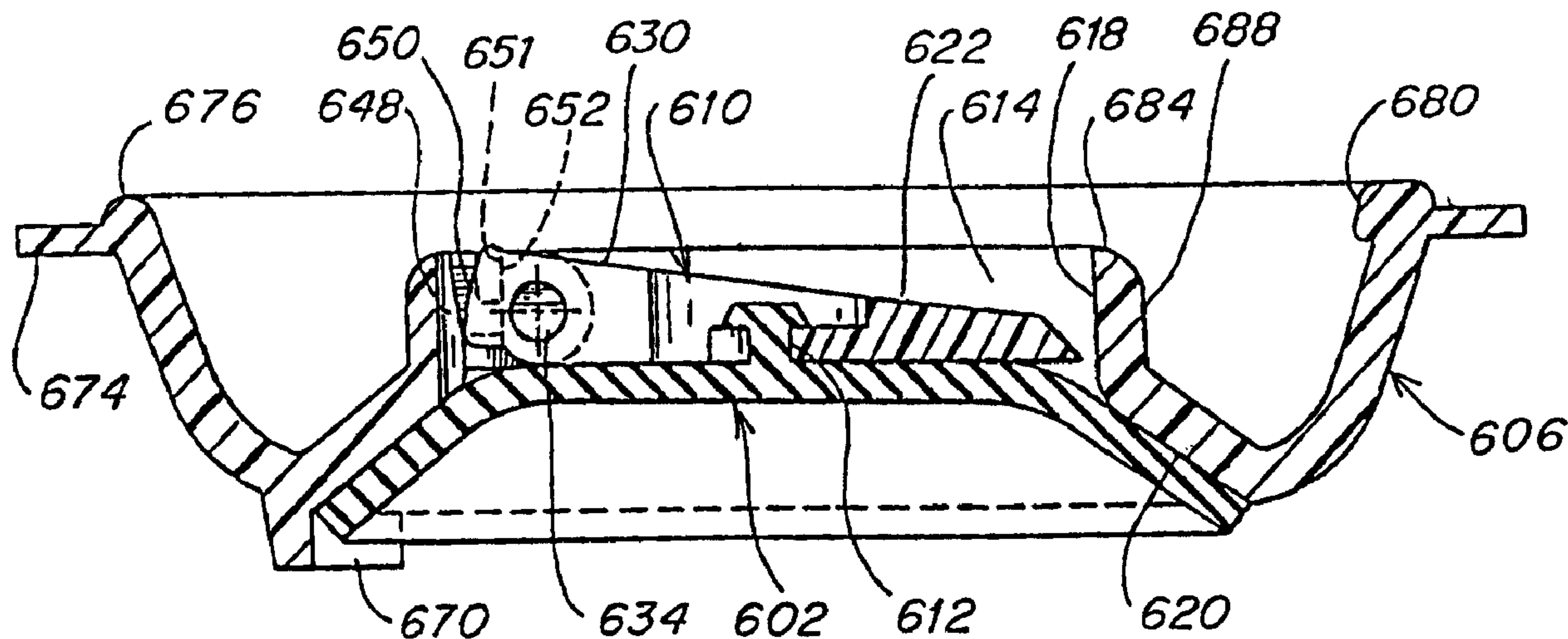




(86) Date de dépôt PCT/PCT Filing Date: 1997/07/14
 (87) Date publication PCT/PCT Publication Date: 1998/01/29
 (45) Date de délivrance/Issue Date: 2008/11/18
 (85) Entrée phase nationale/National Entry: 1999/01/18
 (86) N° demande PCT/PCT Application No.: US 1997/012231
 (87) N° publication PCT/PCT Publication No.: 1998/003810
 (30) Priorité/Priority: 1996/07/19 (US60/022,151)

(51) Cl.Int./Int.Cl. *F16K 15/18* (2006.01),
A47C 27/08 (2006.01), *F16K 15/03* (2006.01),
F16K 15/14 (2006.01), *F16K 15/20* (2006.01),
F16K 31/44 (2006.01)
 (72) Inventeur/Inventor:
 CHAFFEE, ROBERT B., US
 (73) Propriétaire/Owner:
 CHAFFEE, ROBERT B., US
 (74) Agent: SMART & BIGGAR

(54) Titre : VALVE POUR OBJETS GONFLABLES
 (54) Title: VALVE FOR INFLATABLE OBJECTS



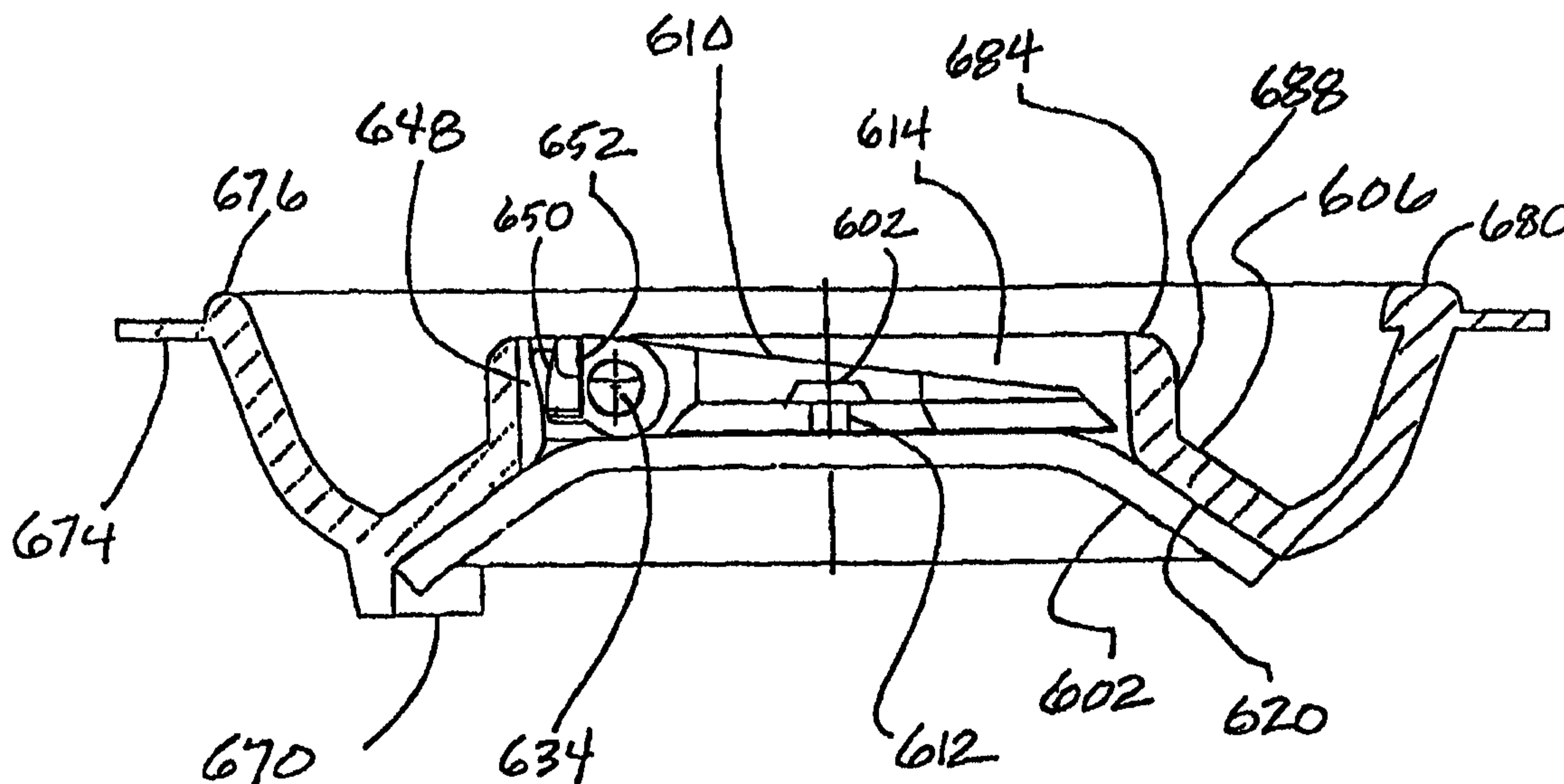
(57) Abrégé/Abstract:

A self sealing valve includes a diaphragm (602) positioned within a valve housing (606) by a movable hanger arm (610) which suspends the diaphragm from a mounting point (612) in the center of an air inlet (614). The hanger arm (610) is a rotating diaphragm hanger that has one end secured adjacent to an inner wall (618) of the air inlet (614) by a pair of pins (634). There is a contoured section (648) between the hinge pins (634) of the inner wall which interfaces with a contoured end (650) to provide for at least four distinct interaction possibilities. A first retains the hanger arm (610) in a valve closed position. A second causes the valve to exhibit a biased closed condition. A third locks the valve open and a fourth facilitates assembly.

PCTWORLD INTELLECTUAL PROPERTY ORGANIZATION
International Bureau

INTERNATIONAL APPLICATION PUBLISHED UNDER THE PATENT COOPERATION TREATY (PCT)

(51) International Patent Classification ⁶ : F16K 15/18, 15/20, 31/44	A1	(11) International Publication Number: WO 98/03810 (43) International Publication Date: 29 January 1998 (29.01.98)
(21) International Application Number: PCT/US97/12231 (22) International Filing Date: 14 July 1997 (14.07.97) (30) Priority Data: 60/022,151 19 July 1996 (19.07.96) US (71)(72) Applicant and Inventor: CHAFFEE, Robert, B. [US/US]; 78 Montgomery Street, Boston, MA 02116 (US). (74) Agent: ANASTASI, John, N.; Wolf, Greenfield & Sacks, P.C., 600 Atlantic Avenue, Boston, MA 02210 (US).	(81) Designated States: AL, AM, AT, AU, AZ, BA, BB, BG, BR, BY, CA, CH, CN, CU, CZ, DE, DK, EE, ES, FI, GB, GE, GH, HU, IL, IS, JP, KE, KG, KP, KR, KZ, LC, LK, LR, LS, LT, LU, LV, MD, MG, MK, MN, MW, MX, NO, NZ, PL, PT, RO, RU, SD, SE, SG, SI, SK, SL, TJ, TM, TR, TT, UA, UG, US, UZ, VN, YU, ZW, ARIPO patent (GH, KE, LS, MW, SD, SZ, UG, ZW), Eurasian patent (AM, AZ, BY, KG, KZ, MD, RU, TJ, TM), European patent (AT, BE, CH, DE, DK, ES, FI, FR, GB, GR, IE, IT, LU, MC, NL, PT, SE), OAPI patent (BF, BJ, CF, CG, CI, CM, GA, GN, ML, MR, NE, SN, TD, TG). Published <i>With international search report.</i> <i>With amended claims.</i> Date of publication of the amended claims: 12 March 1998 (12.03.98)	

(54) Title: VALVE FOR INFLATABLE OBJECTS**(57) Abstract**

A self sealing valve includes a diaphragm (602) positioned within a valve housing (606) by a movable hanger arm (610) which suspends the diaphragm from a mounting point (612) in the center of an air inlet (614). The hanger arm (610) is a rotating diaphragm hanger that has one end secured adjacent to an inner wall (618) of the air inlet (614) by a pair of pins (634). There is a contoured section (648) between the hinge pins (634) of the inner wall which interfaces with a contoured end (650) to provide for at least four distinct interaction possibilities. A first retains the hanger arm (610) in a valve closed position. A second causes the valve to exhibit a biased closed condition. A third locks the valve open and a fourth facilitates assembly.

VALVE FOR INFLATABLE OBJECTS

Field of the Invention

This invention relates to a self-sealing valve and, more particularly, to any low pressure
5 inflatable device that includes the self-sealing valve.

Background of the Invention

U.S. Patents Nos. 5,267,363 (hereinafter the “‘363 patent”) and 5,367,726 (hereinafter the
“‘726 patent”) disclose a valve and a motor for inflating and deflating inflatable objects. Fig. 62
10 illustrates a top view and Fig. 63 illustrates a cross-sectional view of an embodiment of dual-
valve assembly disclosed in the ‘363 and ‘726 patents. The valve includes a flange 152 that may
be mounted to a wall of an inflatable body in a location proximate to a port through which air is
transferred between an interior and an exterior of the inflatable body. The flange 152 has a throat
1521 through which all air passes that is being transferred between the interior and the exterior of
15 the inflatable body. The throat 1521 is defined by a circular rim 1522. In addition, a cover
assembly 153 including a cap 1533 is used to removably cover the throat 1521. A ring-shaped
base 1531 is disposed around an exterior of the circular rim. The cap 1533 is attached to the base
by means of a hinge assembly 1532. The cap may be latched into a closed position by a latching
arrangement including a latch projection 1535 on the cap and latch receptacle 1536 on the base.
20 When the cap is closed, a gasket 1534 is urged against the top 1523 of the rim 1522 so that the
gasket is submitted to compression, to seal the dual-valve assembly.

Disposed within the dual-valve assembly 153 is a valve assembly 154. The valve
assembly includes a diaphragm 1544 and valve stem 1547. The valve stem and the diaphragm
are supported by a valve stem support 1549 which is attached to the cap 1533. The dual-valve
25 assembly also includes a structure defining an inflation input 1542 and a valve seat 1543, that the
diaphragm rests against in a closed position to further form a seal of the dual-valve assembly.
The diaphragm can be accessed by an individual at the inflation input and can be pushed axially
within the dual-valve assembly in a downward direction into an open position by pressing on a
push button 1546. The diaphragm is urged into the closed position when the push button is
30 released by a spring 1548, disposed within the valve stem, that pushes against a portion of the
valve stem support.

Thus, the ‘363 and ‘726 patents disclose a valve that can be used to inflate and deflate an

50860-13

- 2 -

inflatable device wherein the diaphragm moves downward in an axial direction towards an interior of the inflatable device away from the valve seat during inflation and that moves upward in an axial direction towards the valve seat to seal the valve. However, the dual-valve assembly disclosed in the '363 and '726 patents is approximately 4"x5" and therefore requires substantial space for mounting within an inflatable object. However, many inflatable objects cannot accommodate a valve assembly of this size and therefore there is a need for a smaller valve assembly that can be mounted within smaller inflatable objects. In addition, many inflatable devices have a contoured surface and therefore there is a need for a valve that can be mounted on a contoured surface area. Further, the dual-valve of the '363 and '726 patents requires nine separate parts to be manufactured and assembled and therefore is costly and difficult to manufacture, assemble and maintain. Therefore, there is a need for a valve that requires less parts, is cheaper to manufacture and assemble, and is easy to maintain. Moreover, the dual-valve disclosed in the '363 and '726 patents has redundant devices for sealing the valve which contribute to the excessive parts and cost. Therefore, there is a need for a valve that provides a suitable seal that does not require redundant structure to accomplish the self-seal. Still further, since the valve is to be inserted within an inflatable device, there is a need for the valve to be easy to use and easy to clean and/or repair.

Accordingly, it is an object of the present invention to provide a self-sealing valve assembly for use in inflatable devices.

50860-13

2a

Summary of the Invention

According to one aspect of the present invention, there is provided a self-sealing valve, comprising: a valve housing having a fluid inlet defined by an inner wall, the valve housing also having a valve seat facing an interior of the valve housing and the valve housing being configured to require fluid being transferred between the interior and an exterior of the valve housing to pass through the fluid inlet; a valve assembly that selectively covers the fluid inlet to provide a self-seal, including: a hanger arm attached at a first end of the hanger arm to the inner wall of the valve housing via a hinge assembly disposed between the first end of the hanger arm and the inner wall, the hanger arm having a second end that may be moved about a hinge point of the hinge assembly in a first direction from a closed position towards the interior of the valve housing to an open position and that may be moved about the hinge point in a second direction, opposite of the first direction, from the open position towards the exterior of the valve housing to the closed position; a flexible diaphragm having a first surface facing the interior of the valve housing and having a second surface facing the exterior of the valve housing, the flexible diaphragm being mounted to the hanger arm to allow movement of at least a part of a periphery of the flexible diaphragm in the first direction towards the interior of the valve housing away from the valve seat to the open position and to allow movement of the at least the part of the periphery of the flexible diaphragm in the second direction towards the exterior of the valve housing so that the periphery of the flexible diaphragm engages against the valve seat in the closed position to provide the self-seal.

50860-13

2b

According to another aspect of the present invention, there is provided a self-sealing valve, comprising: a valve housing having a fluid inlet defined by an inner wall, the valve housing having a valve seat facing an interior of the valve housing and the valve housing being configured to require fluid being transferred between the interior and an exterior of the valve housing to pass through the fluid inlet; a valve assembly that selectively covers the fluid inlet to provide a self-seal, including: a support member, that suspends a flexible diaphragm in a floating position within the valve housing to allow movement of at least a part of a periphery of the flexible diaphragm in a first direction away from the valve seat to an open position and to allow movement of the at least the part of the periphery of the flexible diaphragm in a second direction, opposite of the first direction, so that the periphery of the flexible diaphragm engages against the valve seat in a closed position; the flexible diaphragm having a first surface facing the interior of the valve housing and having a second surface facing the exterior of the valve housing, the second surface including the periphery of the flexible diaphragm that engages against the valve seat to provide the self-seal; and means for mounting the flexible diaphragm to the support member and for allowing manual movement of the at least the part of the periphery of the flexible diaphragm in the first direction when the self-sealing valve is in a sealed condition, so as to purge the self-sealing valve.

According to still another aspect of the present invention, there is provided a self-sealing valve kit, comprising: a hanger arm including at least one projecting

50860-13

2c

tab at a first end of the hanger arm having a seating hole disposed therein that is configured to mate with a hinge pin; and a flexible diaphragm that can be mounted to the hanger arm.

5 According to yet another aspect of the present invention, there is provided a method of installing a hanger arm and flexible diaphragm within a self-sealing valve housing, comprising the steps of: providing the hanger arm having at least one projecting tab at a first end of the
10 hanger arm including a seating hole disposed therein that is configured to mate with a hinge pin and having the flexible diaphragm mounted to the hanger arm so as to allow movement of at least a part of a periphery of the flexible diaphragm without any movement of the hanger arm; placing the hanger
15 arm and flexible diaphragm into a fluid inlet of the self-sealing valve housing so as to engage the seating hole against the hinge pin mounted on a first surface of a bracket secured to an inner wall of a fluid inlet of the self-sealing valve housing; and pivoting the hanger arm with
20 the flexible diaphragm in a downward direction into and through the fluid inlet of the self-sealing valve housing to a closed position.

 According to a further aspect of the present invention, there is provided a check valve, comprising: a
25 valve housing having a fluid inlet defined by an inner wall, the valve housing having a valve seat facing an interior of the valve housing and the valve housing being configured to require fluid being transferred between the interior and an exterior of the valve housing to pass through the fluid
30 inlet; a valve assembly that selectively covers the fluid inlet including: a support member, that suspends a flexible diaphragm in a floating position within the valve housing

50860-13

2d

to allow movement of at least a part of a periphery of the flexible diaphragm in a first direction away from the valve seat to an open position and to allow movement of the at least the part of the periphery of the flexible diaphragm in
5 a second direction, opposite of the first direction, so that the periphery of the flexible diaphragm engages against the valve seat in a closed position; the flexible diaphragm having a first surface facing the interior of the valve housing and having a second surface facing the exterior of
10 the valve housing, the second surface including the periphery of the flexible diaphragm that engages against the valve seat; and means for mounting the flexible diaphragm to the support member and for allowing manual movement of the at least the part of the periphery of the flexible diaphragm
15 in the first direction, when the check valve is in a sealed condition.

There is also provided a self-sealing valve comprising a valve housing having a fluid inlet defined by an inner wall and a valve seat, the housing configured so
20 that fluid being transferred through the valve passes through the fluid inlet, a valve assembly including a diaphragm having a periphery that selectively covers the fluid inlet and engages against the valve seat to provide a self-seal in a closed position, and a support member
25 suspending the diaphragm in a floating position within the valve housing to allow a non-axial movement of at least a part of the periphery of the flexible diaphragm in a first direction away from the valve seat to an open position and to allow movement of the at least the part of the periphery
30 of the flexible diaphragm in a second direction, opposite of the first direction, so that the periphery of the diaphragm engages against the valve seat in the closed position, wherein the diaphragm is flexible so that when the valve is

50860-13

2e

in use, its periphery deforms to conform to the shape of the valve seat in the closed position.

Another aspect of the invention provides a self-sealing valve, comprising: a valve housing having a fluid
5 conduit, a valve seat, and a support member, the valve housing being configured to pass fluid through the fluid conduit; and a flexible diaphragm that provides a self-seal of the fluid conduit; wherein the support member supports a portion of the flexible diaphragm; and wherein the support
10 member and the flexible diaphragm are configured to position the flexible diaphragm against the valve seat to seal the fluid conduit in a closed position of the self-sealing valve with fluid pressure against a first side of the flexible diaphragm, and to facilitate movement of the flexible
15 diaphragm under a fluid bias against a second side of the flexible diaphragm in a first direction away from the valve seat to an open position; and wherein the valve housing, the support member, and the diaphragm are arranged so that substantially any part of a periphery of the flexible
20 diaphragm may be directly contacted to move at least the part of the periphery of the flexible diaphragm away from the valve seat so as to regulate the transfer of the fluid through the self-sealing valve.

According to one embodiment of the present
25 invention, a self-sealing valve includes a valve housing that has a fluid inlet. The valve housing is configured so that all fluid being transferred between an interior and an exterior of the valve housing passes through the fluid inlet. The self-sealing valve also includes a valve
30 assembly that selectively covers the fluid inlet to provide a self-sealing pneumatic seal. The fluid inlet is defined by an inner wall of the valve housing and the valve housing

50860-13

2f

also includes a valve seat substantially facing the interior of the valve housing. The valve assembly includes a hanger arm attached at a first end of the hanger arm to the inner wall of the valve housing via a hinge assembly disposed
5 between the first end of the hanger arm and the inner wall. The hanger arm has a second end that may be moved about the hinge point of the hinge assembly in a first direction from a closed position towards the interior of the valve housing to an open position and that may also be moved about the
10 hinge

point in a second direction, opposite of the first direction, from the open position to the closed position. The valve assembly further includes a flexible diaphragm having an area larger than an area of the fluid inlet, having a first surface facing the interior of the valve housing and having a second surface facing the exterior of the valve housing. The flexible diaphragm is mounted to the hanger arm to allow movement of at least a part of a periphery of the flexible diaphragm in the first direction towards the interior of the valve housing away from the valve seat to the open position and also to allow movement of at least that part of the periphery of the flexible diaphragm in the second direction so that the periphery of the flexible diaphragm engages against the valve seat in the closed position.

10 This embodiment of the self-sealing valve assembly may be removably attached to a wall of an inflatable body proximate to a port for transferring fluid between an interior and an exterior of the inflatable body so that fluid being transferred between the interior and the exterior of the inflatable body passes through the fluid inlet of the self-sealing valve. With this arrangement, an act of inflation of the inflatable body will cause at least one part of the periphery of the flexible diaphragm and the second end of the hanger arm to move in the first direction into the open position to permit an influx of fluid into the inflatable body. In addition, fluid pressure created within the inflatable body will be sufficient to cause at least that part of the periphery of the flexible diaphragm and the hanger arm to move in the second direction to the closed position when there is an absence of the influx of fluid. In addition, with this arrangement, the self-sealing valve assembly automatically opens to allow pressurization of the inflatable device, automatically closes to retain pressurization of the inflatable device, and maintains a pneumatic seal at low pressures within the inflatable device. Further, the self-sealing valve assembly is easy to use and maintain and the floating diaphragm can be easily manipulated to deflate the inflatable object. Moreover, the self-sealing valve assembly is small and thus can be used in small inflatable objects and/or on contoured surfaces of inflatable devices. Still further, the self-sealing valve has few parts and thus can be manufactured inexpensively.

This embodiment of the self-sealing valve may also be provided with a device for locking the hanger arm and at least a part of the periphery of the flexible diaphragm in a locked open position. In addition, this embodiment may be provided with structure that releases the hanger arm and at least that part of the periphery of the flexible diaphragm from the locked open position to allow the hanger arm and flexible diaphragm to move to the closed position.

This embodiment of the self-sealing valve may also be provided with structure for

reducing any flexing of the flexible diaphragm except for at least that part of the periphery of the flexible diaphragm that moves to the open position.

This embodiment of the self-sealing valve assembly may also be provided with structure for preventing movement of the hanger arm and the flexible diaphragm in the second direction past the closed position such as, for example, out of the fluid inlet.

This embodiment of the self-sealing valve may also be provided with structure for removably connecting the valve to any inflation or deflation device.

This embodiment of the self-sealing valve may also be provided with a cover that is retainably secured to the self-sealing valve, for selectively protecting and exposing the fluid inlet of the self-sealing valve.

This embodiment of the self-sealing valve may also be provided with structure for easily installing and/or removing the hanger arm and the flexible diaphragm combination from the self-sealing valve housing so as to easily fix and/or maintain the self-sealing valve.

Another embodiment of a self-sealing valve according to the present invention includes a valve housing having a fluid inlet defined by an inner wall and a valve assembly that selectively covers the fluid inlet to provide a pneumatic self-seal. The valve housing includes a valve seat facing an interior of the valve housing and the valve housing is configured to require fluid being transferred between the interior and an exterior of the valve housing to pass through the fluid inlet. The valve assembly includes a support member that suspends a flexible diaphragm in a floating position within the valve housing to allow movement of at least a part of a periphery of the flexible diaphragm in a first direction away from the valve seat to an open position and to allow movement of at least that part of the periphery of the flexible diaphragm in a second direction, opposite of the first direction, so that the periphery of the flexible diaphragm engages against the valve seat in a closed position. The flexible diaphragm has a surface area larger than an area of the fluid inlet, has a first surface facing the interior of the valve assembly, and has a second surface facing the exterior of the valve assembly. The second surface of the flexible diaphragm includes the periphery of the flexible diaphragm that engages against the valve seat to provide the pneumatic self-seal. The valve assembly further includes structure for mounting the flexible diaphragm to the support member and for allowing manual movement of at least that part of the periphery of the flexible diaphragm in the first direction into the valve housing so as to purge the self-sealing valve.

This embodiment of the self-sealing valve assembly may be removably attached

PCT/US 97/12221

IPEA/US 19 FEB 1998

- 5 -

to a wall of an inflatable body proximate to a port for transferring fluid between an interior and an exterior of the inflatable body so that all fluid being transferred between the interior and the exterior of the inflatable body passes through the fluid inlet of the self-sealing valve. With this arrangement, an act of inflation of the inflatable body will cause at least that part of the periphery of the flexible diaphragm to move in the first direction into the open position to permit an influx of fluid into the inflatable body. In addition, fluid pressure created within the inflatable body will be sufficient to cause at least that part of the periphery of the flexible diaphragm to move in the second direction to the closed position when there is an absence of the influx of fluid. In addition, with this arrangement, the self-sealing valve assembly automatically opens to allow pressurization of the inflatable device, automatically closes to retain pressurization of the inflatable device, and maintains a pneumatic seal at low pressures within the inflatable device. Further, the self-sealing valve assembly is easy to use and maintain and the floating diaphragm can be easily manipulated to deflate the inflatable object. Moreover, the self-sealing valve assembly is small and thus can be used in small inflatable devices and/or on contoured surfaces of inflatable devices. Still further, the self-sealing valve has few parts and thus can be manufactured inexpensively.

This embodiment of the self-sealing valve may include a hinge assembly disposed between one end of a hanger arm that suspends the flexible diaphragm in the floating position and the inner wall of the valve housing so that the hanger arm and the flexible diaphragm are pivoted in a downward direction into the valve housing to inflate and to purge an inflatable device.

This embodiment of the self-sealing valve may also include a hanger arm attached to the inner wall of the valve housing, the hanger arm having a slot including increased diameter openings at each end of the slot that allow a compressible handle of the flexible diaphragm to be retained within the increased diameter openings or moved in the sideways direction along the slot. This version may also include a spring-mounted hinge disposed between one end of the hanger arm and the inner wall of the valve housing and a latch assembly disposed between a second end of the hanger arm and the inner wall of the valve housing. With this arrangement, the hanger arm and the flexible diaphragm may be moved about the hinge point of the spring-mounted hinge in a direction towards the exterior of the valve assembly when the diaphragm handle has been moved sideways within the slot to one of the increased diameter openings to compress a spring of the spring-mounted hinge and unlatch the latch assembly.

This embodiment of the self-sealing valve may include a retaining rib that extends across the fluid inlet of the valve housing between the valve seat. The retaining rib may include a vertical support post that extends into the fluid inlet towards the exterior of the self-sealing valve. The flexible diaphragm may include a handle disposed on the second surface of the flexible diaphragm and a tapered indentation disposed on the first surface of the flexible diaphragm. The tapered indentation mates with the support post of the retaining rib so that the handle of the flexible diaphragm can be grasped and the periphery of the flexible diaphragm can be pivoted in a downward direction into the valve housing about the support post to deflate an inflatable device.

10 This embodiment of the self-sealing valve may also include at least one rib attached to the inner wall of the valve assembly. The at least one rib may have a slot disposed therein and the diaphragm may have a mating rib projecting from the second surface. The mating rib may have a narrow section that mates with the slot and an enlarged section that secures the diaphragm to the rib. The diaphragm may also include a target area that pivots downward into the valve assembly under pressure applied to the target area to allow for inflation or deflation of an inflatable device.

An embodiment of a method of installing a hanger arm and flexible diaphragm within a self-sealing valve housing according to the invention includes the steps of providing the hanger arm having at least one projecting tab at a first end of the hanger arm including a seating hole disposed therein that is configured to mate with a hinge pin and having the flexible diaphragm mounted to the hanger arm so as to allow movement of at least a part of a periphery of the flexible diaphragm without any movement of the hanger arm. The hanger arm and flexible diaphragm are placed into a fluid inlet of the self-sealing valve housing so as to engage the seating hole against the hinge pin mounted on a first surface of a bracket secured to an inner wall of the fluid inlet. The hanger arm with the flexible diaphragm is pivoted in a downward direction into and through the fluid inlet of the self-sealing valve housing to a closed position. With this arrangement, the self-sealing valve can be easily maintained and a new hanger arm and flexible diaphragm may easily be installed in an existing self-sealing valve housing.

30 A check valve according to an embodiment of the invention includes a valve housing having a fluid inlet defined by an inner wall, the valve housing having a valve seat facing an interior of the valve housing and the valve housing being configured to require fluid being transferred between the interior and an exterior of the valve housing to pass through the fluid

inlet. The check valve also has a valve assembly that selectively covers the fluid inlet. The valve assembly includes a support member, that suspends a flexible diaphragm in a floating position within the valve housing to allow movement of at least a part of a periphery of the flexible diaphragm in a first direction away from the valve seat to an open position and to allow movement of at least that part of the periphery of the flexible diaphragm in a second direction, opposite of the first direction, so that the periphery of the flexible diaphragm engages against the valve seat in a closed position. The valve assembly also includes the flexible diaphragm having an area larger than an area of the fluid inlet, having a first surface facing the interior of the valve housing and having a second surface facing the exterior of the valve housing, the second surface including the periphery of the flexible diaphragm that engages against the valve seat. In addition, the valve assembly includes structure for mounting the flexible diaphragm to the support member and for allowing manual movement of at least that part of the periphery of the flexible diaphragm in the first direction. With this arrangement, the check-valve can be used to seal an inflatable body and to control the flow of the fluid into the inflatable body.

BRIEF DESCRIPTION OF THE DRAWINGS

Other objects and features of the present invention will become apparent from the following detailed description when taken in connection with the following drawings. It is to be understood that the drawings are for the purpose of illustration only and are not intended as a definition of the limits of the invention.

The foregoing and other objects and advantages will be more fully appreciated from the following drawing in which:

Figs. 1-2 are cross-sectional side views of a first embodiment of a self-sealing valve attached to an inflatable body according to the present invention, wherein a diaphragm is in a sealed position;

Fig. 3 is a front cross-sectional view taken along line 3-3 of Fig. 2 of the valve of Figs. 1 and 2 illustrating an inflatable body being inflated;

Figs. 4 and 5 are a side cross-sectional view and a front cross-sectional view, respectively, corresponding to the valve of Fig. 1 illustrating the valve in the closed position under internal pressure of the inflatable device;

Figs. 6-7 are a front cross-sectional view and side cross-sectional view, respectively, of the valve of Fig. 1 illustrating deflation;

Figs. 8 and 9 are a top view and a cross-sectional side view, respectively, illustrating a

second embodiment of a self-sealing valve according to the invention;

Figs. 10 and 11 are a cross-sectional front view and top view of the second embodiment, including a protective cover;

Figs. 12-16 are cross-sectional side views that show the second embodiment in respective
5 states of operation including seated, unseated, at rest, and during inflation;

Figs. 17-19 are cross-sectional views of a third embodiment of a self-sealing valve according to the invention;

Figs. 20 and 21 are a top view and a cross-sectional side view, respectively, of the third embodiment, wherein a diaphragm is not installed;

10 Figs. 22 and 23 are a top and a side view, respectively, of the diaphragm used with the valve of Fig. 17;

Figs. 24 and 25 are a top view and a cross-sectional side view, respectively, of the valve housing of a fourth embodiment of a self-sealing valve according to the invention;

15 Figs. 26-28 are a top, end, and side cross-sectional view, respectively, of a diaphragm hanger arm of the fourth embodiment;

Figs. 29-32 are a pair of top and cross sectional side views, showing the valve of Fig. 24 in two states of operation, seated and unseated;

Figs. 33-36 are cross-sectional side views showing the valve of Fig. 24 in four states of operation including inflation, seated, pressure control, and deflation, respectively;

20 Figs. 37-39 are an end, a top, and a cross-sectional side view of a valve housing of a fifth embodiment of a self-sealing valve according to the invention;

Figs. 40 and 41 are a top and a side view of a diaphragm hanger arm of the valve of Fig. 37;

25 Figs. 42 and 43 are a top and a cross-sectional side view of the valve of Fig. 37, showing a housing, the hanger arm, and a diaphragm;

Figs. 44-47 are cross-sectional side views showing the valve of Fig. 37 in four states of operation including inflation, seated, pressure control, and deflation, respectively;

30 Figs. 48 and 49 illustrates a sixth embodiment of a self-sealing valve according to the invention, with a top view and a cross-sectional side view, respectively, the side view showing the valve in a seated condition;

Figs. 50 and 51 illustrate the valve of Figs. 48 and 49 in two states of operation, inflation and deflation, respectively;

- 9 -

Figs. 52-54 are cross-sectional side views illustrating a seventh and preferred embodiment of self-sealing valve according the invention with cross-sectional side views showing the valve in three states of operation including seated, pressure control, and deflation, respectively;

5 Figs. 55 and 56 are top views of the valve of Fig. 52, showing the valve without and with the hanger arm and diaphragm, respectively;

Figs. 57 and 58 show a portion of an inlet wall not mated and a hanger arm, respectively, of the valve of Fig. 52;

10 Fig. 59 illustrates a portion of an inlet wall and the hanger arm of the valve of Fig. 52 in an operating position;

Fig. 60 is a top view showing the hanger arm of the valve of Fig. 52 in a locked open position;

Fig. 61 illustrates the hanger arm of the valve of Fig. 52 during installation into the valve housing;

15 Figs. 62 illustrates a top view of a self-sealing valve of the related art;

Fig. 63 illustrates a cross-sectional view of a self-sealing valve according to the related art; and

Fig. 64 illustrates an inflatable device in which any of the embodiments of the self-sealing valve of the present invention may be used.

Detailed Description

20 A self-sealing valve of the present invention can be mounted within an inflatable object such as, for example, an inflatable mattress 12 having a self-sealing valve 10 as illustrated in Fig. 64. The mattress can be inflated, deflated, and a pressure of the mattress can be controlled using any of the self-sealing valves of the present invention disclosed infra. Although in the examples and description of the various embodiments of the self-sealing valve that follow, the description of inflation of the inflatable object refers to the use of air, it is to be appreciated that any suitable fluid may be used for inflation such as, for example, water or nitrogen, and that the use of such fluid with the self-sealing valve of the invention is within the scope of the invention. It is also to be appreciated that although a mattress is illustrated as an inflatable body for which any of the valves of the present invention may be used, the self-sealing valves may be used with any inflatable body such as, for example; inflatable furniture or sporting items such as chairs, mattresses and pillows; inflatable safety devices such as life preservers, barriers, bumpers, and

30

5 pads; inflatable medical devices such as supports, casts and braces; inflatable luggage devices such as padding and luggage lining materials; inflatable recreational devices such as swimming aids, floats, tubes and rings; inflatable vehicles and vehicle components such as boats, rafts and tires; inflatable support structures such as buildings, portable enclosures, platforms, ramps and the like.

It is further to be appreciated that any of the valves disclosed infra according to the present invention can be used in connection with a motor such as that described in U.S. Patent No. 5,267,363, (hereinafter the "363 patent") and U.S. Patent No. 5,367,726 (hereinafter the "726 patent") which are herein expressly incorporated by reference. Moreover it is to be appreciated that a preferred operating range of the self-sealing valves of the present invention is between approximately 0-10.0 psi. Further, according to the present invention a range of about 0-1.0 psi is defined as a low pressure range, a range of approximately 1.0-2.0 psi is defined as a medium pressure range and a range of approximately 2.0-10.0 psi is defined as a relatively high pressure range. It is to be appreciated that the preferred operating range has been defined to be up to 10.0 psi, any pressure above 10.0 psi at which the valve still provides a self-seal is intended to be within the scope of this invention

Referring to FIG. 1, a valve 10 is seated in an inflatable object 12 that has an outer shell 14 that defines an interior 16. The interior is filled with a fluid or gas, typically air. Valve 10 has a molded plastic frame 20 that includes a circular flanged outer periphery 22 that is generally coplanar with shell 14. Preferably the valve is constructed of PVC or polyurethane, however, a more rigid and stronger material may be used for higher pressure applications. A valve wall 24 having a diameter less than that of outer periphery 22 defines a circular opening 26 through which air is transferred to and from the interior. At its outermost, the opening has a diameter that is preferably about one inch or greater. The wall 24 has a constant diameter portion 25 and an outwardly tapered portion 28 that increases the diameter of the opening to a circular, increased diameter portion 30. The upper edge of wall 24 has a radiused inner edge at its outermost end for comfort in case the object is inflated orally.

A retaining rib 36 extends across a diameter of increased diameter portion 30. Centrally located on the retaining rib is a vertical support post 38 which extends toward the circular opening 26. A floating diaphragm 40 rests on the support post. The diaphragm has a centrally located handle 42 at a top side, and a tapered indentation 44 on a bottom side that mates with support post 38. Thus, the rib provides stability and limits movement of the diaphragm toward

the interior. Diaphragm 40 is generally circular, deformable, very flexible, and has a diameter that is slightly less than the inner diameter of the increased diameter region 30, and greater than the diameter of portion 25. Tapered portion 28 has an inwardly facing wall 29 that serves as a shoulder against which outer periphery 46 of the diaphragm may contact. Indentation 44 and
5 support post 38 help keep the diaphragm centered.

Diaphragm 40 may optionally be connected to frame 20 through a tether 48, which may just be a flexible wire or sling other than this optional tether. The diaphragm is preferably not otherwise rigidly connected to any part of the rest of the valve.

Referring to FIGS. 2 and 3, the valve is illustrated during inflation. Referring first to
10 FIG. 3, which is a view taken at 90° relative to FIGS. 1 and 2, air is provided along arrows 50. The air may be supplied by a motor, as with a hand or foot pump, or orally or with some other inflating device. The motor can be similar to the motor described in my U.S. Patent No. 5,267,363. Because of the flexibility of diaphragm 40, periphery 46 bends relative to centered handle 42. As air is provided into the object, the diaphragm automatically bends inward, without
15 additional user input, to allow the air flow into the interior of the object.

FIGS. 4 and 5 are views corresponding to FIGS. 2 and 3, respectively, when the inflatable object is under pressurization with air pressure represented by arrows 60. When air is no longer provided and the interior is under pressure, the pressure automatically pushes diaphragm 40 away from support post 38 so that periphery 46 is pressed against wall 29 of tapered section 28 of the
20 frame. The diaphragm thus seated forms a hermetic seal when pressed against the frame. A cap 64 rib, or other rigid member can be further provided for slightly higher pressure situations, or in order to provide greater security against air loss. The cap may have a tether 65 to prevent the cap from being lost. The cap helps to form a hermetic seal since the handle of the diaphragm contacts the cap when the object is under pressure, thus also helping prevent deformation by the
25 diaphragm. The cap may be a snap-on type, similar to the type commonly used with plastic milk containers. For a more durable seal, the cap may incorporate an O-ring (not shown) to provide a seal in conjunction with the diaphragm serving as a check valve. Various other cap attachment means, may be used such as a bayoneted fitting, etc.

FIGS. 6 and 7 illustrate views of valve 10 during deflation. To deflate, a user grasps
30 handle 42 with two fingers and squeezes the flexible diaphragm to allow air to escape as indicated by arrow 62. This action lifts the diaphragm off the support post. To reduce the pressure, the user can push directly on the diaphragm to allow some air to escape. The user

PCT/US 97/12231
PCT/US 19 FEB 1998

- 12 -

could entirely deflate this way, but it would be more time-consuming than removing the diaphragm. If a cap is used, it would first be removed.

According to the present invention, the valve automatically opens to accommodate pressurization and automatically closes to retain pressurization. In order to depressurize and
5 deflate, a user can very easily grasp the diaphragm and can remove it outwardly through the inlet. At low pressurization, it is not necessary to have an additional cap, but at higher pressurization, a cap might be useful and may be necessary.

Figures 8-16 illustrate another embodiment of a self-sealing valve 75 of the invention intended for use with any low to medium pressure inflatable device. As in the previously
10 described embodiment, the valve is self-sealing, allows both rapid inflation and deflation, and provides simple, ready means of adjusting and controlling pressurization of an inflatable device.

Similar to the valve in Figure 1, the valve employs a valve housing 78 with a wide orifice, circular air inlet passage defined by a rim 79 which is centrally located within the housing. The rim's inner wall 84 opens to the underside of the valve housing which widens to
15 provide a valve seat 81 for valve diaphragm 88. The valve housing's outermost edge 89 has a flanged periphery to accommodate attachment to a bladder or membrane 77 of an inflatable device.

The valve diaphragm 88 is deformable and has a centrally located, upwardly extending handle 96 with a projecting rim 108. Contained within the opening of the air inlet is a diaphragm
20 hanger 80, secured to the wall 84 of the inlet at one end (Point A) and latched to the opposing wall at the other end (Point B). The hanger spans the width of the inner wall 84 and secures the floating diaphragm 88 within the valve housing. The hanger does not restrict movement at the periphery of the diaphragm, so that the outer periphery 92 can flex downward during inflation, removal, and re-insertion.

The diaphragm handle 96 is captured within slot 100 in the hanger. The slot allows a
25 continuum of positions. There are two positions for the diaphragm, one at each end of the slot, where its handle 96 sits in openings of increased diameter (102 & 103). At opening 102, centered in the valve housing, the diaphragm is captured loosely. In situations requiring inflating of substantial volume and pressure, the diaphragm automatically moves downward to maximize
30 airflow (see Figure 16) and upward to a sealed position following inflation (see Figure 12).

While the hanger allows the diaphragm to move vertically within the inlet for proper inflation and sealing, it also prevents excessive vertical lifting of the diaphragm during periods of

PCT/US 7/1/124/4
IPEA/US 19 FEB 1998

- 13 -

increased pressure within the inflatable device.

Fingertip action on the diaphragm's handle 96 will urge the diaphragm to slide sideways within slot 100 to the off-center opening 103 (see Figure 13). This opening is located near the end of the hanger, where the hanger is rigidly attached to the inner wall of the air inlet (Point A).

5 Adjacent to this point of attachment, the hanger incorporates a spring-mounted hinge 112 which, in response to further pressure in the same sideways direction as is required to move the diaphragm from the center position to the off-center position, causes the hanger to be unlatched. As the hanger is unlatched, the diaphragm is unseated, thereby allowing deflation of the inflatable device (see Figures 14 & 15).

10 When the diaphragm rotates out of the air inlet, it contacts the walls of the inlet and flexes inward assuming a "U" profile. When rotated back into the housing, the diaphragm returns to its original shape.

The handle 96 on the diaphragm has a projecting annular surface 140 that restricts the free vertical movement of the floating diaphragm. It prevents the diaphragm from dropping
15 away from the valve seat under its own weight and serves as a lock (or check valve) to maintain the diaphragm in the sealed position even in the absence of air pressure within the device. This feature is of particular importance during manual inflating where the injecting of air may be intermittent. The locked position (see Figure 12) prevents air loss that can occur between breaths or between strokes of a pump. In the locked position, the diaphragm cannot drop suddenly if
20 pressure within the inflatable device falls to a level where it cannot support the weight of the floating diaphragm, thereby preventing sudden, rapid air loss.

Under certain conditions, setting the diaphragm in the unlocked (unsealed) position (as shown in Figure 16) prior to inflation can improve inflation efficiency. With the use of a low pressure, high volume, steady-state inflation source, the unlocked position can increase airflow.

25 Since the area immediately below the diaphragm is unobstructed the bottom of the diaphragm is accessible through the flexible membrane of the inflatable device, providing means for moving the diaphragm from the unlocked to the locked position.

The latching end of the hanger may have an opening 144 to support a cylindrical plunger 148. Upon pressurization of the inflatable device, the plunger slides vertically within the hole
30 and is forced upward as the diaphragm rises to the sealed position. The plunger can be manually forced down (i.e. via fingertip) to temporarily interrupt the seal. Thus, a user can effect small air releases for the purpose of adjusting pressure within the device. Alternatively, any other area

PCT/US 97/12231

- 14 -

IPEA/US 19 FEB 1998

within the air inlet that allows access (such as, for example, fingertip access) to the diaphragm may be used for such a purpose, wherein the diaphragm is temporarily unseated by direct contact of a fingertip.

Figs. 17-23 illustrate another embodiment of a self-sealing valve of the invention, which is intended for use in any low to medium pressure inflatable device. Similar to the previously described embodiments, the valve is self-sealing, allows both rapid inflation and deflation, and provides a simple ready means of adjusting and controlling pressurization of an inflatable device.

The valve employs a valve housing 200 with a wide orifice, circular air inlet passage defined by a wall 204 which is centrally located in the housing. The wall 204 opens to the underside of the valve housing which widens to provide a valve seat 208 for a valve diaphragm 212. The outer rim 216 of the valve housing accommodates attachment to the film or membrane which comprises the inflatable device.

The valve combines the wide-orifice inlet with a fixed diaphragm hanger 220. The diaphragm hanger consists of a configuration of inwardly extending ribs 228 rigidly attached to the inner wall 224 of the air inlet, to which the valve diaphragm is removably attached, and from which the diaphragm is suspended and located within the valve housing.

The hanger rib configuration forms a generally extending Y-shaped hanger 220 with ribs that radiate inward from the air inlet inner wall to the center of the inlet passage. Proximate the upper access, the single ribs extend at an angle, in parallel juxtaposition, to create the third spoke. Juxtapositioning these ribs creates a space, or slot 232, between the ribs, into which a mating rib 236 projecting from the top surface of the diaphragm is inserted to secure the diaphragm into position. At the point where the hanger ribs are juxtaposed, the ribs assume an opposing "L" shape profile, leaving the bottom of the slot 239 narrower than the top of the slot. The widened section of the slot 240 accepts an enlarged area 244 projecting at the top of the mating diaphragm rib, creating a "hanger" from which the diaphragm is suspended, thereby securing a vertical alignment of the valve diaphragm and the valve housing.

Horizontal alignment is achieved by interlocking the valve diaphragm 212 in the hanger slot 232. A constriction 248 near the end of the slot, formed by projections in the slot, captures the enlarged area 244 of the mating diaphragm rib and prevents horizontal movement of the diaphragm during operation.

Near the center of the valve diaphragm 212, an additional enlargement 252 to the surface of the diaphragm rib provides limited interference with the hanger slot 232, holding the

PCT/US 97/12231
IP/EA/US 19 FEB 1998

- 15 -

diaphragm in a closed (substantially sealed) position and preventing the valve diaphragm from drooping or flexing downward under its own weight, away from the valve seat. For purposes of inflation and deflation, this interference is easily overridden. External air pressure during inflation will force the diaphragm out of the closed position. Fingertip pressure on the target area
5 256, initiates deflation and will also override the interference.

The enlargement 252 near the center of the diaphragm rib has an additional function. The limited interference works in both directions. In addition to holding the valve diaphragm 212 in a closed position, it also holds the diaphragm in an open position 260, away from the valve seat during deflation. During deflation the enlargement interferes with the bottom of the hanger so as
10 to prevent upward movement of the diaphragm, maintaining the valve in the open position.

Fingertip pressure on the target area 256 can be employed to temporarily interrupt the seal and allow controlled release of the air, providing a simple means of adjusting pressurization of the inflatable device. The valve self-seals upon removing the fingertip pressure.

For installation and replacement of the valve diaphragm 212, the diaphragm is inserted
15 into or removed from the diaphragm hanger 220 through the exterior of the air inlet orifice.

The ribs are configured to securely position the diaphragm within the valve housing and to provide maximum air flow through the air inlet orifice. The ribs are also configured to allow the diaphragm to be manually deflected for temporary interruption of the air seal.

For more substantial air release, such as during deflation, the ribs and diaphragm are
20 additionally configured so that with further manual depression of the diaphragm the diaphragm will be moved to a point where it will be held in a partially open position, facilitating air release.

The diaphragm is secured with the operating position at a point 264. The point works in combination with an interlocking lip in the diaphragm 268 to secure a closed position regardless of the internal pressure of the inflatable device. For rapid inflation, with maximum airflow, if the
25 lip on the diaphragm is in the locked position, it can be manually unlocked by pressing the diaphragm into the orifice at the point 256. Upon pressurization, the diaphragm automatically moves to the locked position. During temporary interruption of the seal, the diaphragm will normally stay in the locked position. For maximum air release during deflation, further deflection of the diaphragm will move it into an unlocked position 260.

30 In an alternative configuration of the valve housing, the outer rim of the air inlet is a removable component and may be separated from the valve housing. The removable rim itself will accommodate various internal configurations according to the pressurization/performance

PCT/US 97/12231
IPEA/US 19 FEB 1998

- 16 -

requirements of the device the valve is used with.

Fig 24-36 illustrate another embodiment of the self-sealing valve of the invention. The diaphragm (300) is positioned within the valve housing (304) by a movable horizontal arm (312) which suspends the diaphragm in the center of the air inlet (308). This arm, a rotating diaphragm hanger (312), is removably contained within the air inlet of the valve housing, with one end secured laterally, adjacent to the inside wall (316) of the air inlet. The point of attachment is configured to allow the hanger to pivot downward into the valve housing, a motion which unseats the valve diaphragm and opens the airpath into the bladder as required for both inflation and deflation of an inflatable device.

10 The hanger flares outward towards the inner wall of the air inlet creating a "paddle" surface (320) which overspreads much of the air inlet. The expanded horizontal surface of the paddle provides stability to the surface of the flexible diaphragm (300) as it rotates back and forth from the seated to an unseated position. The paddle also enhances manipulation of the hanger (by fingertip) for pressure control. The paddle as shown in the drawings has a continuous surface at its perimeter. Alternative paddle configurations are being considered which employ a more open paddle structure, such as for example, radiating ribs, etc are intended to be within the scope of this disclosure.

20 The pivot point (324) includes a hinge "pin" (328) suspended via a pair of ribs (329) from the underside of the pivoting hanger (312) and a surface with a mating recess (332) formed on the inside walls (336) of a pair of fixed arms (340) which extend horizontally inward from the inside wall (316) of the air inlet.

The pivot point works in combination with surface projections extending from both the valve housing and the hanger arm to:

25 A) restrict movement of the valve diaphragm to prevent outward movement of the valve diaphragm into the air inlet (as may occur under pressurization), or to prevent rotation of the diaphragm through the valve housing into the inflatable device.

B) secure the diaphragm alternatively in an open and a closed position.

30 C) suspend the hanger and diaphragm in a substantially closed position while allowing both to flutter from a partially open to a sealed condition in response to external or internal pressure.

To accomplish (A), the vertical rear edge (356) of the pair of ribs (329) suspending the hinge pin (328) bear on the inside wall of the air inlet at Point F (360), preventing the hanger

from rotating upward beyond a horizontal position. Downward rotation of the hanger is restricted by the pair of fixed arms (340), as they bear on the underside of the top of the hanger (see Figure 32).

In certain applications, additional support may be necessary in order to accomplish (A).
5 Point L (364) may be added at various locations around the inside perimeter of the air inlet. It includes an overhanging projection extending inward from the inner wall of the air inlet which bears on the perimeter of the paddle surface of the rotating hanger.

To accomplish (B), a second pair of projections (368), extending from the inner side walls of the rotating hanger removably engage with the tabs (372) integral to the fixed arms
10 (340). Once in a downward (open) orientation, interference created by the tab and mating projection prevents the hanger from freely rotating back to the horizontal position, thus maintaining the valve in an open position in order to facilitate deflation. This interference may easily be overridden, either manually (by pressing through the bladder's flexible membrane upward on the bottom of the diaphragm) or by pressurization (internal air pressure resulting from
15 full inflation or compression of the bladder).

The projections and opposing surface work in combination with a spring action integral to the fixed arms (340). The spring action, a lateral flexure resulting from the slim vertical profile of the arms, allows the arms to flex inward. In doing so, the combined width of the arms compress, overriding the interference created by the projection and opposing surface. The ability
20 of the fixed arms to flex laterally in this manner enables the hanger (and the diaphragm) to be removably secured in both an open and a closed position.

The drawings (see Figs. 31 and 32) illustrate the above described flexure. Alternative sources of flexure, in keeping with the general valve configuration disclosed here, have been considered: flexure within the rotating hanger could either supplement or replace the spring
25 action of the fixed arms.

To accomplish (C), the projections 368 located on the inner side walls of the hanger have an inclined surface. When pressure is applied and the hanger rotates downward, the incline forces the pair of fixed arms to compress (employing the arms' spring action). With removal of pressure, the spring arm returns to its natural position. As it returns, it bears on the incline and
30 lifts the hanger (and diaphragm) back to a horizontal (sealed) position. The ability of the valve to freely flex in this manner facilitates the following:

1) increases the efficiency of manual inflation. As manual inflation involves a

DOT/US 97/12231

IPEA/US 19 FEB 1998

- 18 -

pulsed injection of air, it is important the valve automatically seal between pulses (preventing air loss); and

2) allows adjustment (control) of pressurization. To enable controlled releases of air while the device is in use, it is important that the hanger be both accessible and that it move
5 freely to facilitate partial opening of the diaphragm (finger tip actuation) and automatic sealing of the diaphragm thereafter.

The pair of ribs (329), containing the segmented hinge "pin", extend downward from the underside of the top surface of the hanger. Sideways flexure of these ribs provides means for attachment or removal of the hanger from the valve housing. When the hanger is in operating
10 position (hinged and open), sideways movement of the top surface of the hanger at Point M results in an inward flexing of the ribs, allowing the hinge "pin" to move away from the mating surface on the fixed arms, and thus dislodging it from the hinge point. The inward flexing occurs as the hinge "pin", with its curved outer edge, slides over the pin's mating surface at Point U. A
15 radius softened edge at Points V combines with the pin's curved outer edge to reduce interference and allow removal and insertion of the hanger.

Reversing this sideways motion causes the "pin" to engage. The ribs containing the hinge "pin" again flex inward, allowing the pin to move into the hinged position.

Removal and insertion of the hanger (and the valve diaphragm) would not be part of the normal operation of the valve, occurring only upon the installation of a new hanger or diaphragm
20 into the valve housing, or as a maintenance function.

1. Figs 37-47 illustrate still another embodiment of the self-sealing valve of the invention. In a simplified version of the valve of Figs. 24-36, the diaphragm is also positioned within the valve housing (400) by a movable horizontal arm (404) which suspends a valve diaphragm in the center of the valve housing's air inlet. As in the valve
25 of Figs. 24-36, this arm, a rotating diaphragm hanger, is removably contained within the air inlet (408) of the valve housing, with one end secured laterally, to the inside wall (412) of the air inlet. As in the valve of Figs. 24-36, the point of attachment is configured to allow the hanger to pivot downward into the valve housing, unseating the valve diaphragm and opening the airpath into the bladder as required for both inflation and
30 deflation of an inflatable device.

As in the valve of Figs. 24-36, the rotating diaphragm hanger includes a paddle surface (416) concentric with the air inlet and overspreading a substantial portion of the inlet.

Serving as the valve diaphragm (420), a circular disc made of a flexible, air impermeable material, is suspended from the center of the paddle surface. A hole configuration (422) allows the circular flange (423) projecting from the center of the top of the diaphragm to pass through the underside of the rotating arm and lock the diaphragm in suspension.

5 Two parallel ribs (424) extending from the paddle surface to a slotted section (428) in the rim (432) of the air inlet include hinge pins (436) which mate with a recessed area (440) located in either sidewall (444) of the slot, thus defining a pivot point.

Between the ribs, running parallel with them, a leaf spring member (448) extends from the center of the paddle surface to the wall of the air inlet. Bearing on an angled surface (452) 10 recessed in the wall of the inlet, the spring is configured to hold and maintain the rotating arm (and the attached valve diaphragm) in a horizontal position while allowing both to rotate downward into the valve housing upon inflation or deflation.

Another rib (456), integral to the rim of the valve housing, running perpendicular to and just above the parallel ribs of the rotating arm, serves as a barrier and prevents the rotating arm 15 from rotating upward beyond a horizontal position.

As the arm rotates, the end (460) of the leaf spring moves in a recessed area (461), which includes angle (452). This area and the end of the spring provide a combined configuration which:

- 1) allows the rotating arm to rotate inward with the application of pressure and return to 20 the horizontal position when pressure is removed (see Figures 44 and 45), and
- 2) removably engages with the rib, such engagement causing the rotating arm to maintain the valve in an open condition in order to facilitate deflation (see Figs. 46 and 47), and
- 3) restricts downward motion of the rotating arm into the valve housing (see Figure 47).

So configured, it is envisioned that the valve will operate in essentially the same way as 25 the valve of Figs. 24-36.

A further variation of the self-sealing valve of the invention is illustrated in Figs. 48-51 and involves a flexible diaphragm supported in a fixed location within the valve housing, located so as to allow the outer diameter of the diaphragm to seat against the mating surface of the valve housing and provide a complete hermetic seal subsequent to inflation, the seal resulting solely 30 from outward pressure due to pressurization within the inflated bladder, this pressure forcing the diaphragm to maintain a seated condition (See Figure 49).

Likewise, inward pressure during inflation causes the flexible diaphragm to separate from

PCT/US 97/12231
IPEA/US 19 FEB 1998

- 20 -

the valve seat, providing a pathway for infusing the device with air (See Figure 50).

For controlled air release and for deflation, the location of the diaphragm further allows manual partial deflation of the diaphragm away from the valve seat, providing a pathway for exhausting air (See Figure 51).

5 The difference between this version of the valve and the previously described version is that the point (or points) of attachment of the valve diaphragm within the valve housing maintain a fixed location with respect to the valve seat. The functionality of the valve diaphragm relies upon a fixed location at the point (points) of attachment while employing the flexibility of the unattached surface of the diaphragm to alternatively provide a seal or an air pathway.

10 A preferred version of the self-sealing valve of the invention is illustrated in Figs. 52-61. A diaphragm 602 is positioned within a valve housing 606 by a movable hanger arm 610 which suspends the diaphragm from mounting point 612 in the center of an air inlet 614. The hanger arm is a rotating diaphragm hanger that is removably contained within the air inlet of the valve housing, with one end secured adjacent to an inner wall 618 of the air inlet. A point of
15 attachment of the one end of the hanger arm to the inner wall is configured to allow the hanger arm to pivot downward into the valve housing, a motion which unseats the diaphragm from valve seat 620, a closed position, and opens an airpath, an open position, into a bladder of the inflatable device as required for both inflation and deflation of the inflatable device.

The hanger arm 610 flares outward towards the inner wall of the air inlet creating a
20 "paddle" surface 622 which overspreads much of the air inlet 614. The paddle surface of the hanger arm provides stability to the flexible diaphragm as it rotates with the hanger arm from the closed position to the open position. The expanded paddle surface of the hanger arm also enhances manipulation of the hanger arm by, for example, a fingertip of a user to, for example, control a pressure of the inflatable device. The paddle surface projects outward to a point 626,
25 extending the length of the hanger arm. This projection bears upon the flexible diaphragm, thereby preventing it from flexing upward when the hanger arm is pressed downward for pressure control or deflation.

Referring to Fig. 58, the hanger arm incorporates a pair of projecting tabs 630, in parallel juxtaposition, extending from the paddle surface 622 towards the inner wall 618 of the air inlet
30 614. The hanger arm can be secured within the air inlet by seating holes 633 found in each of the projecting tabs with a pair of hinge "pins" 634 that mate with the seating holes. The pair of hinge "pins" are formed as part of the inner walls of the air inlet, projecting from two brackets

FORM 97/1223 1

PEA/IS 19 FEB 1998

- 20/1 -

636 which extend inward from the inner wall towards the center of the air inlet. There is a contoured section 648 between the hinge "pins" of the inner wall of at least one of the brackets and the inner wall of the air inlet. The contoured section interfaces with a contoured end 650 of

the projecting tabs to provide at least four distinct interaction possibilities. A first possibility exists when surface 651 on the projecting tabs bears on surface 652 of the inner wall, restricting rotation of the arm above a horizontal position, thereby securing the valve diaphragm in a substantially closed position and preventing the hanger arm and diaphragm from moving out of the valve housing.

A second possibility exists when beveled surface 655 on the projecting tab bears on counter-beveled surface 656 on the wall. An inclined angle of this counter-beveled surface causes the projecting tab to increasingly compress inward as the hanger arm is pressed downward into the valve housing. This may occur both during inflation (by air pressure) and deflation (by manual deflection of the hanger arm to unseat the valve from the valve seat). The compression of the projecting tab also results in a counter action, so that, with removal of the downward pressure the tab "springs" back to its original position and forces the hanger arm and diaphragm to return to the closed position.

Referring to Fig. 60, a third interaction possibility exists when the hanger arm is depressed fully, the projecting tabs rotate slightly beyond the beveled surface 656 (See Fig. 57) on the inner wall to a point where there is a recess 660 in the inner wall contour which is configured to allow the tabs to expand slightly and lock the rotating arm in a locked open position.

This locked open position maximizes airflow through the valve housing and will, under certain conditions, improve efficiency of both inflation and deflation. The locked open position has an easy override which responds to, for example, fingertip manipulation (by applying pressure at, for example, projecting point 664 on the projecting tab), or to internal pressurization of the inflatable device.

The projecting tabs of the rotating arm may also be extended by a channel 666 within the hanger arm to enhance side-to-side flexure of the hanger arm. The flexure of the hanger arm may be used both for the operation of the arm, as previously described, and for installation and removal of the arm into and out of an operating position within the valve housing as illustrated in Fig. 59. It is useful that the hanger arm be removable/reinstallable in the field by the user, thus it is contemplated that the arm will be held by the user (with the attached diaphragm) and that the user will employ the flexure of the projecting tabs by "squeezing" the projecting tabs, to install and/or remove the hanger arm and diaphragm. The contoured end 650 of the projecting tabs, combines with the contoured section 648 of the inner wall to allow the arm to be inserted above

PCT/US 97/12231

FEB 19 1998

- 22 -

the horizontal position into the valve housing as illustrated in Fig. 61, thereby improving accessibility and ease of installation of the arm. During installation, the "squeezed" hanger arm may be inserted in a vertical orientation with the projecting tabs projected into the air inlet towards the hinge "pins" 634. With alignment of the seating holes and hinge "pins", the user
5 will release pressure on the projecting tabs, whereby they will spring outward and engage with the hinge "pins". As the hanger arm and diaphragm are then rotated downward into the valve housing beyond the horizontal position, the projecting tabs will further expand, seating the hanger arm in the operating position, where the hanger arm contoured end 650 and the contoured inner wall 648 prevent movement of the hanger arm above the horizontal position.

10 It is also to be appreciated that for the purpose of installation of the hanger arm and diaphragm, the projecting tabs contoured end and the contoured section of the inner wall will combine so as to, at least for part of the installation, automatically compress the projecting tabs as the hanger arm is "slid" by the user into position, thereby eliminating any requirement for "squeezing" the hanger arm.

15 It is further contemplated that the projecting tabs contoured end and the contoured section of the inner wall will combine so as to locate the seating holes and hinge "pins" in alignment without requiring that the user visually direct the movement of the hanger arm to the point of alignment.

20 Thus, the pivot point, and the contour of the hanger arm projecting tabs work in combination with the contoured section of the inner wall to stabilize the activity of the valve diaphragm within the valve housing so as:

- A) to restrict movement of the diaphragm thereby preventing outward movement of the diaphragm into or through the air inlet (as may occur with pressurization), and preventing inward movement of the diaphragm through the valve housing into the inflatable device;
- 25 B) to secure the diaphragm alternatively in an open and a closed position;
- C) to suspend the diaphragm in a substantially closed position while allowing it to flutter from a partially open to a sealed condition in response to external or internal pressure; and
- D) to facilitate installation and removal of the rotating arm and diaphragm by the user.

30 An alternative version of this embodiment of the self-sealing valve incorporates a partial rib 670 projecting from the bottom side of the valve housing, concentric with, and adjacent to a portion of the edge of the flexible diaphragm. As the diaphragm flexes downward (or inward),

device is automatic and done under the internal pressure of the inflatable device so that each of the above-described valves is self-sealing.

Each of the above-described self-sealing valves also lack any structure below the flexible diaphragm, or in other words, each of the above self-sealing valves suspend the flexible
5 diaphragm in a floating position with a structural member. It is an advantage of each of the above self-sealing valves that the valves allow unrestricted flexure of the diaphragm during inflation thereby increasing air flow.

Each of the above-described self-sealing valves also are easy to use since they automatically open and automatically seal in response to an influx of air and are normally biased
10 to a closed position, and can also be biased to the closed position in response to pressure within an object to be inflated. In addition, the flexible diaphragm of each of the above-described self-sealing valves can be easily manipulated so that the inflatable object can be deflated or a pressure within the inflatable object can be controlled.

Having described several embodiments of the self-sealing valve of the present invention,
15 it should be apparent to those skilled in the art that other variations, features, and modifications can be made without departing from the scope of the present invention. For example, the size of the opening can be varied in order to accommodate the size of the object to be inflated. For example, in order to provide air to an inflatable building, such as a tennis bubble, the opening may be very large as compared to a valve for use with for example, an inflatable pillow. The
20 valve may also be provided with an extension tube for connection over the opening 26 to facilitate manual or oral inflation.

What is claimed is:

50860-13

25

CLAIMS:

1. A self-sealing valve, comprising:

a valve housing having a fluid inlet defined by an inner wall, the valve housing also having a valve seat
5 facing an interior of the valve housing and the valve housing being configured to require fluid being transferred between the interior and an exterior of the valve housing to pass through the fluid inlet;

a valve assembly that selectively covers the fluid
10 inlet to provide a self-seal, including:

a hanger arm attached at a first end of the hanger arm to the inner wall of the valve housing via a hinge assembly disposed between the first end of the hanger arm and the inner wall, the hanger arm having a second end that
15 may be moved about a hinge point of the hinge assembly in a first direction from a closed position towards the interior of the valve housing to an open position and that may be moved about the hinge point in a second direction, opposite of the first direction, from the open position towards the
20 exterior of the valve housing to the closed position;

a flexible diaphragm having a first surface facing the interior of the valve housing and having a second surface facing the exterior of the valve housing, the flexible diaphragm being mounted to the hanger arm to allow
25 movement of at least a part of a periphery of the flexible diaphragm in the first direction towards the interior of the valve housing away from the valve seat to the open position and to allow movement of the at least the part of the periphery of the flexible diaphragm in the second direction

50860-13

- 26 -

towards the exterior of the valve housing so that the periphery of the flexible diaphragm engages against the valve seat in the closed position to provide the self-seal.

2. The self-sealing valve as claimed in claim 1,
5 further comprising a container body having an interior, an exterior, a port for transferring fluid between the interior and the exterior and a wall separating the interior and the exterior, and wherein the valve housing is attached to the wall proximate to the port of the container so that fluid
10 being transferred between the interior and the exterior of the container passes through the fluid inlet of the self-sealing valve.

3. The self-sealing valve as claimed in claim 2,
wherein the hanger arm and the flexible diaphragm are
15 constructed and arranged so that influx of fluid into the container is sufficient to cause at least one of the at least the part of the periphery of the flexible diaphragm to move in the first direction into the open position to permit an influx of fluid into the container; and

20 so that a force of a fluid pressure created within the container is sufficient to cause at least one of the at least the part of the periphery of the flexible diaphragm and the second end of the hanger arm to move in the second direction to the closed position when the force of the fluid
25 pressure within the container is greater than a force of the influx of fluid into the container so that the outer periphery of the flexible diaphragm is engaged against the valve seat and so that the valve assembly provides the self-seal.

30 4. The self-sealing valve as claimed in claim 1, further comprising a locking means for locking the hanger

50860-13

- 27 -

arm and the at least the part of the periphery of the flexible diaphragm in a locked open position.

5. The self-sealing valve as claimed in claim 4, further comprising a releasing means for releasing the hanger arm and the at least the part of the periphery of the flexible diaphragm from the locked open position to allow the hanger arm and the at least the part of the periphery of the flexible diaphragm to move in the second direction to the closed position.

10 6. The self-sealing valve as claimed in claim 1, further comprising a stiffening means for reducing any flexing of the flexible diaphragm except for the at least the part of the periphery of the flexible diaphragm.

7. The self-sealing valve as claimed in claim 1, further comprising a means for preventing movement of the hanger arm and the flexible diaphragm in the second direction through the fluid inlet past the closed position.

8. The self-sealing valve as claimed in claim 1, further comprising a means for preventing movement of the flexible diaphragm, except for the at least the part of the periphery of the flexible diaphragm, in the first direction towards the interior of the valve housing.

9. The self-sealing valve as claimed in claim 1, further comprising a means for maintaining the hanger arm and the flexible diaphragm in the closed position when there is an absence of an influx of fluid into the valve housing or an absence of fluid pressure within the container.

50860-13

- 27a -

10. The self-sealing valve as claimed in claim 1 further comprising a means for connecting and disconnecting the valve housing to a fluid injection, release, or pressure control device.

5 11. The self-sealing valve as claimed in claim 1 further including a protective cover assembly that selectively covers and exposes the fluid inlet of the valve housing.

12. The self-sealing valve as claimed in claim 1,
10 further comprising a means for one of removing and attaching the valve assembly to the valve housing.

13. The self-sealing valve as claimed in claim 1,
further comprising a means for maintaining the flexible diaphragm within the valve housing during any one of fluid
15 injection, release, pressure control and self-sealing of the valve.

14. The self-sealing valve as claimed in claim 1,
further comprising:

a bracket rigidly mounted to the inner wall of the
20 fluid inlet, the bracket having a hinge pin on a first surface of the bracket;

a projecting tab at the first end of the hanger arm having a seating hole disposed therein that engages against the hinge pin; and

25 a surface disposed on the inner wall that engages against the projecting tab of the hanger arm to restrict movement of the hanger arm above a horizontal position.

15. The self-sealing valve as claimed in claim 14,
further comprising an angular surface projecting from the

50860-13

- 27b -

first surface of the bracket that engages against the projecting tab of the hanger arm to increasingly move the projecting tab of the hanger arm as the second end of the hanger arm and the at least the part of the periphery of the flexible diaphragm are increasingly urged in the first direction toward the interior of the valve housing into the open position, the angular surface and the projecting tab acting so as to urge the second end of the hanger arm and

PCT/US 97/12231
IPEA/US 19 FEB 1998

- 28 -

the at least the part of the periphery of the flexible diaphragm to move in the first direction to the closed position.

16. The self-sealing valve as claimed in claim 15, further comprising a recess disposed within
5 the first surface of the bracket that engages the projecting tab of the hanger arm when the second end of the hanger arm and the at least the portion of the periphery of the flexible diaphragm are moved in the first direction to a locked open position and that hold the hanger arm and the at least the portion of the periphery of the flexible diaphragm in the locked open position.

10 17. The self-sealing valve as claimed in claim 1, further comprising a rib projecting from the valve seat of the valve housing that engages against at least a portion of the outer periphery of the flexible diaphragm so that when the flexible diaphragm is urged in the first direction the rib provides resistance against the hanger arm and flexible diaphragm being moved in the first
15 direction and urges the hanger arm and the flexible diaphragm in the second direction to the closed position.

18. The self-sealing valve as claimed in claim 1, wherein the self-sealing valve assembly comprises two pieces, the hanger arm and the flexible diaphragm.

20 19. The self-sealing valve as claimed in claim 1, wherein the flexible diaphragm is suspended from the hanger arm so that no structure exists under the flexible diaphragm.

20. The self-sealing valve as claimed in claim 1, wherein the valve housing is flush mounted within the wall of the container so that an exterior surface of the valve housing and the valve
25 assembly are either substantially coplanar with or beneath the wall of the container.

21. The self-sealing valve as claimed in claim 1, wherein the hanger arm is attached to the inner wall of the valve housing so that movement of the at least the part of the periphery of the flexible diaphragm and the second end of the hanger arm in the first direction and in the second
30 direction is non-axial movement.

22. The self-sealing valve as claimed in claim 1, wherein the fluid inlet and the valve

50860-13

29

assembly enable a high volume of fluid transfer over a low pressure range between the interior and the exterior of the valve housing.

23. The self-sealing valve as claimed in claim 20,
5 wherein the valve housing is a single piece that includes a lip disposed about a perimeter of the valve housing and that may be directly attached to the container wall.

24. The self-sealing valve as claimed in claim 1,
wherein the self-sealing valve is constructed and arranged
10 so that any part of the valve assembly may be contacted to regulate the transfer of the fluid between the interior and the exterior of the self-sealing valve.

25. The self-sealing valve as claimed in claim 1,
wherein the valve housing and the valve assembly are
15 constructed and arranged so that the valve assembly has a plurality of interactive positions with the valve housing.

26. The self-sealing valve as claimed in claim 1,
wherein the valve assembly and the valve housing are
constructed and arranged so that the valve assembly may be
20 removed and replaced with another valve assembly.

27. A self-sealing valve, comprising:

a valve housing having a fluid inlet defined by an inner wall, the valve housing having a valve seat facing an interior of the valve housing and the valve housing being
25 configured to require fluid being transferred between the interior and an exterior of the valve housing to pass through the fluid inlet;

a valve assembly that selectively covers the fluid inlet to provide a self-seal, including:

50860-13

29a

a support member, that suspends a flexible diaphragm in a floating position within the valve housing to allow movement of at least a part of a periphery of the flexible diaphragm in a first direction away from the valve seat to an open position and to allow movement of the at least the part of the periphery of the flexible diaphragm in a second direction, opposite of the first direction, so that the periphery of the flexible diaphragm engages against the valve seat in a closed position;

10

the flexible diaphragm having

50860-13

- 30 -

a first surface facing the interior of the valve housing and having a second surface facing the exterior of the valve housing, the second surface including the periphery of the flexible diaphragm that engages against the valve seat to
5 provide the self-seal; and

means for mounting the flexible diaphragm to the support member and for allowing manual movement of the at least the part of the periphery of the flexible diaphragm in the first direction when the self-sealing valve is in a
10 sealed condition, so as to purge the self-sealing valve.

28. The self-sealing valve as claimed in claim 27, further comprising a means for maintaining the flexible diaphragm within the valve housing during any one of fluid injection, release, pressure control and self-sealing of the
15 valve.

29. The self-sealing valve as claimed in claim 27, further comprising a container having an interior, an exterior, a port for transferring fluid between the interior and the exterior, and a wall separating the interior and the
20 exterior, and wherein the valve housing is attached to the wall proximate to the port of the container so that fluid being transferred between the interior and the exterior of the container passes through the fluid inlet of the valve housing.

25 30. The self-sealing valve as claimed in claim 2 or 29, wherein the valve housing has a first part that includes a lip disposed about a perimeter of the valve housing and that may be directly attached to the container wall, and a second part that may be attached to the first
30 part and that includes the valve seat and the fluid inlet.

50860-13

- 30a -

31. The self-sealing valve as claimed in claim 29, wherein the support member and the flexible diaphragm are constructed and arranged so that an act of fluid injection into the container is sufficient to cause the at least the
5 part of the periphery of the flexible diaphragm to move in the first direction into the open position to permit an influx of fluid into the container.

32. The self-sealing valve as claimed in claim 31, further comprising:

10 a means for maintaining the flexible diaphragm in the closed position in absence of one of fluid pressure within the container and fluid injection into the container.

33. The self-sealing valve as claimed in claim 27, further comprising a stiffening means for

reducing a flexing of the flexible diaphragm except for the at least the part of the periphery of the flexible diaphragm.

34. The self-sealing valve as claimed in claim 27, wherein the support member includes a hinge assembly disposed between one end of a hanger arm that suspends the flexible diaphragm in the floating position and the inner wall of the valve housing so that the hanger arm and the flexible diaphragm are pivoted in a downward direction into the valve housing.

35. The self-sealing valve as claimed in claim 27, wherein the support member includes a hanger arm attached to the inner wall of the valve housing, the hanger arm having a slot including increased diameter openings at each end of the slot that allow a compressible handle of the flexible diaphragm to be any one of retained within the increased diameter openings and moved in the sideways direction along the slot; and

a spring mounted hinge disposed between one end of the hanger arm and the inner wall of the valve housing and a latch assembly disposed between a second end of the hanger arm and the inner wall of the valve housing so that the hanger arm and the flexible diaphragm may be moved about a hinge point of the hinge in a direction towards the exterior of the valve assembly when the diaphragm handle has been moved sideways within the slot to one of the increased diameter openings to compress a spring of the spring mounted hinge and unlatch the latch assembly.

36. The self-sealing valve as claimed in claim 27, wherein the support member includes a retaining rib that extends across the fluid inlet of the valve housing between the valve seat, the retaining rib including a vertical support post which extends into the fluid inlet towards the exterior; and

the flexible diaphragm includes a handle disposed on the second surface of the flexible diaphragm and a tapered indentation disposed on the first surface of the flexible diaphragm that mates with the support post of the retaining rib so that the handle of the flexible diaphragm can be grasped and the periphery of the flexible diaphragm can be pivoted in a downward direction into the valve housing about the support post.

37. The self-sealing valve as claimed in claim 27, wherein the support member includes at least one rib rigidly attached to the inner wall of the valve assembly, the at least one rib having a

50860-13

- 32 -

slot disposed therein and wherein the diaphragm has a mating rib projecting from the second surface, the mating rib having a narrow section that mates with the slot and an enlarged section that secures the diaphragm to the at least one rib, the diaphragm also including a target area that pivots downward into the valve assembly under pressure applied to the target area.

38. The self-sealing valve assembly as claimed in claim 37, further comprising a locking means for locking the target area of the flexible diaphragm in a locked open position to further enhance purging of the self-sealing valve.

39. The self-sealing valve as claimed in claim 27, wherein the self-sealing valve assembly is comprised of two pieces, a hanger arm and the flexible diaphragm.

40. The self-sealing valve as claimed in claim 27, wherein the flexible diaphragm is suspended from the support member so that no structure exists under the flexible diaphragm.

41. The self-sealing valve as claimed in claim 29, wherein the valve housing is flush mounted to the wall of the container so that an exterior surface of the valve housing and the valve assembly are either substantially coplanar with or beneath the wall of the container.

42. The self-sealing valve as claimed in claim 27, wherein the valve assembly and valve housing are constructed and arranged to provide non-axial movement of the at least the part of the periphery of the flexible diaphragm in the first direction and in the second direction.

50860-13

- 33 -

43. The self-sealing valve as claimed in claim 27, wherein the valve housing and the valve assembly are constructed and arranged so that a fluid pressure created within the container is sufficient to maintain the at least
5 the part of the periphery of the flexible diaphragm against the valve seat when there is an absence of the influx of fluid.

44. The self-sealing valve as claimed in claim 27, wherein the fluid inlet and the valve assembly enable a high
10 volume of fluid transfer over a low pressure range between the interior and the exterior of the valve housing.

45. The self-sealing valve as claimed in claim 41, wherein the valve housing is a single piece that includes a lip disposed about a perimeter of the valve housing and that
15 may be directly attached to the container wall.

46. The self-sealing valve as claimed in claim 27, wherein the self-sealing valve is constructed and arranged so that any part of the valve assembly may be contacted to regulate the transfer of the fluid between the interior and
20 the exterior of the self-sealing valve.

47. The self-sealing valve as claimed in claim 27, wherein the valve housing and the valve assembly are constructed and arranged so that the valve assembly has a plurality of interactive positions with the valve housing.

25 48. The self-sealing valve as claimed in claim 1, wherein the valve assembly and the valve housing are constructed and arranged so that the valve assembly may be removed and replaced with another valve assembly.

49. A self-sealing valve kit, comprising:

50860-13

- 34 -

a hanger arm including at least one projecting tab at a first end of the hanger arm having a seating hole disposed therein that is configured to mate with a hinge pin; and

5 a flexible diaphragm that can be mounted to the hanger arm.

50. A method of installing a hanger arm and flexible diaphragm within a self-sealing valve housing, comprising the steps of:

10 providing the hanger arm having at least one projecting tab at a first end of the hanger arm including a seating hole disposed therein that is configured to mate with a hinge pin and having the flexible diaphragm mounted to the hanger arm so as to allow movement of at least a part
15 of a periphery of the flexible diaphragm without any movement of the hanger arm;

placing the hanger arm and flexible diaphragm into a fluid inlet of the self-sealing valve housing so as to engage the seating hole against the hinge pin mounted on a
20 first surface of a bracket secured to an inner wall of a fluid inlet of the self-sealing valve housing; and

pivoting the hanger arm with the flexible diaphragm in a downward direction into and through the fluid inlet of the self-sealing valve housing to a closed
25 position.

51. A check valve, comprising:

a valve housing having a fluid inlet defined by an inner wall, the valve housing having a valve seat facing an interior of the valve housing and the valve housing being
30 configured to require fluid being transferred between the

50860-13

35

interior and an exterior of the valve housing to pass through the fluid inlet;

a valve assembly that selectively covers the fluid inlet including:

5 a support member, that suspends a flexible diaphragm in a floating position within the valve housing to allow movement of at least a part of a periphery of the flexible diaphragm in a first direction away from the valve seat to an open position and to allow movement of the at
10 least the part of the periphery of the flexible diaphragm in a second direction, opposite of the first direction, so that the periphery of the flexible diaphragm engages against the valve seat in a closed position;

the flexible diaphragm having a first surface
15 facing the interior of the valve housing and having a second surface facing the exterior of the valve housing, the second surface including the periphery of the flexible diaphragm that engages against the valve seat; and

means for mounting the flexible diaphragm to the
20 support member and for allowing manual movement of the at least the part of the periphery of the flexible diaphragm in the first direction, when the check valve is in a sealed condition.

52. A self-sealing valve comprising a valve housing
25 having a fluid inlet defined by an inner wall and a valve seat, the housing configured so that fluid being transferred through the valve passes through the fluid inlet, a valve assembly including a diaphragm having a periphery that selectively covers the fluid inlet and engages against the
30 valve seat to provide a self-seal in a closed position, and

50860-13

36

a support member suspending the diaphragm in a floating position within the valve housing to allow a non-axial movement of at least a part of the periphery of the flexible diaphragm in a first direction away from the valve seat to an open position and to allow movement of the at least the part of the periphery of the flexible diaphragm in a second direction, opposite of the first direction, so that the periphery of the diaphragm engages against the valve seat in the closed position, wherein the diaphragm is flexible so that when the valve is in use, its periphery deforms to conform to the shape of the valve seat in the closed position.

53. The self-sealing valve as claimed in claim 52 wherein the support member is attached both to the valve housing proximate the fluid inlet and to the flexible diaphragm.

54. The self-sealing valve as claimed in claim 52 wherein the flexible diaphragm includes a hinge portion to allow a movement of at least a first part of the periphery of the flexible diaphragm in the first direction while a second part of the periphery of the flexible diaphragm engages the valve seat.

55. The self-sealing valve as claimed in claim 52 wherein the flexible diaphragm includes an inner region bounded by its periphery that extends across and covers the fluid inlet, the support member being configured so as to support the inner region of the flexible diaphragm in its floating position within the valve housing.

56. The self-sealing valve as claimed in claim 52 or claim 55 wherein the flexible diaphragm is suspended from

50860-13

37

the support member so that no structure exists under the flexible diaphragm.

57. The self-sealing valve as claimed in any one of claims 52 to 56 further comprising a means for mounting the flexible diaphragm in the first direction when the self-sealing valve is in a sealed condition so as to purge the self-sealing valve.

58. The self-sealing valve as claimed in any one of claims 52 to 57 wherein the support member includes a hanger arm attached at a first end of the hanger arm to the inner wall of the valve housing via a hinge assembly disposed between the first end of the hanger arm and the inner wall, the hanger arm having a second end that may be moved about a hinge point of the hinge assembly in a first direction from a closed position towards the interior of the valve housing to an open position and that may be moved about the hinge point in a second direction, opposite of the first direction, from the open position towards the exterior of the valve housing to the closed position, the flexible diaphragm being mounted to the hanger arm to allow movement of at least a part of a periphery of the flexible diaphragm in the first direction towards the interior of the valve housing away from the valve seat to the open position and to allow movement of the at least the part of the periphery of the flexible diaphragm in the second direction towards the exterior of the valve housing so that the periphery of the flexible diaphragm engages against the valve seat in the closed position to provide the self-seal.

59. The self-sealing valve as claimed in claim 58 further comprising a bracket rigidly mounted to the inner wall of the fluid inlet, the bracket having a hinge pin on a

50860-13

38

first surface of the bracket, a projecting tab at the first end of the hanger arm having a seating hole disposed therein that engages against the hinge pin, and a surface disposed on the bracket that engages against the projecting tab of the hanger arm to restrict movement of the hanger arm above a horizontal position.

60. The self-sealing valve as claimed in claim 59 further comprising an angular surface projecting from the first surface of the bracket that engages against the projecting tab of the hanger arm to increasingly move the projecting tab of the hanger arm as the second end of the hanger arm and that at least the part of the periphery of the flexible diaphragm are increasingly urged in the first direction toward the interior of the valve housing into the open position, the angular surface and the projecting tab acting so as to urge the second end of the hanger arm and the at least the part of the periphery of the flexible diaphragm to move in the first direction to the closed position.

61. The self-sealing valve as claimed in claim 60 further comprising a recess disposed within the first surface of the bracket that engages the projecting tab of the hanger arm when the second end of the hanger arm and the at least the portion of the periphery of the flexible diaphragm are moved in the first direction to a locked open position and that hold the hanger arm and that at least the portion of the periphery of the flexible diaphragm in the locked open position.

62. The self-sealing valve as claimed in any one of claims 58 to 61 further comprising a rib projecting from the valve seat of the valve housing that engages against at

50860-13

39

least a portion of the outer periphery of the flexible diaphragm so that when the flexible diaphragm is urged in the first direction the rib provides resistance against the hanger arm and flexible diaphragm being moved in the first direction and urges the hanger arm and the flexible diaphragm in the second direction to the closed position.

63. The self-sealing valve as claimed in any one of claims 58 to 62 further comprising a means for preventing movement of the hanger arm and the flexible diaphragm in the second direction through the fluid inlet past the closed position.

64. The self-sealing valve as claimed in any one of claims 58 to 63 wherein the self-sealing valve assembly is comprised of two pieces, the hanger arm and the flexible diaphragm.

65. The self-sealing valve as claimed in claim 58 further comprising a locking means for locking the hanger arm and the at least the part of the periphery of the flexible diaphragm in a locked open position.

66. The self-sealing valve as claimed in claim 65 further comprising a releasing means for releasing the hanger arm and the at least the part of the periphery of the flexible diaphragm from the locked open position to allow the hanger arm and the at least the part of the periphery of the flexible diaphragm to move in the second direction to the closed position.

67. The self-sealing valve as claimed in claim 58 further comprising a container having an interior, an exterior, a port for transferring fluid between the interior and the exterior, and a wall separating the interior and the

50860-13

40

exterior, and wherein the valve housing is attached to the wall proximate to the port of the container so that fluid being transferred between the interior and the exterior of the container passes through the fluid inlet of the valve housing.

68. The self-sealing valve as claimed in claim 67 wherein the support member and the flexible diaphragm are constructed and arranged so that injection of fluid into the container is sufficient to cause the at least the part of the periphery of the flexible diaphragm to move in the first direction into the open position to permit an influx of fluid into the container.

69. The self-sealing valve as claimed in claim 67 or claim 68 wherein the support member and the flexible diaphragm are constructed and arranged so that a fluid pressure created within the container is sufficient to cause the at least the part of the periphery of the flexible diaphragm to move in the second direction to the closed position when there is an absence of the influx of fluid so that the outer periphery of the flexible diaphragm engages against the valve seat and so that the valve assembly provides the seal.

70. The self-sealing valve as claimed in any one of claims 65 to 69 further comprising means for maintaining the flexible diaphragm in the closed position in absence of one of fluid pressure within the container and fluid injection into the container.

71. The self-sealing valve as claimed in any one of claims 67 to 70 wherein the valve housing is flush mounted to the wall of the container so that an exterior surface of the valve housing and the valve assembly are either

50860-13

41

substantially coplanar with or beneath the wall of the container.

72. The self-sealing valve as claimed in any one of claims 67 to 71 wherein the valve housing is a single piece
5 having a first part that includes a lip disposed about a perimeter of the valve housing and that may be directly attached to the container wall and a second part that includes the valve seat and the fluid inlet.

73. The self-sealing valve as claimed in any one of
10 claims 52 to 72 further comprising a means for connecting and disconnecting the valve housing to a fluid injection, release or pressure control device.

74. The self-sealing valve as claimed in any one of claims 52 to 73 further comprising a means for maintaining
15 the flexible diaphragm within the valve housing during any one of fluid injection, release, pressure control and self-sealing of the valve.

75. The self-sealing valve as claimed in any one of claims 52 to 74 wherein the fluid inlet and the valve
20 assembly enable a high volume of fluid transfer over a low pressure range between the interior and the exterior of the valve housing.

76. The self-sealing valve as claimed in any one of claims 52 to 75 wherein the self-sealing valve is
25 constructed and arranged so that any part of the valve assembly may be contacted to regulate the transfer of the fluid between the interior and the exterior of the self-sealing valve.

77. The self-sealing valve as claimed in any one of
30 claims 52 to 76 wherein the valve housing and the valve

50860-13

42

assembly are constructed and arranged so that the valve assembly has a plurality of interactive positions with the valve housing.

78. The self-sealing valve as claimed in any one of
5 claims 52 to 77 further comprising means for preventing movement of the flexible diaphragm, except for the at least the part of the periphery of the flexible diaphragm, in the first direction towards the interior of the valve housing.

79. The self-sealing valve as claimed in any one of
10 claims 52 to 78 further comprising a stiffening means for reducing a flexing of the flexible diaphragm except for the at least the part of the periphery of the flexible diaphragm.

80. The self-sealing valve as claimed in any one of
15 claims 52 to 79 further including a protective cover assembly that selectively covers and exposes the fluid inlet of the valve housing.

81. The self-sealing valve as claimed in any one of
claims 52 to 57 wherein the support member includes a hanger
20 arm attached to the inner wall of the valve housing, the hanger arm having a slot including increased diameter openings at each end of the slot that allow a compressible handle of the flexible diaphragm to be any one of retained within the increased diameter openings and moved in the
25 sideways direction along the slot and a spring mounted hinge disposed between one end of the hanger arm and the inner wall of the valve housing and a latch assembly disposed between a second end of the hanger arm and the inner wall of the valve housing so that the hanger arm and the flexible
30 diaphragm may be moved about a hinge point of the hinge in a direction towards the exterior of the valve assembly when

50860-13

43

the diaphragm handle has been moved sideways within the slot to one of the increased diameter openings to compress a spring of the spring mounted hinge and unlatch the latch assembly.

5 82. The self-sealing valve as claimed in claim 52 wherein the support member includes a retaining rib that extends across the fluid inlet of the valve housing between the valve seat, the retaining rib including a vertical support post which extends into the fluid inlet towards the
10 exterior and the flexible diaphragm includes a handle disposed on the second surface of the flexible diaphragm and a tapered indentation disposed on the first surface of the flexible surface of the flexible diaphragm that mates with the support post of the retaining rib so that the handle of
15 the flexible diaphragm can be grasped and the periphery of the flexible diaphragm can be pivoted in a downward direction into the valve housing about the support post.

83. The self-sealing valve as claimed in claim 52 wherein the support member includes at least one rib rigidly
20 attached to the inner wall of the valve assembly, the at least one rib having a slot disposed therein and wherein the diaphragm has a mating rib projecting from the second surface, the mating rib having a narrow section that mates with the slot and an enlarged section that secures the
25 diaphragm to the at least one rib, the diaphragm also including a target area that pivots downward into the valve assembly under pressure applied to the target area.

84. The self-sealing valve assembly as claimed in claim 83 further comprising a locking means for locking the
30 target area of the flexible diaphragm in a locked open

50860-13

44

position to further enhance the purge of the self-sealing valve.

85. The self-sealing valve as claimed in any one of claims 52 to 84 wherein the valve is a check valve.

5 86. The self-sealing valve as claimed in any one of claims 52 to 85 wherein the valve assembly and the valve housing are constructed and arranged so that the valve assembly may be removed and replaced with another valve assembly.

10 87. A self-sealing valve, comprising:

a valve housing having a fluid conduit, a valve seat, and a support member, the valve housing being configured to pass fluid through the fluid conduit; and

15 a flexible diaphragm that provides a self-seal of the fluid conduit;

wherein the support member supports a portion of the flexible diaphragm; and

20 wherein the support member and the flexible diaphragm are configured to position the flexible diaphragm against the valve seat to seal the fluid conduit in a closed position of the self-sealing valve with fluid pressure against a first side of the flexible diaphragm, and to facilitate movement of the flexible diaphragm under a fluid bias against a second side of the flexible diaphragm in a
25 first direction away from the valve seat to an open position; and

wherein the valve housing, the support member, and the diaphragm are arranged so that substantially any part of a periphery of the flexible diaphragm may be directly

50860-13

45

contacted to move at least the part of the periphery of the flexible diaphragm away from the valve seat so as to regulate the transfer of the fluid through the self-sealing valve.

5 88. The self-sealing valve as claimed in claim 87, further comprising a container having an interior, an exterior, a wall separating the interior and the exterior, and a port in the wall for transferring fluid between the interior and the exterior, and wherein the valve housing is
10 attached to the wall of the container so that fluid being transferred between the interior and the exterior of the container passes through the fluid conduit of the valve housing.

89. The self-sealing valve as claimed in claim 88,
15 wherein the valve housing, the support member and the diaphragm are configured to maintain the diaphragm at a valve seat side of the valve housing.

90. The self-sealing valve as claimed in claim 88, wherein the valve housing has a first part disposed about a
20 perimeter of the valve housing and that may be attached to the container wall, and a second part coupled to the first part that includes the valve seat and the fluid conduit.

91. The self-sealing valve as claimed in claim 88, wherein the valve housing, the support member and the
25 diaphragm are arranged so that an act of fluid injection of sufficient pressure into the container causes the diaphragm to move in the first direction into the open position to permit an influx of fluid into the container.

92. The self-sealing valve as claimed in claim 91,
30 wherein the valve housing, the support member and the

50860-13

46

diaphragm are configured to maintain the diaphragm in the closed position absent external forces.

93. The self-sealing valve as claimed in claim 88, wherein the valve housing is flush mounted to the wall of the container so that the valve housing is either
5 substantially coplanar with or beneath the wall of the container.

94. The self-sealing valve as claimed in claim 88, wherein the valve housing, the support member and the
10 diaphragm are arranged so that a sufficient fluid pressure created within the container maintains the diaphragm against the valve seat in an absence of an influx of fluid.

95. The self-sealing valve as claimed in claim 88, wherein the valve housing comprises a lip disposed about a
15 perimeter of the valve housing that may be directly attached to the container wall.

96. The self-sealing valve assembly as claimed in claim 87, further comprising a locking device that is constructed to allow the diaphragm to be placed into a
20 locked open position.

97. The self-sealing valve as claimed in claim 96, further comprising a releasing tab that can be contacted to release the locking device.

98. The self-sealing valve as claimed in claim 87,
25 wherein the valve housing, the support member and the diaphragm are arranged to provide non-axial movement of the diaphragm in a direction not substantially along an axis of the fluid inlet, in the first direction and in the second direction.

50860-13

47

99. The self-sealing valve as claimed in claim 87, wherein the valve housing, the support member and the diaphragm are arranged to provide axial movement of the diaphragm substantially along an axis of the fluid conduit,
5 in the first direction and in the second direction.

100. The self-sealing valve as claimed in claim 87, wherein the valve housing, the support member and the diaphragm are arranged to provide a high volume of fluid transfer over a low pressure range through the fluid
10 conduit.

101. The self-sealing valve as claimed in claim 87, wherein the valve housing, the support member and the diaphragm are arranged so that the diaphragm has a plurality of interactive positions with the valve housing.

15 102. The self-sealing valve as claimed in claim 87, further comprising an interface for connecting and disconnecting the valve housing to a fluid control device.

103. The self-sealing valve as claimed in claim 87, wherein the flexible diaphragm is suspended from the support
20 member so that substantially no structure exists under the flexible diaphragm.

SMART & BIGGAR

OTTAWA, CANADA

PATENT AGENTS

1/27

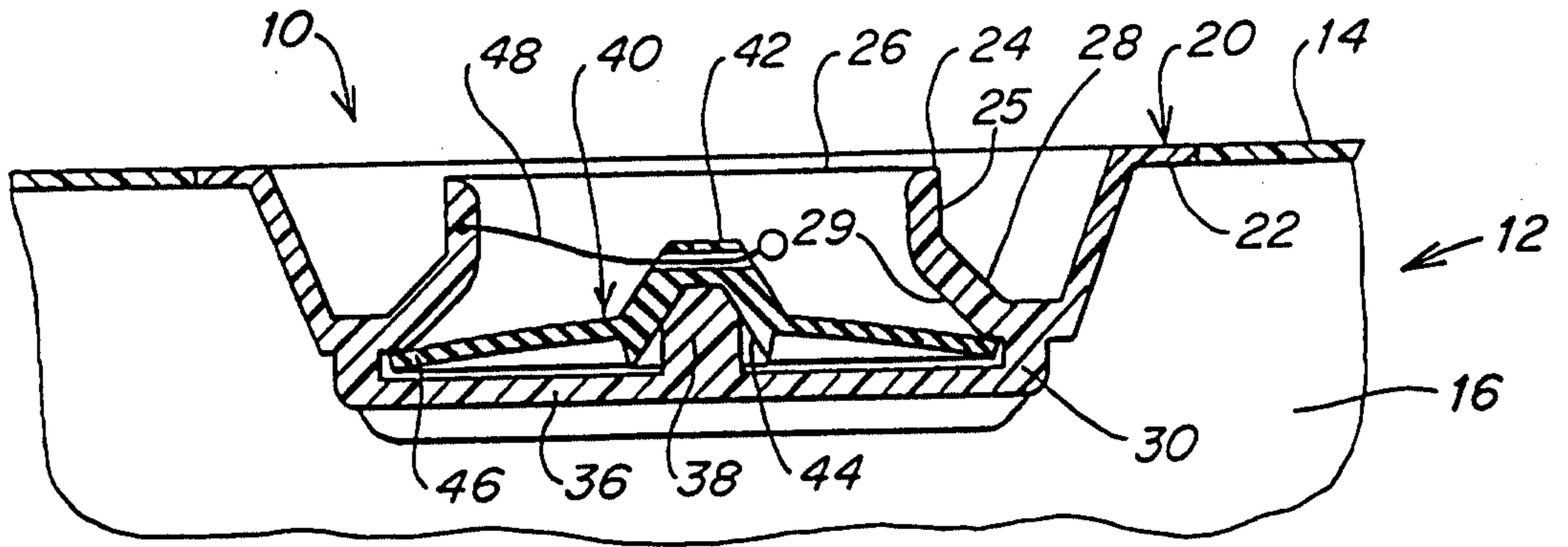


FIG. 1

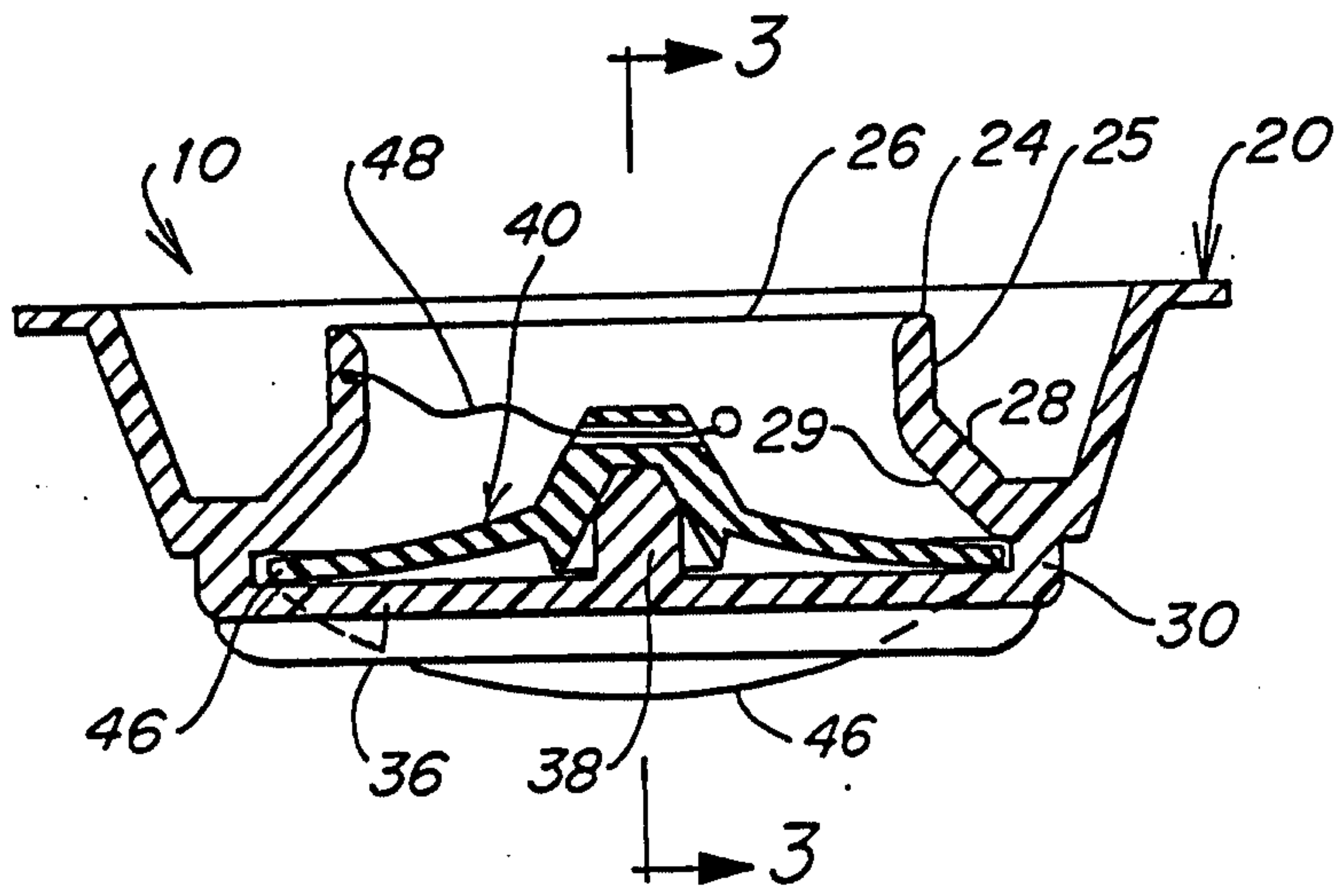


FIG. 2

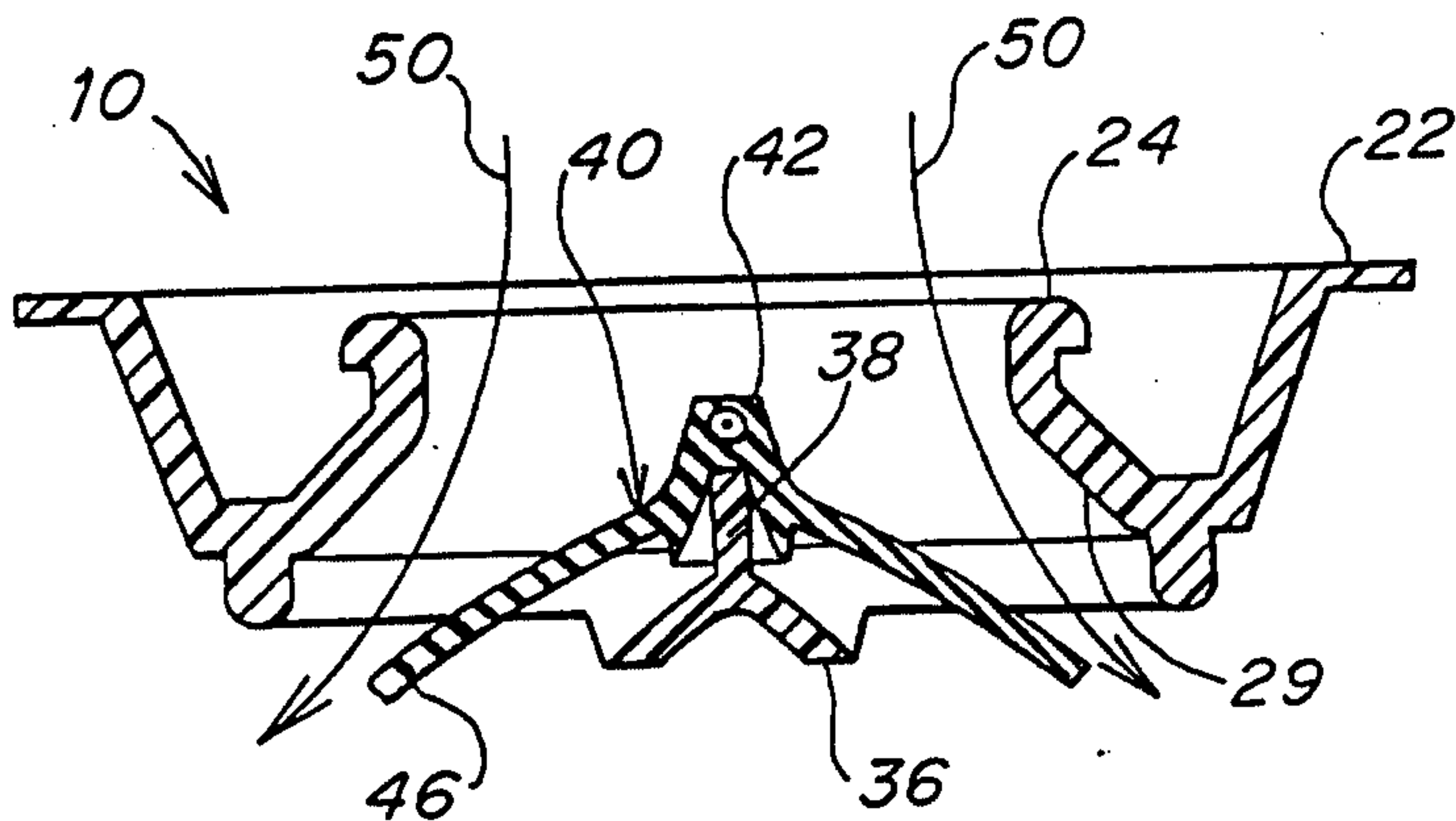


FIG. 3

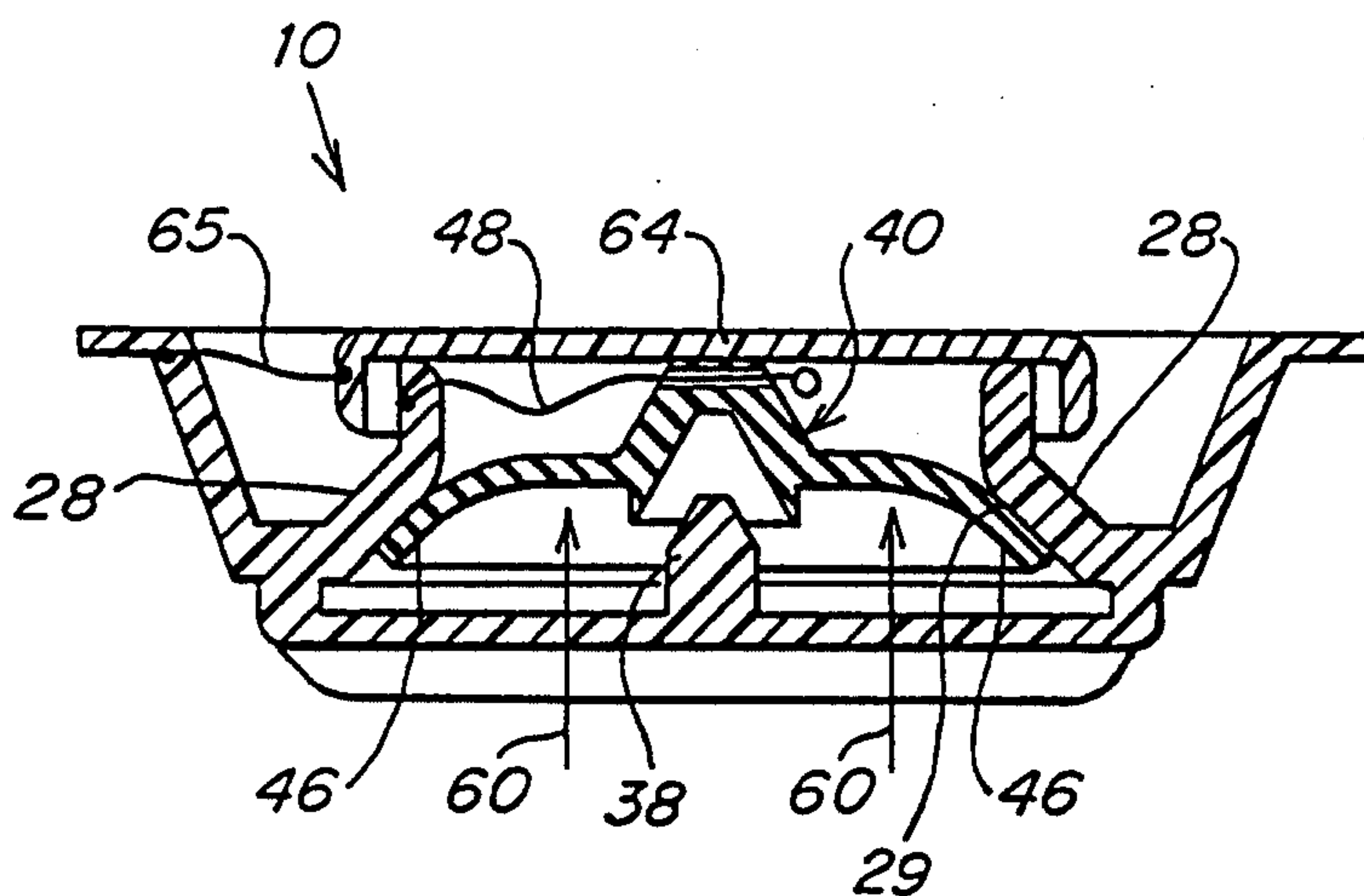


FIG. 4

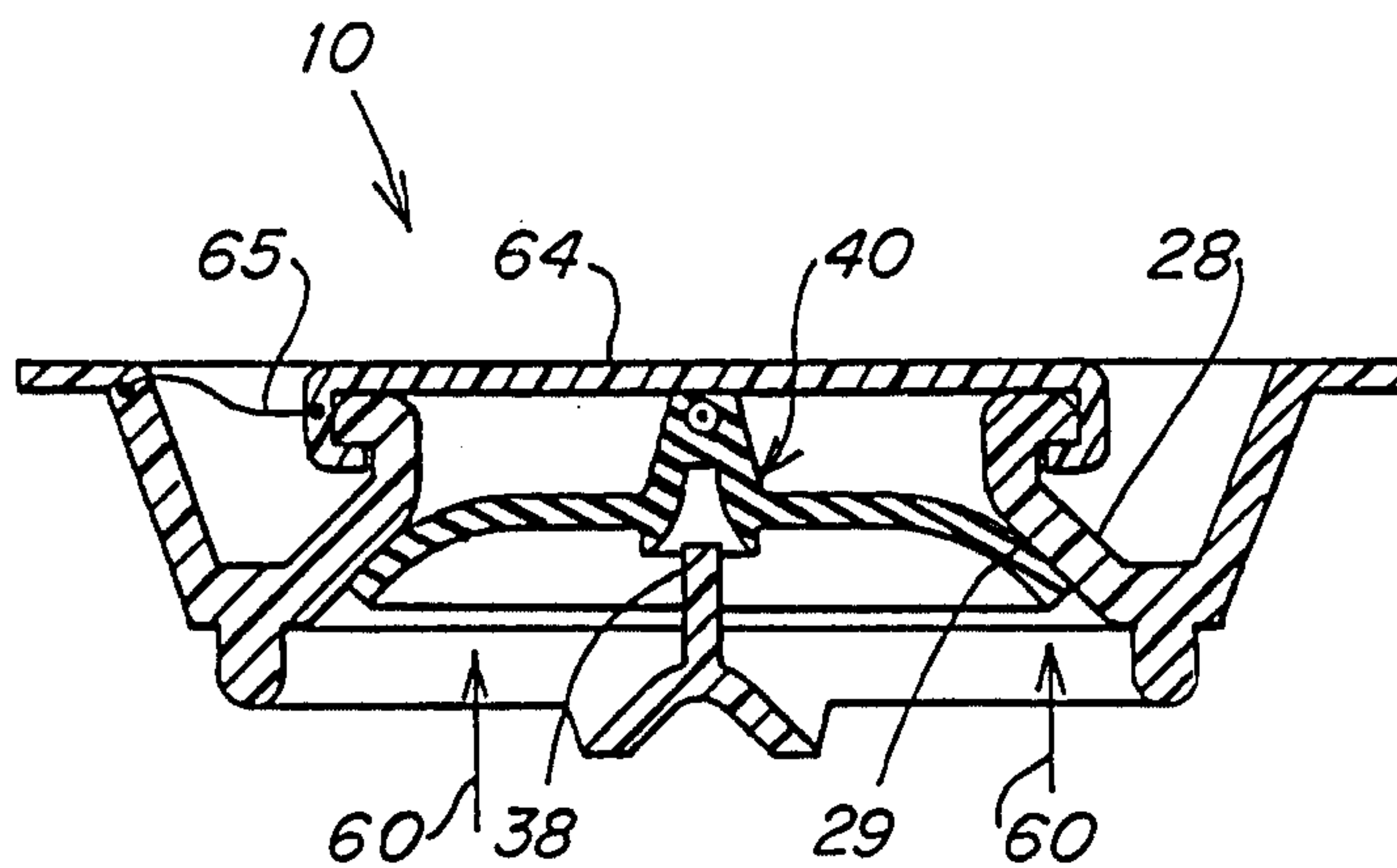


FIG. 5

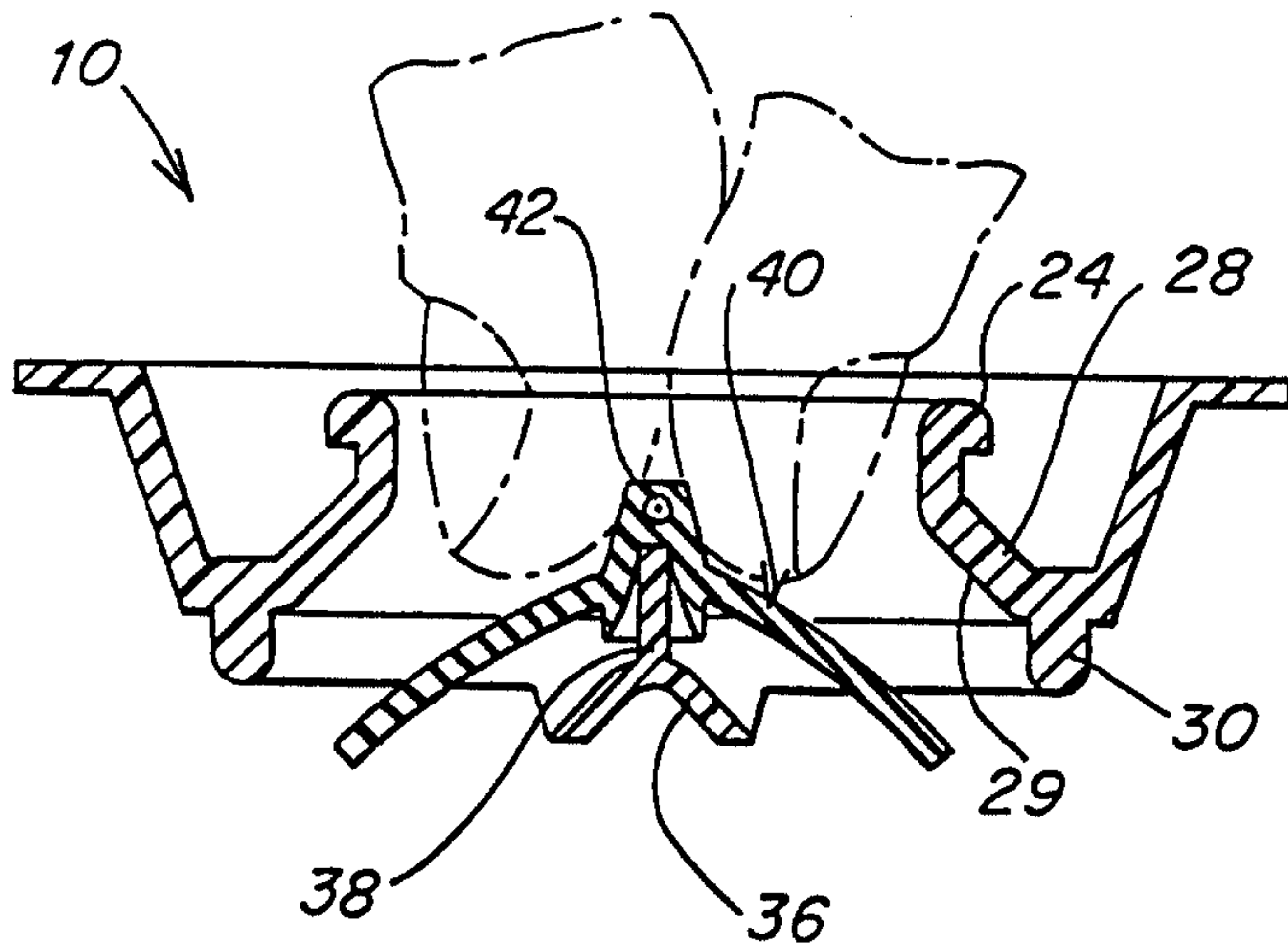


FIG. 6

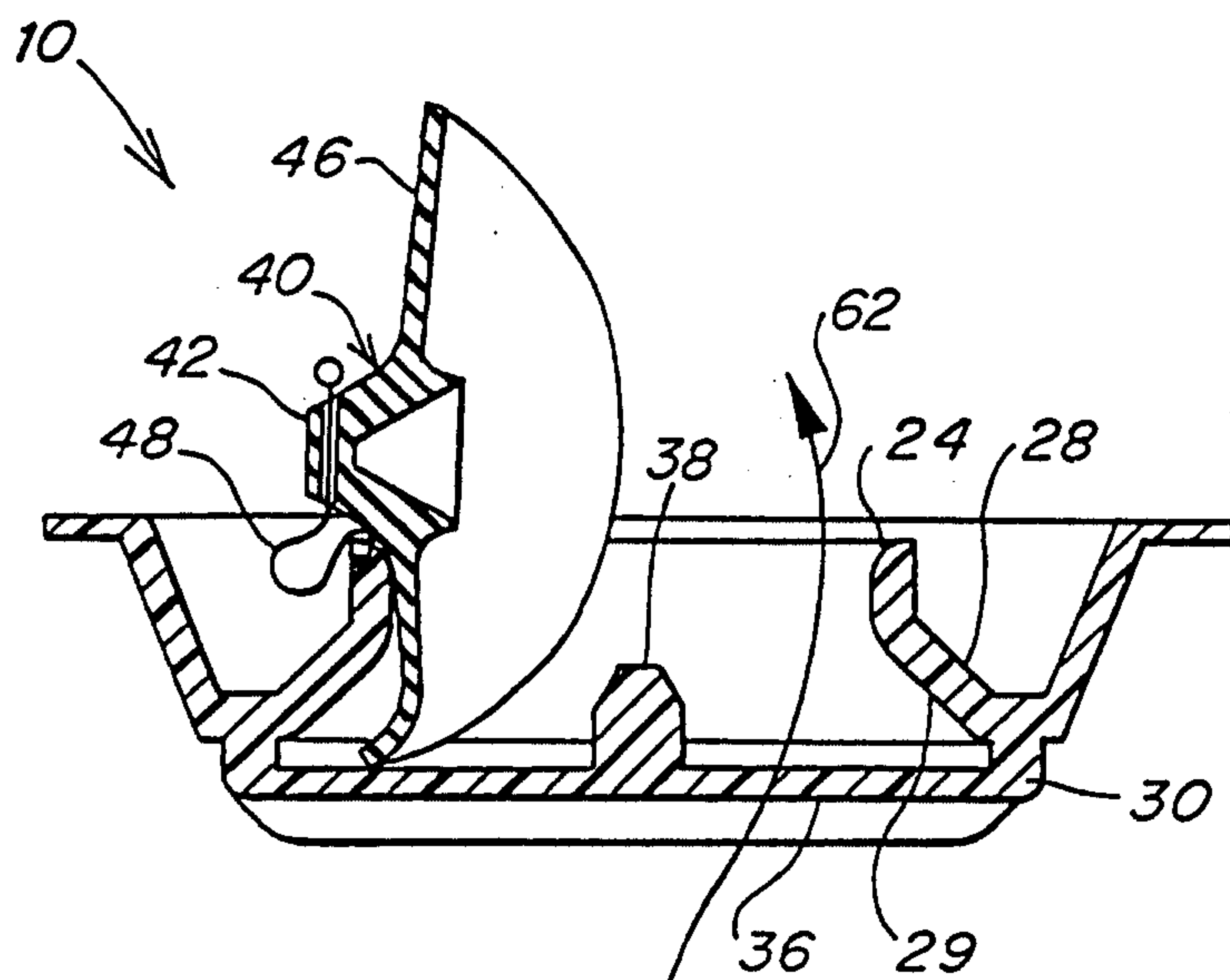


FIG. 7

4/27

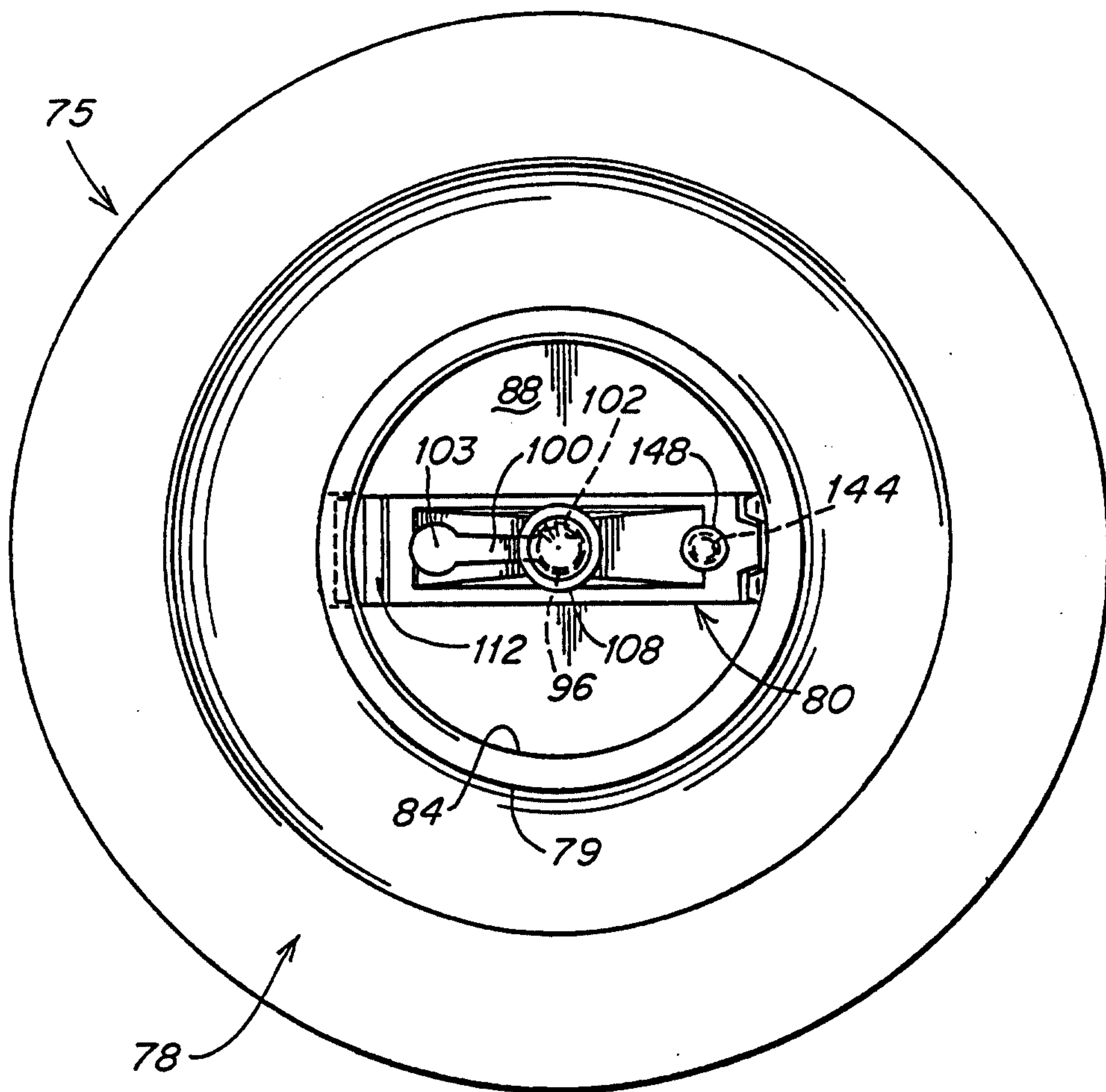


FIG. 8

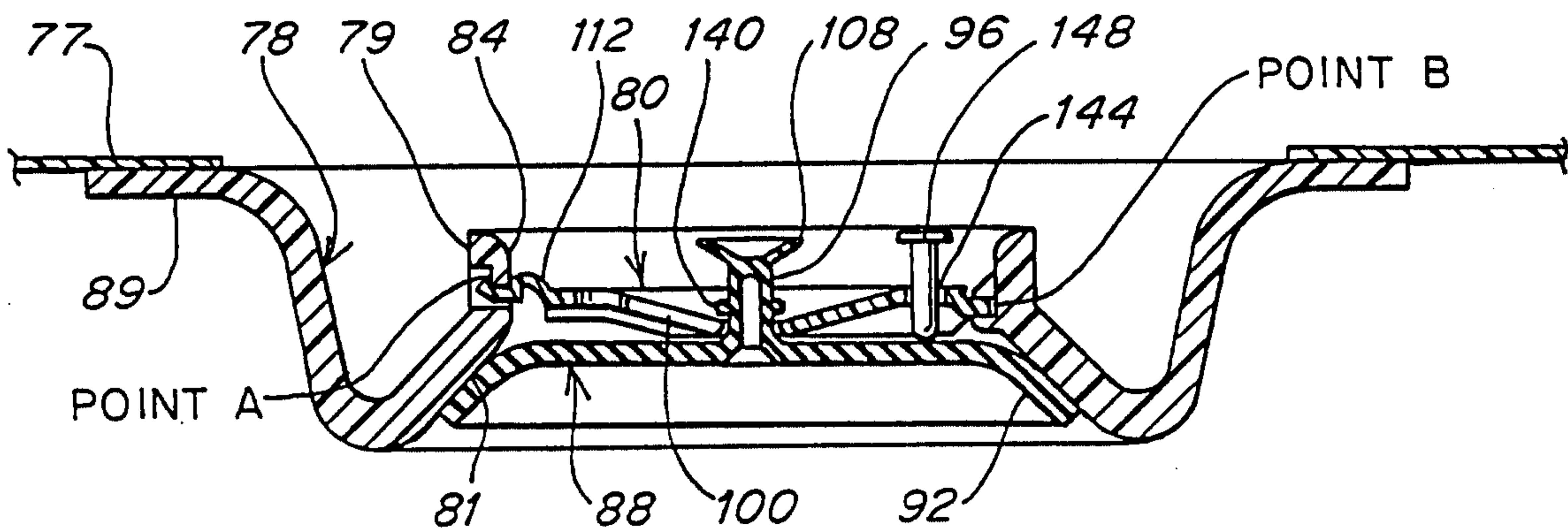


FIG. 9

5/27

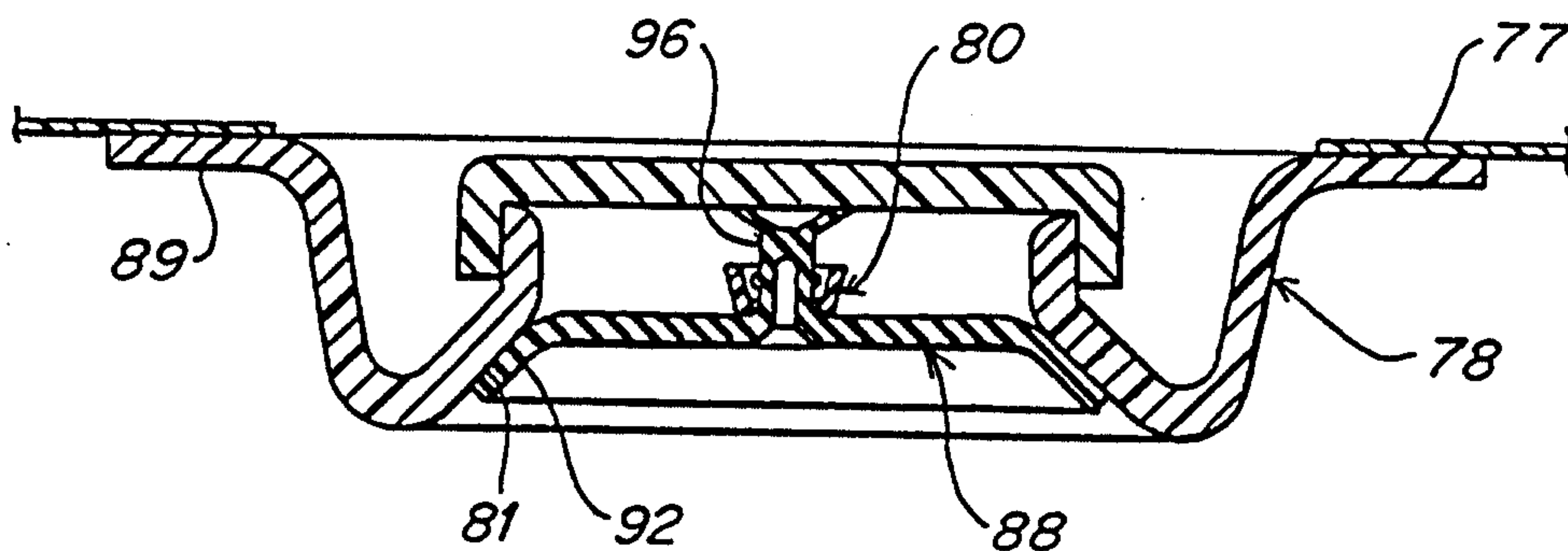


FIG. 10

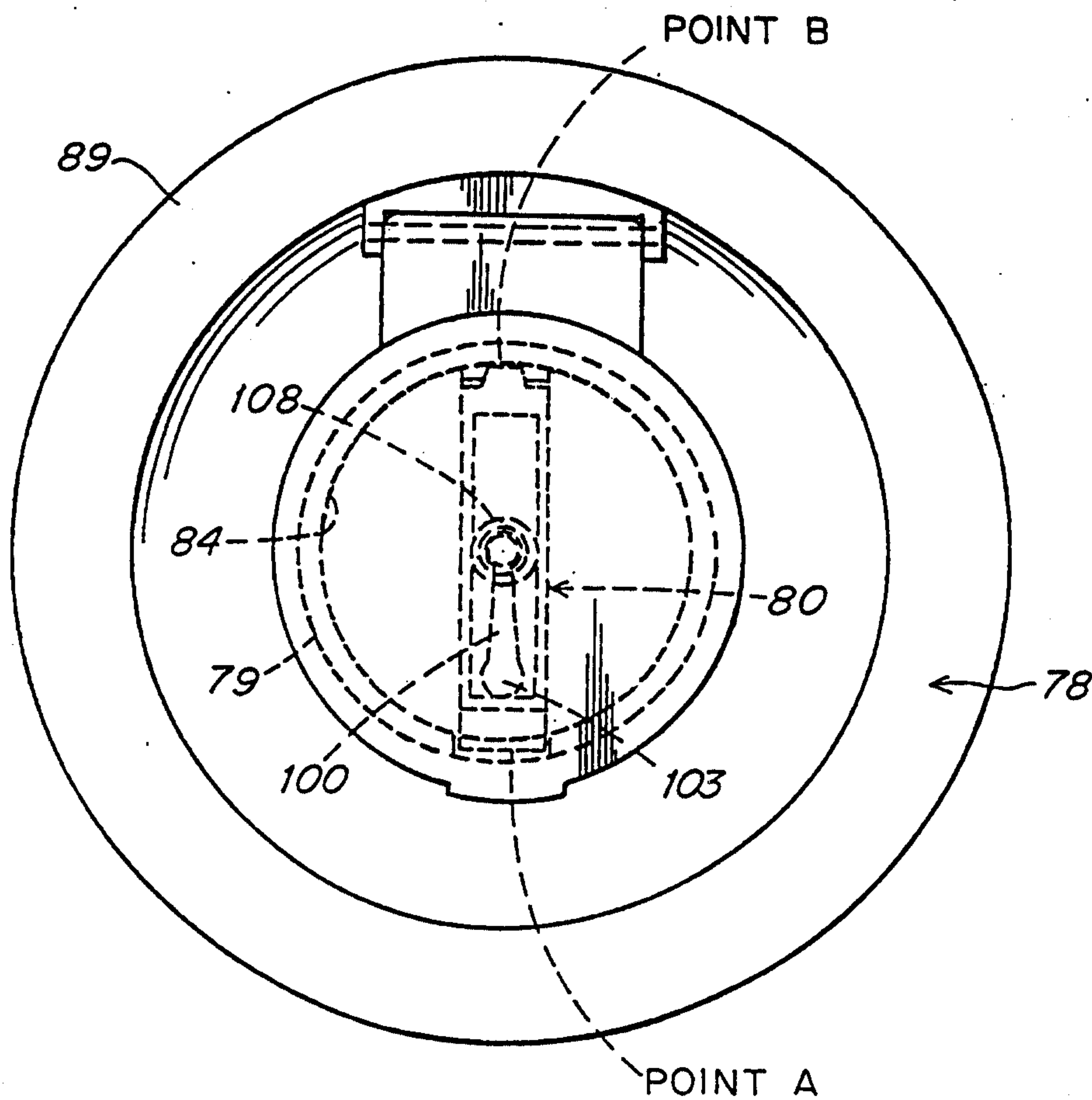
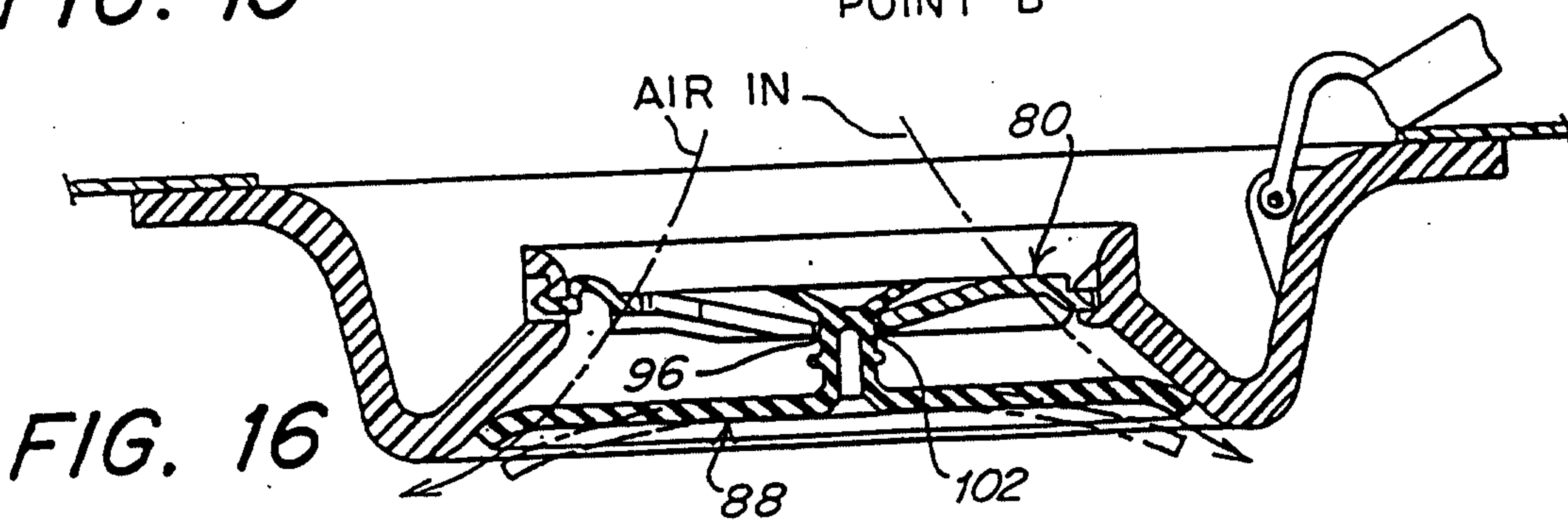
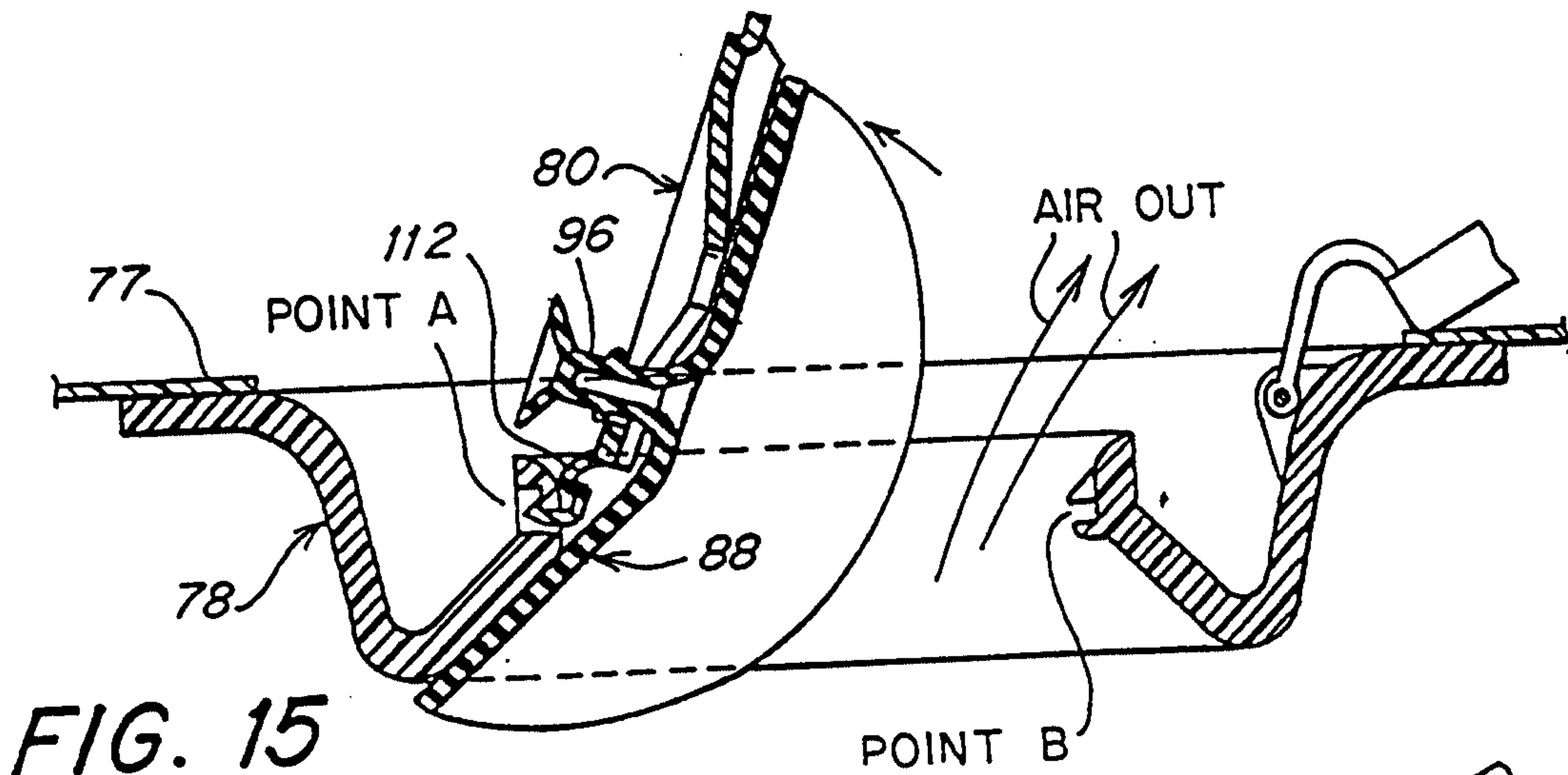
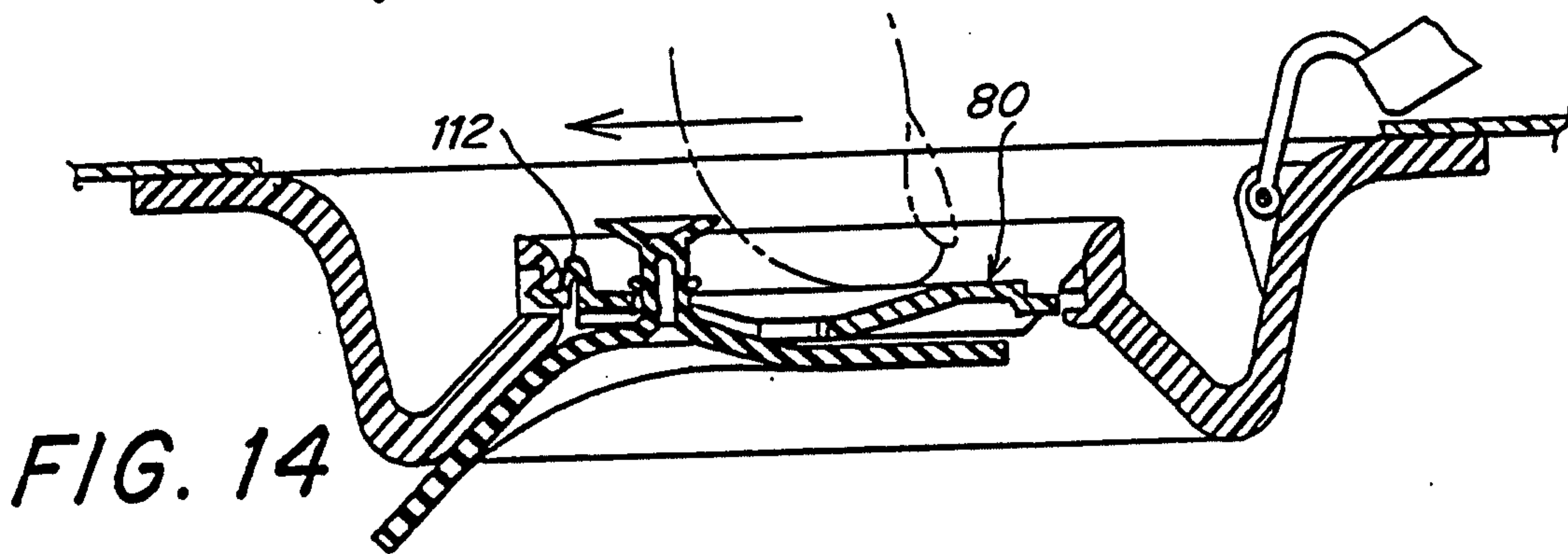
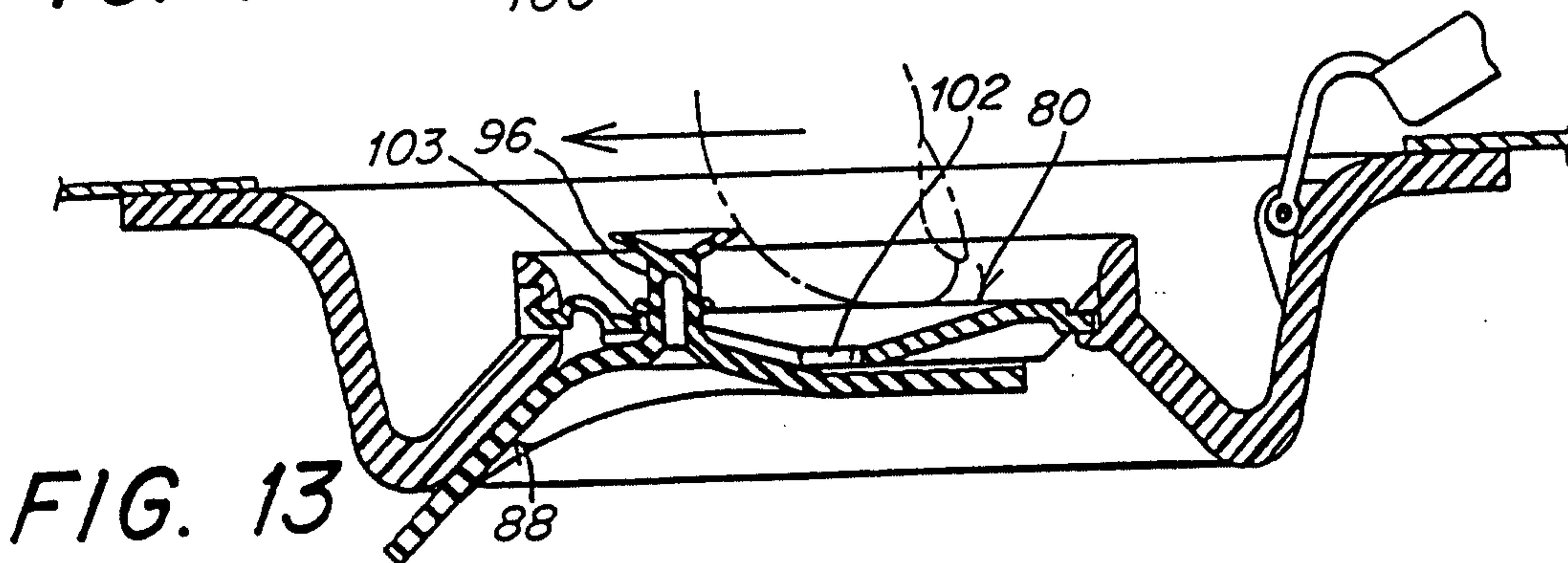
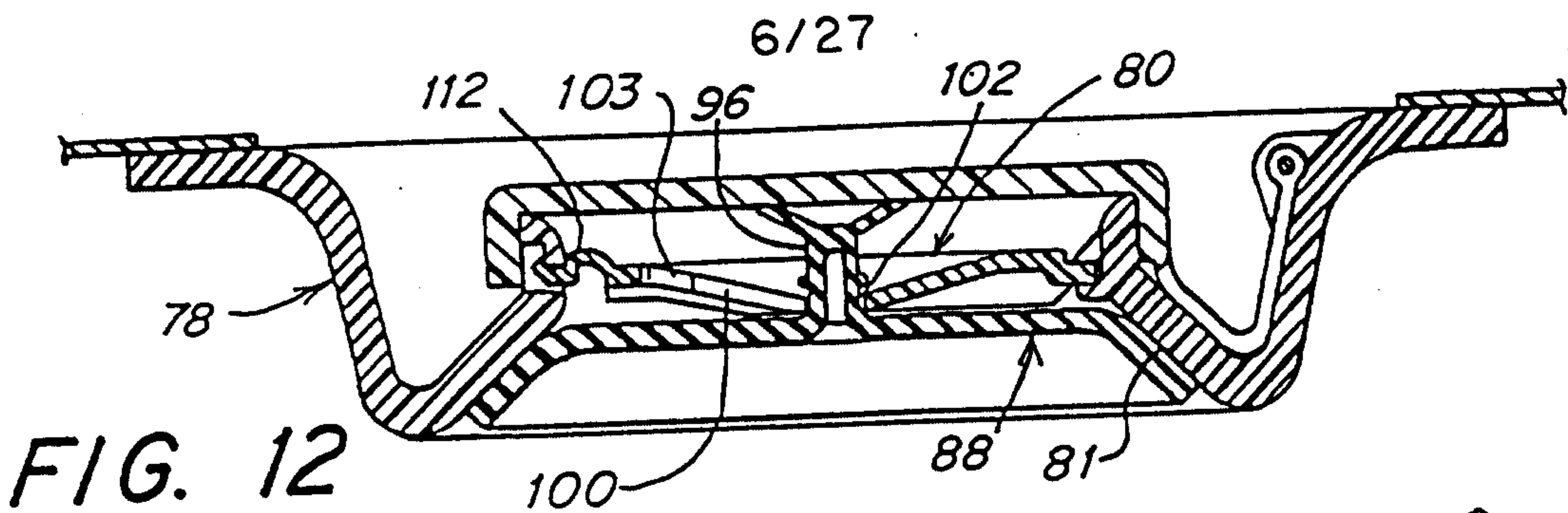


FIG. 11



PCT/US 97/12424
IPEA/US 19 FEB 1998

7/27

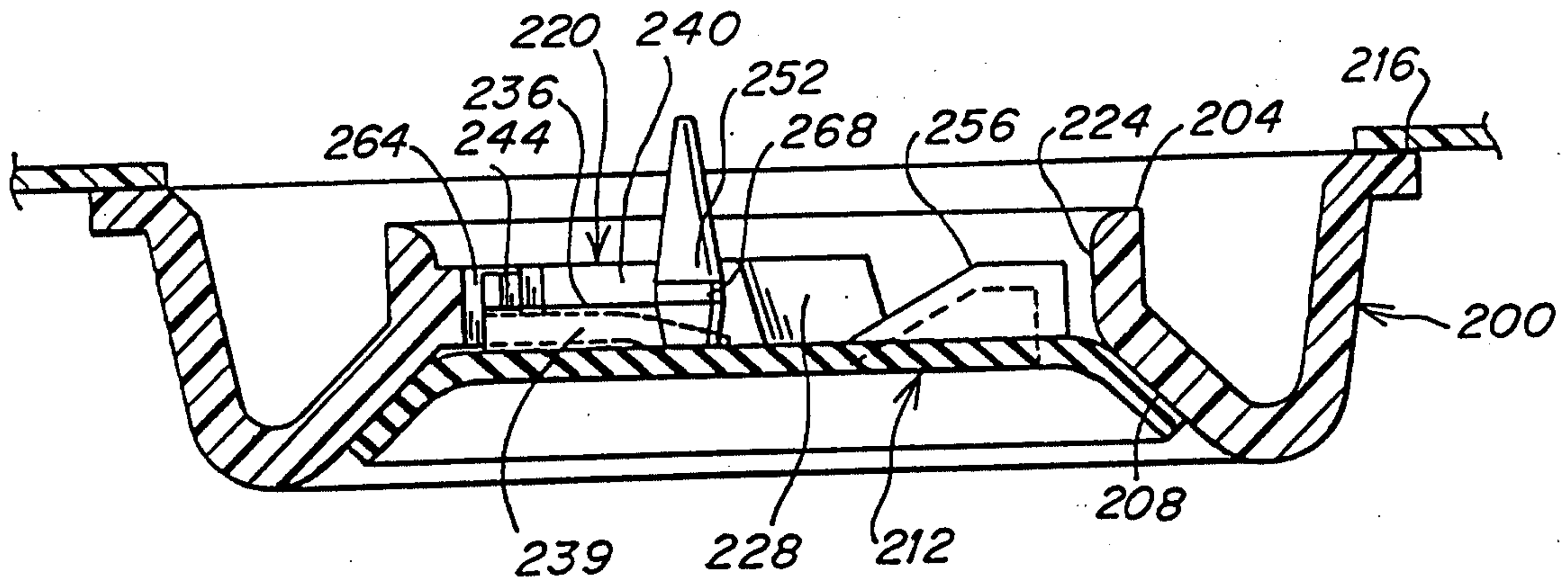


FIG. 17

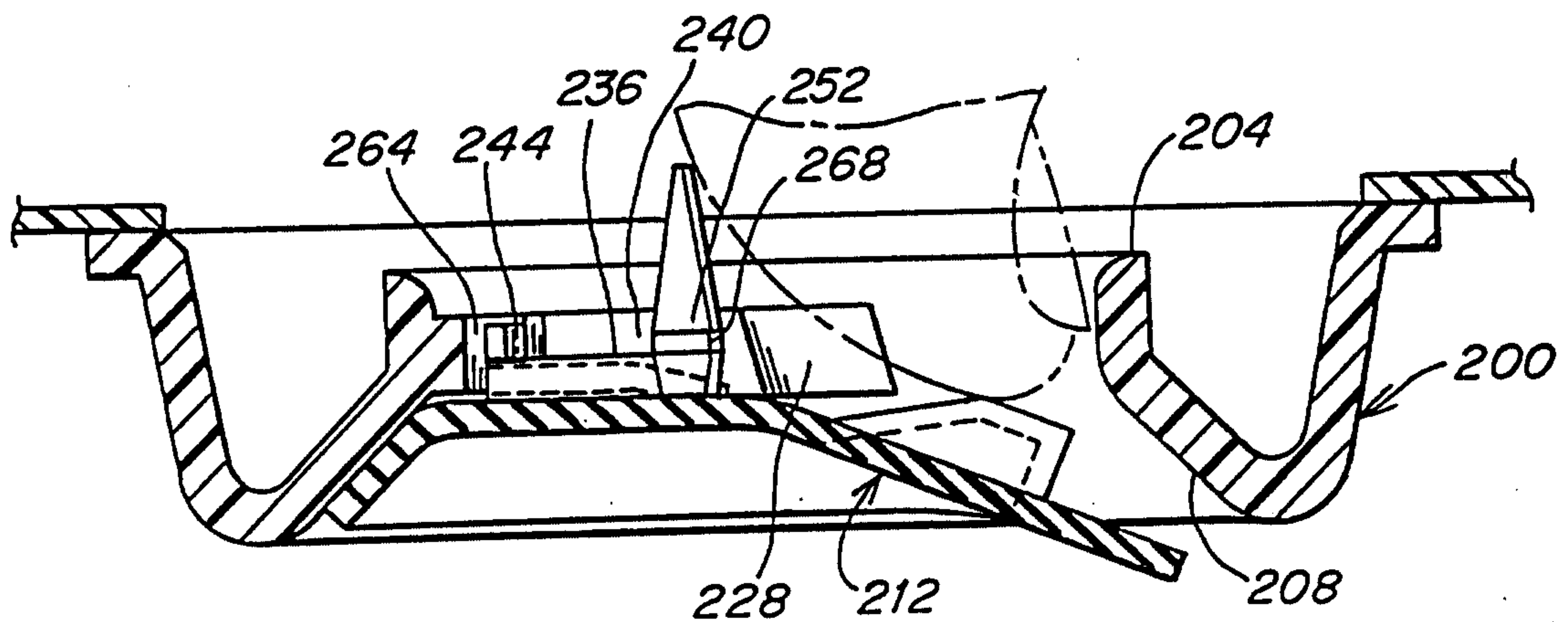


FIG. 18

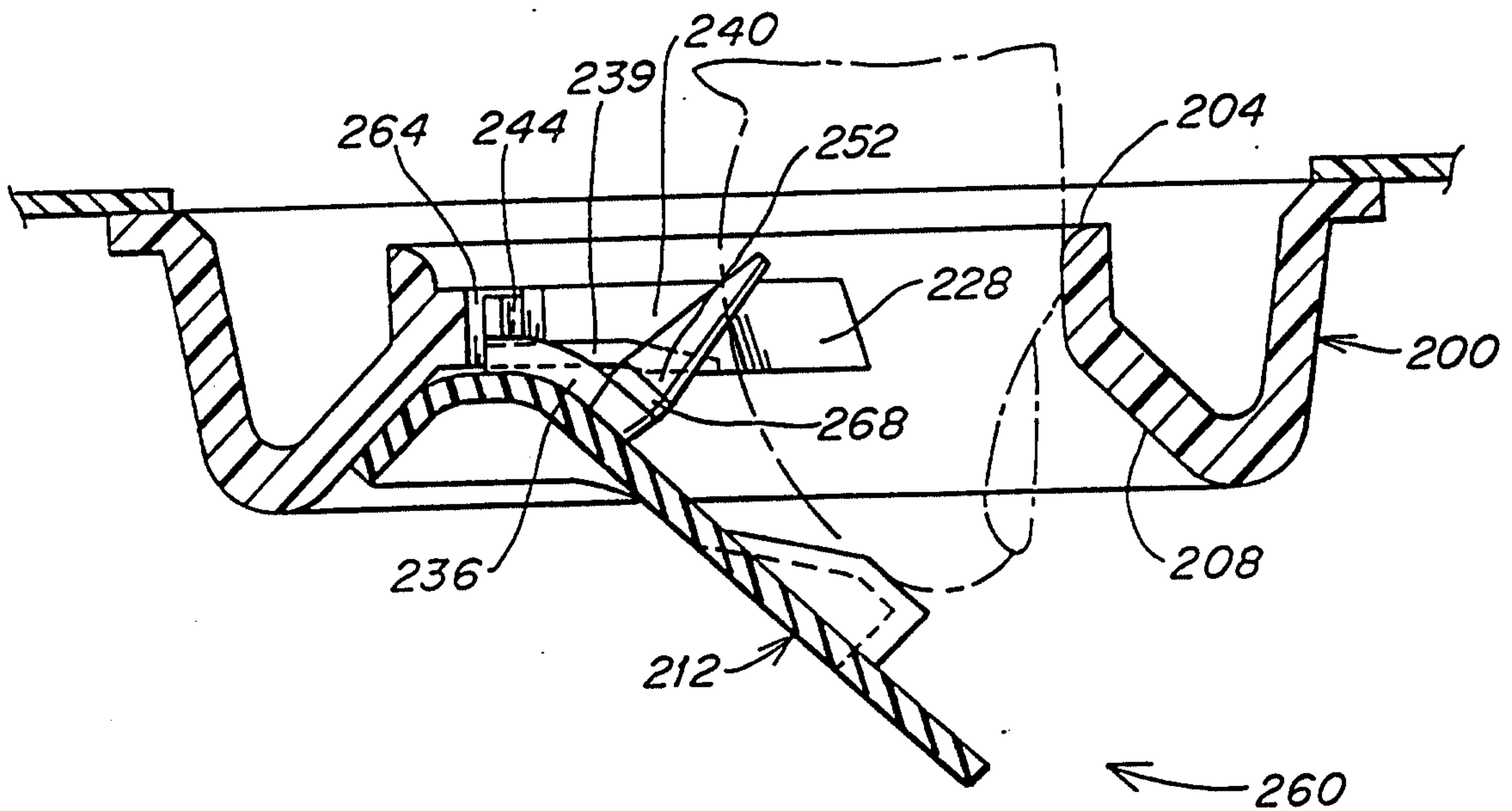


FIG. 19

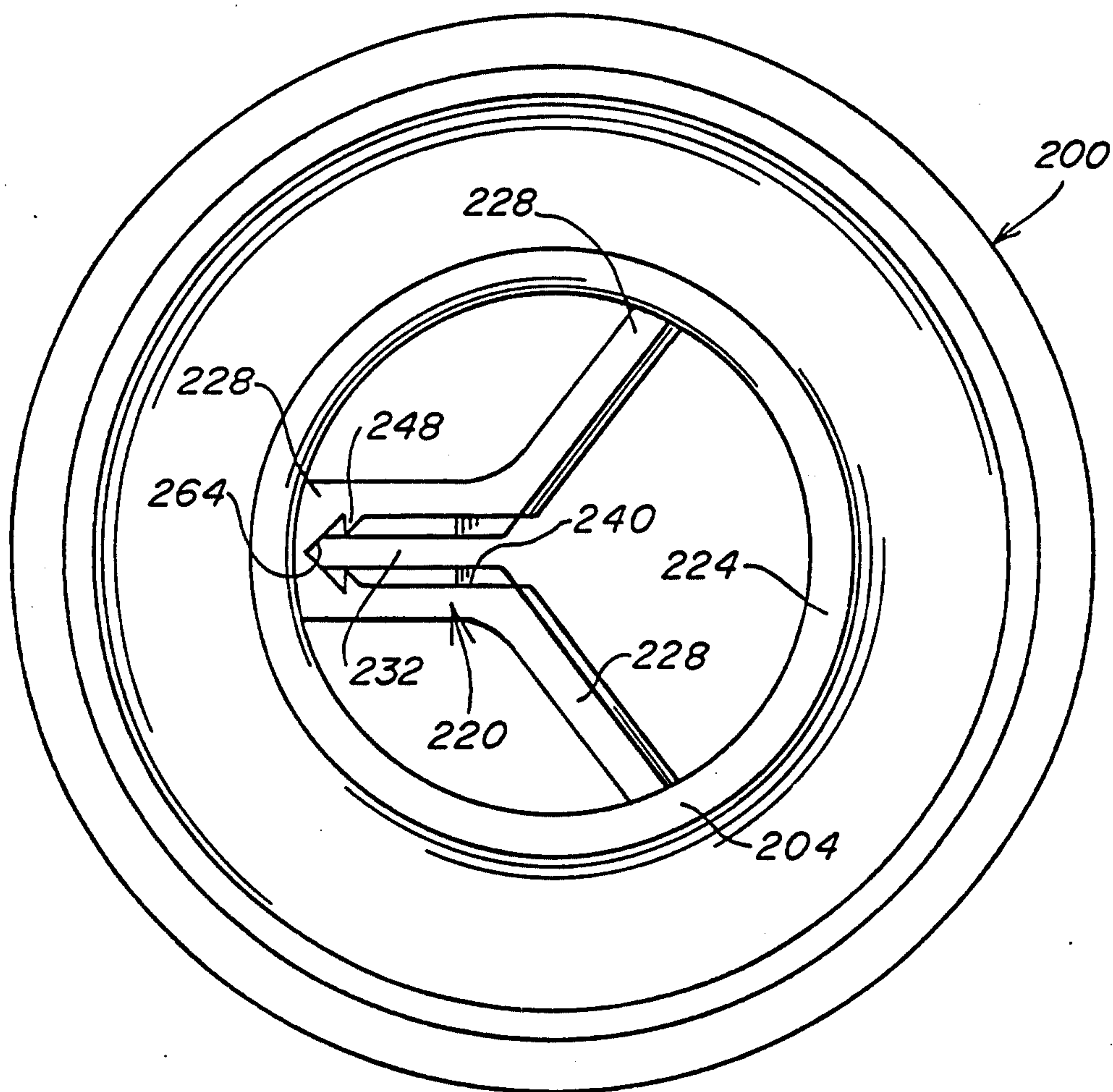


FIG. 20

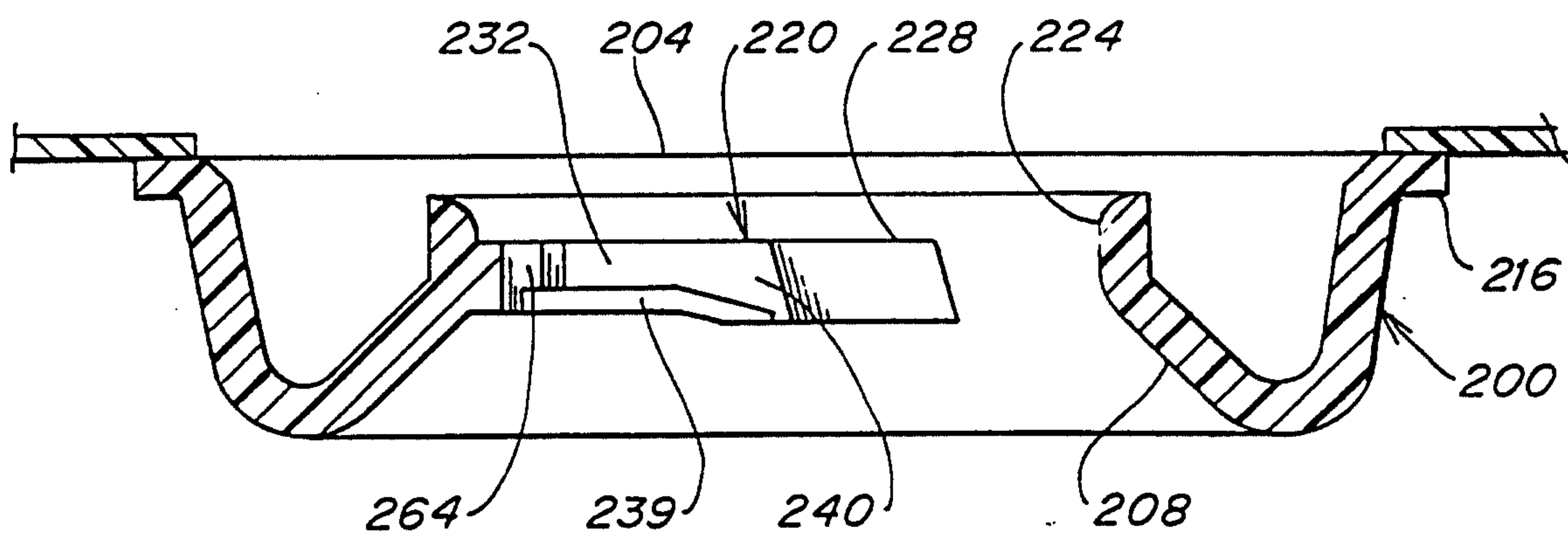


FIG. 21

RGT/US 97/12231

IPEA/US 19 FEB 1998

9/27

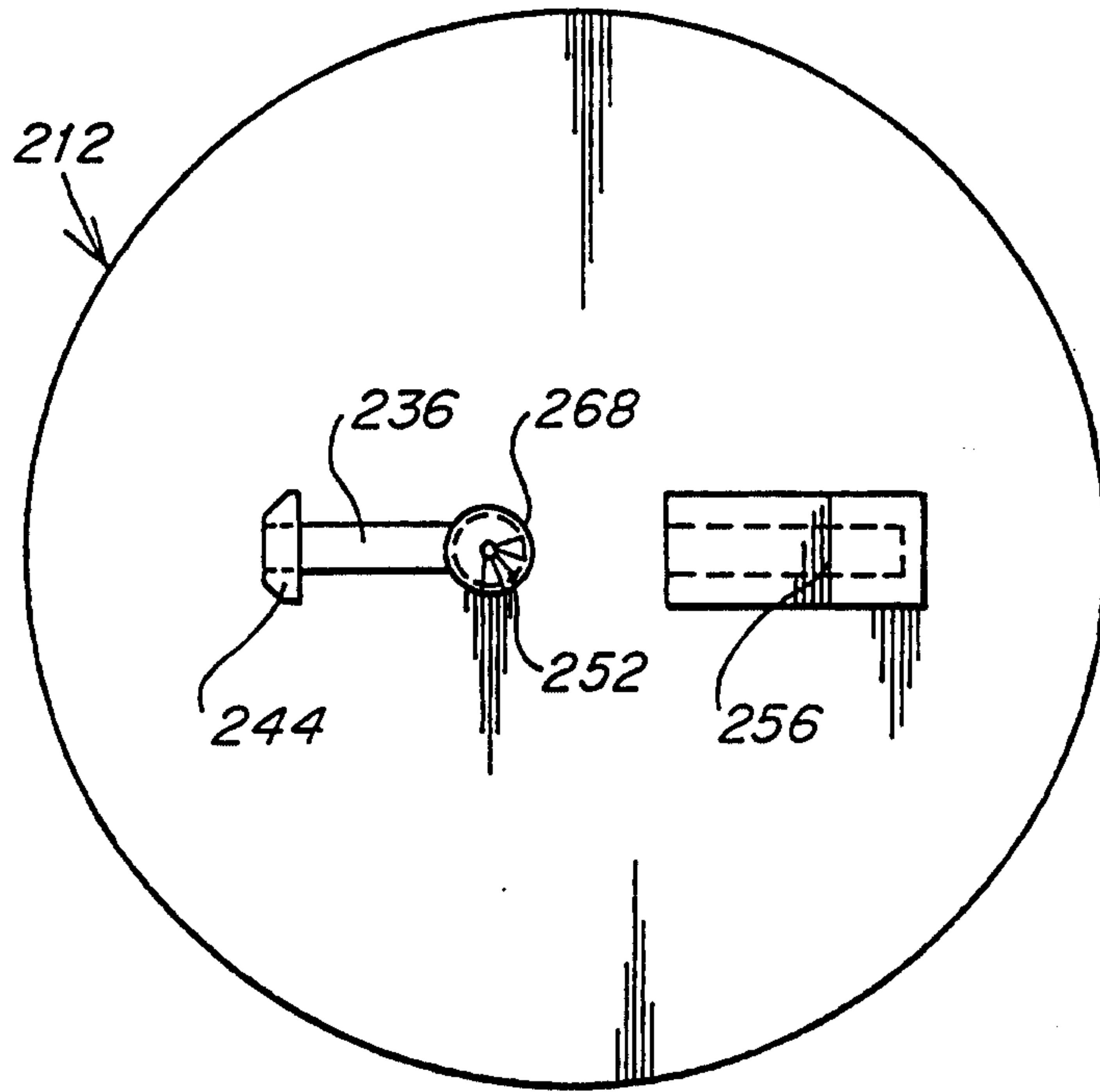


FIG. 22

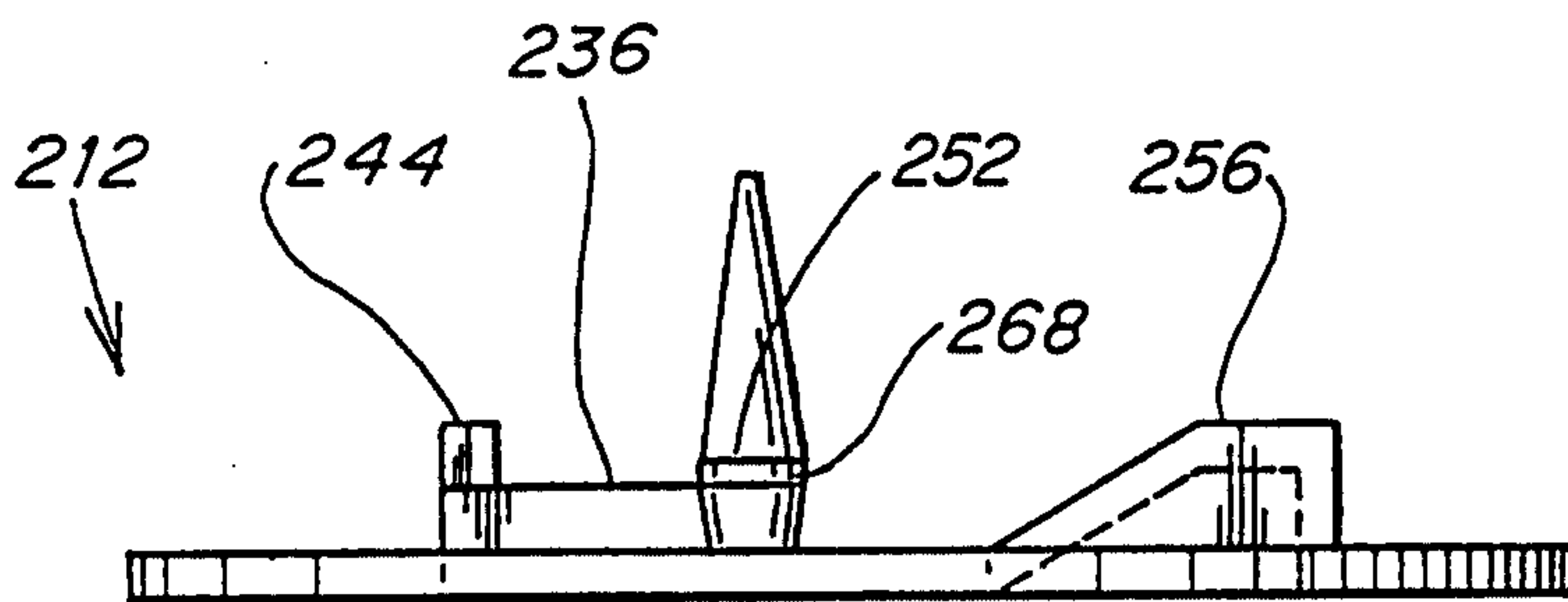


FIG. 23

10/27

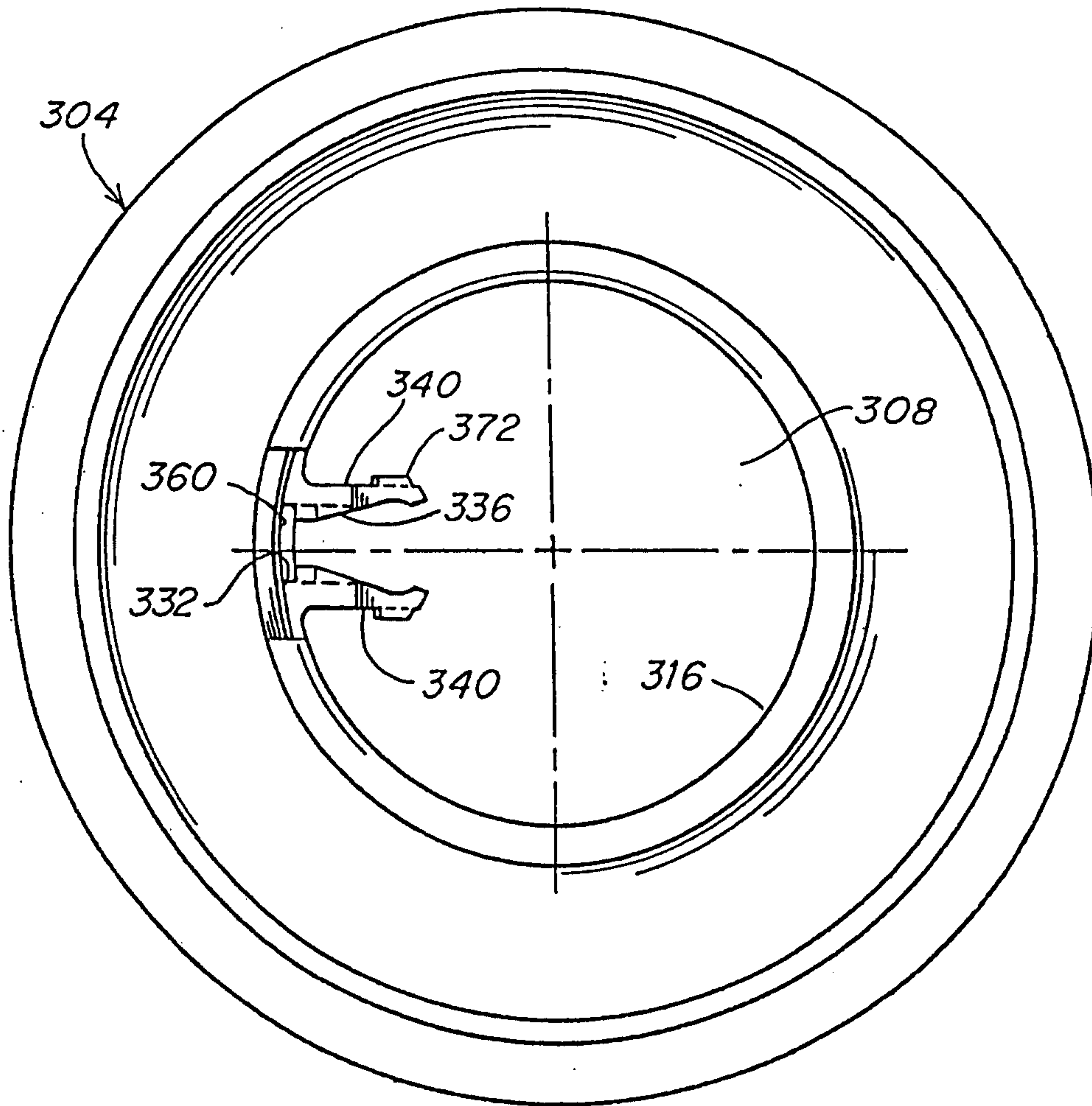


FIG. 24

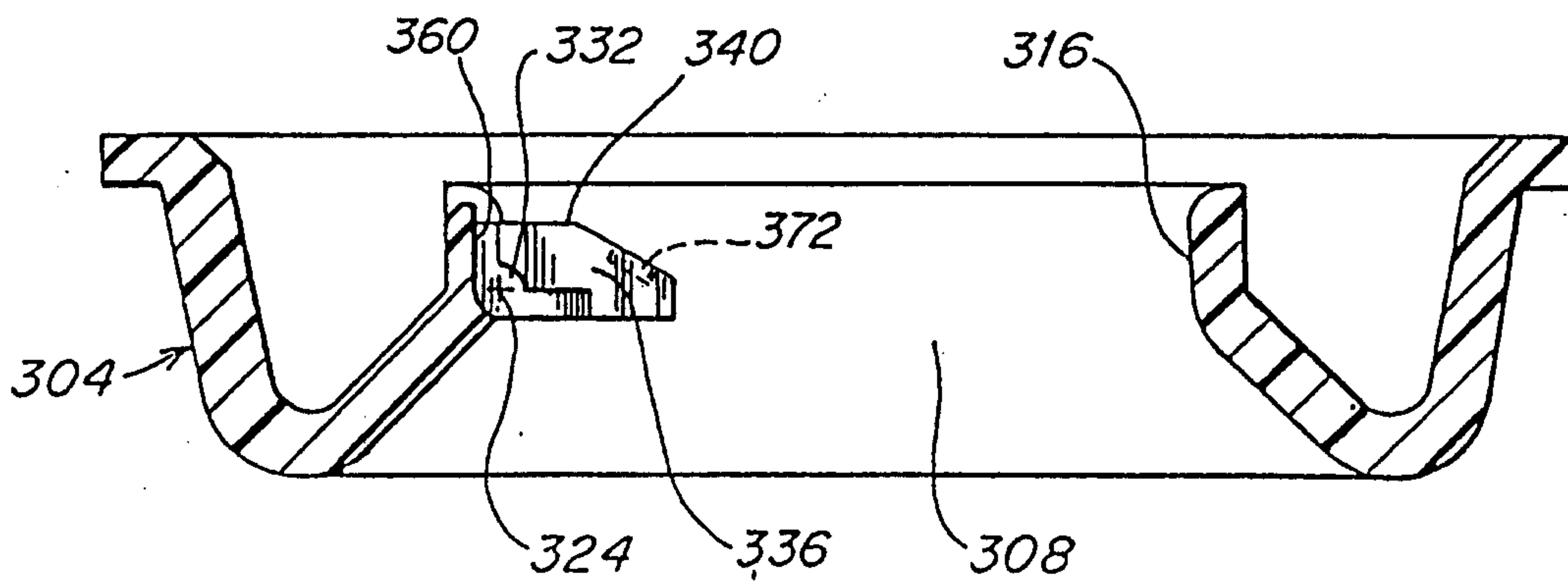


FIG. 25

11/27

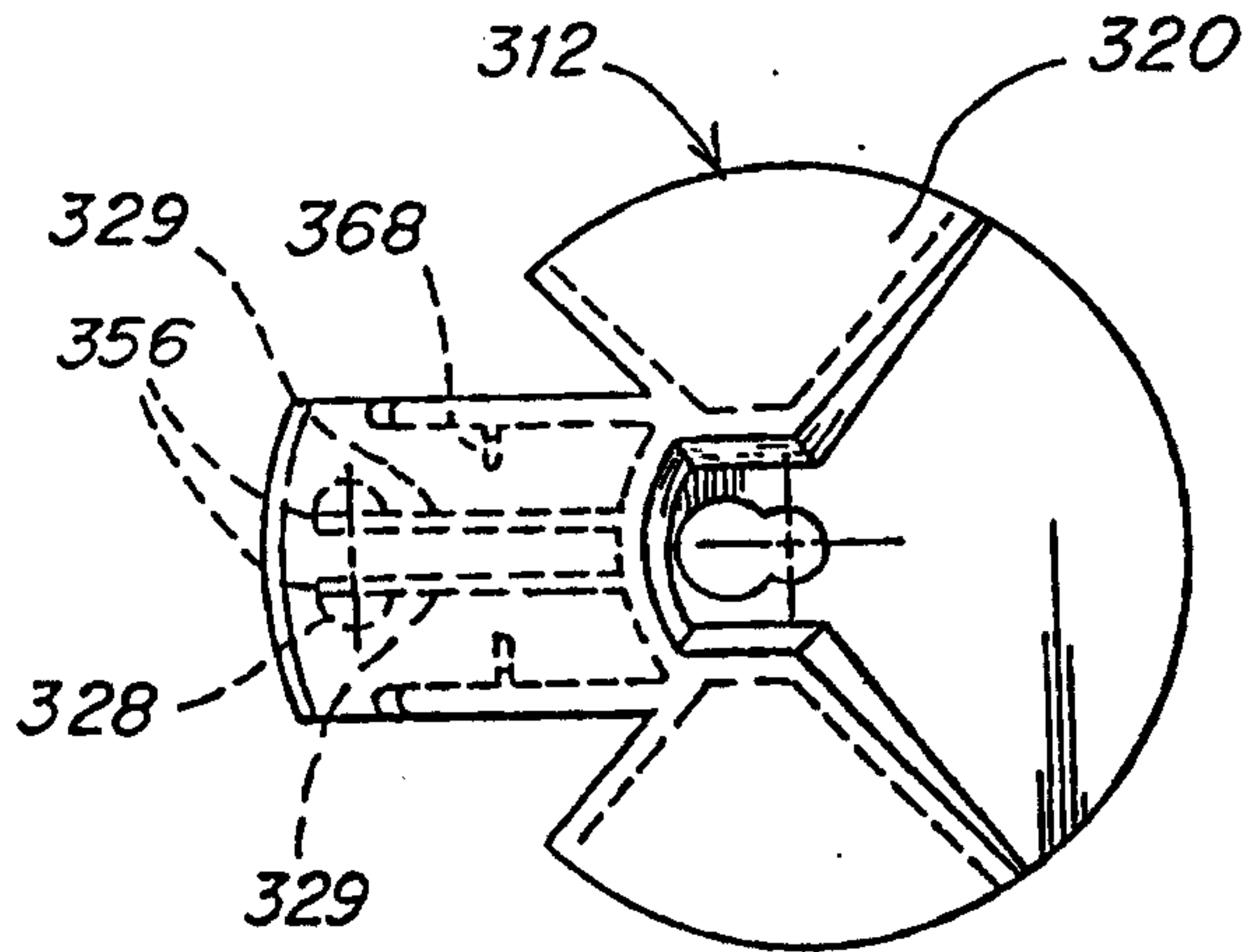


FIG. 26

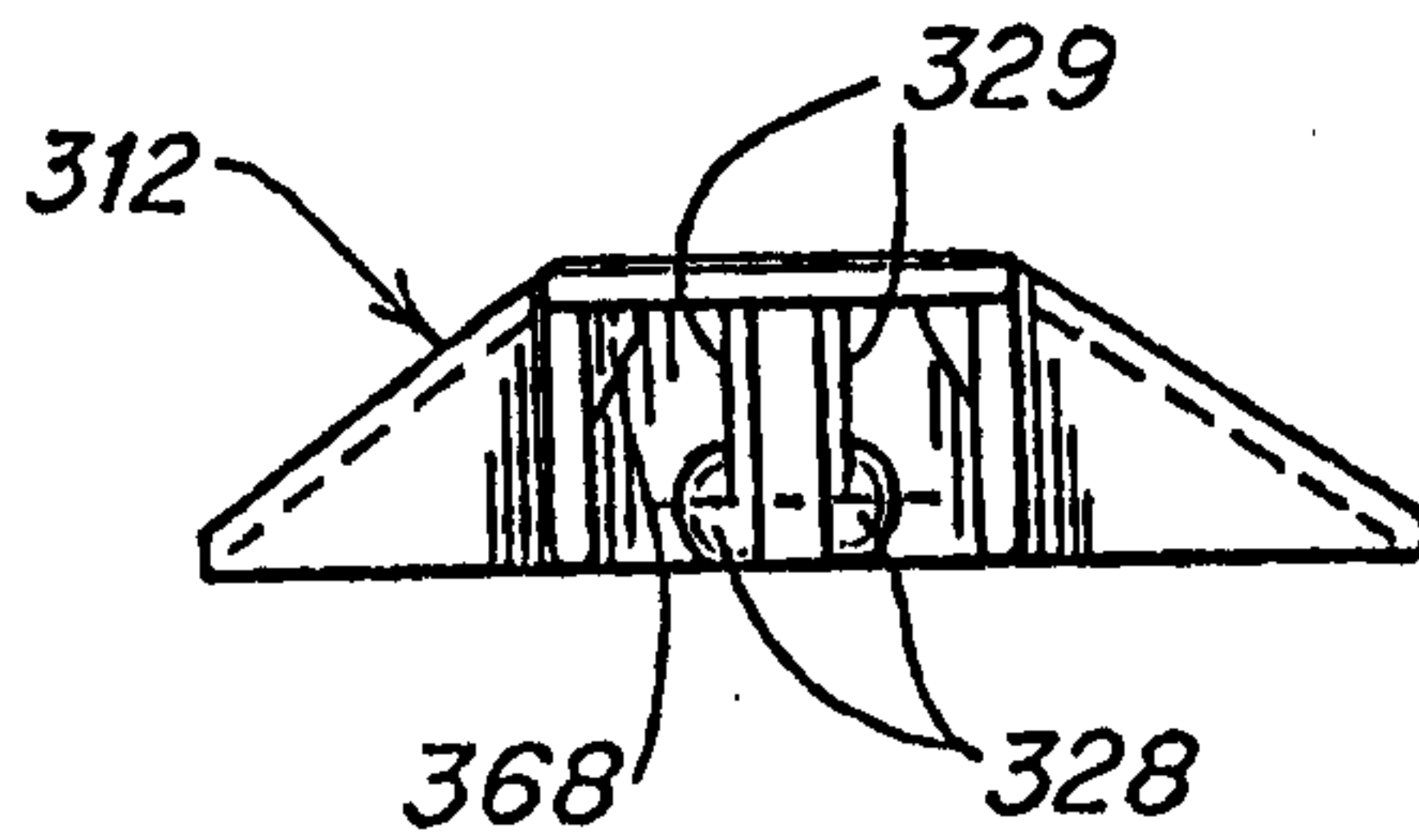


FIG. 27

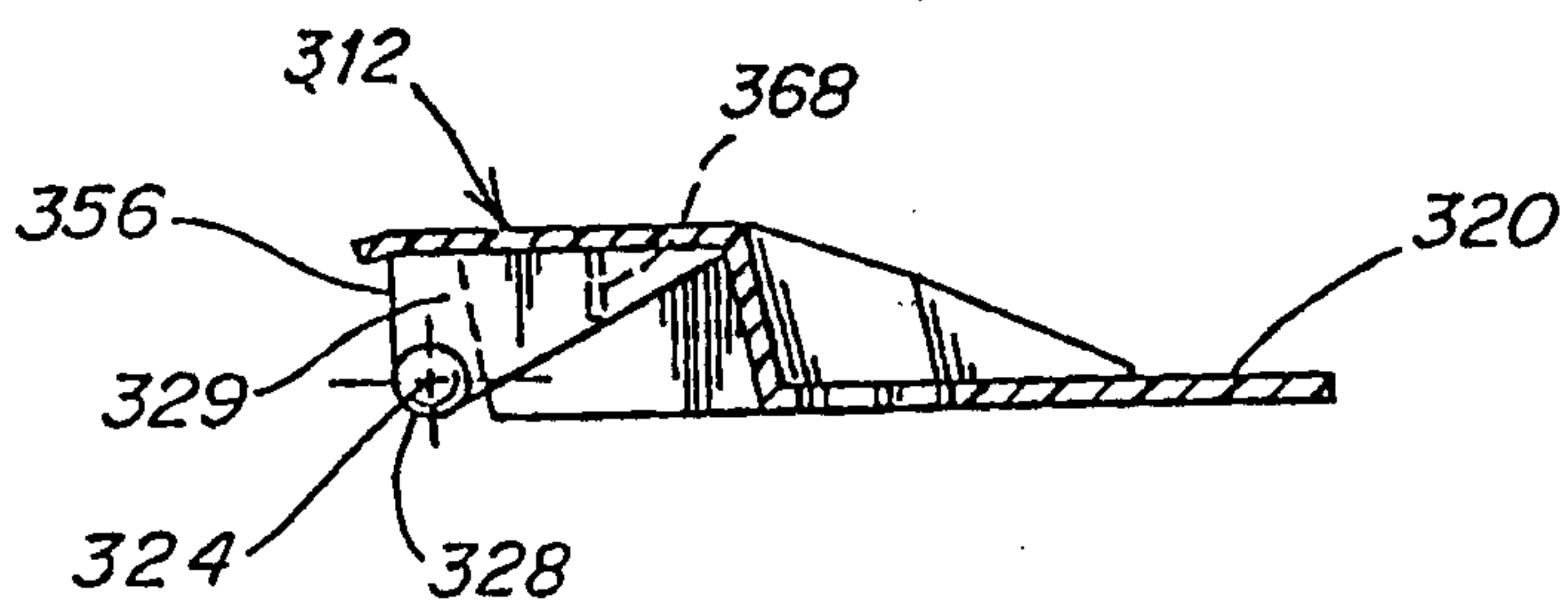


FIG. 28

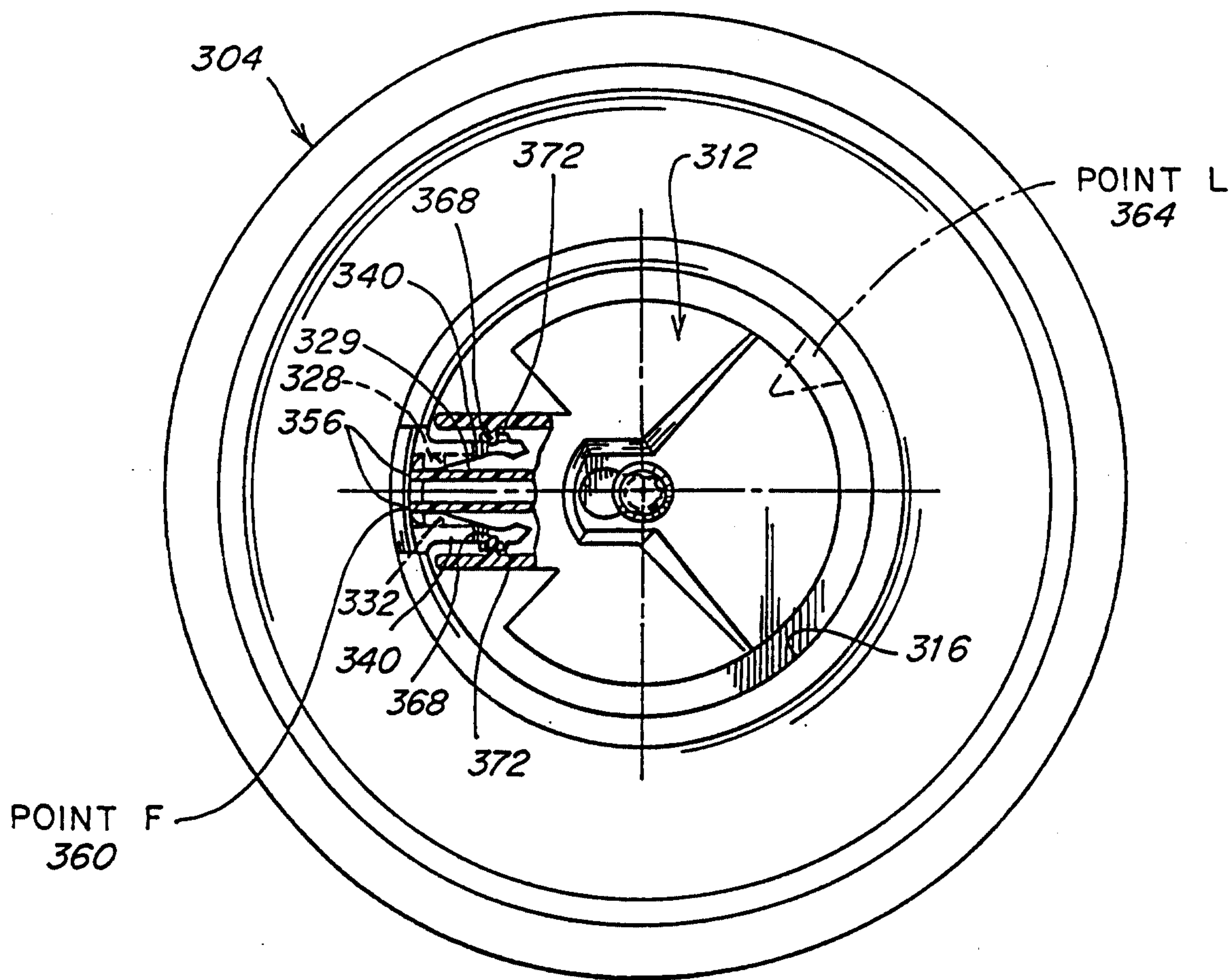


FIG. 29

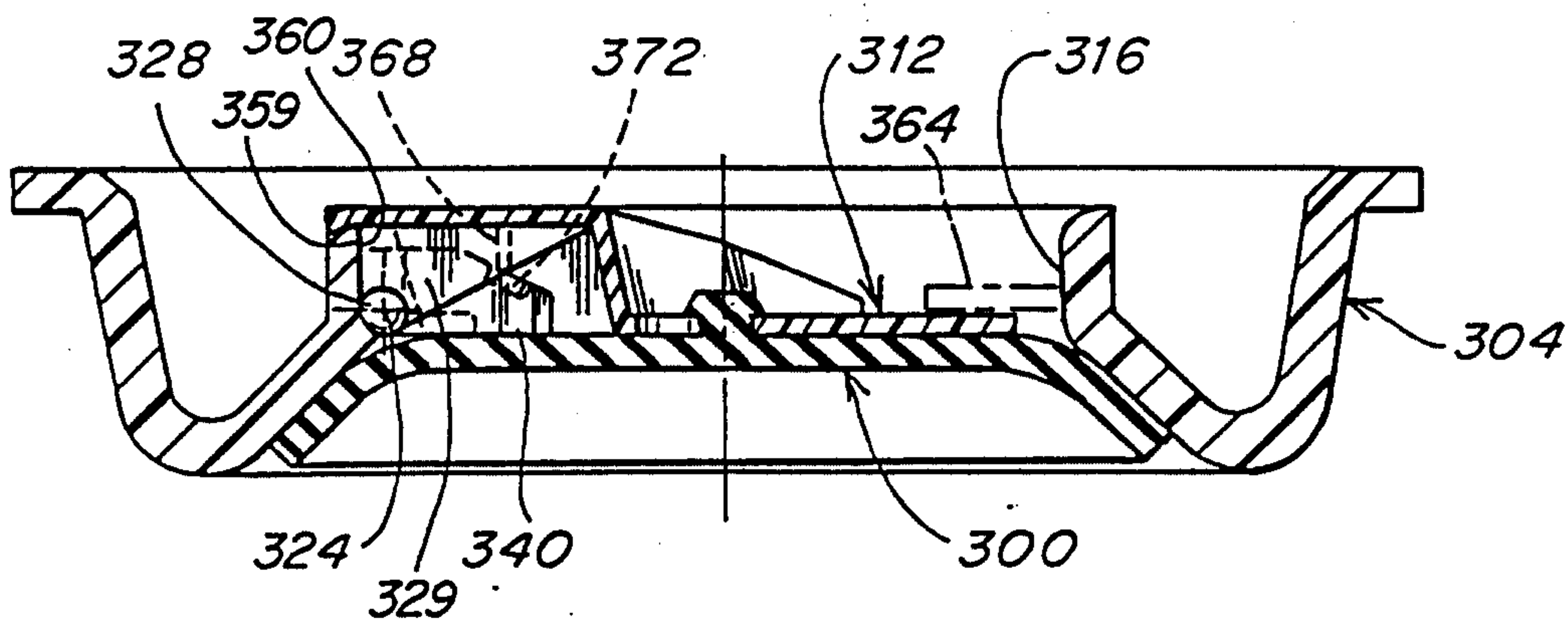


FIG. 30

13/27

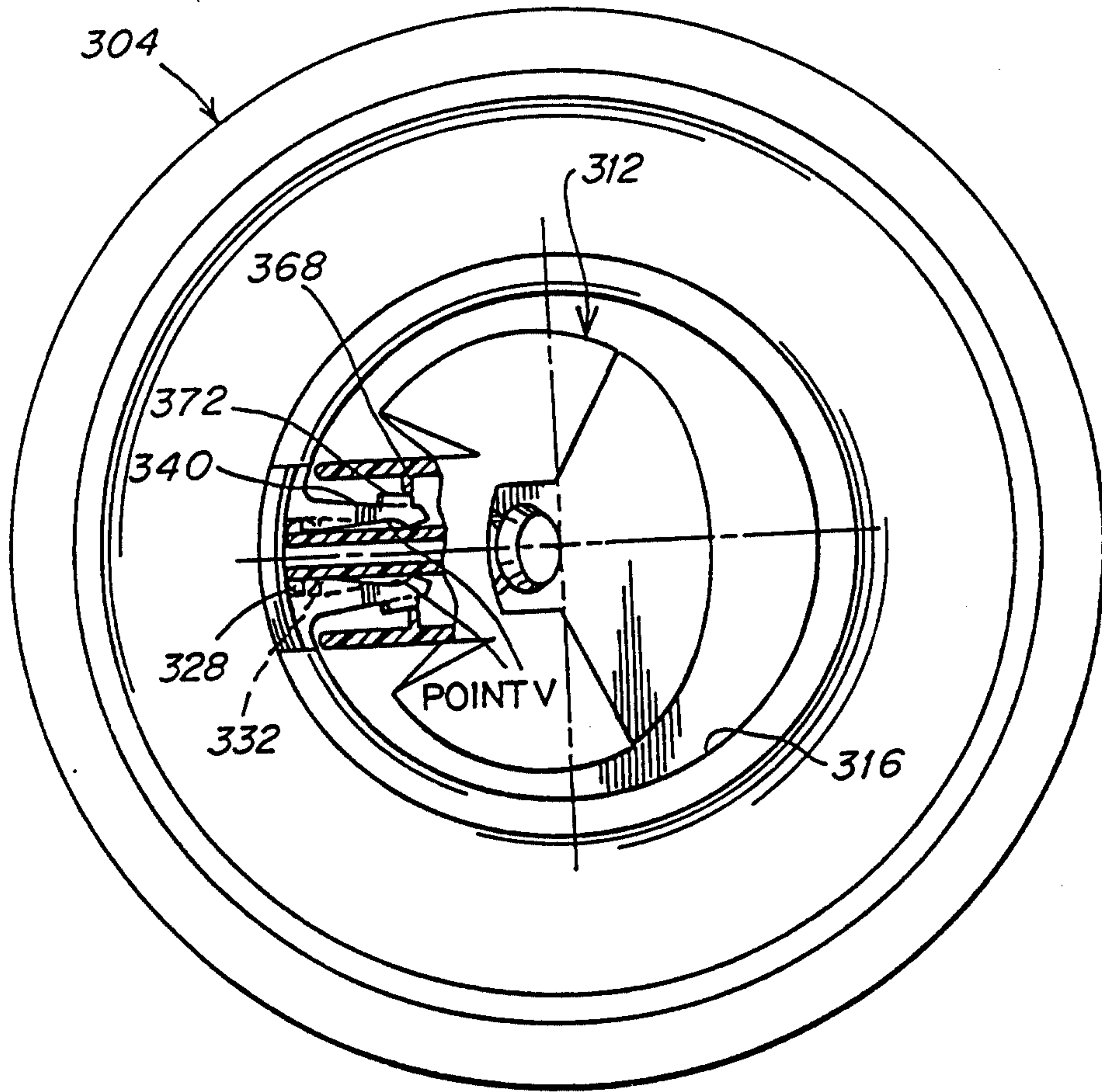


FIG. 31

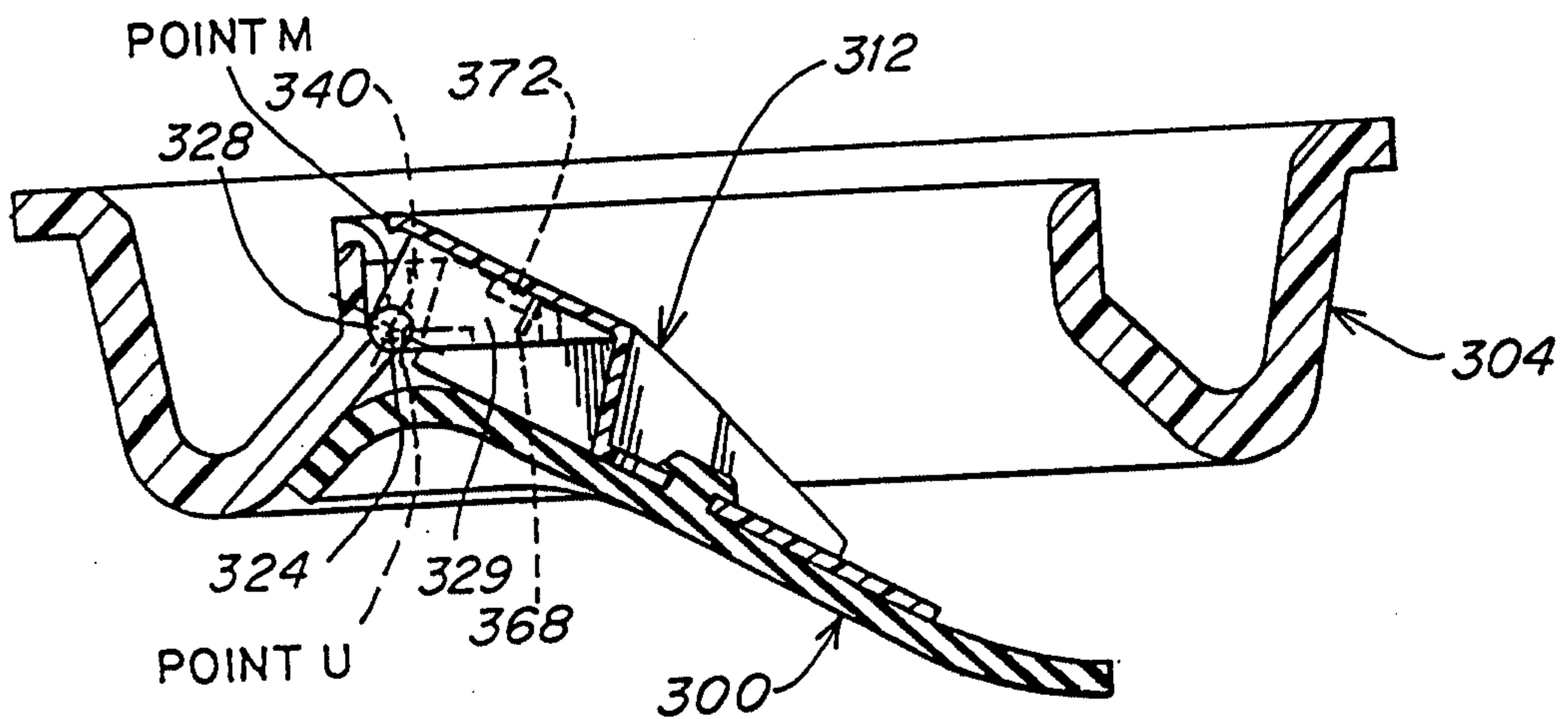


FIG. 32

PCT/US 97/12231
IPEA/US 19 FEB 1998

14/27

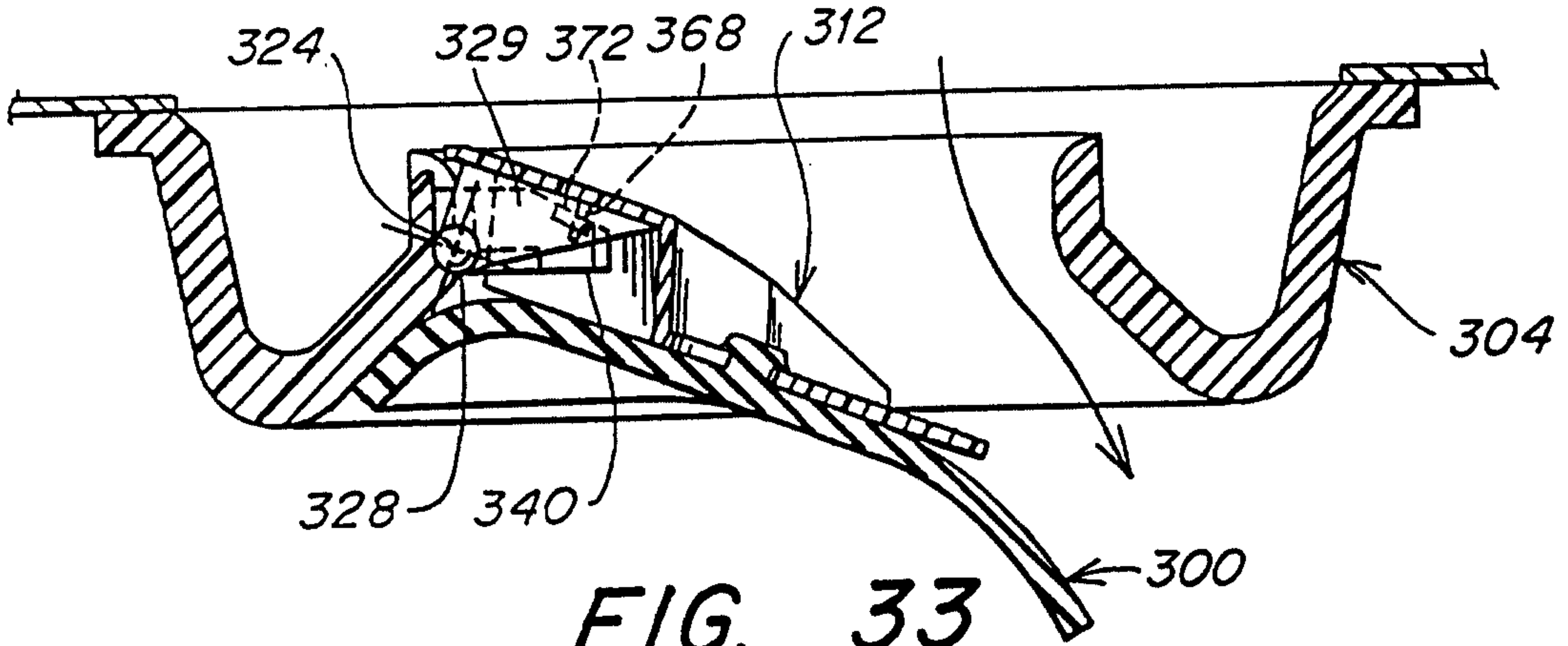


FIG. 33

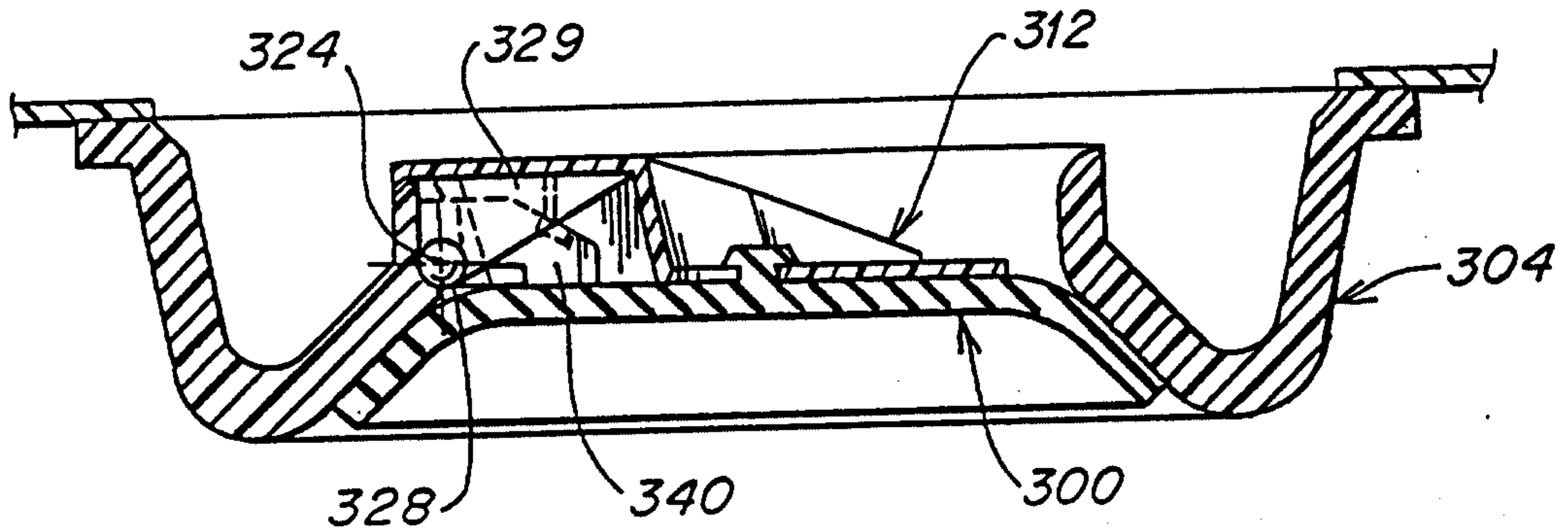


FIG. 34

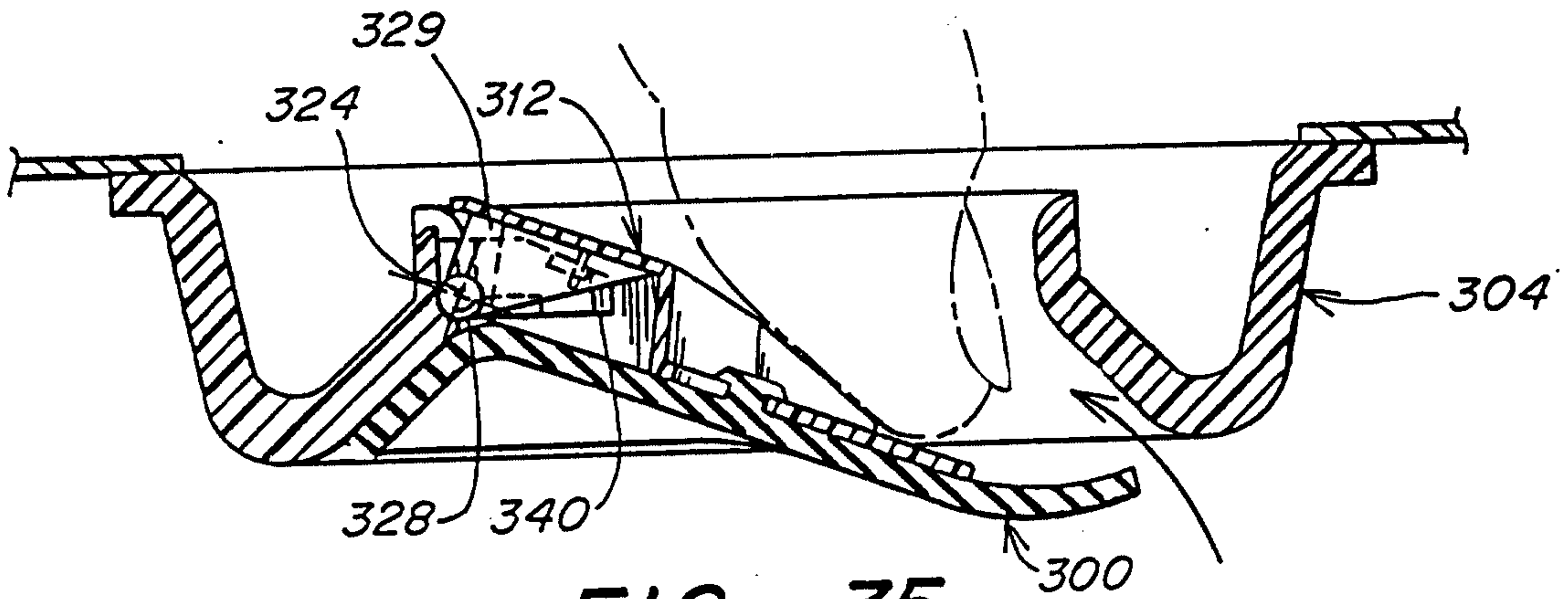


FIG. 35

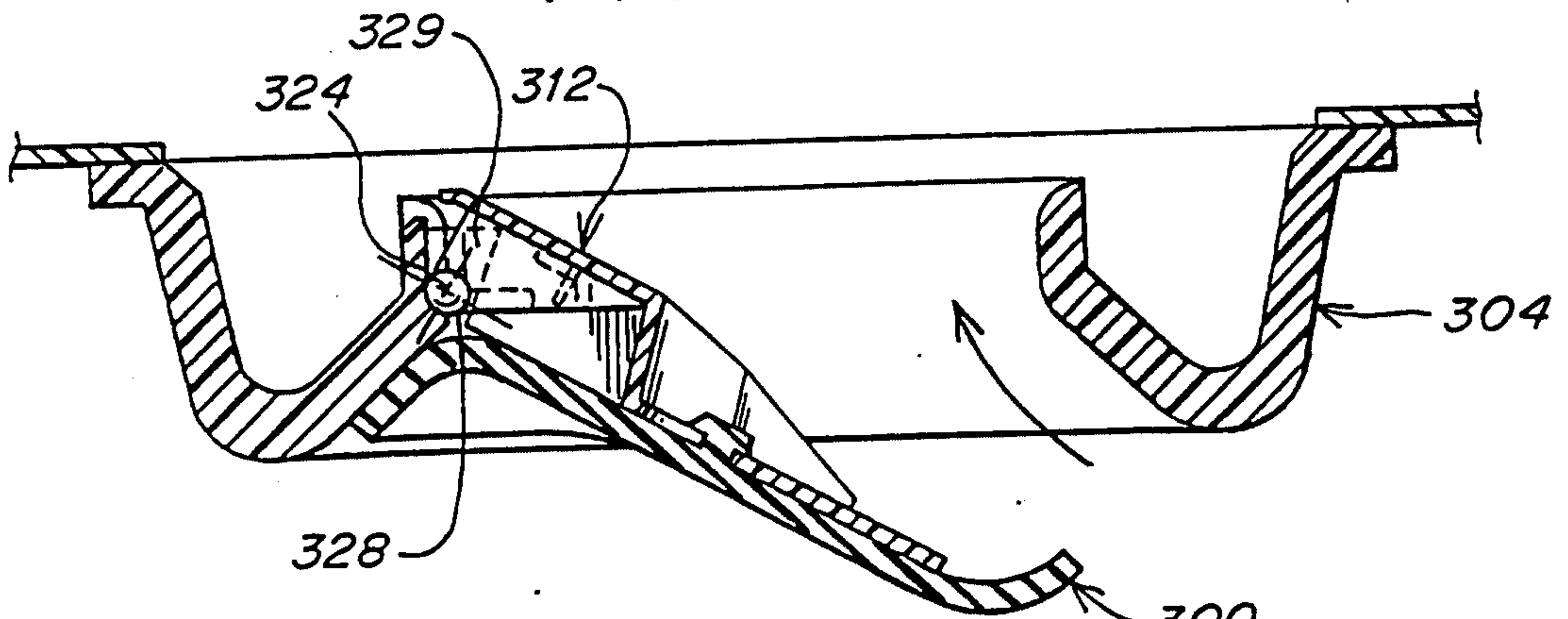


FIG. 36

15/27

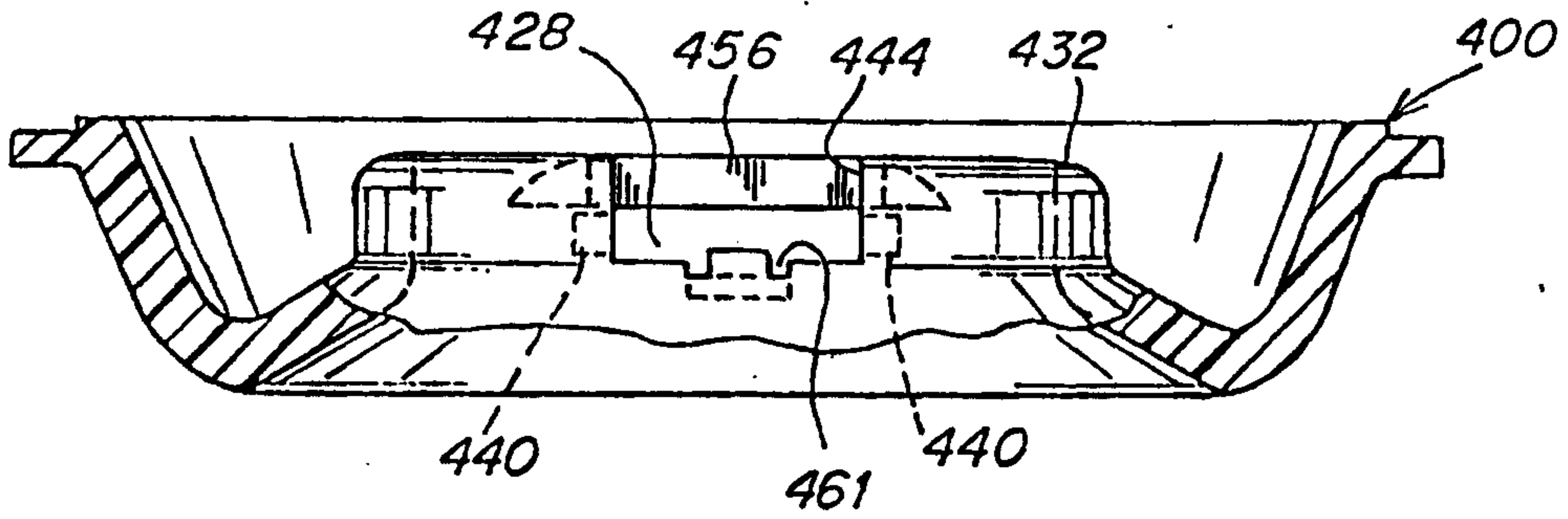


FIG. 37

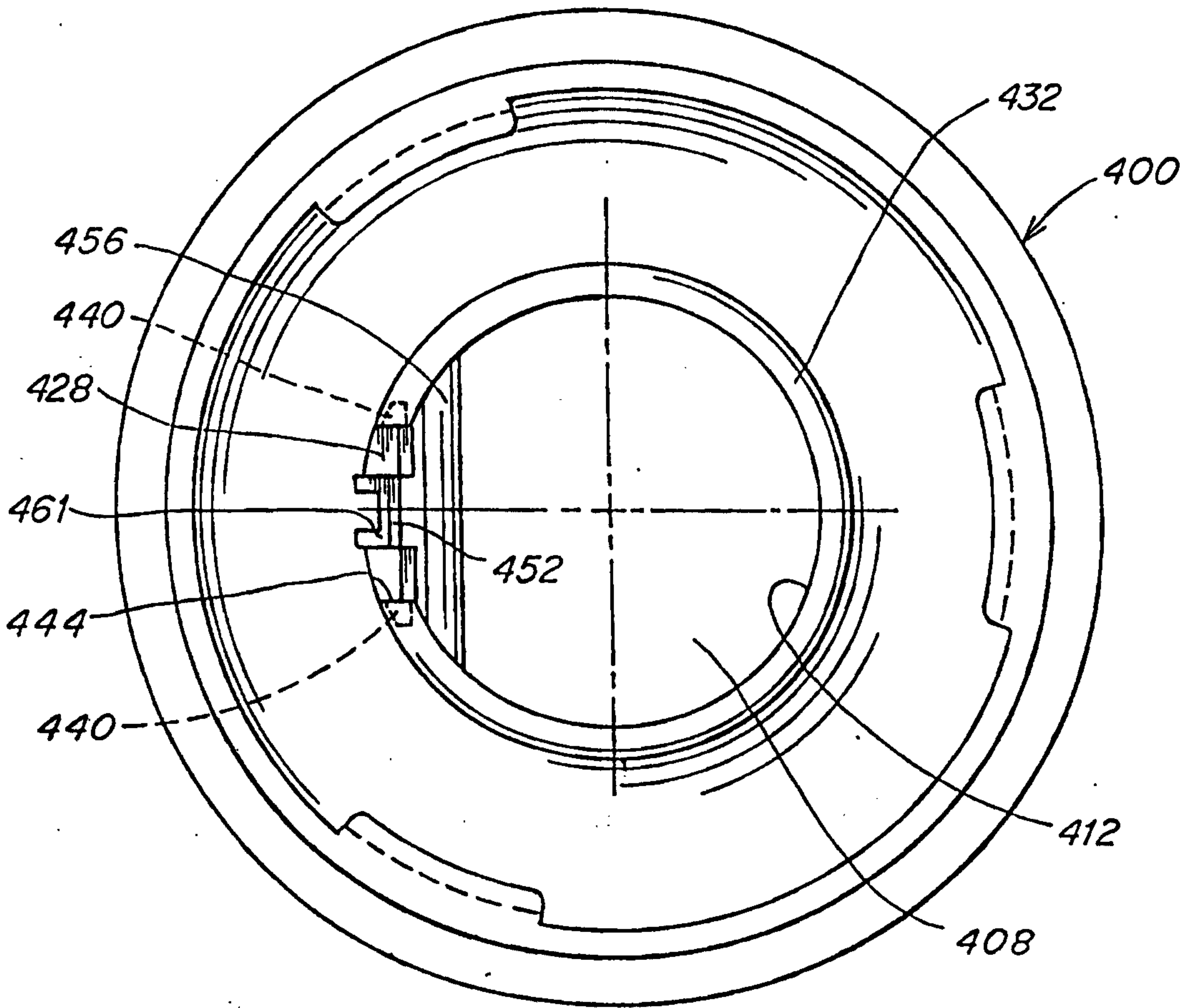


FIG. 38

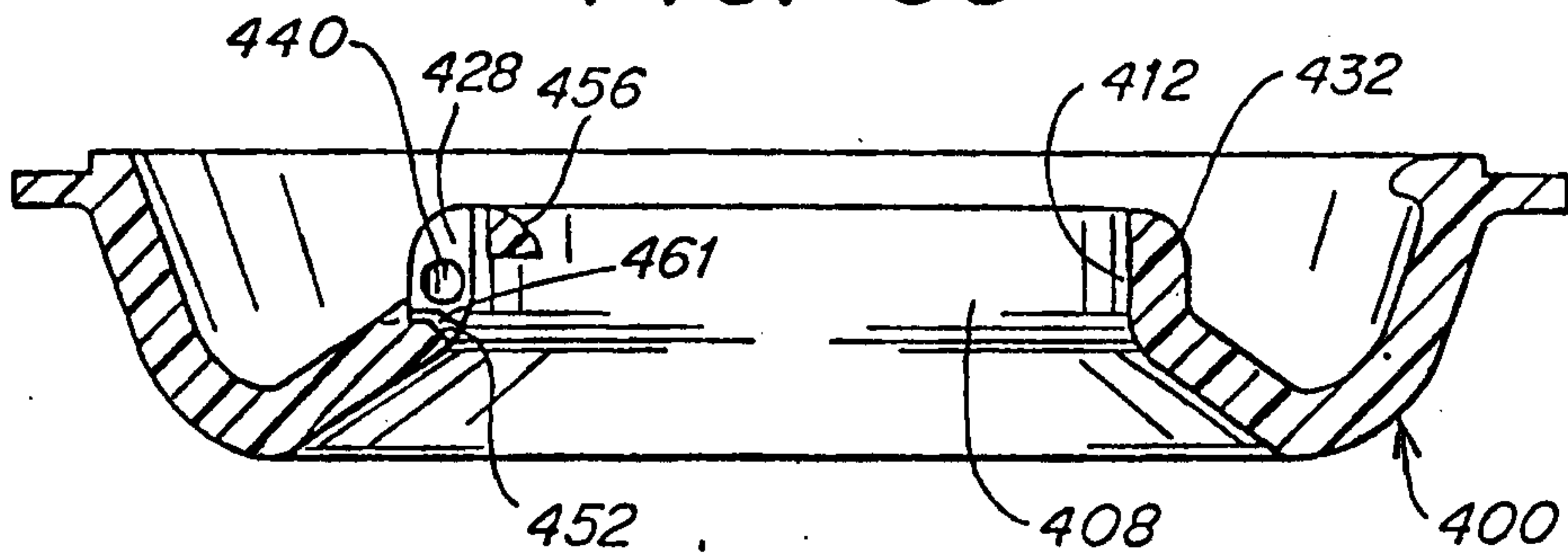


FIG. 39

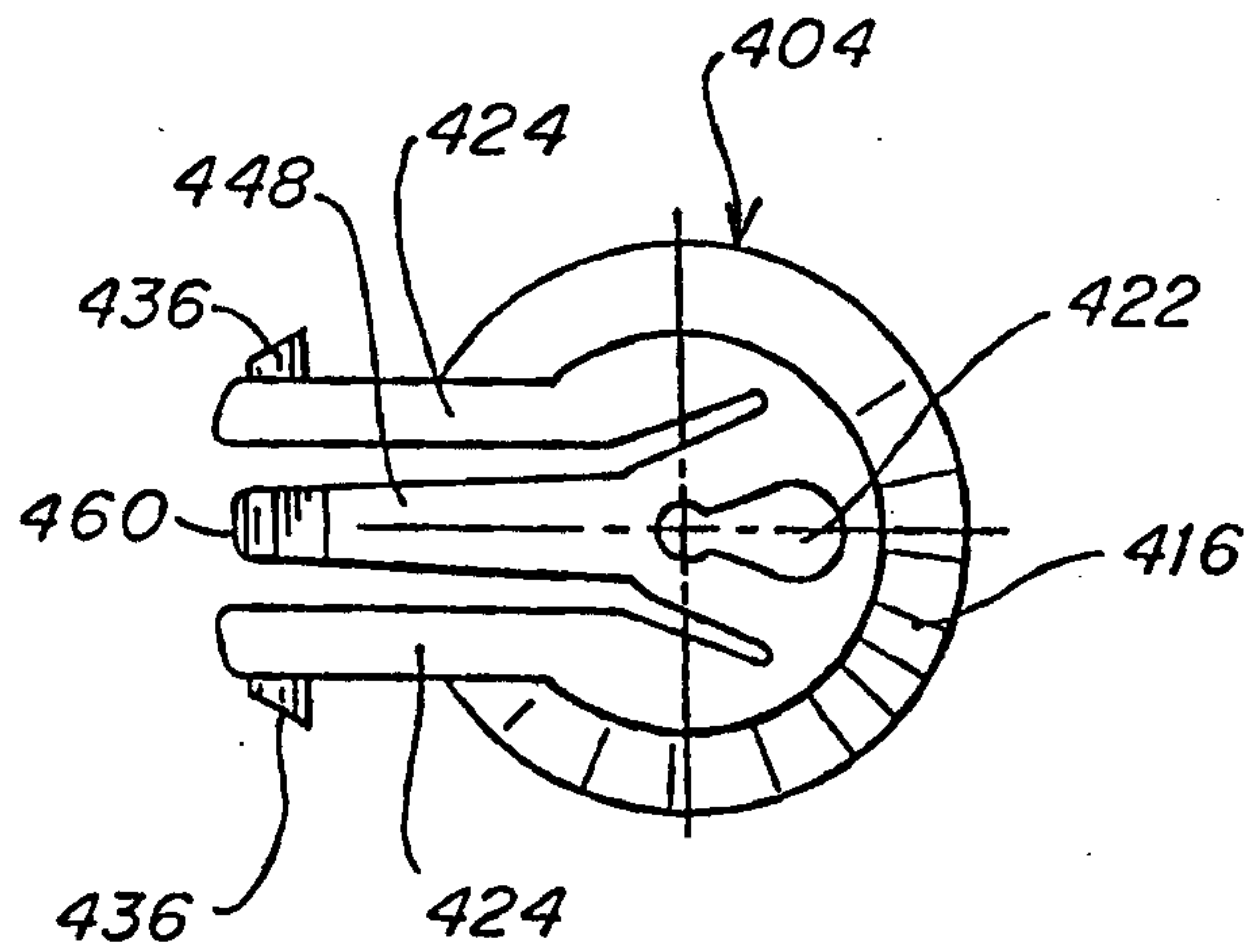


FIG. 40

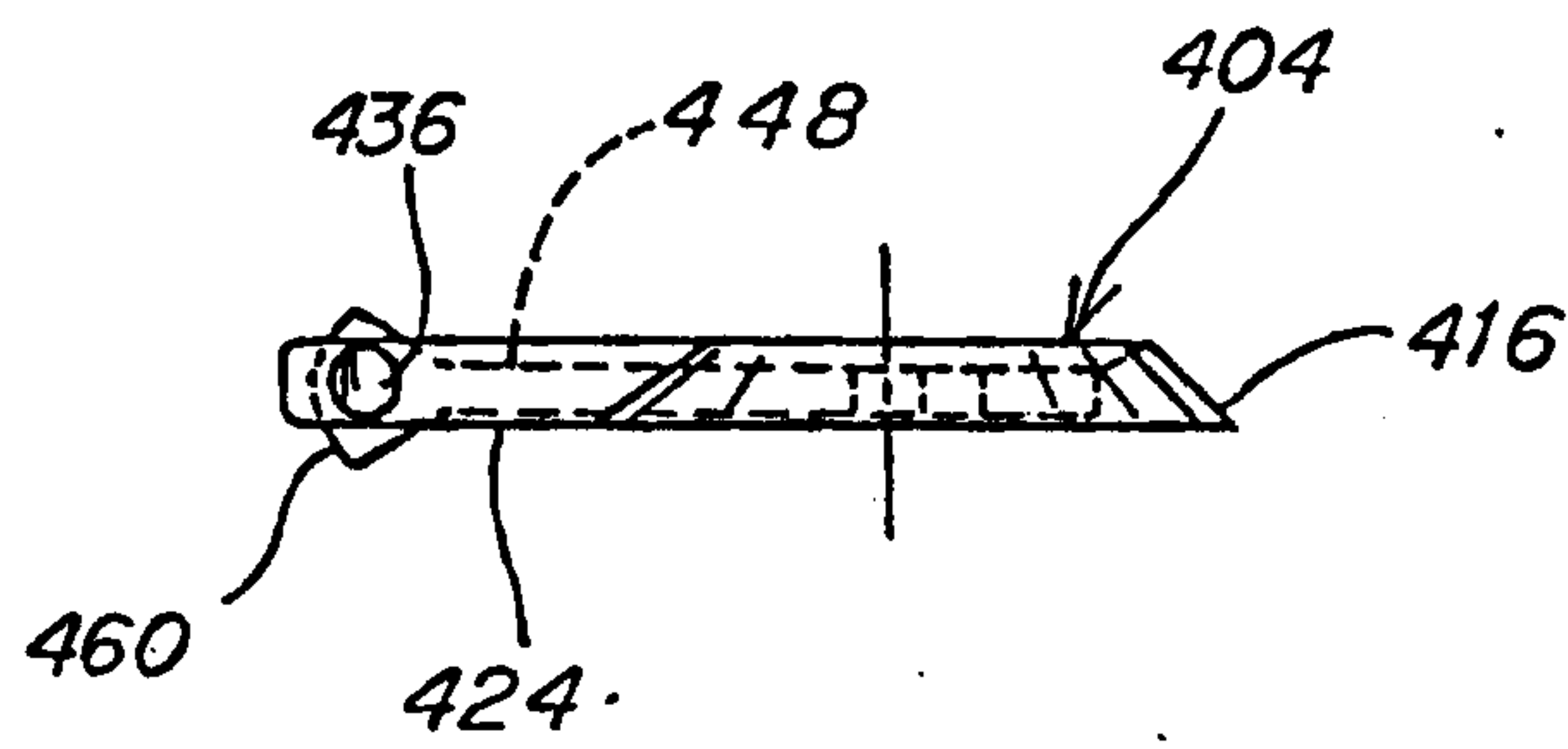


FIG. 41

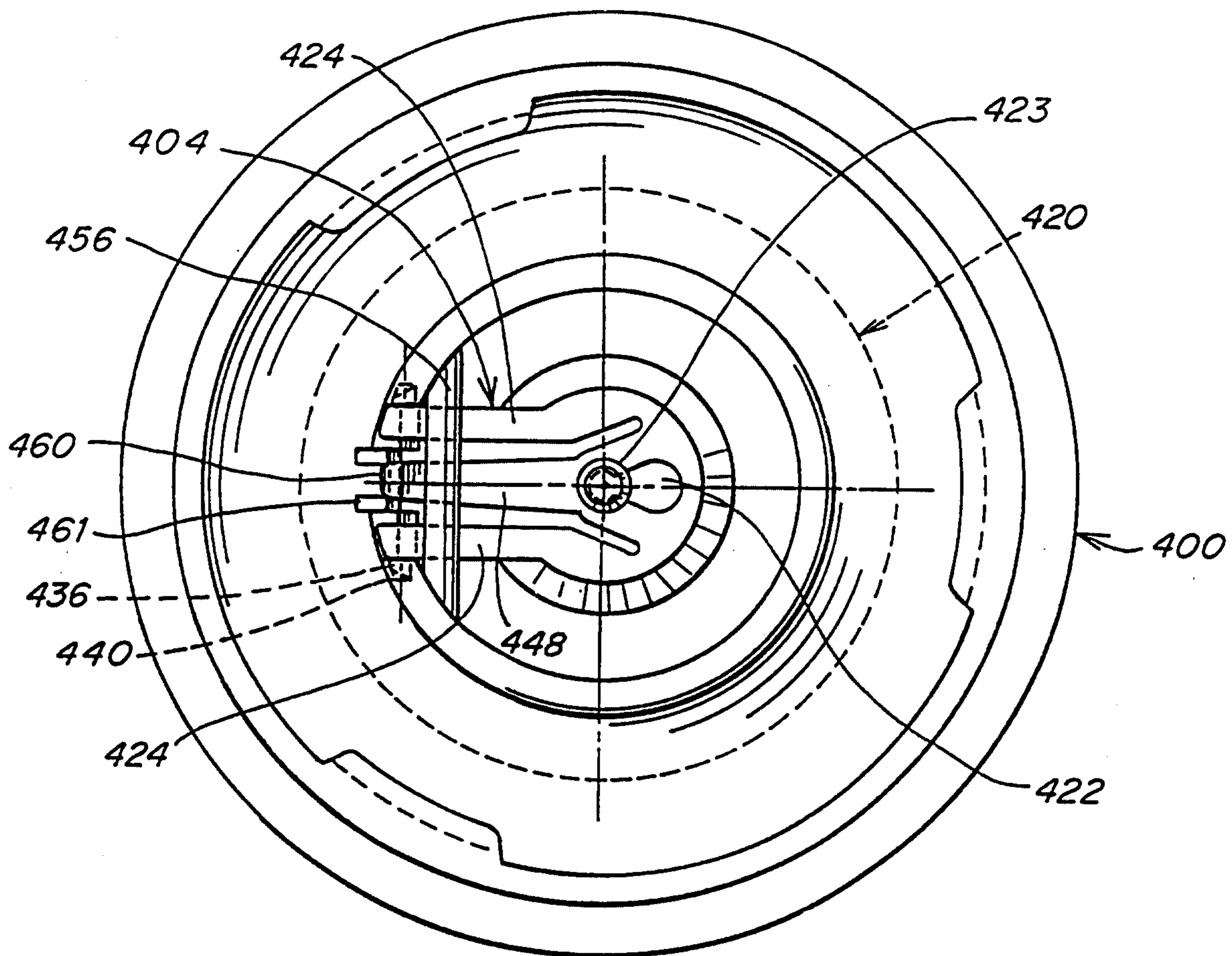


FIG. 42

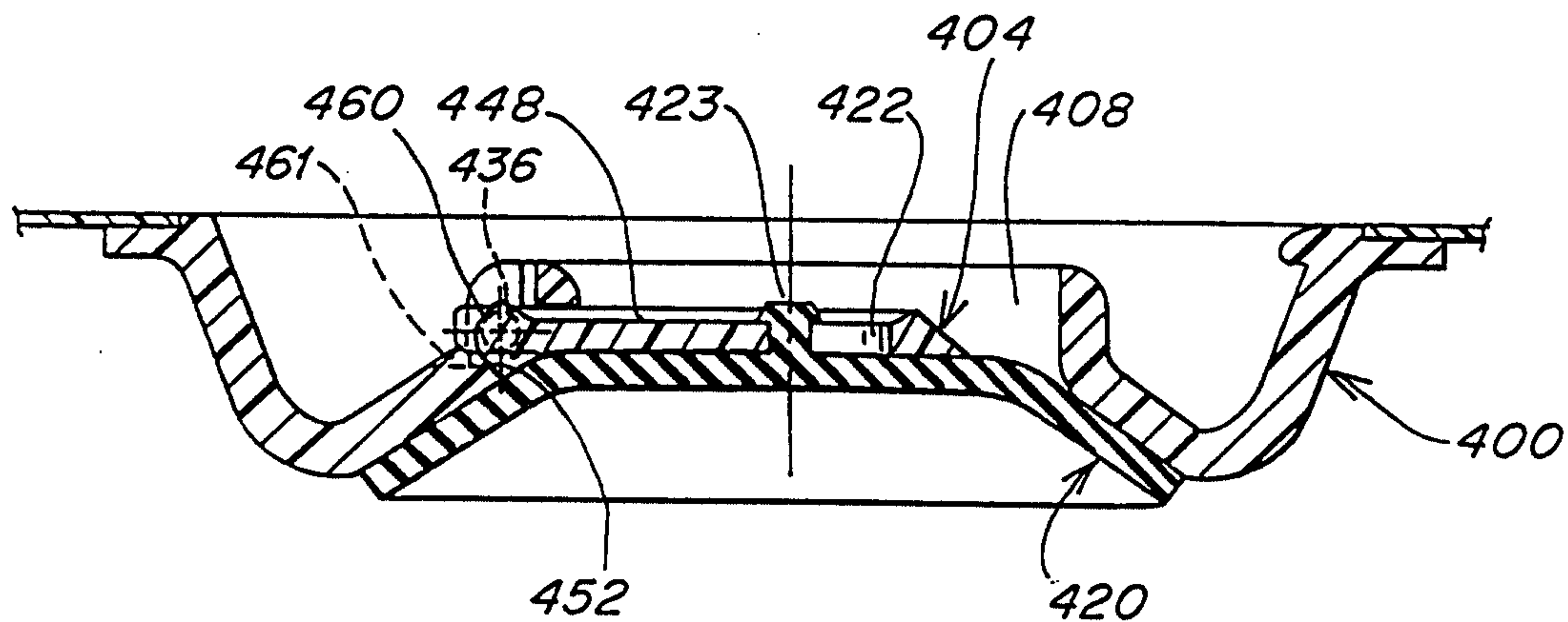


FIG. 43

18/27

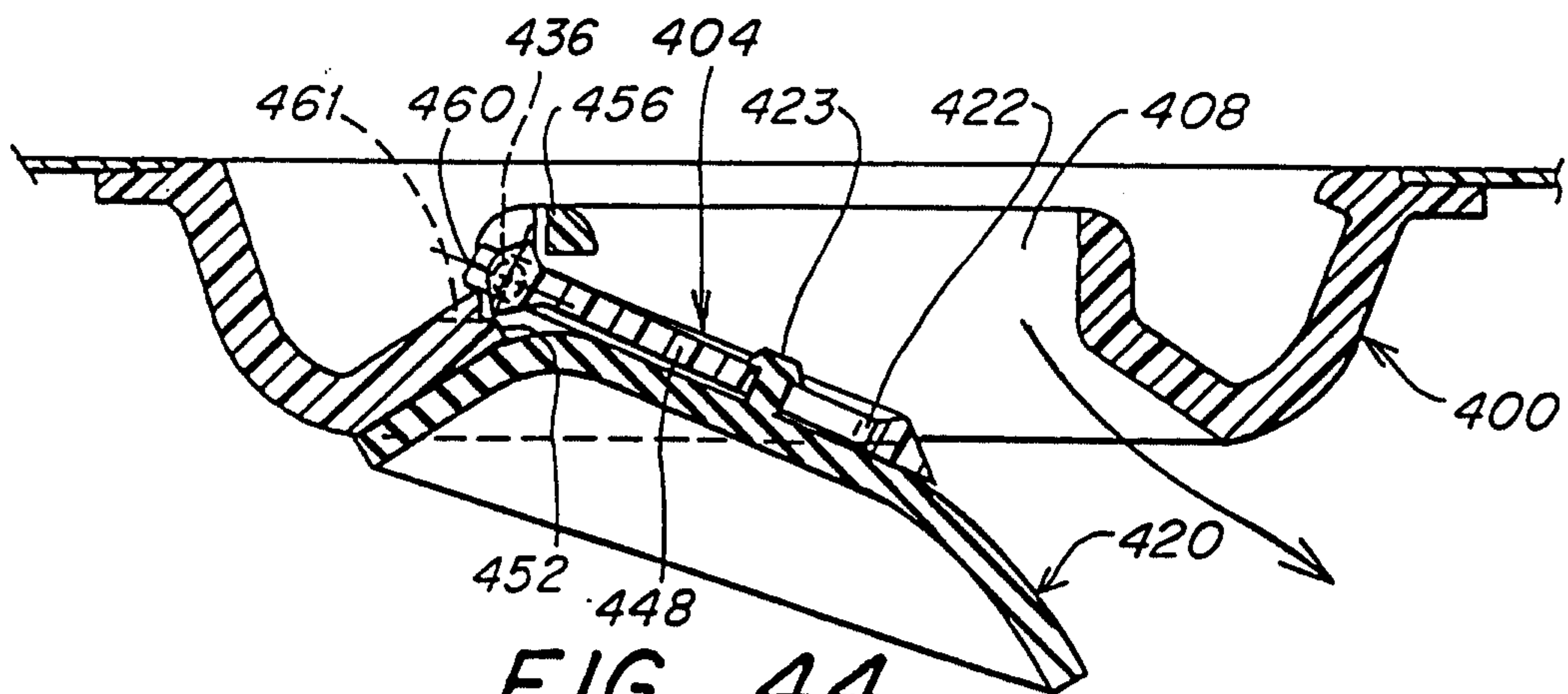


FIG. 44

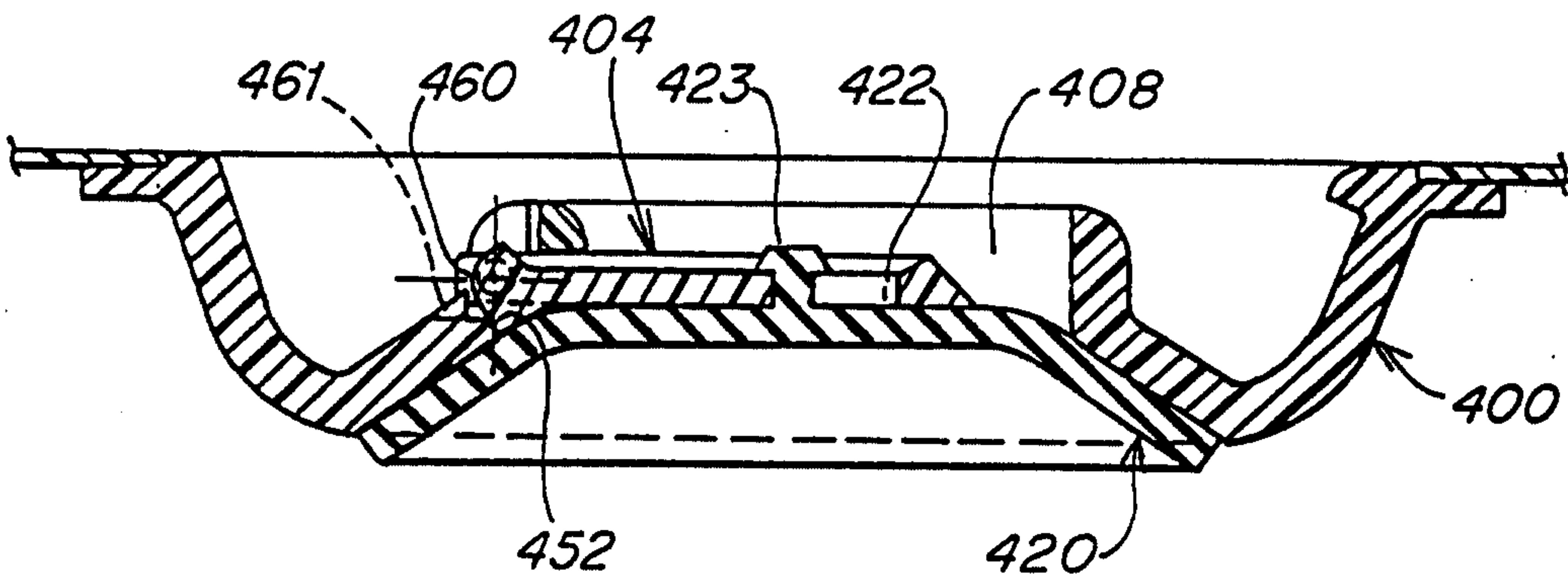


FIG. 45

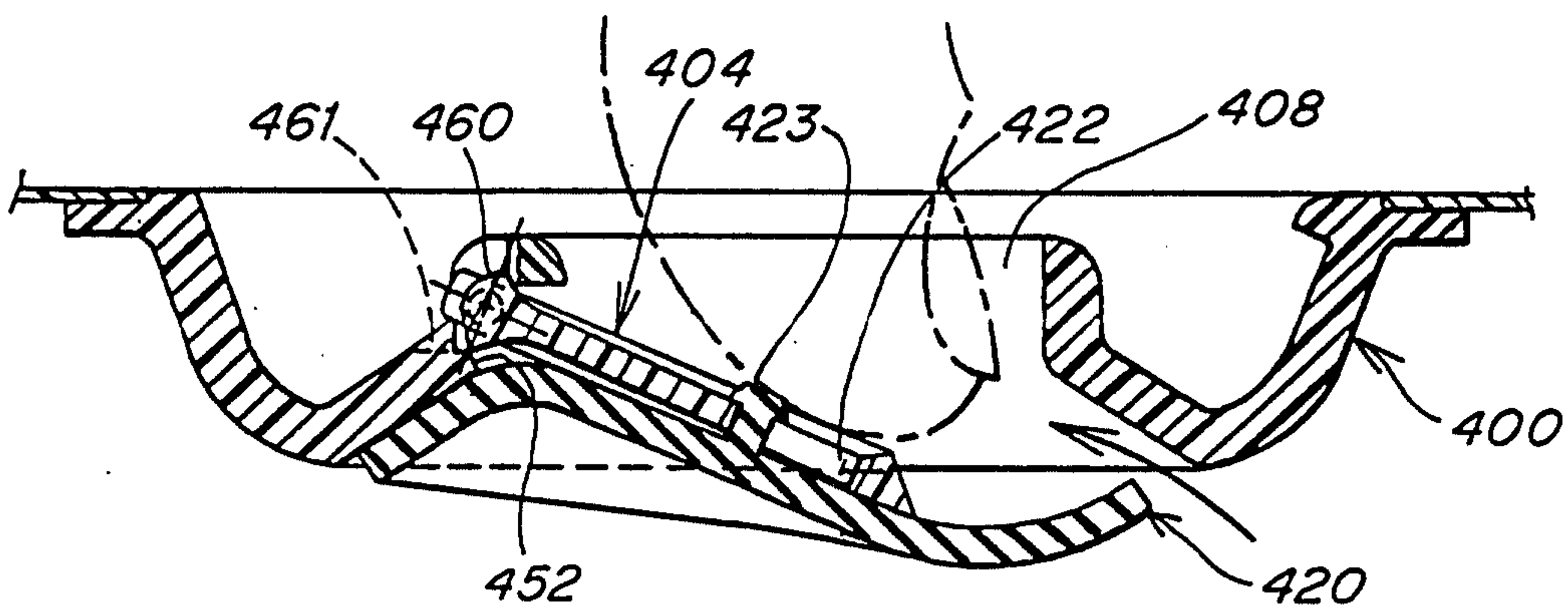


FIG. 46

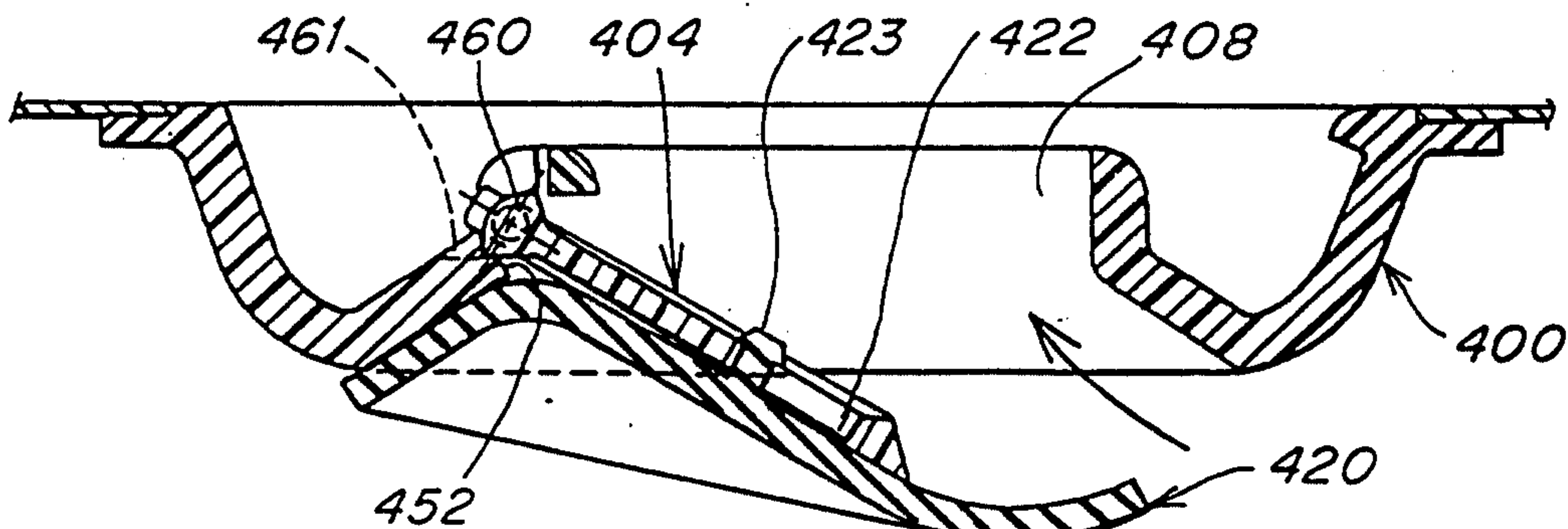


FIG. 47

19/27

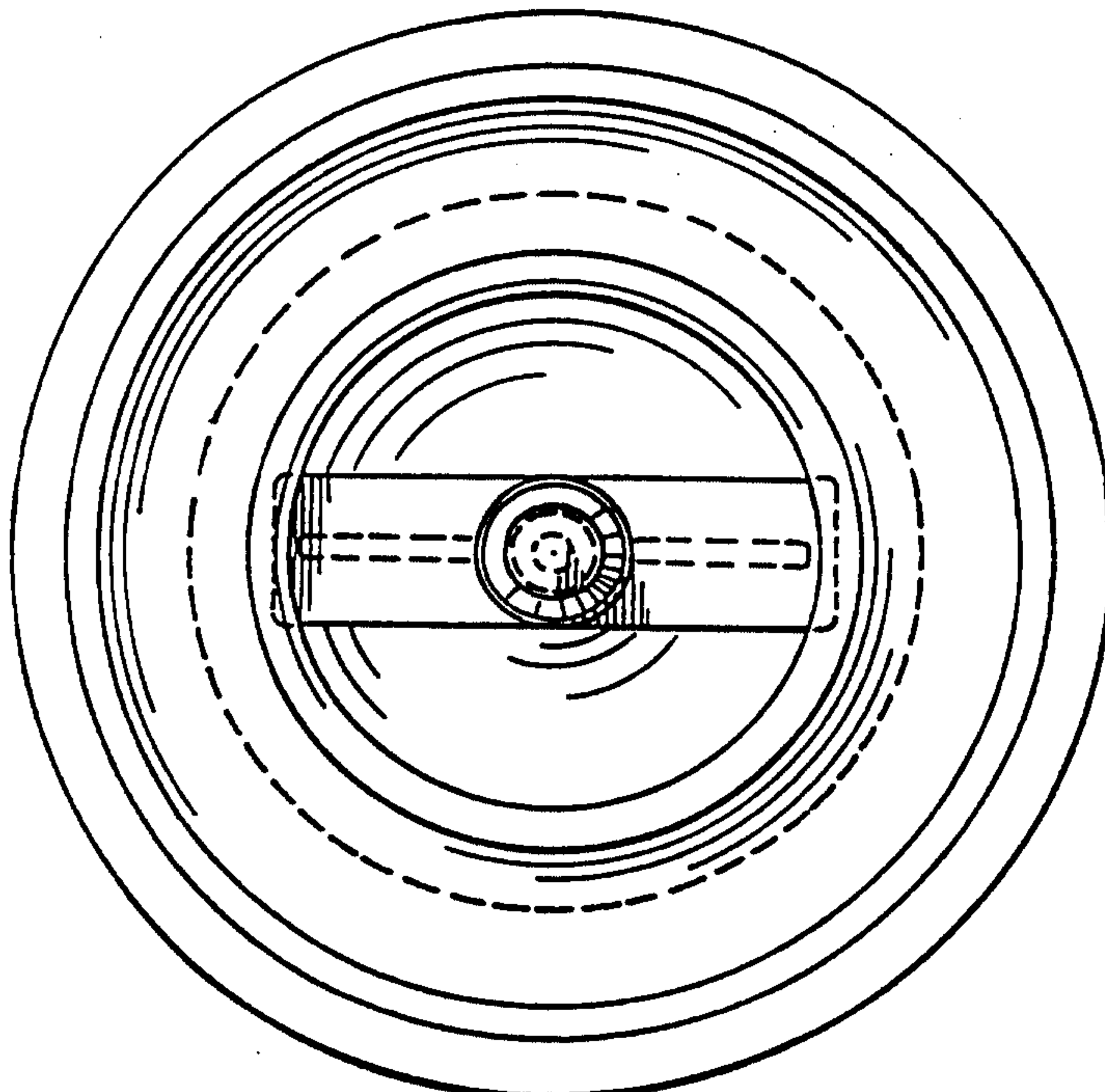


FIG. 48

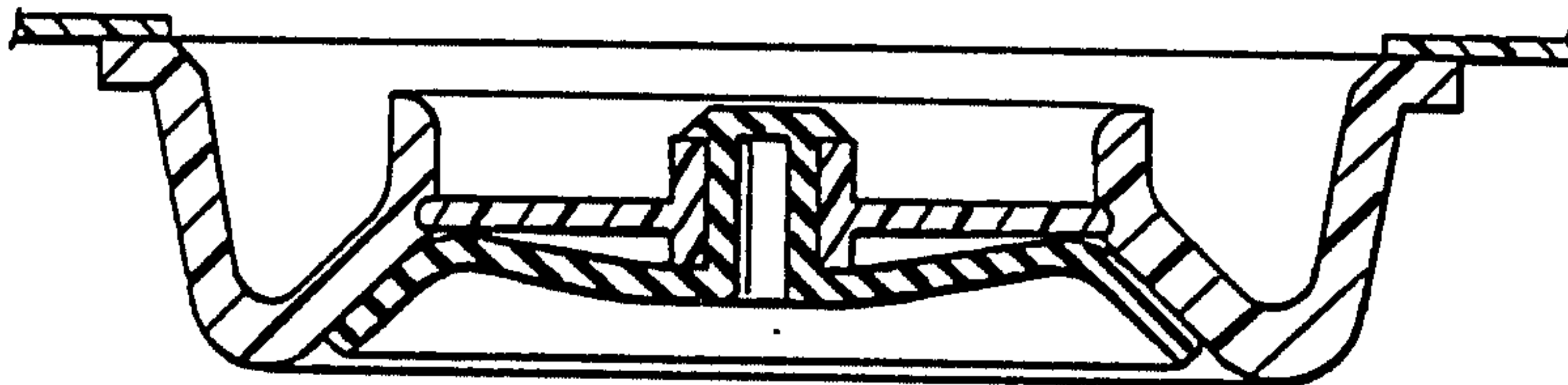


FIG. 49

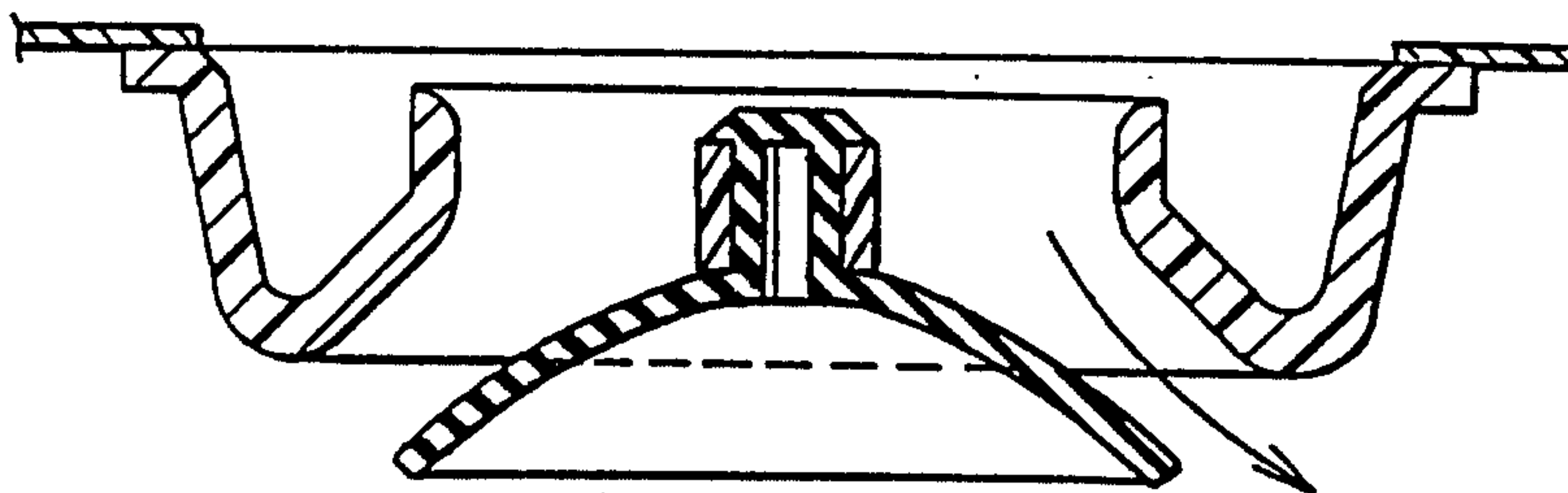


FIG. 50

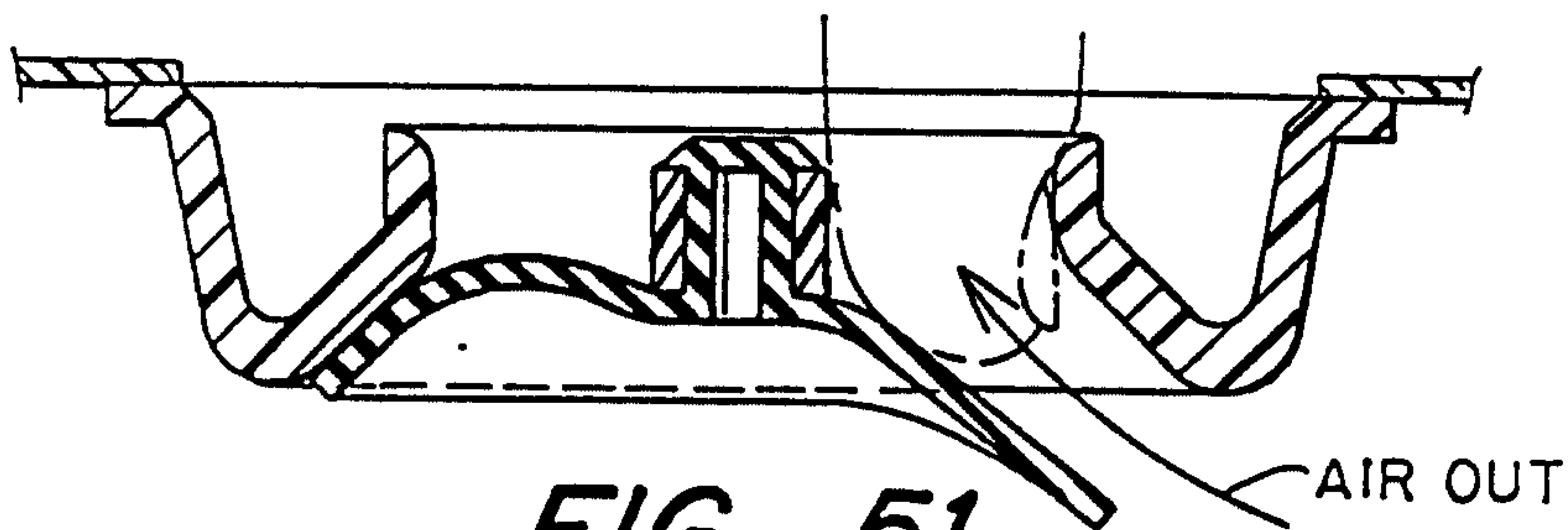


FIG. 51

20/27

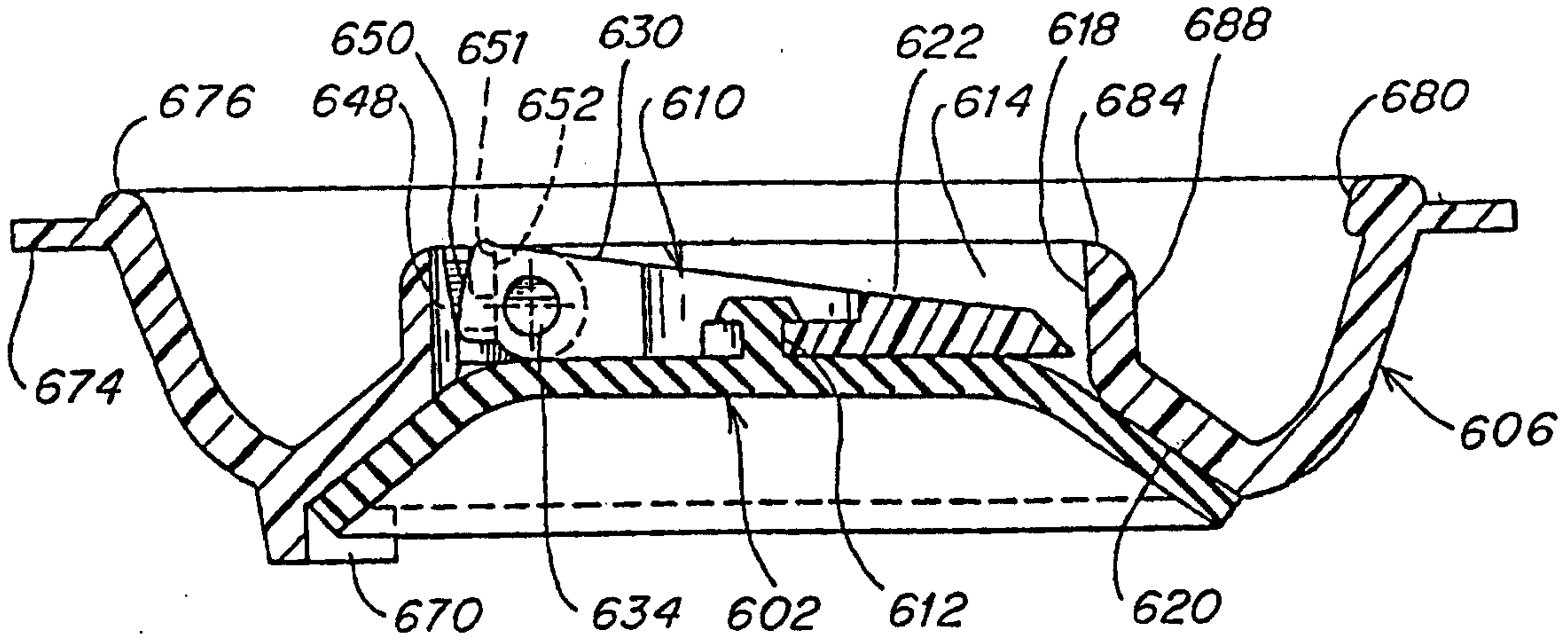


FIG. 52

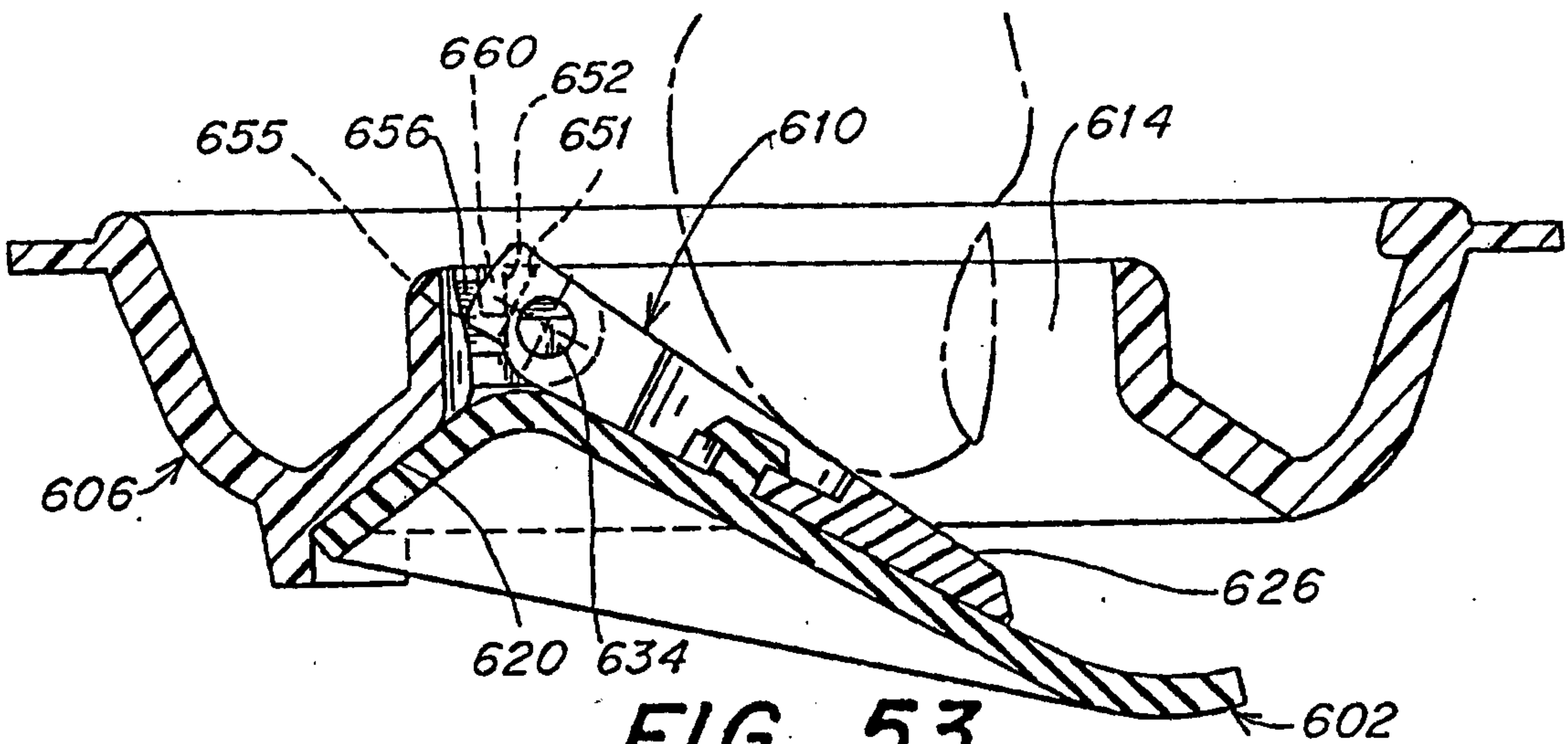


FIG. 53

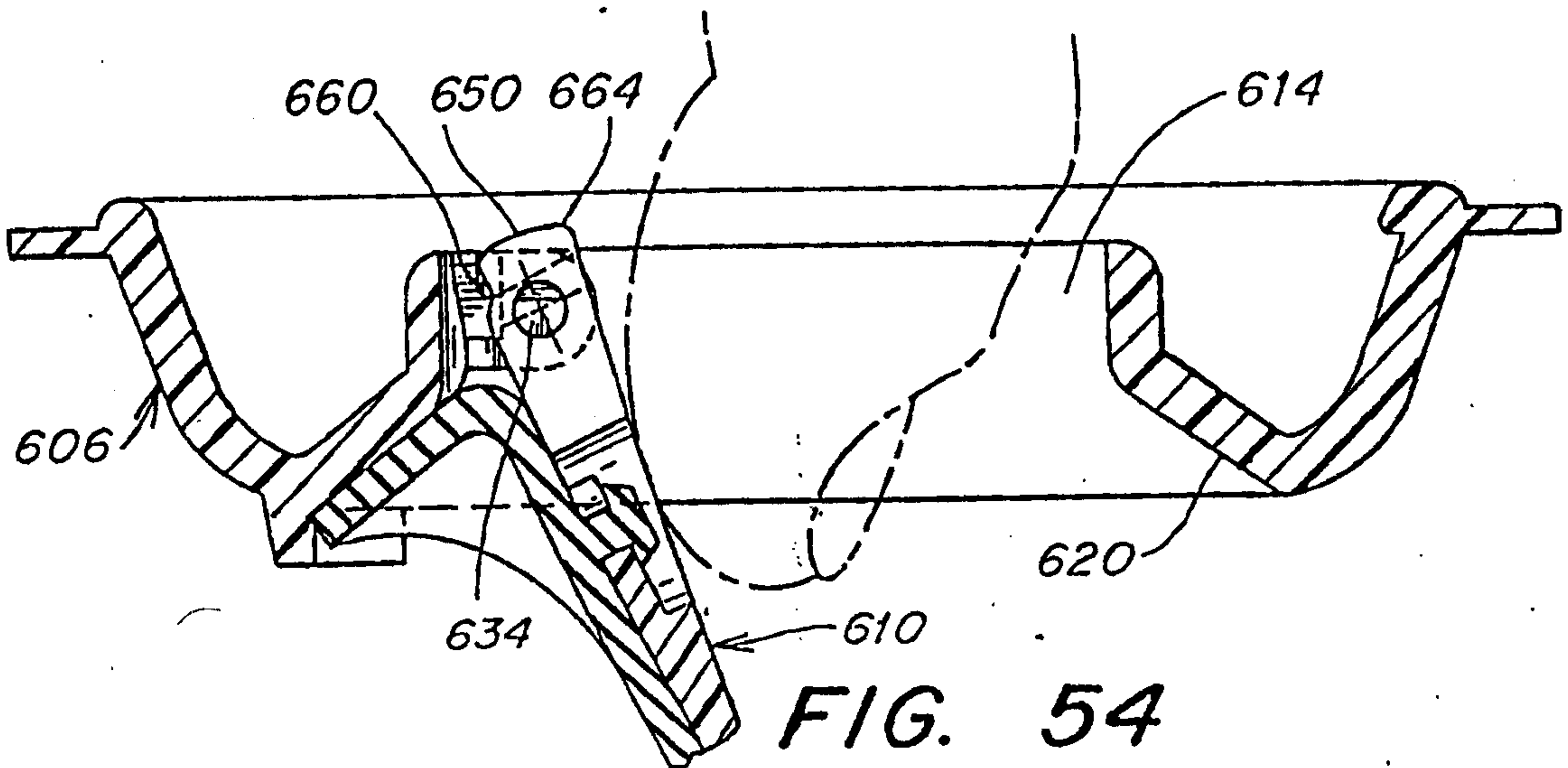


FIG. 54

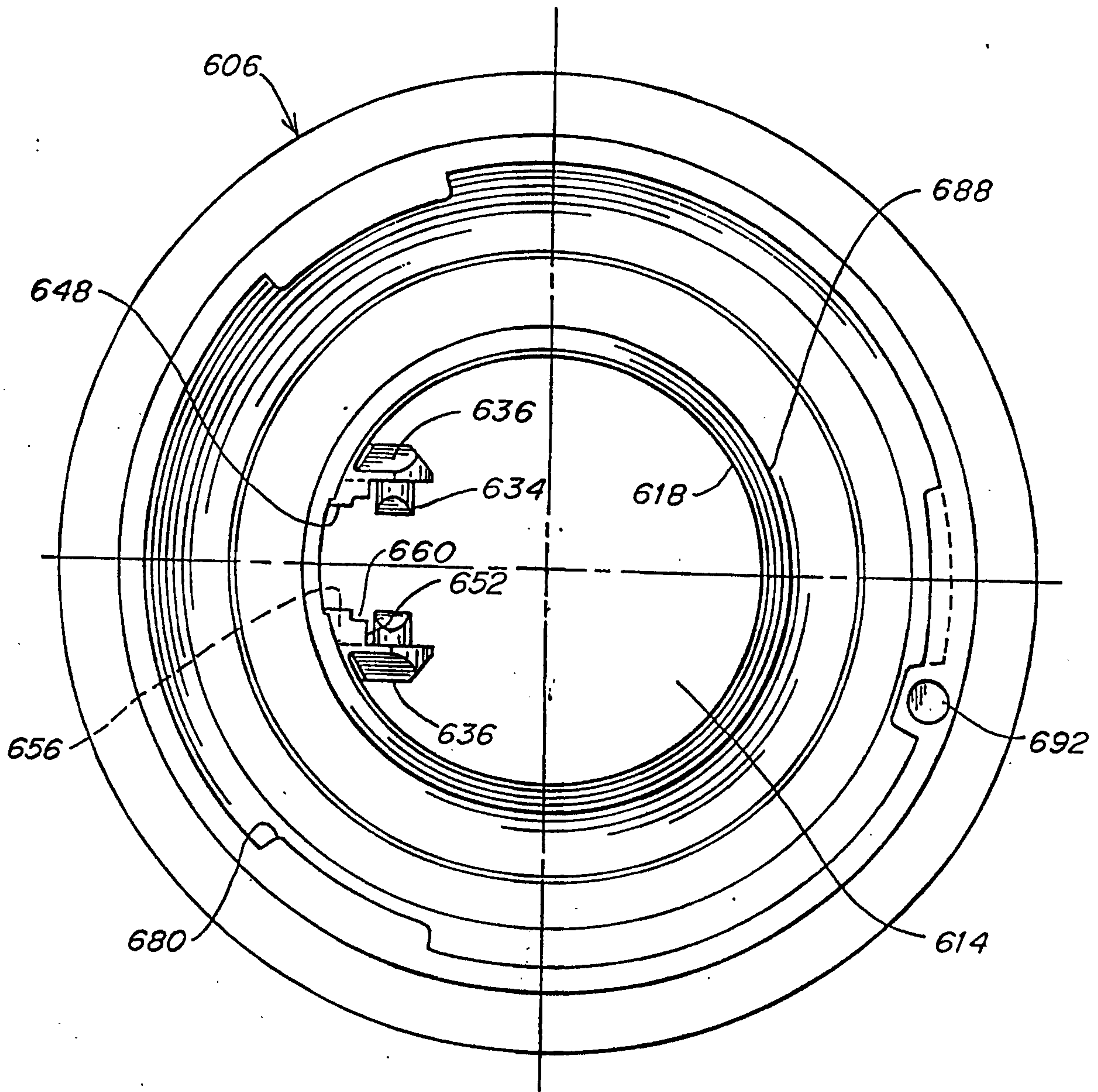


FIG. 55

22/27

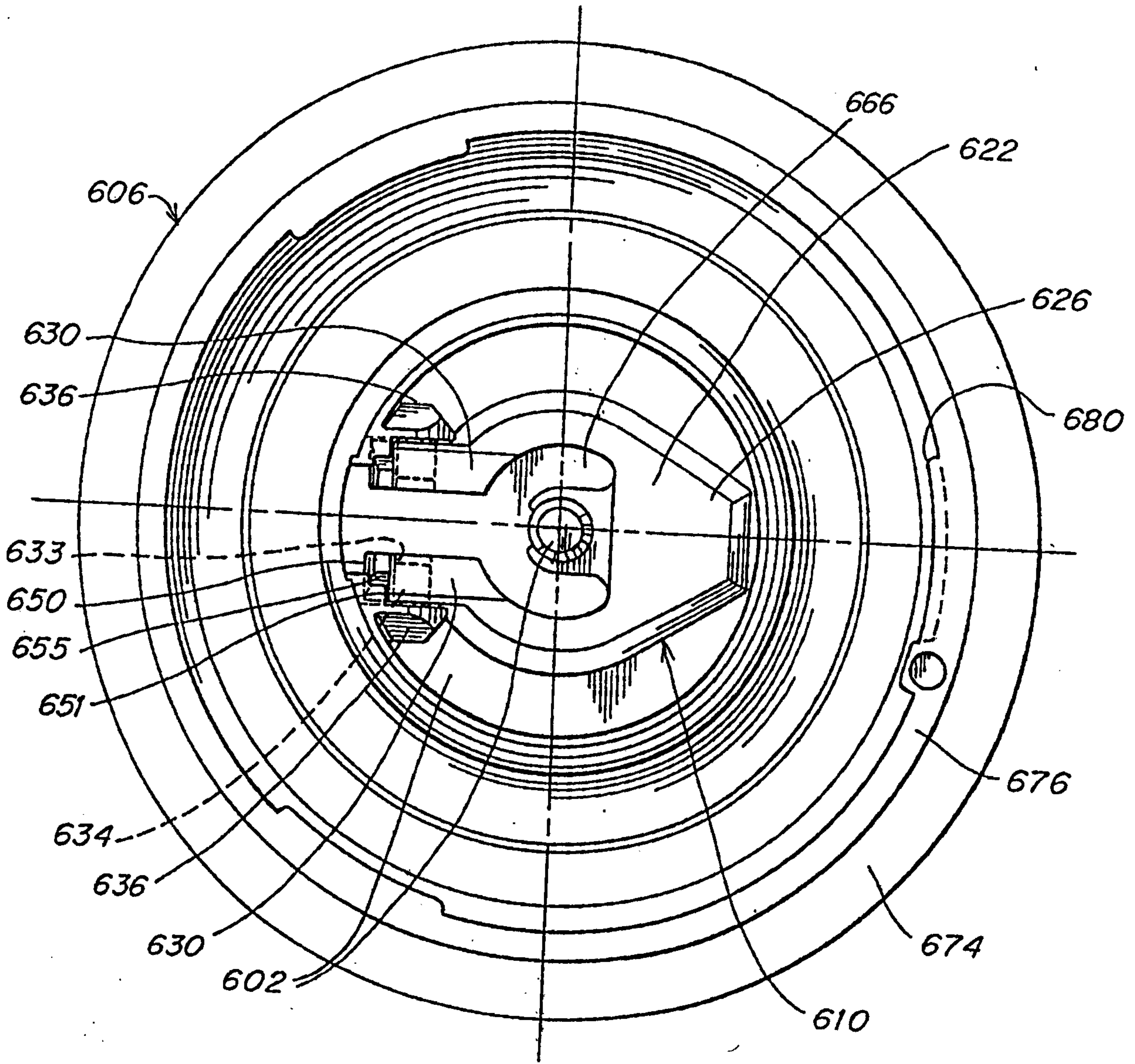


FIG. 56

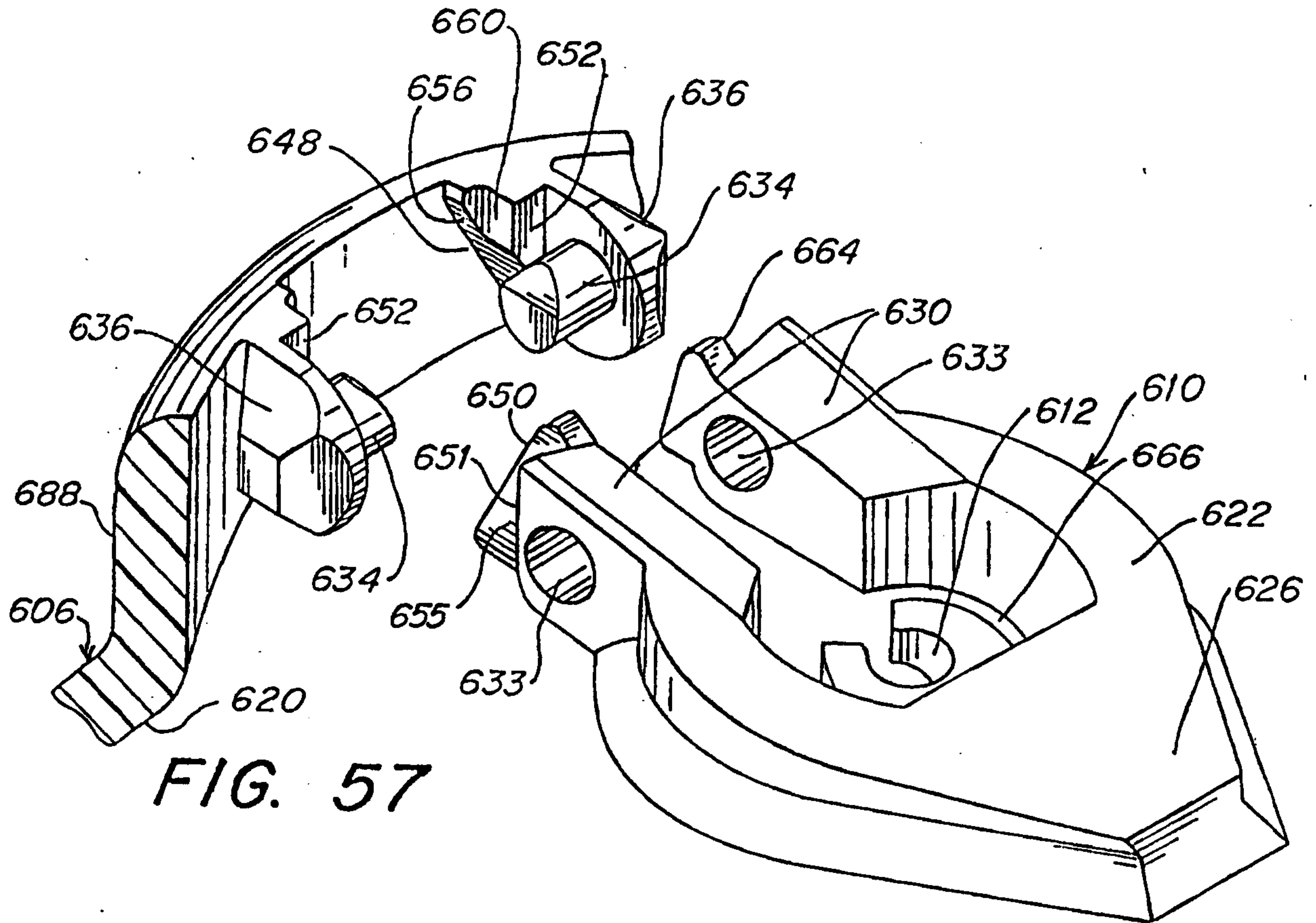


FIG. 57

FIG. 58

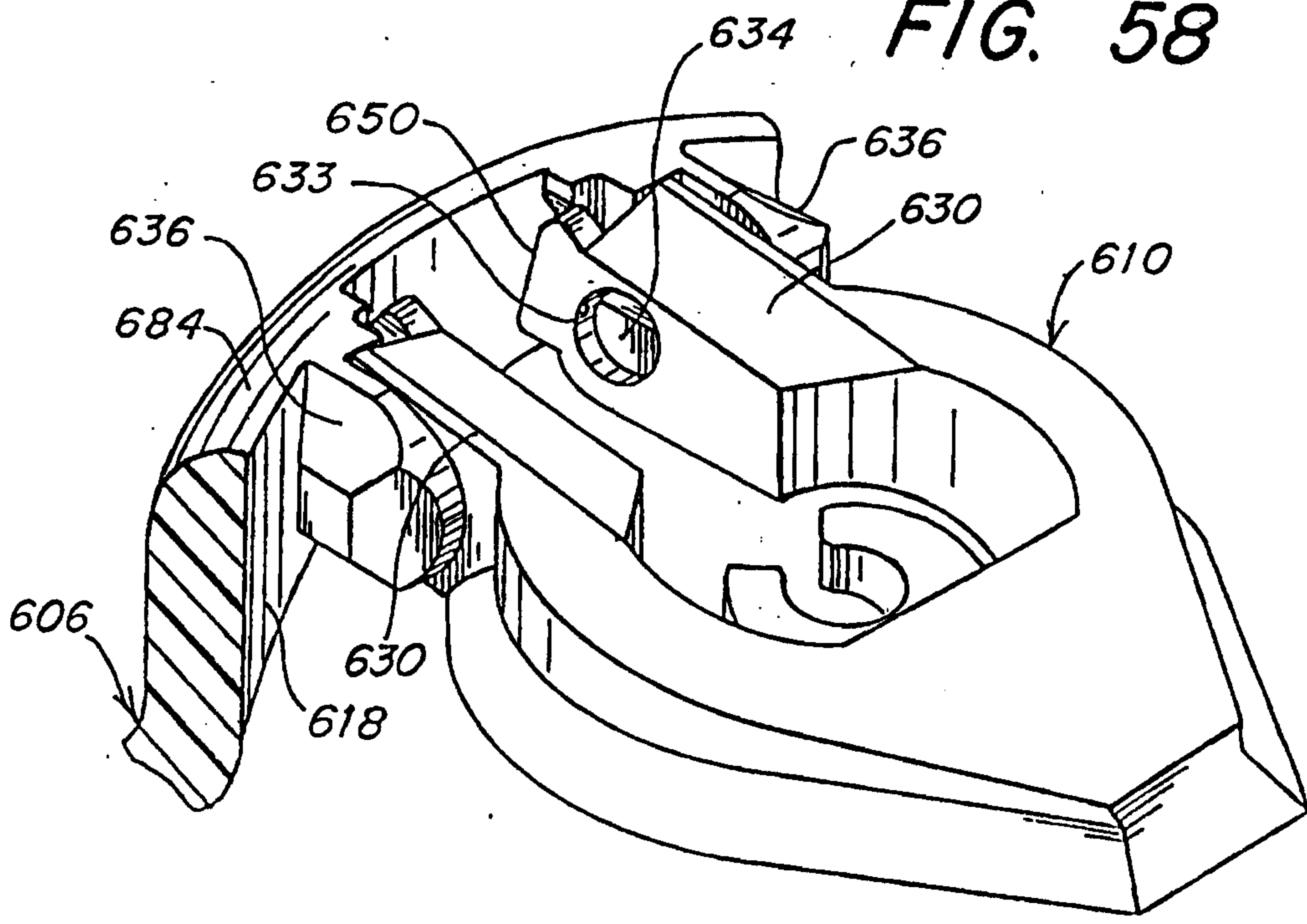


FIG. 59

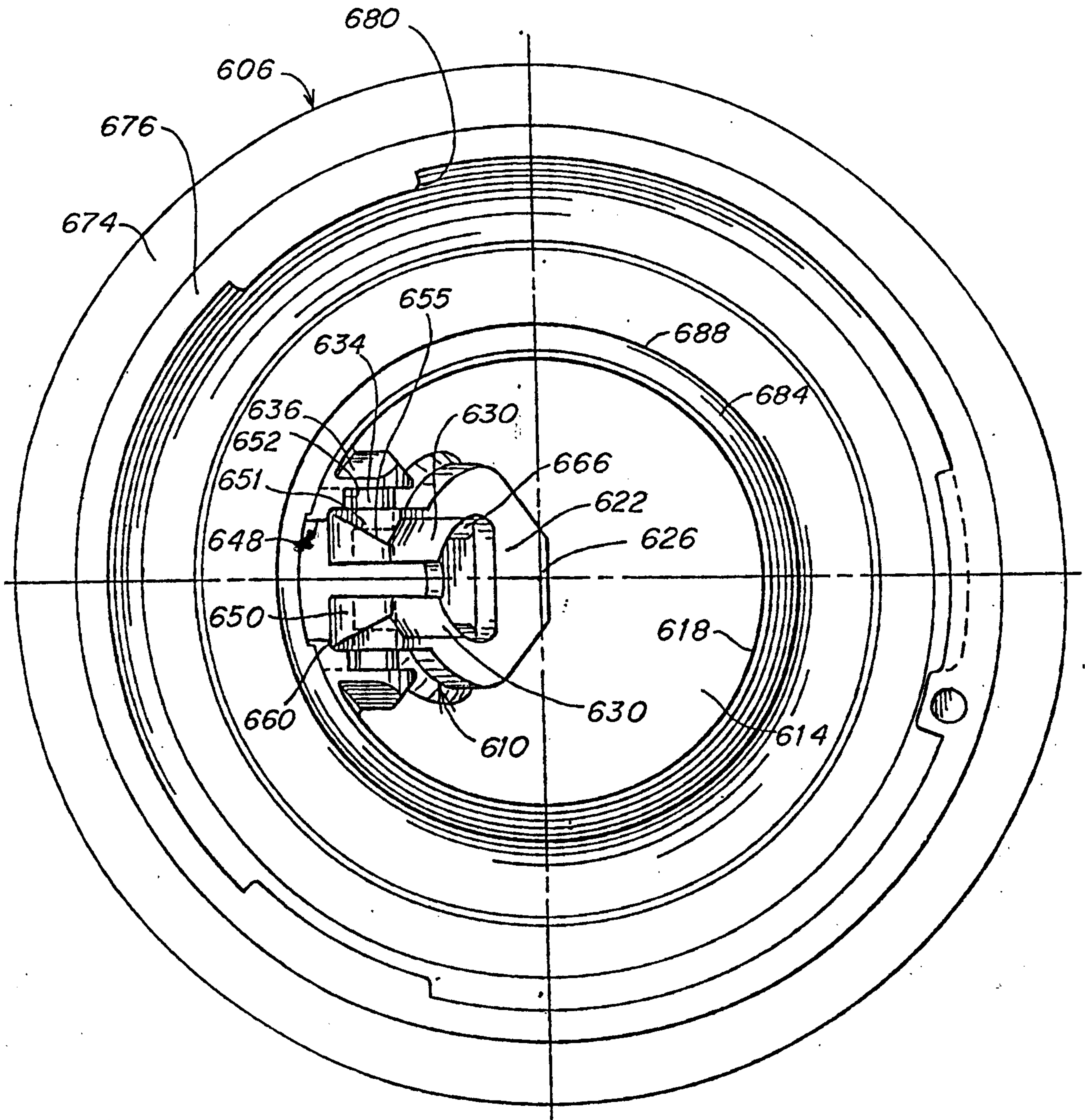


FIG. 60

25/27

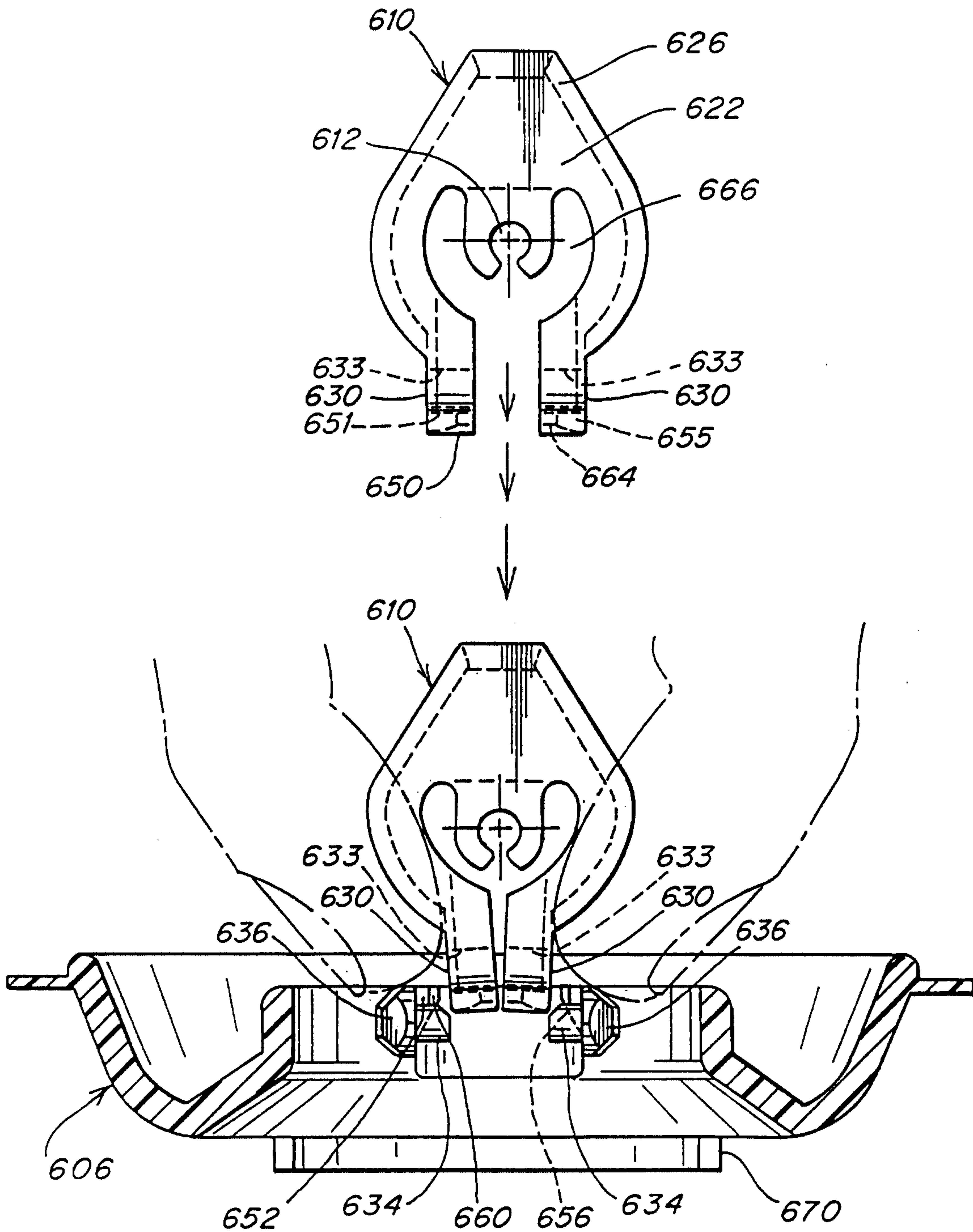


FIG. 61

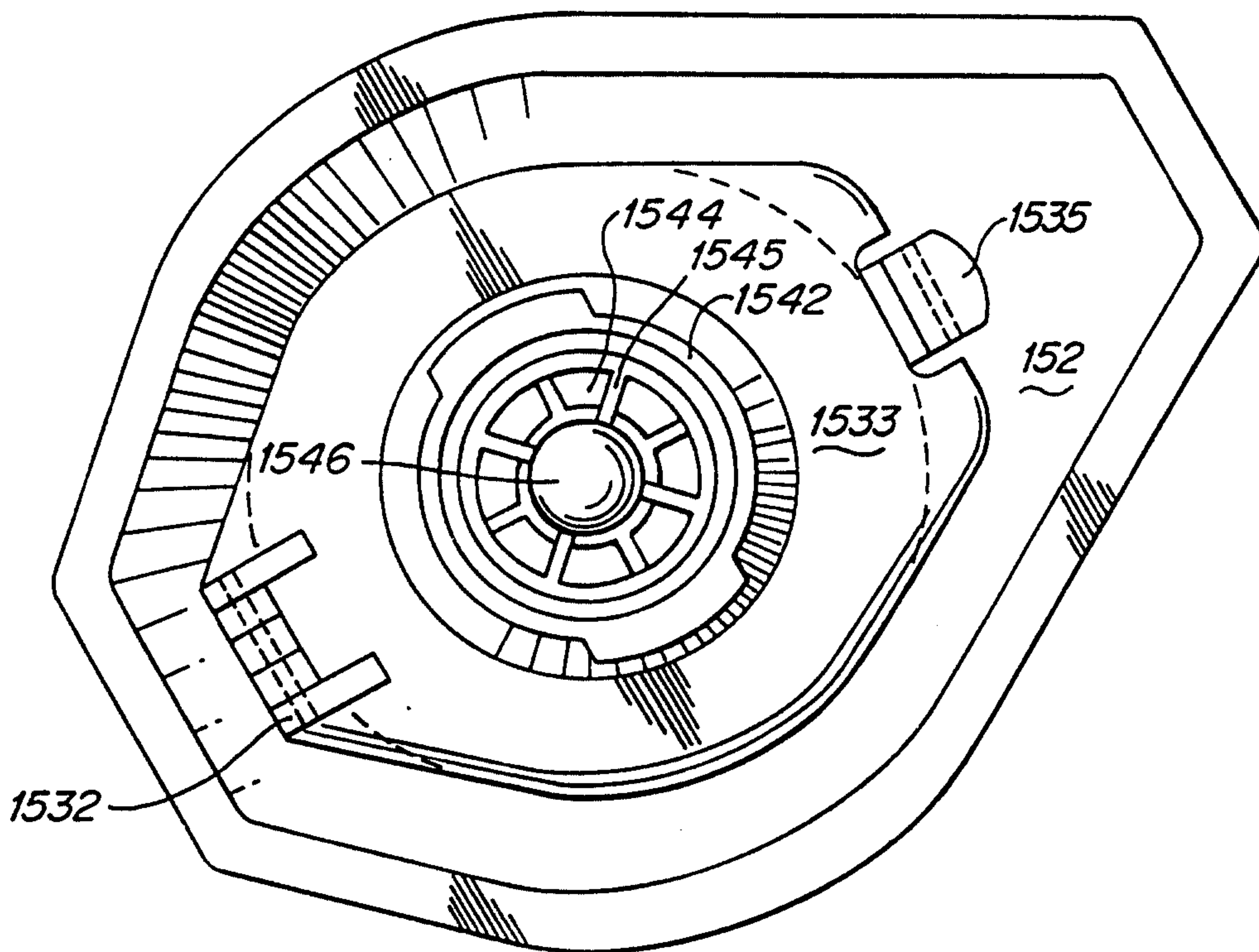


FIG. 62

(PRIOR ART)

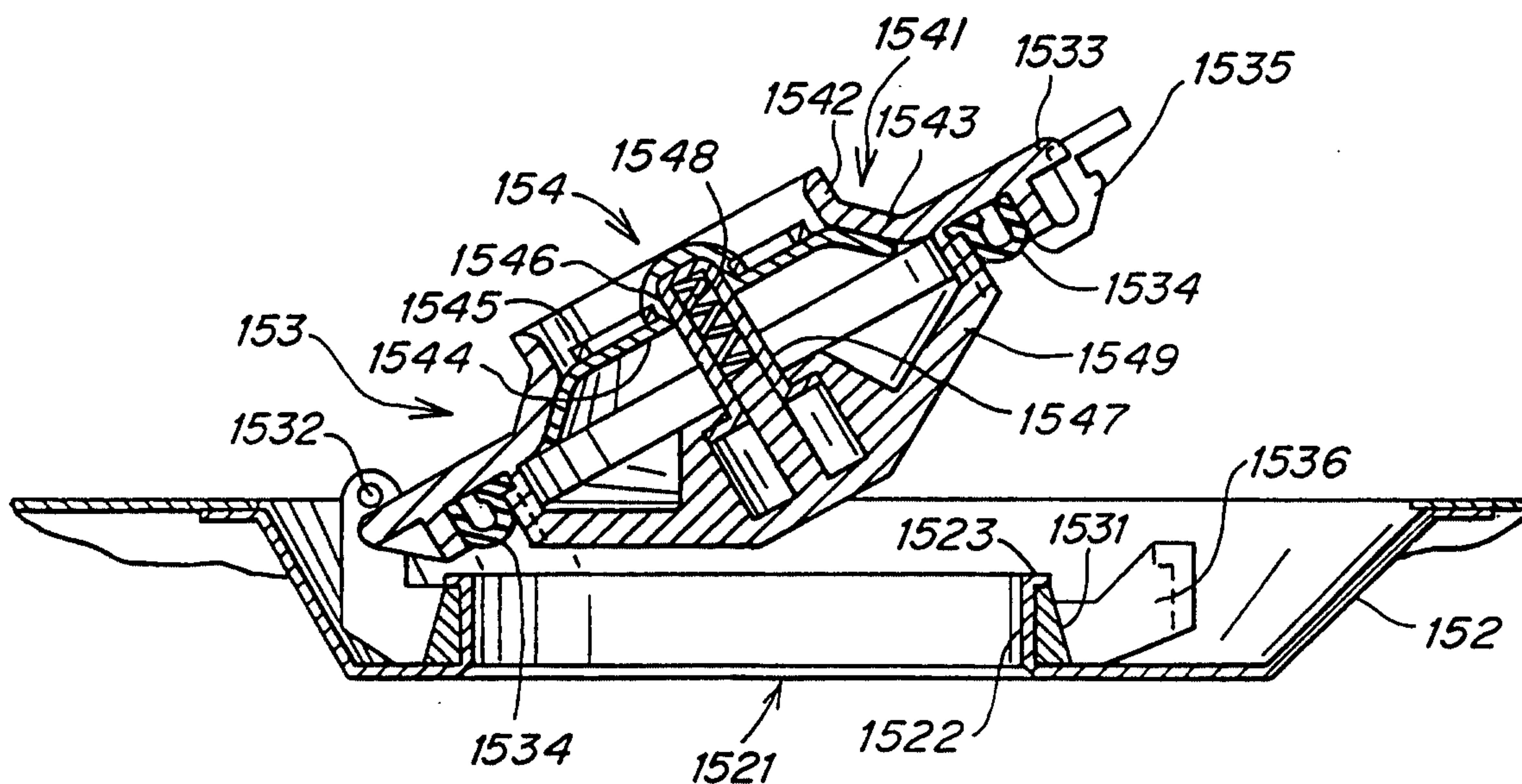


FIG. 63

(PRIOR ART)

27/27

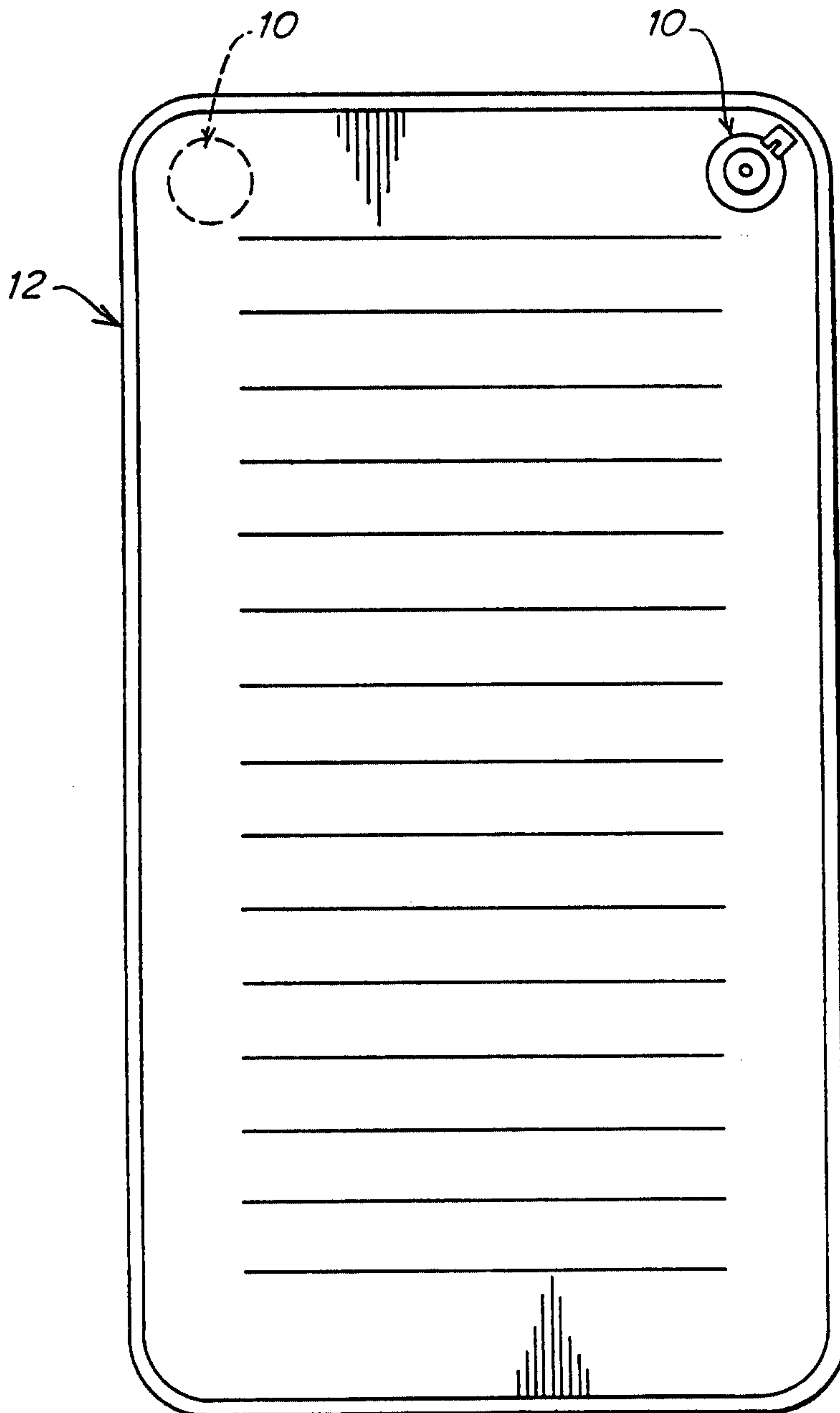


FIG. 64

