



US00D784152S

(12) **United States Design Patent**
Krunas

(10) **Patent No.:** **US D784,152 S**
(45) **Date of Patent:** **** Apr. 18, 2017**

- (54) **FRAGRANCE BOTTLE**
- (71) Applicant: **L’Oreal**, Paris (FR)
- (72) Inventor: **Catherine Krunas**, Paris (FR)
- (73) Assignee: **Prestige et Collections International**, Paris (FR)
- (**) Term: **14 Years**
- (21) Appl. No.: **29/518,568**
- (22) Filed: **Feb. 25, 2015**

D535,890 S *	1/2007	Herrmann	D9/571
D606,875 S *	12/2009	Vila	D9/544
D626,422 S *	11/2010	Lloyd	D9/568
D633,806 S *	3/2011	Lecoule	D9/544
D659,548 S *	5/2012	de France	D9/694
D705,074 S *	5/2014	Della Valle	D9/560
D711,236 S *	8/2014	Friesen	D9/559
D737,689 S *	9/2015	Monteparo	D9/559

* cited by examiner

Primary Examiner — Sandra Morris

(74) *Attorney, Agent, or Firm* — Edell, Shapiro & Finnan, LLC

(30) **Foreign Application Priority Data**

Jan. 27, 2015 (EM) 002620674-0001
 Jan. 27, 2015 (EM) 002620732-0001

(51) **LOC (10) Cl.** **09-01**

(52) **U.S. Cl.**
USPC **D9/635**; D9/694; D9/559; D9/574

(58) **Field of Classification Search**
 USPC D9/600, 635, 682, 686–687, 694,
 D9/500–505, 516, 544, 549–575;
 206/457, 494, 459.5, 527, 540;
 229/116.1; 446/77; 215/381–384, 400;
 D7/514–516, 539, 544, 571, 579, 604,
 D7/613, 619.2, 628–630, 391–392.1;
 D3/270–271.3
 CPC B65D 67/00; B65D 81/36; B65D 81/60;
 B65D 81/368; B65D 2203/00; B65D
 2203/02; A63H 33/16

See application file for complete search history.

(56) **References Cited**

U.S. PATENT DOCUMENTS

D317,403 S *	6/1991	Farsch	D9/635
D405,001 S *	2/1999	Calo	D9/559

(57) **CLAIM**

The ornamental design for a fragrance bottle, as shown and described.

DESCRIPTION

FIG. 1 is a rear left perspective view from above of the fragrance bottle showing the new design;

FIG. 2 is a front elevation view of the fragrance bottle of FIG. 1;

FIG. 3 is a rear elevation view of the fragrance bottle of FIG. 1;

FIG. 4 is a left side elevation view of the fragrance bottle of FIG. 1;

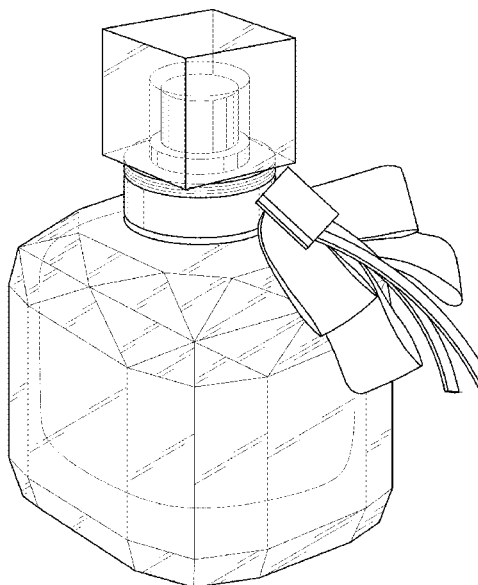
FIG. 5 is a right side elevation view of the fragrance bottle of FIG. 1;

FIG. 6 is a top plan view of the fragrance bottle of FIG. 1; and,

FIG. 7 is a bottom plan view of the fragrance bottle of FIG. 1.

The broken lines in FIG. 7 are included for the purpose of illustrating a portion of the bottom that forms no part of the claimed design.

1 Claim, 6 Drawing Sheets



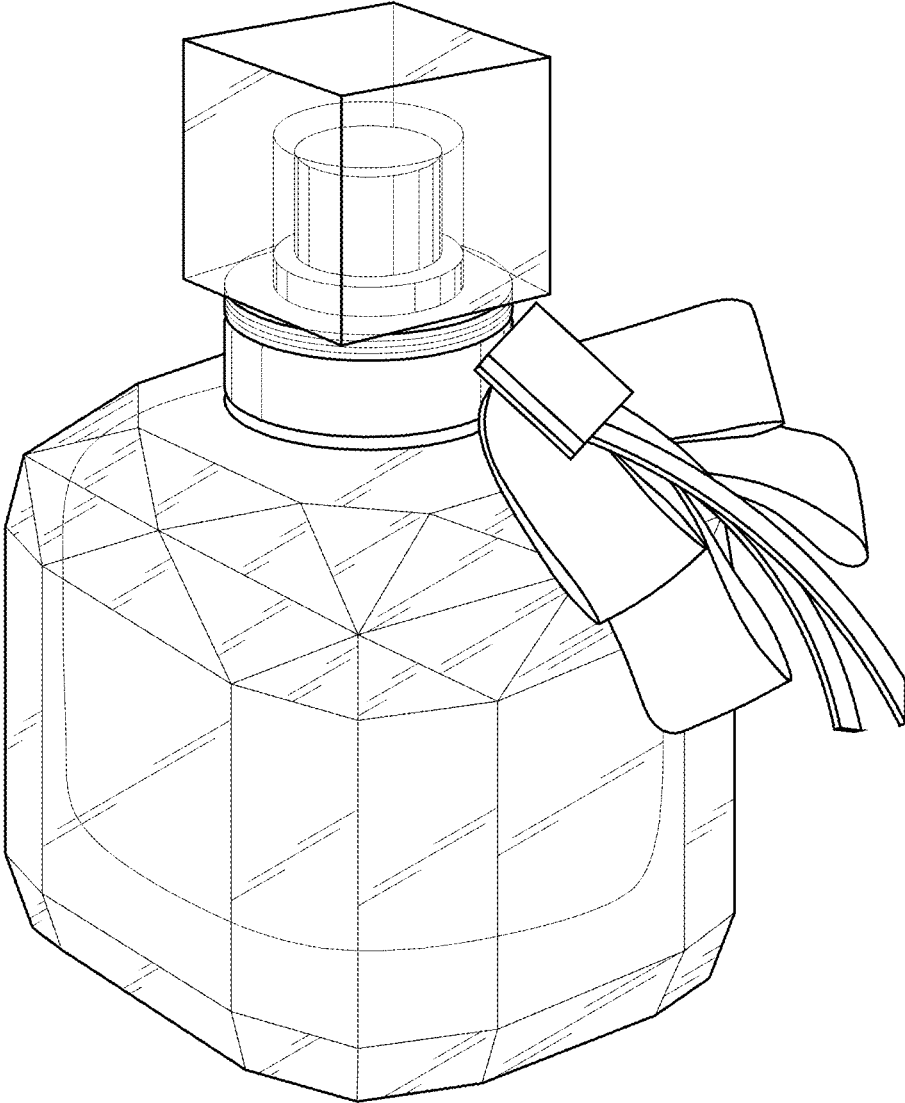


FIG.1



FIG.2



FIG.3



FIG.4



FIG.5

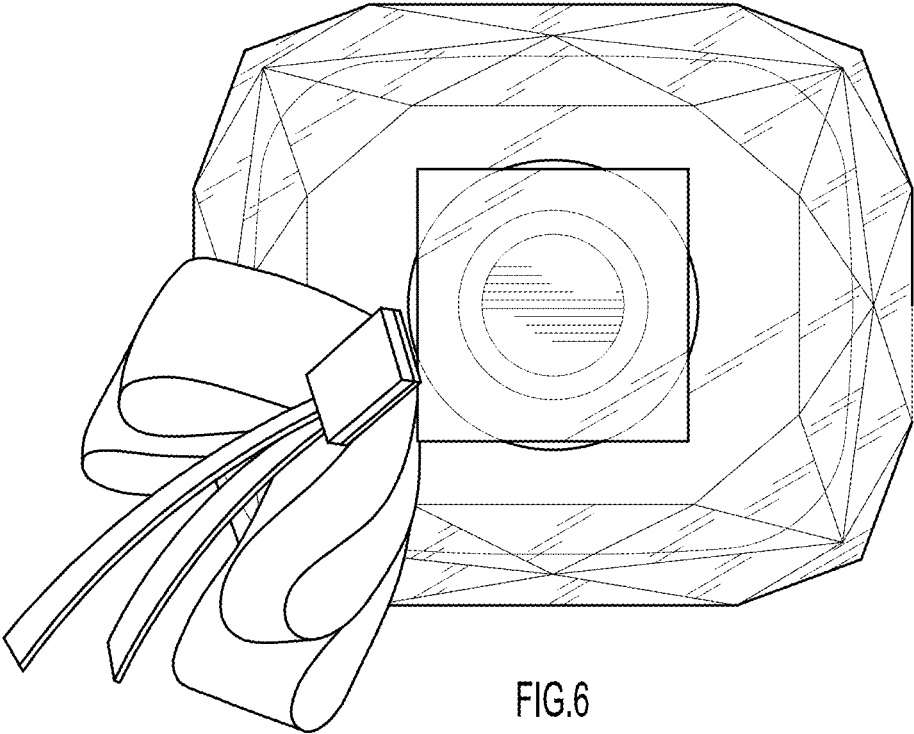


FIG.6

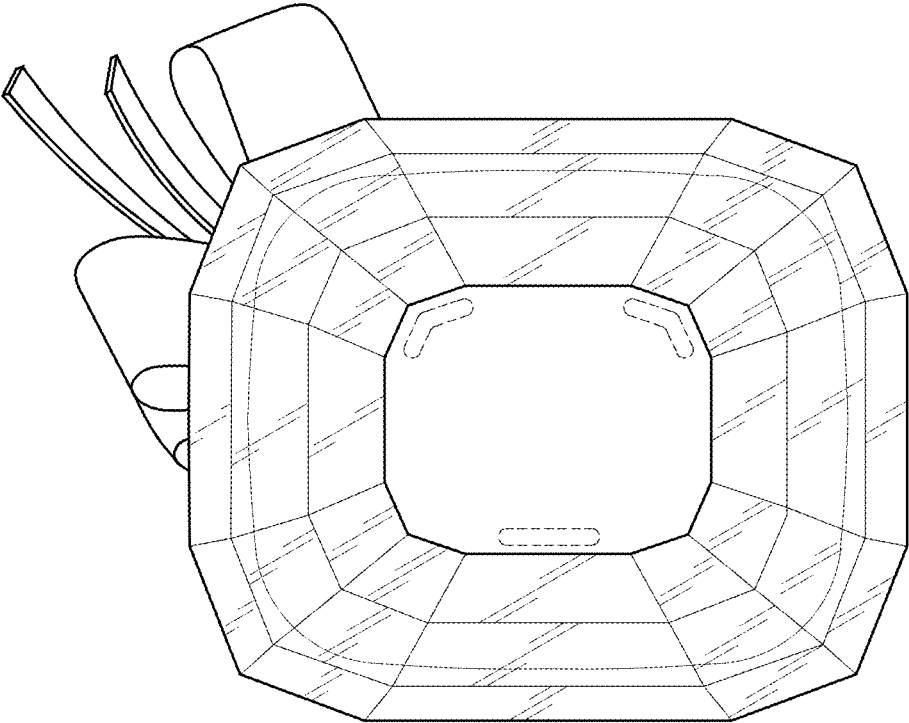


FIG.7