

(19) World Intellectual Property Organization
International Bureau



(43) International Publication Date
1 June 2006 (01.06.2006)

PCT

(10) International Publication Number
WO 2006/058123 A3

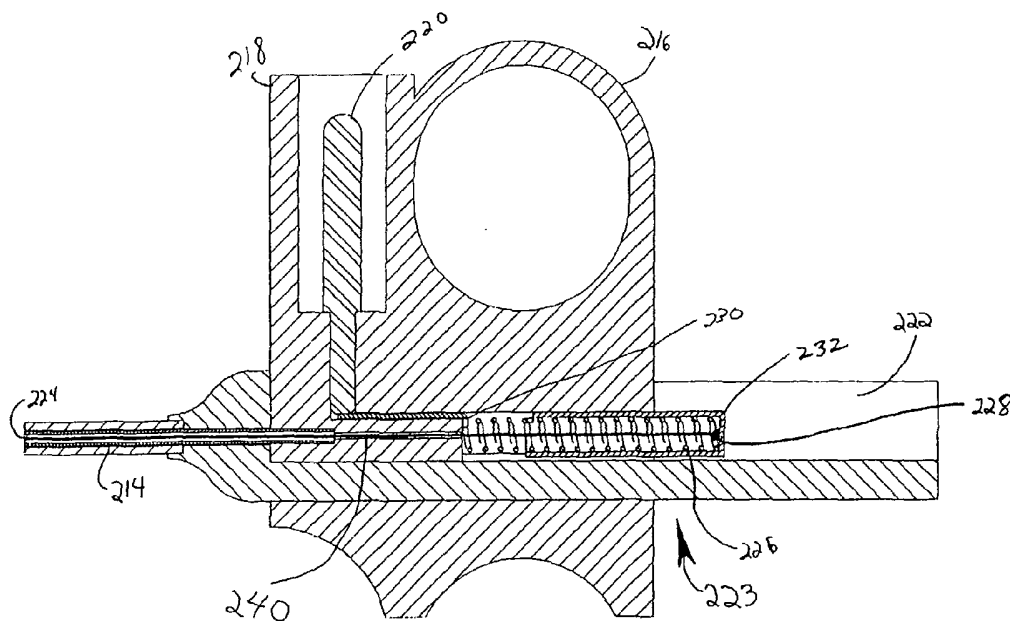
- (51) International Patent Classification:
A61B 18/14 (2006.01) A61B 17/00 (2006.01)
A61M 25/01 (2006.01)
- (21) International Application Number:
PCT/US2005/042542
- (22) International Filing Date:
21 November 2005 (21.11.2005)
- (25) Filing Language: English
- (26) Publication Language: English
- (30) Priority Data:
60/630,887 24 November 2004 (24.11.2004) US
- (71) Applicant (for all designated States except US): **WILSON-COOK MEDICAL, INC.** [US/US]; PO BOX 27115-4191, 4900 Bethnia Station Road, Winston-salem, NC 27105-4191 (US).
- (72) Inventor; and
- (75) Inventor/Applicant (for US only): **KENNEDY, Kenneth, C., II** [US/US]; 2021 Elkmont Court, Clemmons, NC 27012 (US).
- (74) Agent: **COPELAND, Trevor, K.**; Brinks Hofer Gilson & Lione, P.o. Box 10087, Chicago, IL 60610 (US).

- (81) Designated States (unless otherwise indicated, for every kind of national protection available): AE, AG, AL, AM, AT, AU, AZ, BA, BB, BG, BR, BW, BY, BZ, CA, CH, CN, CO, CR, CU, CZ, DE, DK, DM, DZ, EC, EE, EG, ES, FI, GB, GD, GE, GH, GM, HR, HU, ID, IL, IN, IS, JP, KE, KG, KM, KN, KP, KR, KZ, LC, LK, LR, LS, LT, LU, LV, LY, MA, MD, MG, MK, MN, MW, MX, MZ, NA, NG, NI, NO, NZ, OM, PG, PH, PL, PT, RO, RU, SC, SD, SE, SG, SK, SL, SM, SY, TJ, TM, TN, TR, TT, TZ, UA, UG, US, UZ, VC, VN, YU, ZA, ZM, ZW.
- (84) Designated States (unless otherwise indicated, for every kind of regional protection available): ARIPO (BW, GH, GM, KE, LS, MW, MZ, NA, SD, SL, SZ, TZ, UG, ZM, ZW), Eurasian (AM, AZ, BY, KG, KZ, MD, RU, TJ, TM), European (AT, BE, BG, CH, CY, CZ, DE, DK, EE, ES, FI, FR, GB, GR, HU, IE, IS, IT, LT, LU, LV, MC, NL, PL, PT, RO, SE, SI, SK, TR), OAPI (BF, BJ, CF, CG, CI, CM, GA, GN, GQ, GW, ML, MR, NE, SN, TD, TG).

- Published:**
- with international search report
 - before the expiration of the time limit for amending the claims and to be republished in the event of receipt of amendments

[Continued on next page]

(54) Title: SPHINCTEROTOME IMPROVEMENT



(57) Abstract: A sphincterotome comprising a tensioning mechanism to adjust relative tension between a filament and shaft thereof. In one embodiment, the tensioning mechanism adjusts relative tension and or length at a connection of the sphincterotome handle assembly to one or both of the shaft and filament. In another embodiment, the tensioning mechanism adjusts relative tension and or length where it is disposed along the filament.

WO 2006/058123 A3



(88) Date of publication of the international search report:

5 October 2006

For two-letter codes and other abbreviations, refer to the "Guidance Notes on Codes and Abbreviations" appearing at the beginning of each regular issue of the PCT Gazette.

INTERNATIONAL SEARCH REPORT

International application No
PCT/US2005/042542

A. CLASSIFICATION OF SUBJECT MATTER
INV. A61B18/14 A61M25/01
ADD. A61B17/00

According to International Patent Classification (IPC) or to both national classification and IPC

B. FIELDS SEARCHED

Minimum documentation searched (classification system followed by classification symbols)
A61B A61M

Documentation searched other than minimum documentation to the extent that such documents are included in the fields searched

Electronic data base consulted during the international search (name of data base and, where practical, search terms used)

EPO-Internal, WPI Data

C. DOCUMENTS CONSIDERED TO BE RELEVANT

Category*	Citation of document, with indication, where appropriate, of the relevant passages	Relevant to claim No.
A	US 5 984 920 A (STEINBACH ET AL) 16 November 1999 (1999-11-16) column 6, line 66 - column 7, line 50; figures 1-3	1-14
A	EP 0 385 588 A (WILSON-COOK MEDICAL INC) 5 September 1990 (1990-09-05) column 6, line 18 - column 8, line 41; figures 2-5	1-14
A	US 2003/060842 A1 (CHIN YEM ET AL) 27 March 2003 (2003-03-27) paragraph [0031]; figure 1	1-14

Further documents are listed in the continuation of Box C.

See patent family annex.

* Special categories of cited documents :

"A" document defining the general state of the art which is not considered to be of particular relevance
"E" earlier document but published on or after the international filing date
"L" document which may throw doubts on priority claim(s) or which is cited to establish the publication date of another citation or other special reason (as specified)
"O" document referring to an oral disclosure, use, exhibition or other means
"P" document published prior to the international filing date but later than the priority date claimed

"T" later document published after the international filing date or priority date and not in conflict with the application but cited to understand the principle or theory underlying the invention
"X" document of particular relevance; the claimed invention cannot be considered novel or cannot be considered to involve an inventive step when the document is taken alone
"Y" document of particular relevance; the claimed invention cannot be considered to involve an inventive step when the document is combined with one or more other such documents, such combination being obvious to a person skilled in the art.
"&" document member of the same patent family

Date of the actual completion of the international search

10 May 2006

Date of mailing of the international search report

11. 08. 2006

Name and mailing address of the ISA/

European Patent Office, P.B. 5818 Patentlaan 2
NL - 2280 HV Rijswijk
Tel. (+31-70) 340-2040, Tx. 31 651 epo nl,
Fax: (+31-70) 340-3016

Authorized officer

Filali, S

INTERNATIONAL SEARCH REPORT

International application No.
PCT/US2005/042542

Box II Observations where certain claims were found unsearchable (Continuation of item 2 of first sheet)

This International Search Report has not been established in respect of certain claims under Article 17(2)(a) for the following reasons:

1. Claims Nos.:
because they relate to subject matter not required to be searched by this Authority, namely:

2. Claims Nos.:
because they relate to parts of the International Application that do not comply with the prescribed requirements to such an extent that no meaningful International Search can be carried out, specifically:

3. Claims Nos.:
because they are dependent claims and are not drafted in accordance with the second and third sentences of Rule 6.4(a).

Box III Observations where unity of invention is lacking (Continuation of item 3 of first sheet)

This International Searching Authority found multiple inventions in this international application, as follows:

see additional sheet

1. As all required additional search fees were timely paid by the applicant, this International Search Report covers all searchable claims.
2. As all searchable claims could be searched without effort justifying an additional fee, this Authority did not invite payment of any additional fee.
3. As only some of the required additional search fees were timely paid by the applicant, this International Search Report covers only those claims for which fees were paid, specifically claims Nos.:
4. No required additional search fees were timely paid by the applicant. Consequently, this International Search Report is restricted to the invention first mentioned in the claims; it is covered by claims Nos.:

see annex

Remark on Protest

The additional search fees were accompanied by the applicant's protest.

No protest accompanied the payment of additional search fees.

FURTHER INFORMATION CONTINUED FROM PCT/ISA/ 210

This International Searching Authority found multiple (groups of) inventions in this international application, as follows:

1. claims: 1-14

A sphincterotome comprising an electroconductive filament having a proximal attachment, wherein the proximal attachment comprises a tensioning mechanism for adjusting a tension in the filament and a compression in the shaft.
Problem: How to avoid compressive or tensile forces between the shaft and the filament.

2. claims: 15-23

A sphincterotome comprising a sliding movement of the second handle portion relative to the first handle portion, the second handle portion comprising an attachment to an electroconductive filament, wherein the first and the second handle portion comprising a tensioning mechanism for adjusting a tension in the filament and a compression in the shaft.
Problem: How to increase the tension on the filament.

INTERNATIONAL SEARCH REPORT

Information on patent family members

International application No

PCT/US2005/042542

Patent document cited in search report	A	Publication date	Patent family member(s)	Publication date
US 5984920	A	16-11-1999	NONE	
<hr style="border-top: 1px dashed black;"/>				
EP 0385588	A	05-09-1990	AT 124855 T	15-07-1995
			AU 621198 B2	05-03-1992
			AU 4993990 A	06-09-1990
			CA 2007657 A1	03-09-1990
			DE 69020757 D1	17-08-1995
			DE 69020757 T2	22-02-1996
			DK 385588 T3	21-08-1995
			ES 2075143 T3	01-10-1995
			JP 1937609 C	09-06-1995
			JP 2279151 A	15-11-1990
			JP 6053125 B	20-07-1994
			US 5024617 A	18-06-1991
<hr style="border-top: 1px dashed black;"/>				
US 2003060842	A1	27-03-2003	CA 2430209 A1	03-04-2003
			EP 1434533 A2	07-07-2004
			JP 2005503863 T	10-02-2005
			WO 03026524 A2	03-04-2003
<hr style="border-top: 1px dashed black;"/>				