



(12) **United States Design Patent**  
**Akana et al.**

(10) **Patent No.:** **US D899,429 S**  
(45) **Date of Patent:** **\*\* Oct. 20, 2020**

(54) **BACKPLATE FOR AN ELECTRONIC DEVICE**

(71) Applicant: **Apple Inc.**, Cupertino, CA (US)

(72) Inventors: **Jody Akana**, San Francisco, CA (US); **Molly Anderson**, San Francisco, CA (US); **Bartley K. Andre**, Palo Alto, CA (US); **Shota Aoyagi**, San Francisco, CA (US); **Anthony Michael Ashcroft**, San Francisco, CA (US); **Marine C. Bataille**, San Francisco, CA (US); **Jeremy Bataillou**, San Francisco, CA (US); **Adam T. Clavelle**, San Francisco, CA (US); **Erik Geddes Pieter De Jong**, San Francisco, CA (US); **Markus Diebel**, San Francisco, CA (US); **M. Evans Hankey**, San Francisco, CA (US); **Julian Hoenig**, San Francisco, CA (US); **Richard P. Howarth**, San Francisco, CA (US); **Jonathan P. Ive**, San Francisco, CA (US); **Julian Jaede**, San Francisco, CA (US); **Duncan Robert Kerr**, San Francisco, CA (US); **Martin Melcher**, Mountain View, CA (US); **Peter Russell-Clarke**, San Francisco, CA (US); **Benjamin Andrew Shaffer**, San Jose, CA (US); **Mikael Silvanto**, San Francisco, CA (US); **Sung-Ho Tan**, San Francisco, CA (US); **Clement Tissandier**, San Francisco, CA (US); **Eugene Antony Whang**, San Francisco, CA (US); **Rico Zörkendörfer**, San Francisco, CA (US)

(73) Assignee: **Apple Inc.**, Cupertino, CA (US)

(\*\*) Term: **15 Years**

(21) Appl. No.: **29/661,784**

(22) Filed: **Aug. 30, 2018**

(51) **LOC (12) Cl.** ..... **14-02**

(52) **U.S. Cl.**  
USPC ..... **D14/439**

(58) **Field of Classification Search**  
USPC ..... D14/341-347, 424, 425, 432-453, 464, D14/468, 469, 471, 496, 511, 138 AA,  
(Continued)

(56) **References Cited**

U.S. PATENT DOCUMENTS

3,640,065 A \* 2/1972 Lederrey ..... G04B 37/055  
368/292  
D287,471 S \* 12/1986 Sato ..... D10/30  
(Continued)

FOREIGN PATENT DOCUMENTS

CN 303375877 S 9/2015  
CN 304227341 S 8/2017  
(Continued)

OTHER PUBLICATIONS

“ActionProof Bumper,” dealerscope.com, Japanese Patent Office Document HB27002821, 2015.

*Primary Examiner* — Austin Murphy

(74) *Attorney, Agent, or Firm* — Sterne, Kessler, Goldstein & Fox P.L.L.C.

(57) **CLAIM**

The ornamental design for a backplate for an electronic device, as shown and described.

**DESCRIPTION**

FIG. 1 is a bottom front perspective view of a backplate for an electronic device showing the claimed design; FIG. 2 is a bottom rear perspective view thereof; FIG. 3 is a front view thereof; FIG. 4 is a rear view thereof; FIG. 5 is a left side view thereof; FIG. 6 is a right side view thereof; FIG. 7 is a top view thereof; and,

(Continued)

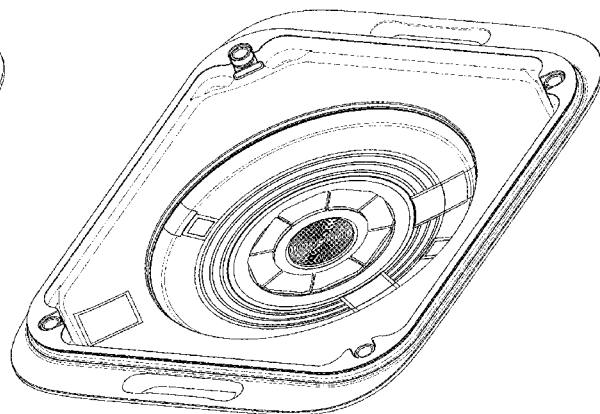
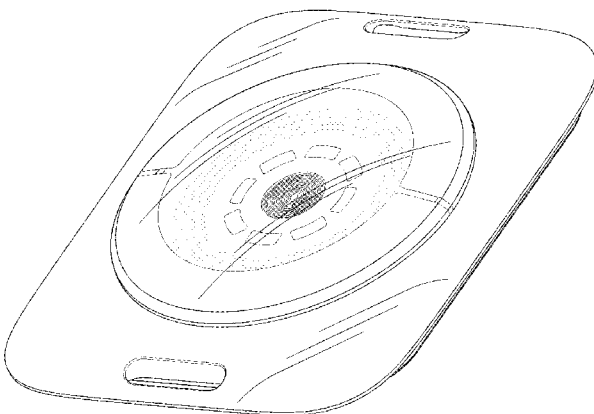


FIG. 8 is a bottom view thereof.  
The broken lines in the figures show portions of the back-plate for an electronic device that form no part of the claimed design.

**1 Claim, 6 Drawing Sheets**

(58) **Field of Classification Search**

USPC ... D14/138 AD, 138 C, 138 G, 203.1–203.8,  
D14/217, 238.1, 248, 250, 257, 299;  
361/679.01, 679.02, 679.03, 679.3,  
361/679.55, 679.56; 455/550.1, 556.1,  
455/556.2, 575.1, 575.3–575.5, 575.8,  
455/90.3  
CPC .... H04M 1/0277; H04M 1/0202; H04M 1/02;  
H04B 1/3838  
See application file for complete search history.

(56)

**References Cited**

U.S. PATENT DOCUMENTS

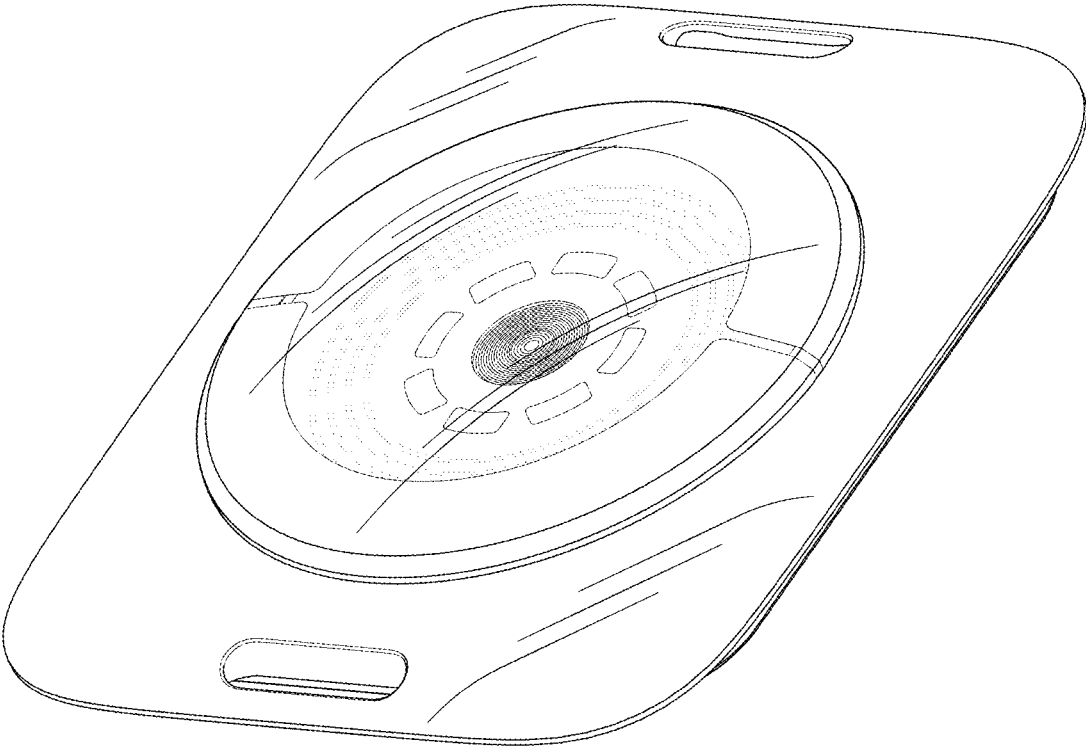
D394,815 S 6/1998 Jörss  
D439,172 S \* 3/2001 Brzezinski ..... D10/30

D528,928 S \* 9/2006 Burton ..... D10/38  
D586,823 S \* 2/2009 Anderson ..... D14/496  
D649,069 S 11/2011 Galli  
D758,363 S 6/2016 Akana et al.  
D759,120 S 6/2016 Akana et al.  
D768,634 S 10/2016 Akana et al.  
D784,345 S \* 4/2017 Kwon ..... D10/103  
D784,346 S \* 4/2017 Tao ..... D10/103  
D795,183 S 8/2017 Akana et al.  
D816,667 S 5/2018 Hardi  
D832,265 S \* 10/2018 Alves ..... D14/439  
D842,724 S \* 3/2019 Vandenbussche ..... D10/70  
D847,664 S 5/2019 Mutsch  
D869,461 S \* 12/2019 Ke ..... D14/344  
D882,563 S \* 4/2020 Akana ..... D14/344  
D882,565 S \* 4/2020 Akana ..... D14/344  
D882,566 S \* 4/2020 Akana ..... D14/344  
D883,279 S \* 5/2020 Akana ..... D14/344  
2017/0046451 A1 \* 2/2017 Akana ..... G06F 30/00

FOREIGN PATENT DOCUMENTS

JP D1539660 S 12/2015  
JP D1549019 S 5/2016

\* cited by examiner



**FIG. 1**

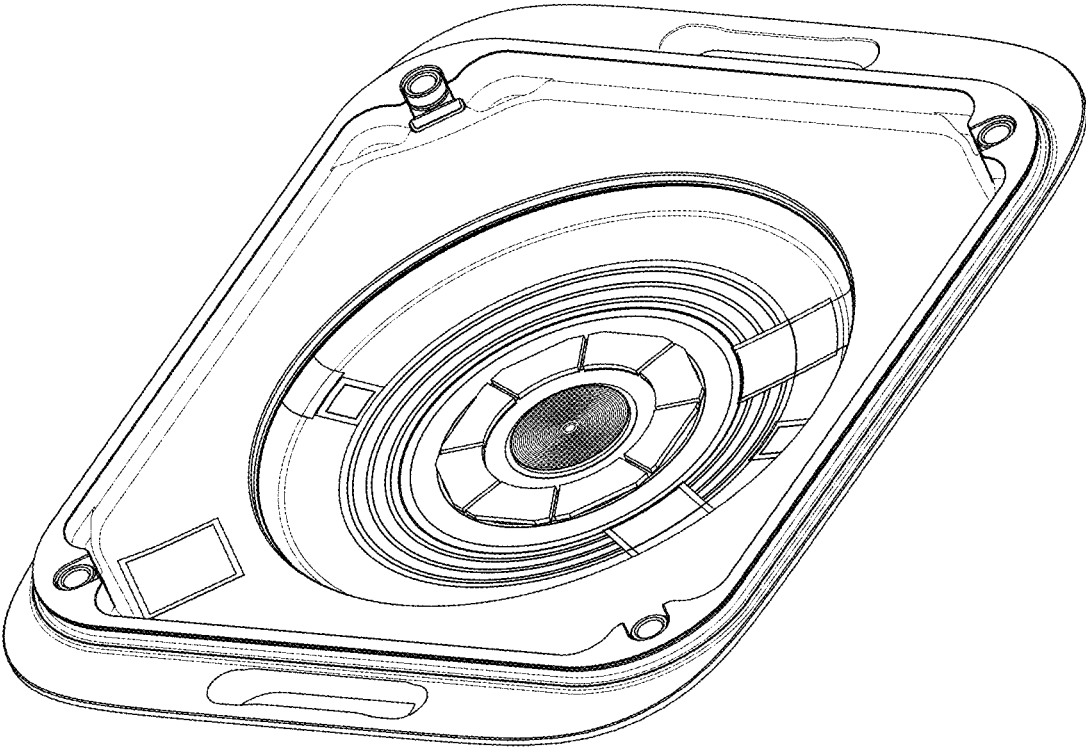


FIG. 2

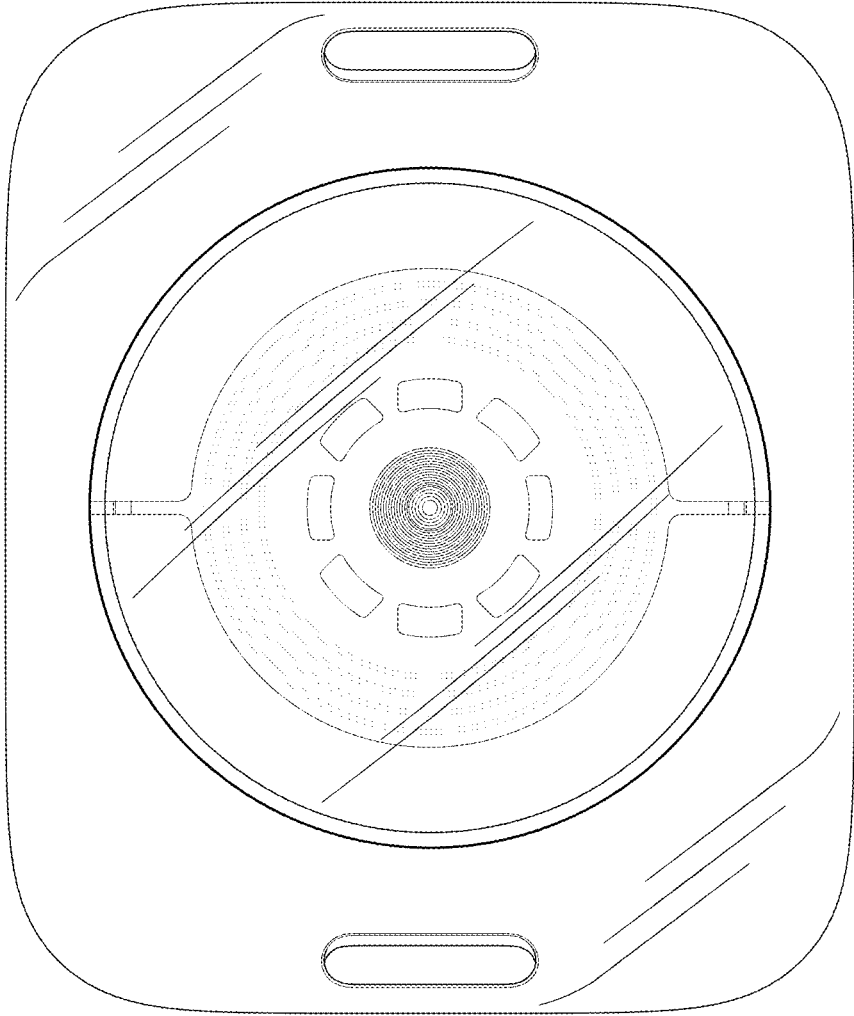


FIG. 3

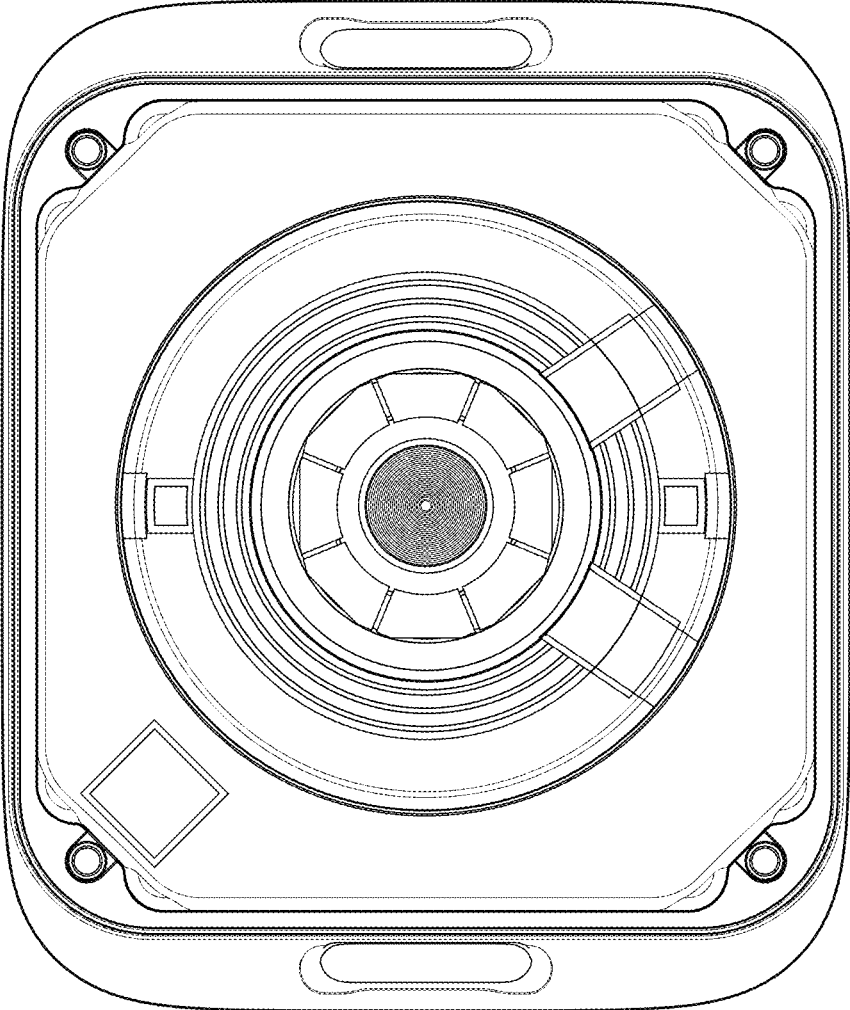


FIG. 4

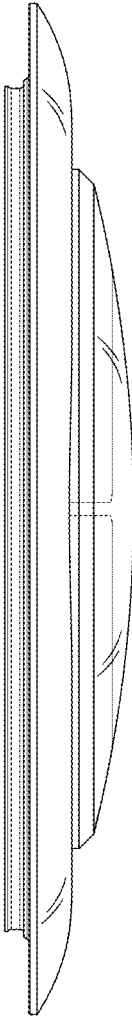


FIG. 5

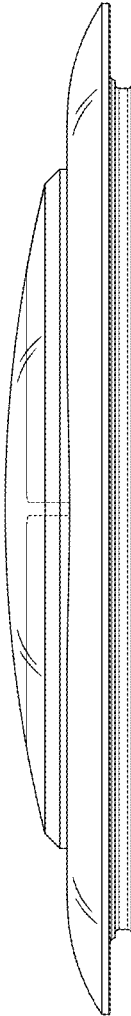


FIG. 6

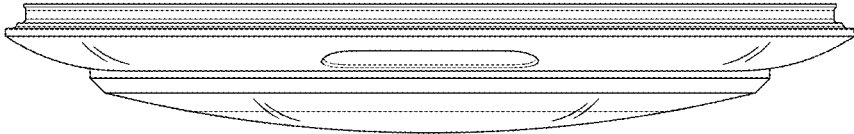


FIG. 7

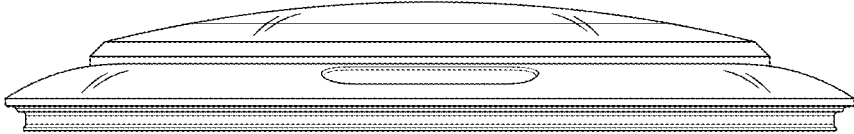


FIG. 8