



US00D683021S

(12) **United States Design Patent**
Moon et al.

(10) **Patent No.:** **US D683,021 S**

(45) **Date of Patent:** **** May 21, 2013**

(54) **MEDICAL RADIOGRAPHY SYSTEM**

(74) *Attorney, Agent, or Firm* — NSIP Law

(75) Inventors: **Jae-Hwa Moon**, Seoul (KR);
Jung-Hoon Kim, Seoul (KR); **Jun-Pil Moon**, Seoul (KR)

(57) **CLAIM**

The ornamental design for a medical radiography system, as shown and described.

(73) Assignee: **Samsung Electronics Co. Ltd.** (KR)

DESCRIPTION

(**) Term: **14 Years**

(21) Appl. No.: **29/417,504**

(22) Filed: **Apr. 4, 2012**

(30) **Foreign Application Priority Data**

Oct. 20, 2011 (KR) 30-2011-0043796

(51) **LOC (9) Cl.** **24-01**

(52) **U.S. Cl.**
USPC **D24/158**

(58) **Field of Classification Search** D24/158–161,
D24/185, 186; 378/4, 15, 17, 20, 21, 23–27,
378/62, 68, 146, 195–198

See application file for complete search history.

(56) **References Cited**

U.S. PATENT DOCUMENTS

D448,849	S	*	10/2001	Laupper	D24/158
D487,804	S	*	3/2004	Kondo	D24/158
D554,755	S	*	11/2007	Iwasaki et al.	D24/158
D624,186	S	*	9/2010	Youn	D24/158
7,949,094	B2	*	5/2011	Ahn	378/197
D671,217	S	*	11/2012	Moon et al.	D24/158

* cited by examiner

Primary Examiner — Anhdao Doan

FIG. 1 is a perspective view of a medical radiography system; FIG. 2 is a front view of the medical radiography system of FIG. 1;

FIG. 3 is a rear view of the medical radiography system of FIG. 1;

FIG. 4 is a left-side view of the medical radiography system of FIG. 1;

FIG. 5 is right-side view of the medical radiography system of FIG. 1;

FIG. 6 is a top plan view of the medical radiography system of FIG. 1

FIG. 7 is a bottom plan view of the medical radiography system of FIG. 1;

FIG. 8 is right-side view of the medical radiography system of FIG. 1, in which a detector panel of the medical radiography system is shown in a lower position than that shown in FIG. 5 as an example design aspect;

FIG. 9 is right-side view of the medical radiography system of FIG. 1, in which the detector panel of the medical radiography system shown in the lower position as shown in FIG. 8 is further shown tilted at an angle as an example design aspect; and,

FIG. 10 is a perspective view of the medical radiography system of FIG. 1, in which the detector panel of the medical radiography system is shown perpendicular with respect to a beam of the medical radiography system as an example design aspect.

Features shown in evenly spaced broken lines in FIGS. 1-10 form no part of the claimed design.

1 Claim, 10 Drawing Sheets

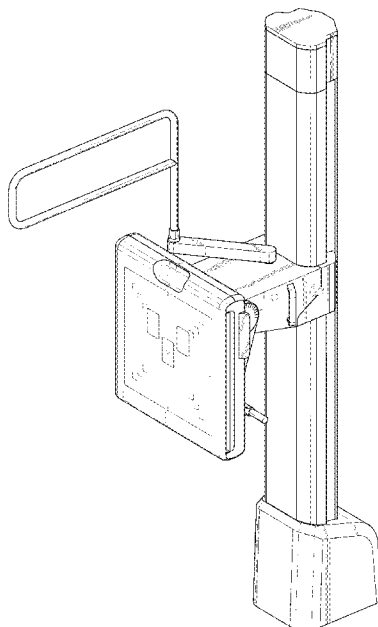


FIG. 1

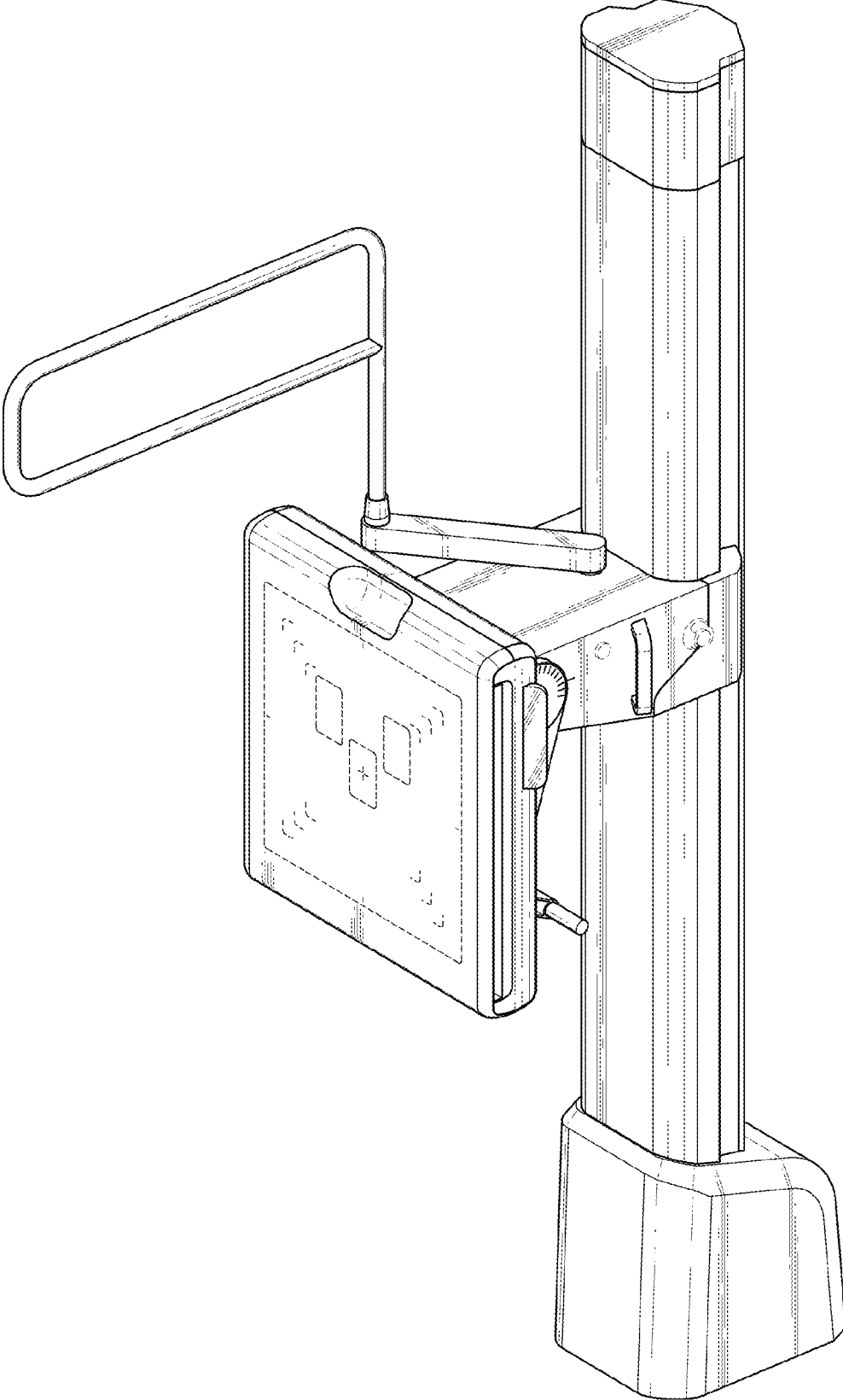


FIG. 2

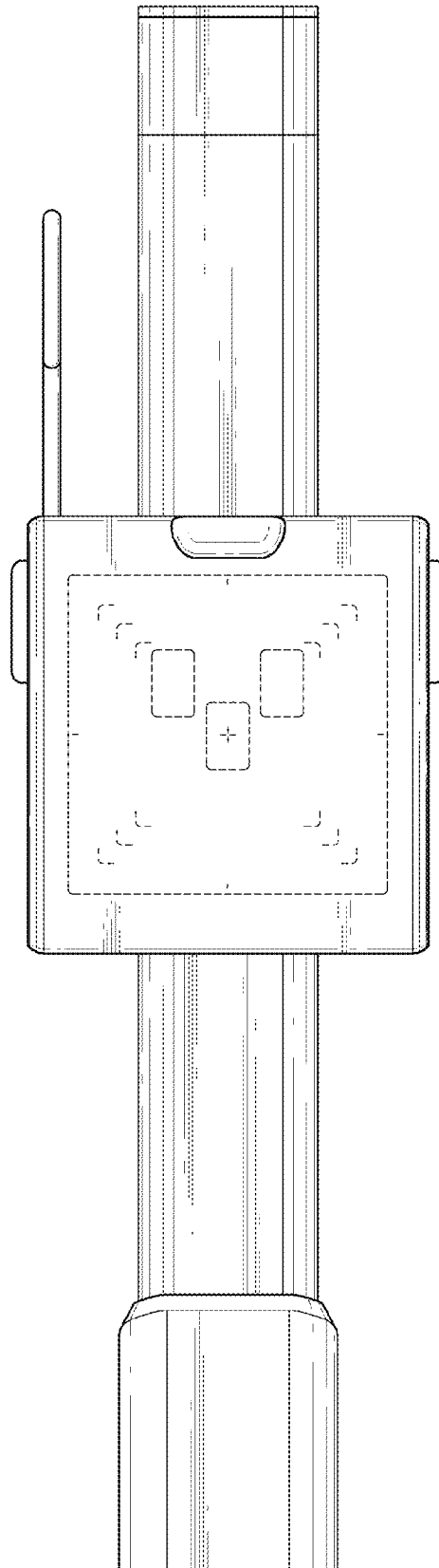


FIG. 3

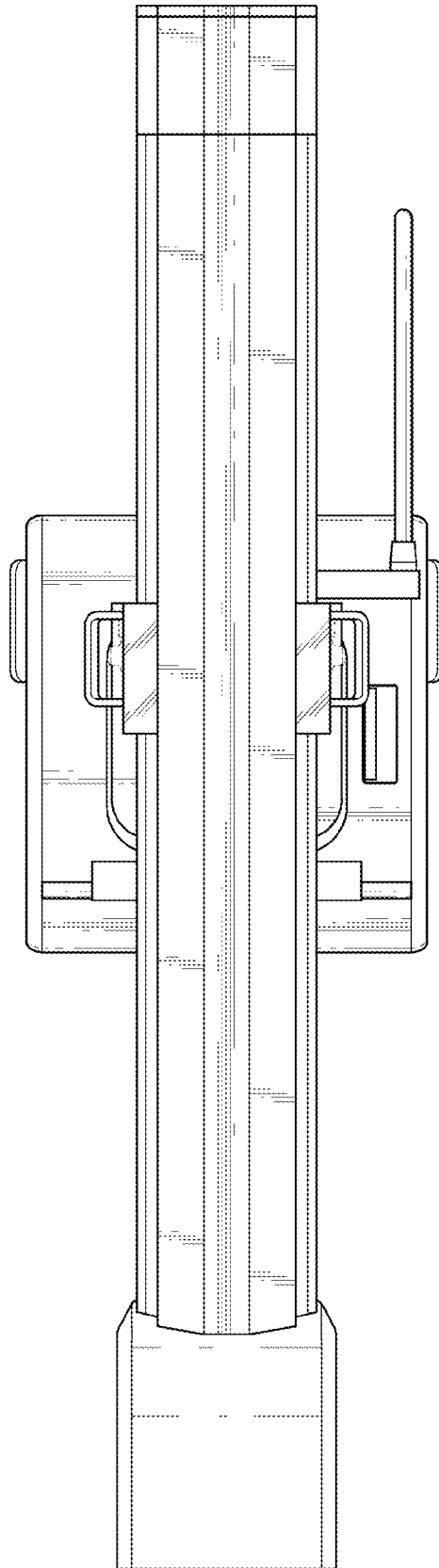


FIG. 4

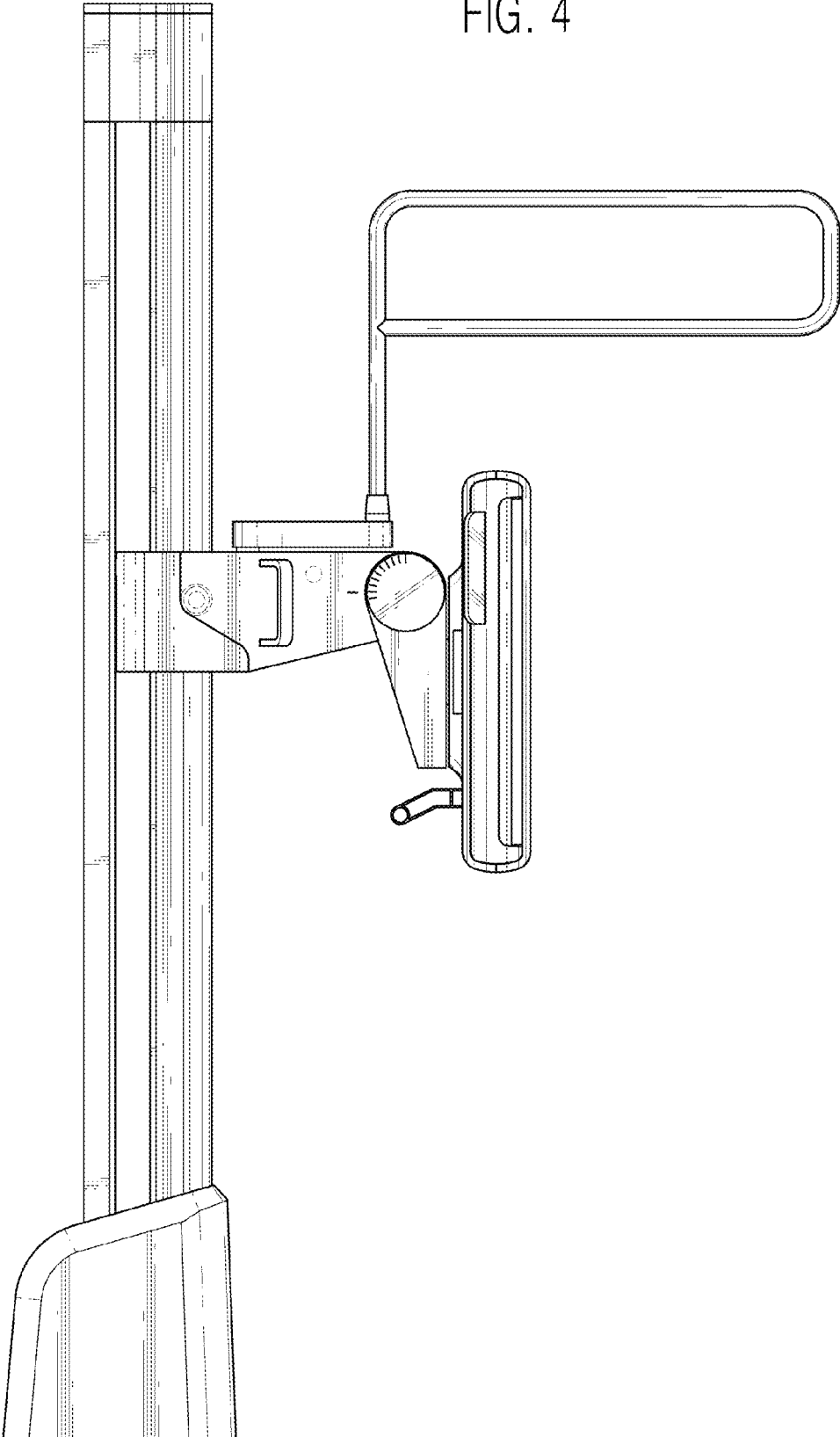


FIG. 5

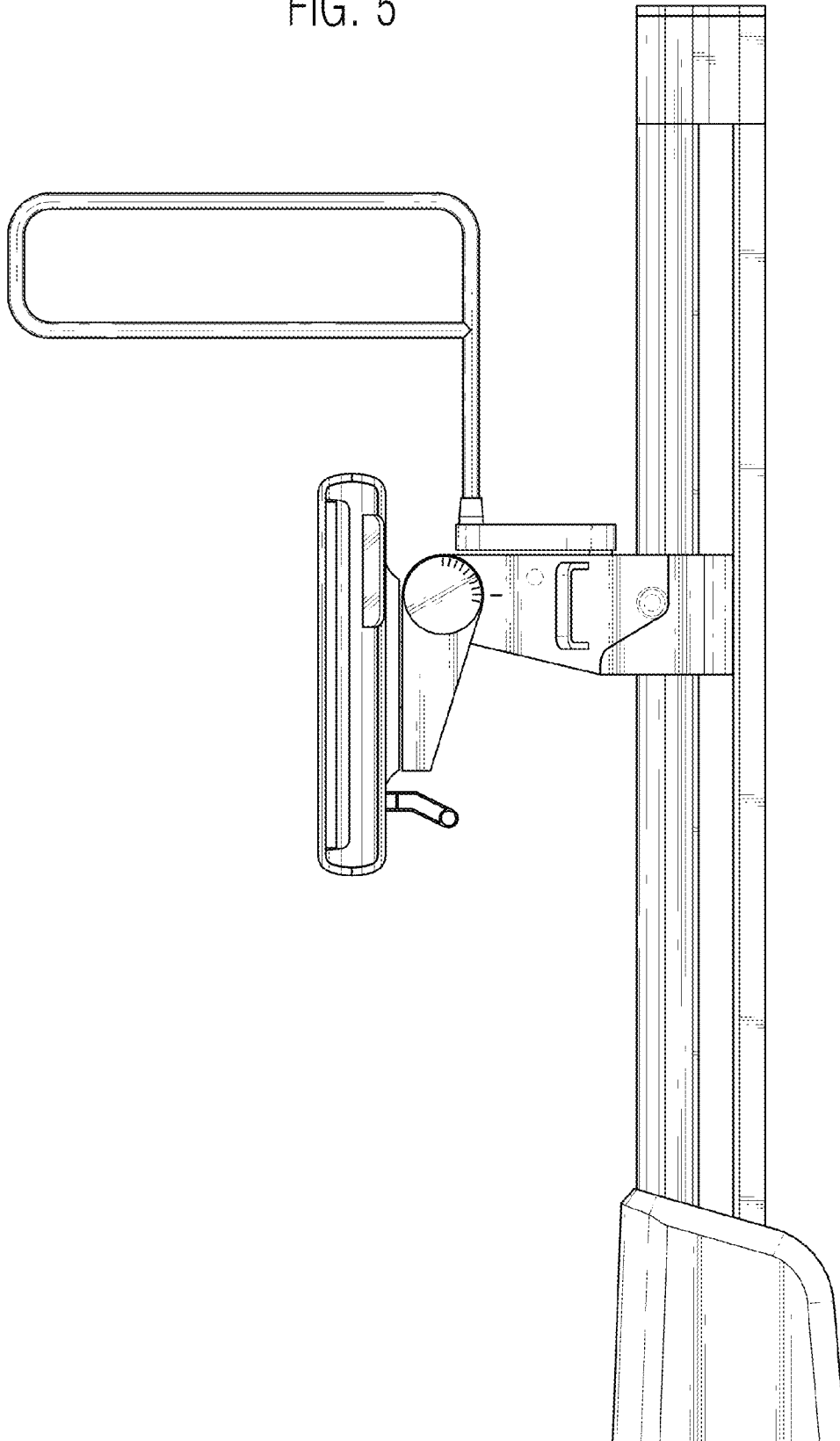


FIG. 6

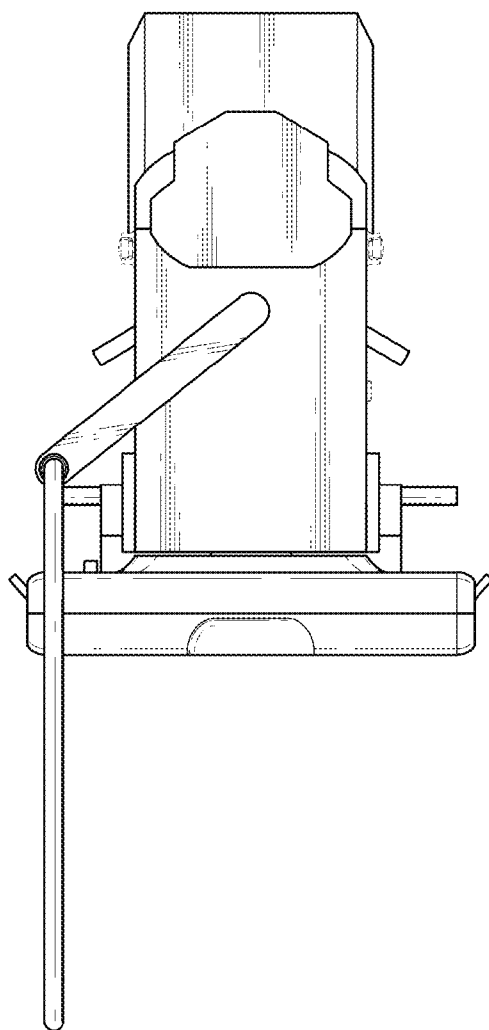


FIG. 7

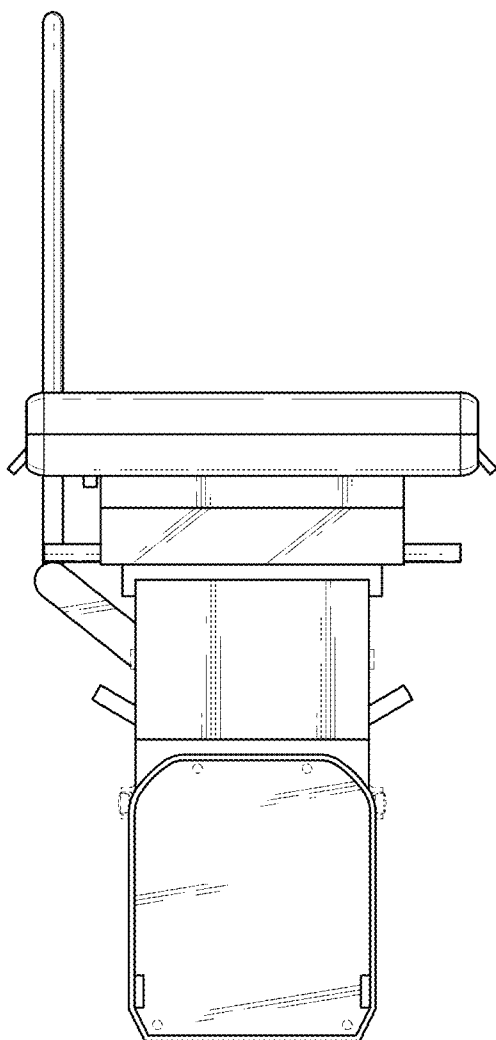


FIG. 8

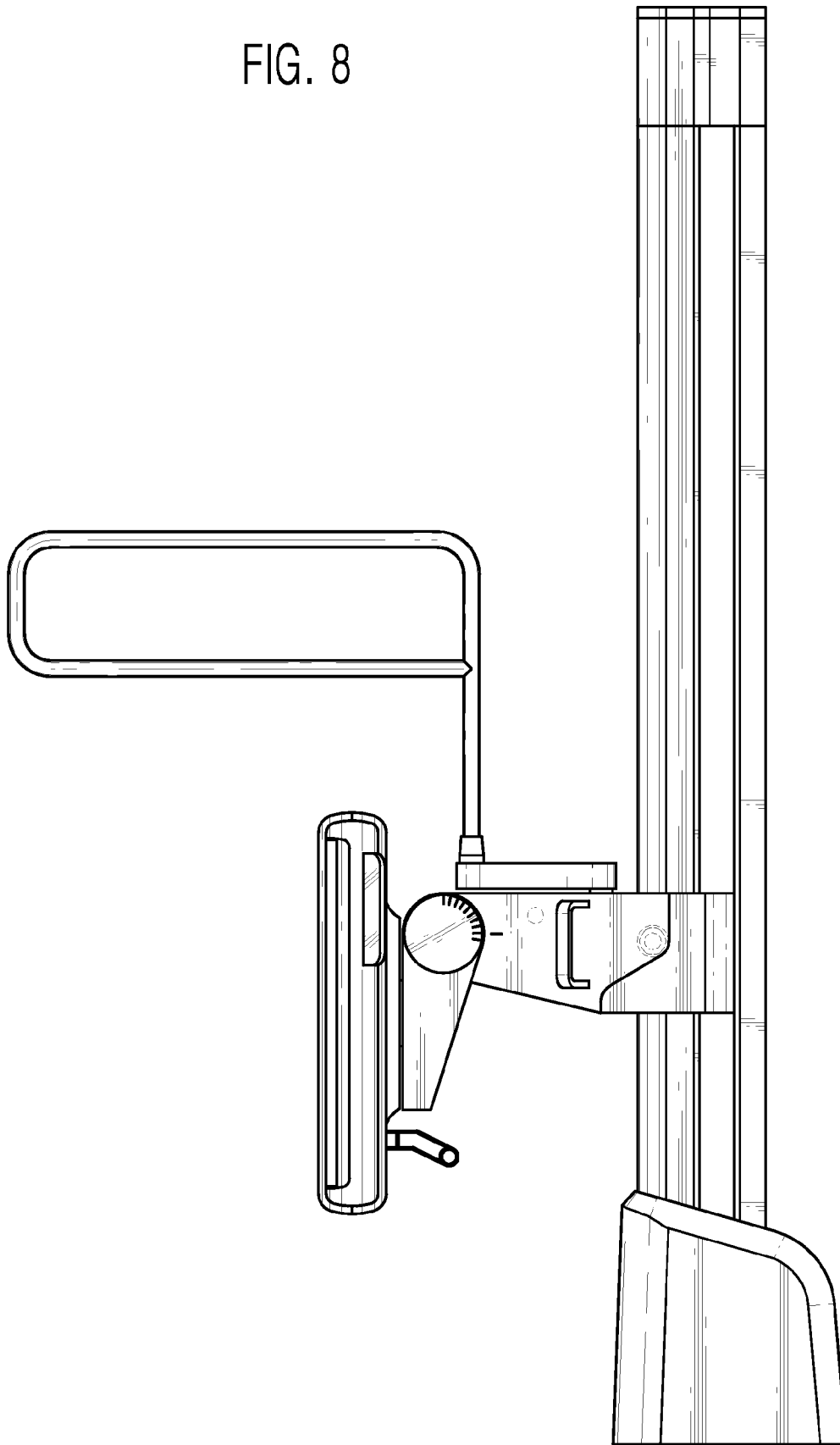


FIG. 9

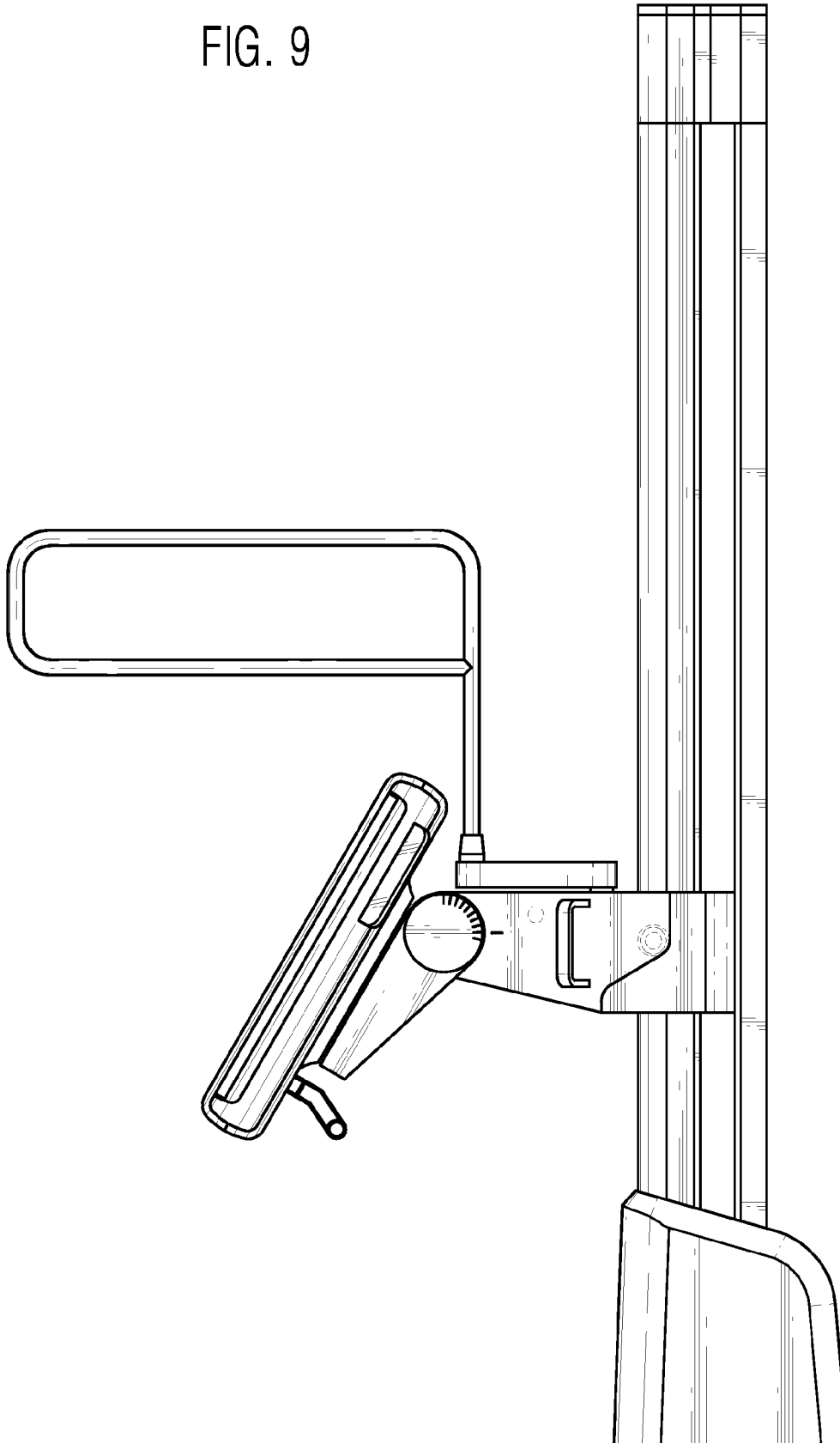


FIG. 10

