



US00D696887S

(12) **United States Design Patent**  
**Minica et al.**

(10) **Patent No.:** **US D696,887 S**

(45) **Date of Patent:** **\*\* Jan. 7, 2014**

(54) **BEVERAGE DISPENSING APPARATUS**

(71) Applicant: **Schroeder Industries, Inc.**, San Antonio, TX (US)

(72) Inventors: **Jason Minica**, Schertz, TX (US); **David Santy**, Converse, TX (US)

(73) Assignee: **Schroeder Industries, Inc.**, San Antonio, TX (US)

(\*\*) Term: **14 Years**

(21) Appl. No.: **29/448,416**

(22) Filed: **Mar. 12, 2013**

(51) **LOC (10) Cl.** ..... **07-01**

(52) **U.S. Cl.**

USPC ..... **D7/306; D7/313**

(58) **Field of Classification Search**

USPC ..... D7/300, 306-308, 311, 313, 301, 397;  
D15/81; 99/275, 323.3; 222/129.1,  
222/144.5

See application file for complete search history.

(56) **References Cited**

**U.S. PATENT DOCUMENTS**

6,619,507	B2 *	9/2003	Lassota	.....	222/108
D497,075	S *	10/2004	Lassota et al.	.....	D7/306
D518,677	S *	4/2006	Van Berlo	.....	D7/306
D573,392	S *	7/2008	Smith	.....	D7/306

D583,609	S *	12/2008	Sluiter	.....	D7/306
D618,950	S *	7/2010	Jaffe et al.	.....	D7/306
D644,058	S *	8/2011	Cahen	.....	D7/309
D655,561	S *	3/2012	Wang	.....	D7/306
D676,699	S *	2/2013	Chung et al.	.....	D7/307
D676,700	S *	2/2013	Chung et al.	.....	D7/307
D676,701	S *	2/2013	Chung et al.	.....	D7/307
D677,509	S *	3/2013	Wang	.....	D7/306
D685,220	S *	7/2013	Schilders et al.	.....	D7/323
2011/0107918	A1 *	5/2011	Santy et al.	.....	99/275

\* cited by examiner

*Primary Examiner* — Marianne Pandozzi

(74) *Attorney, Agent, or Firm* — Jackson Walker, LLP

(57) **CLAIM**

The ornamental design for a beverage dispensing apparatus, as shown and described.

**DESCRIPTION**

FIG. 1 is a perspective view of a beverage dispensing apparatus showing our new design;

FIG. 2 is a top view thereof;

FIG. 3 is a bottom view thereof;

FIG. 4 is a front elevational view thereof;

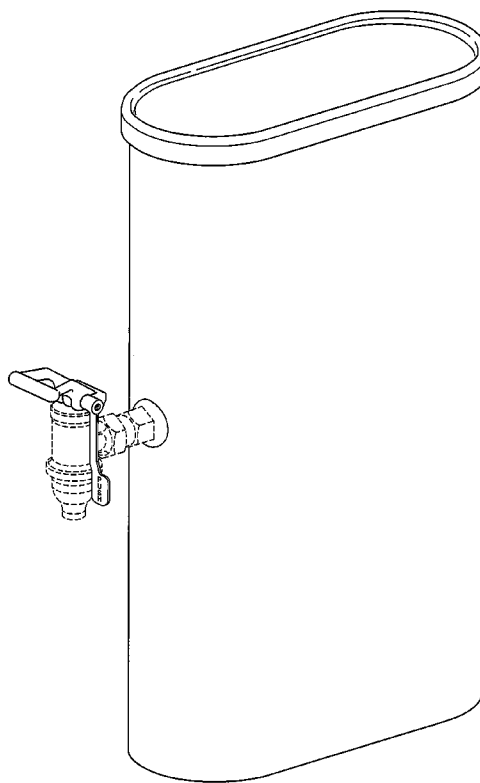
FIG. 5 is a rear elevational view thereof;

FIG. 6 is a right-side elevational view thereof; and,

FIG. 7 is a left-side elevational view thereof.

The broken lines in the drawings are included for the purpose of illustration and form no part of the claimed design.

**1 Claim, 5 Drawing Sheets**



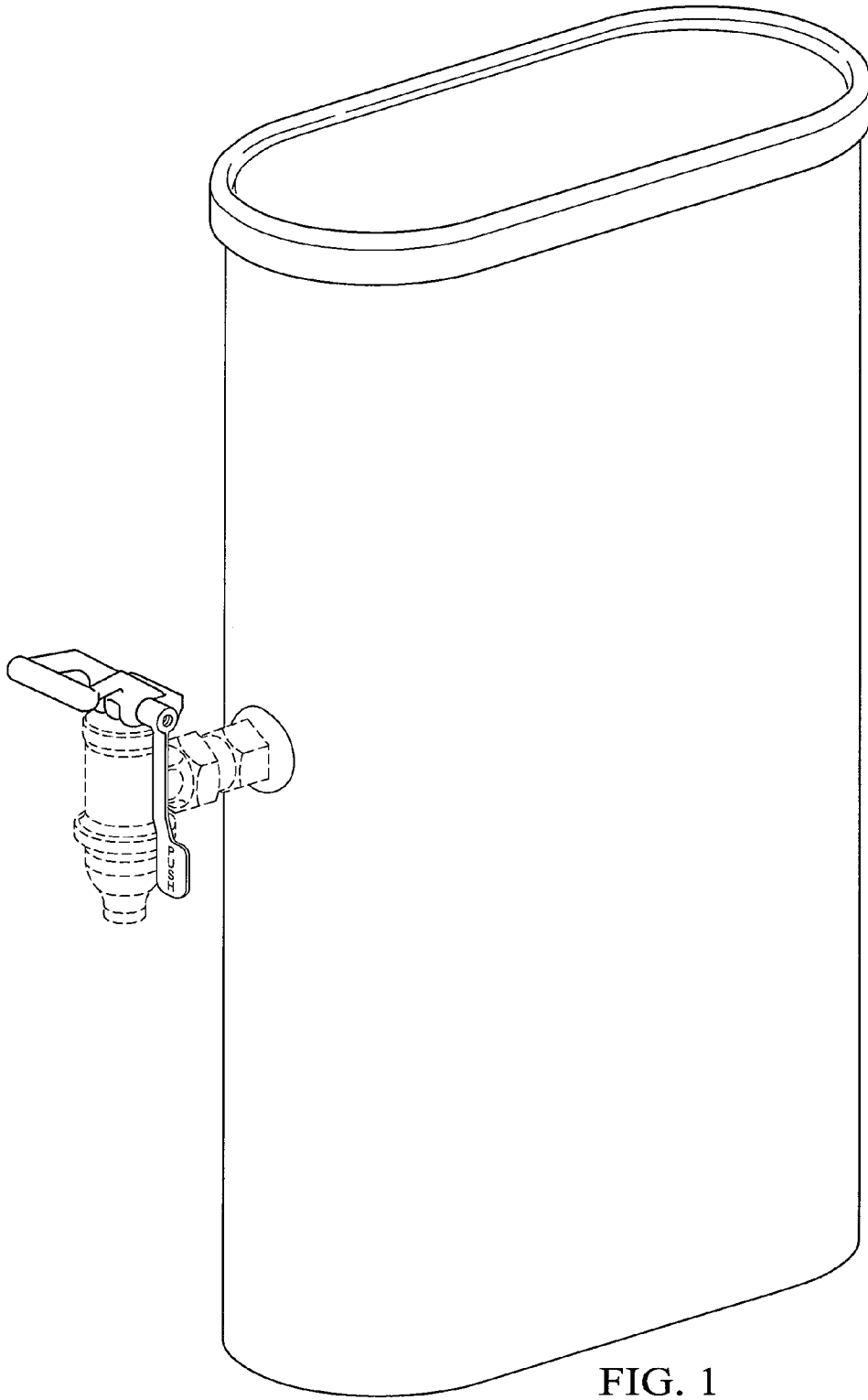


FIG. 1

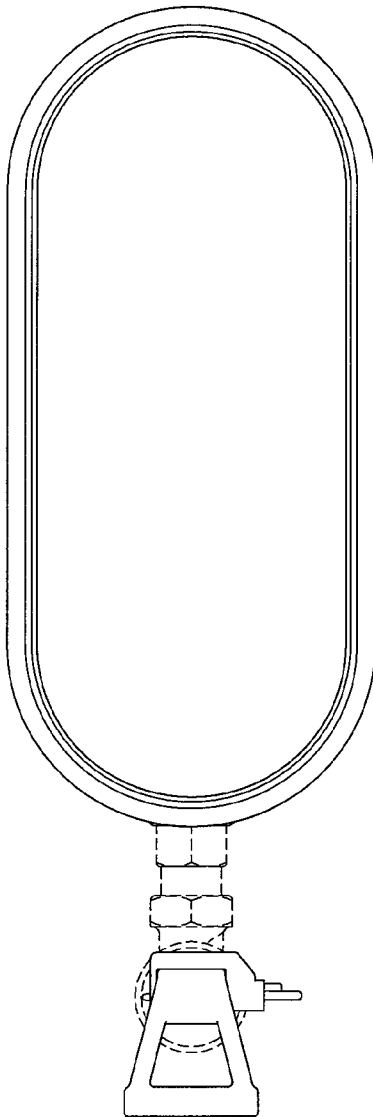


FIG. 2

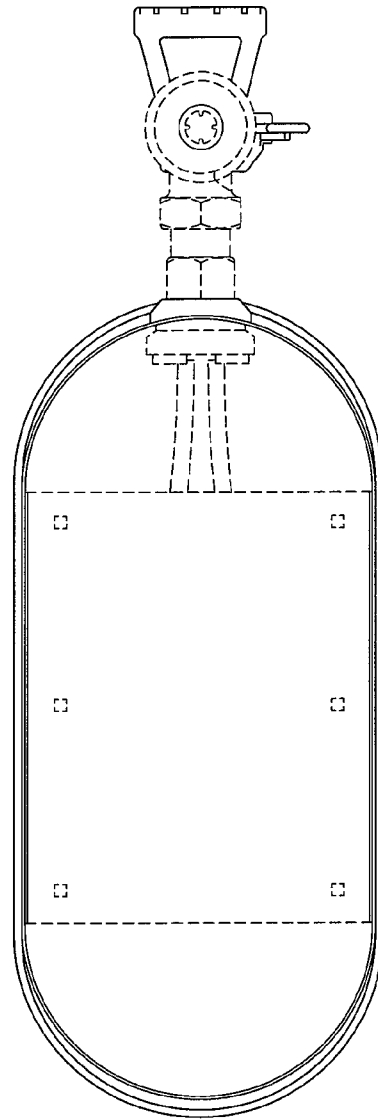


FIG. 3

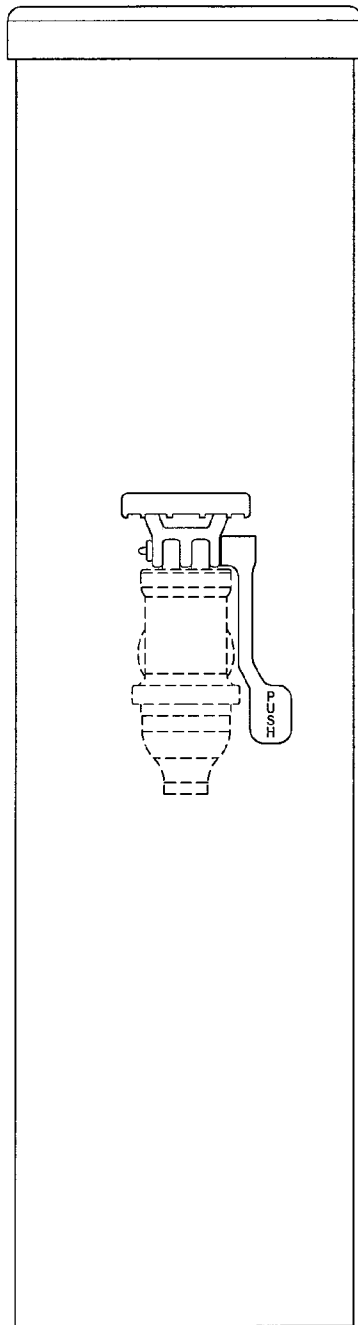


FIG. 4

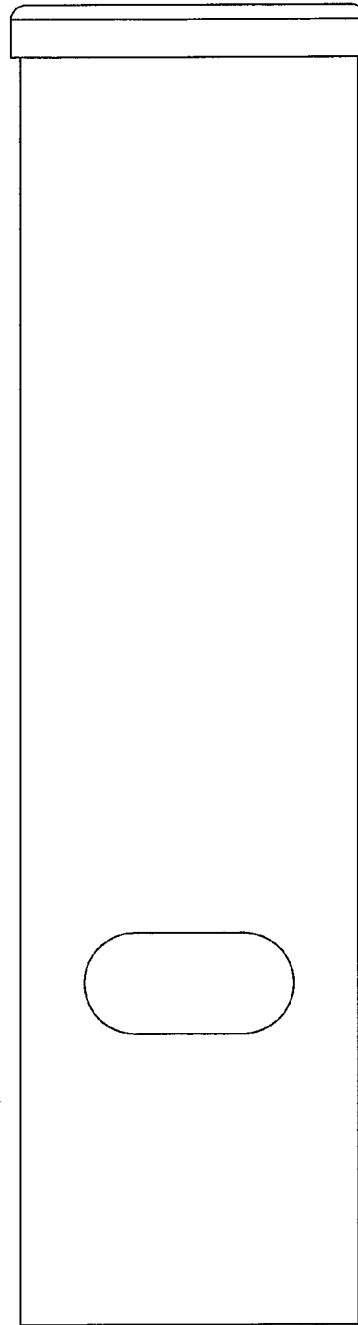


FIG. 5

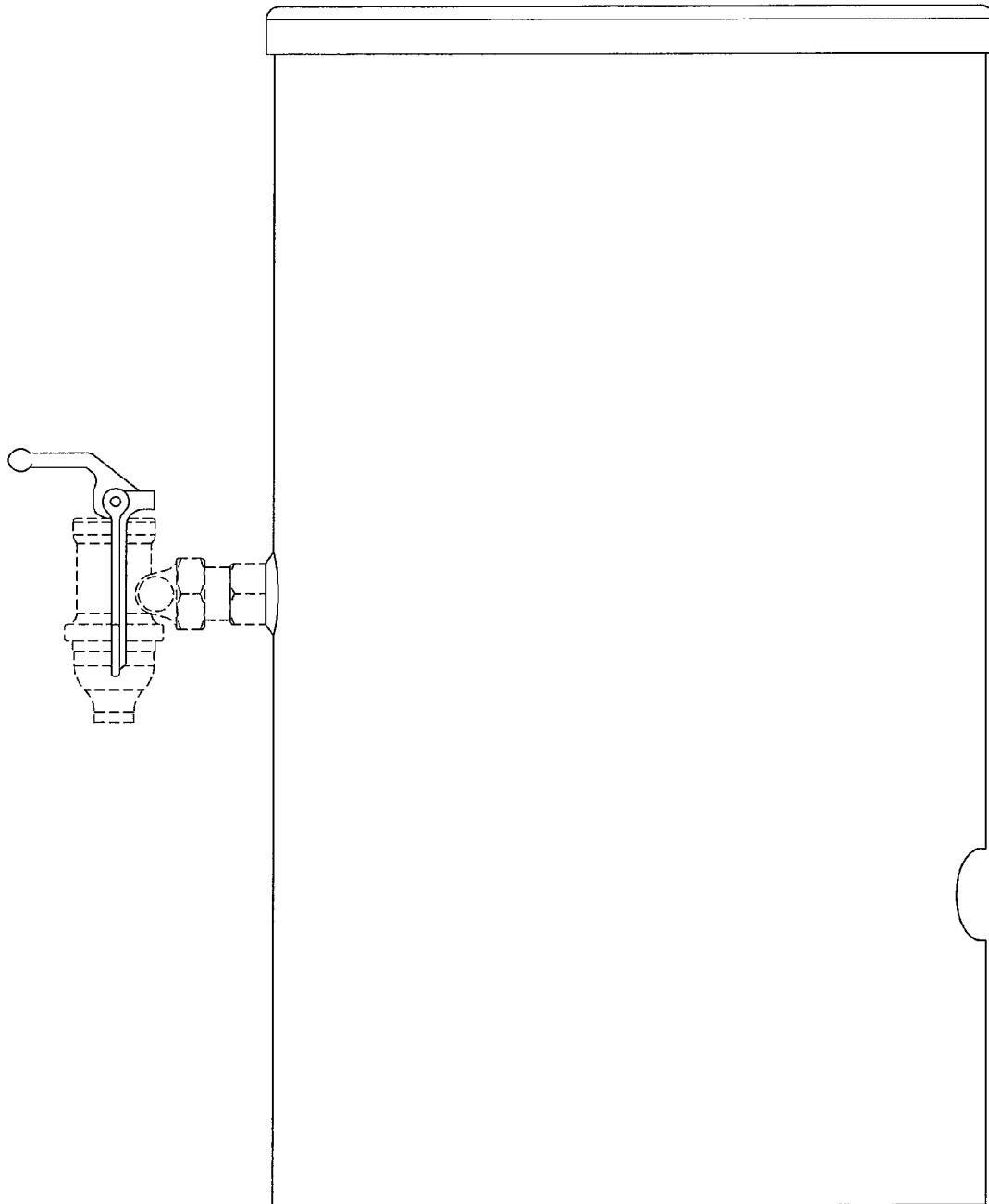


FIG. 6

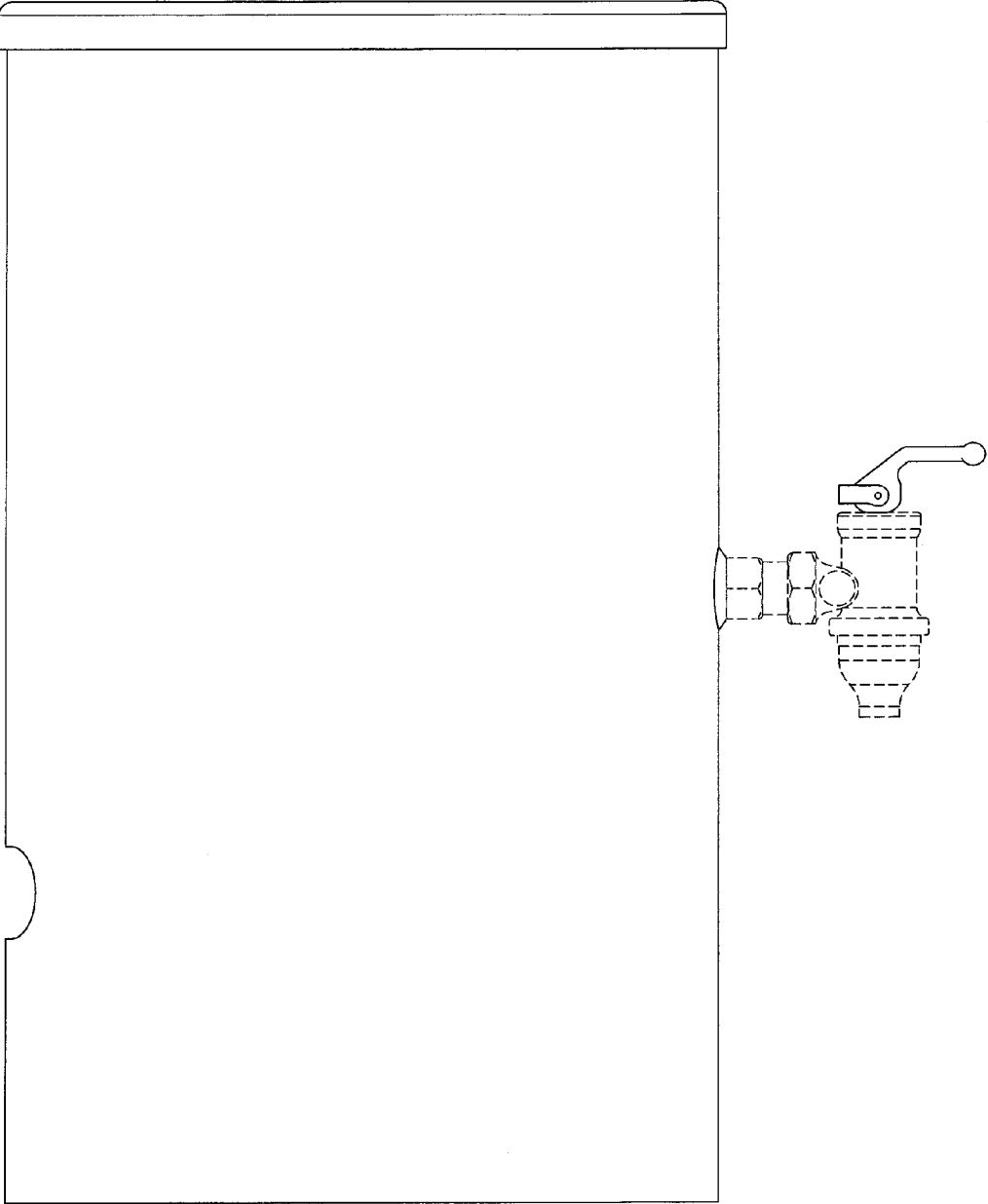


FIG. 7