



US00D696360S

(12) **United States Design Patent**
Holm

(10) **Patent No.:** **US D696,360 S**

(45) **Date of Patent:** **** *Dec. 24, 2013**

(54) **BUILDING BLOCK FROM A TOY BUILDING SET**

(75) Inventor: **Louise Holm**, Aarhus (DK)

(73) Assignee: **Lego A/S**, Billund (DK)

(*) Notice: This patent is subject to a terminal disclaimer.

(**) Term: **14 Years**

(21) Appl. No.: **29/410,285**

(22) Filed: **Jan. 6, 2012**

(30) **Foreign Application Priority Data**

Jul. 11, 2011 (EM) 001284608

(51) **LOC (9) Cl.** **21-01**

(52) **U.S. Cl.**
USPC **D21/484**

(58) **Field of Classification Search**

USPC D21/453, 484, 489, 490, 492, 493, 504,
D21/505, 564, 565, 802, 818; 446/168-174,
446/84, 89, 108, 112, 114, 116, 124-128,
446/429, 444-447; 463/58-69; 104/60, 69

See application file for complete search history.

(56) **References Cited**

U.S. PATENT DOCUMENTS

2,119,921 A *	6/1938	Levy	446/116
D295,646 S *	5/1988	Knudsen	D21/492
D326,877 S *	6/1992	Andersen	D21/503
D332,471 S *	1/1993	Rahbek	D21/503
D672,402 S *	12/2012	Macadam	D21/491

FOREIGN PATENT DOCUMENTS

HK 1100560.0M002 4/2011

* cited by examiner

Primary Examiner — Cynthia M Chin

(74) *Attorney, Agent, or Firm* — Day Pitney LLP

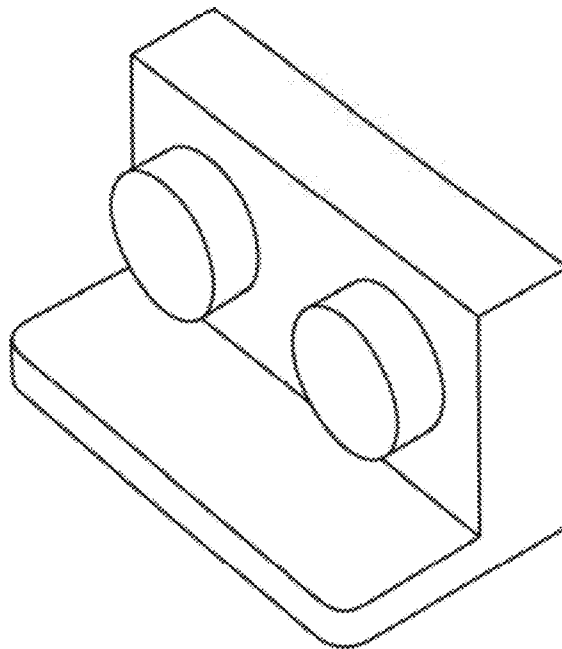
(57) **CLAIM**

The ornamental design for a building block from a toy building set, as shown and described.

DESCRIPTION

FIG. 1 is a top perspective view of my ornamental design for a building block from a toy building set;
FIG. 2 is a top plan view thereof;
FIG. 3 is a bottom plan view thereof;
FIG. 4 is a front view thereof;
FIG. 5 is a rear view thereof;
FIG. 6 is a right side view thereof; and,
FIG. 7 is a left side view thereof.
The broken lines in each of the figures are for environmental purposes only and form no part of the claimed design.

1 Claim, 7 Drawing Sheets



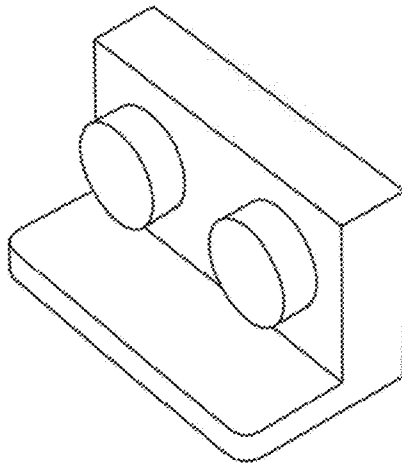


FIG. 1

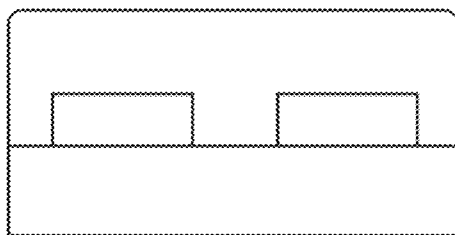


FIG. 2

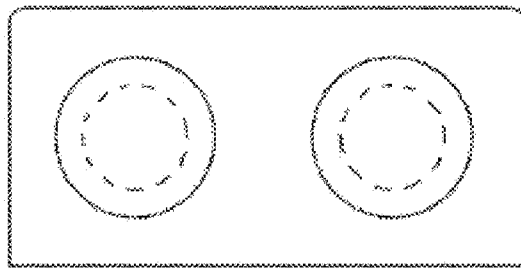


FIG. 3

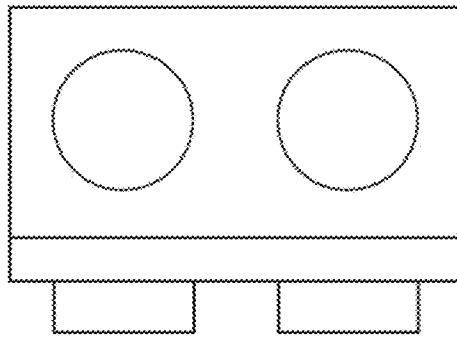


FIG. 4

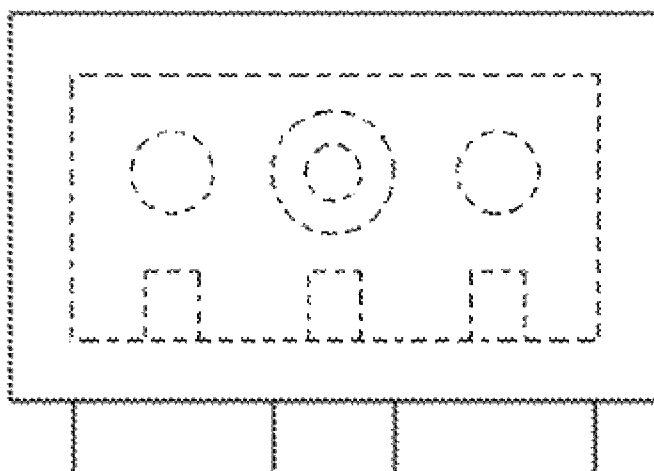


FIG. 5

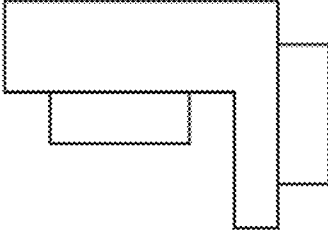


FIG. 6

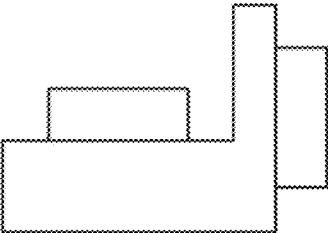


FIG. 7