



US00D433658S

United States Patent [19]
Donikoglu

[11] **Patent Number: Des. 433,658**

[45] **Date of Patent: ** Nov. 14, 2000**

[54] **WHEEL**

[75] Inventor: **Melkon A. Donikoglu**, Southfield, Mich.

[73] Assignee: **Ultra Wheel Co.**, Buena Park, Calif.

[**] Term: **14 Years**

[21] Appl. No.: **29/119,216**

[22] Filed: **Feb. 25, 2000**

[51] **LOC (7) Cl.** **12-16**

[52] **U.S. Cl.** **D12/209**

[58] **Field of Search** D12/204-211;
301/37.1, 64.1, 65

[56] **References Cited**

U.S. PATENT DOCUMENTS

D. 329,416	9/1992	Braugart et al.	D12/209
D. 333,648	3/1993	Schwenk	D12/209
D. 388,045	12/1997	Sakagami et al.	D12/209
D. 403,649	1/1999	Moreno	D12/211
D. 407,363	3/1999	Muzzarelli	D12/209
D. 409,968	5/1999	Goplen	D12/211

D. 411,160	6/1999	Hall	D12/211
D. 411,501	6/1999	Cullen	D12/209
D. 416,532	11/1999	Cullen	D12/209
D. 416,846	11/1999	Melegari et al.	D12/209
D. 416,848	11/1999	Bernoni	D12/209
D. 418,794	1/2000	Chung	D12/209
D. 418,798	1/2000	Muzzarelli et al.	D12/211
D. 423,442	4/2000	Hussaini et al.	D12/209

Primary Examiner—Stacia Cadmus
Attorney, Agent, or Firm—Pretty, Schroeder & Poplawski

[57] **CLAIM**

The ornamental design for a wheel, as shown and described.

DESCRIPTION

FIG. 1 is a perspective view of a wheel showing my new design;

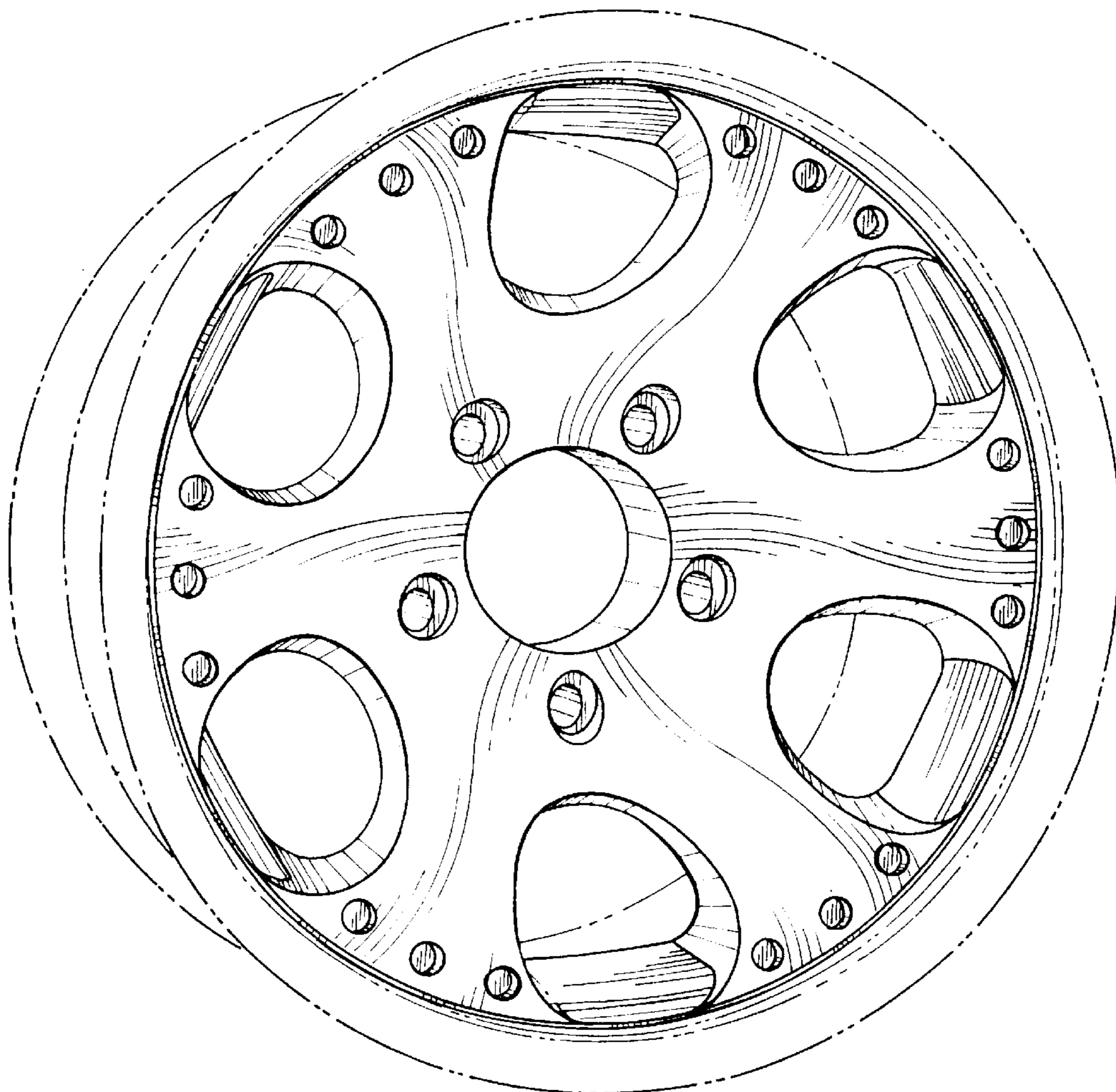
FIG. 2 is a reduced front elevational view thereof; and,

FIG. 3 is a cross-sectional elevational view thereof taken along the line 3—3 in FIG. 2.

The broken line disclosure in FIGS. 1-3 is for illustrative purposes only and forms no part of the claimed design.

The rear of the wheel forms no part of the claimed design.

1 Claim, 3 Drawing Sheets



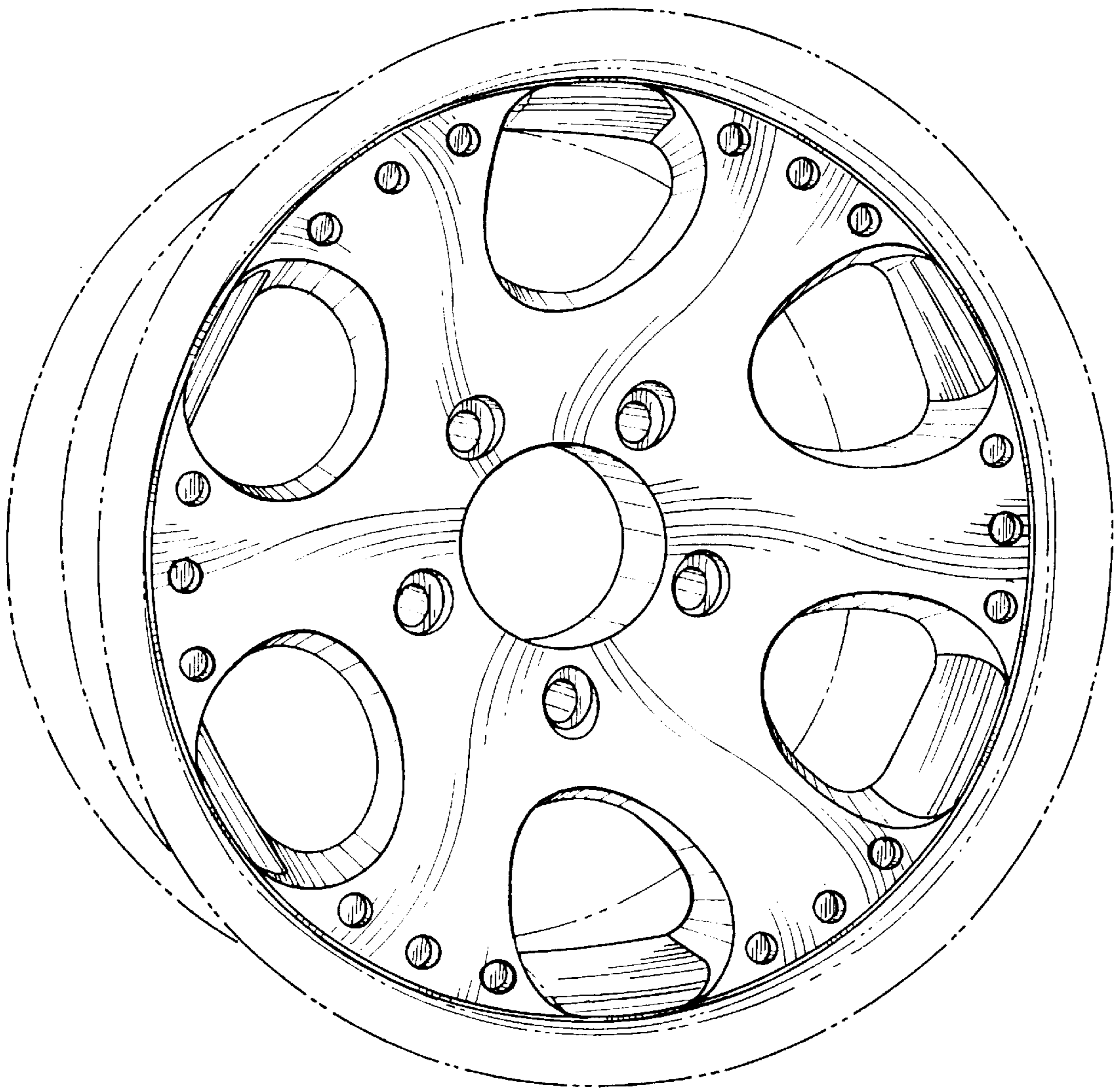


FIG. 1

FIG. 2

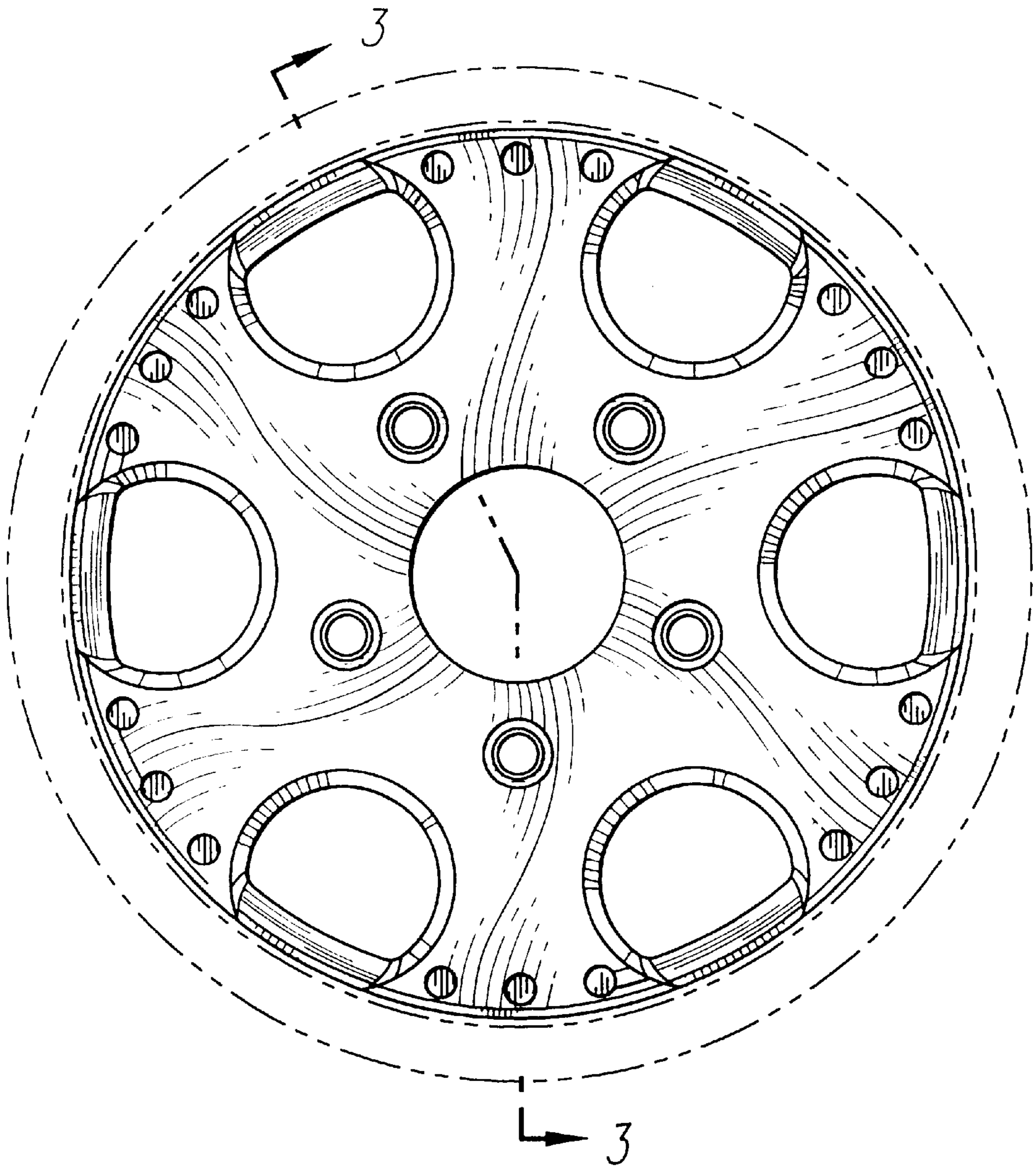


FIG. 3

