



US00D780861S

(12) **United States Design Patent** (10) **Patent No.:** **US D780,861 S**
Jones (45) **Date of Patent:** **** Mar. 7, 2017**

(54) **LOCKING BARBELL COLLAR**
(71) Applicant: **Dylan Jones**, Santa Barbara, CA (US)
(72) Inventor: **Dylan Jones**, Santa Barbara, CA (US)
(**) Term: **15 Years**
(21) Appl. No.: **29/556,727**
(22) Filed: **Mar. 2, 2016**
(51) **LOC (10) Cl.** **21-01**
(52) **U.S. Cl.**
USPC **D21/694; D8/396**
(58) **Field of Classification Search**
USPC 482/107, 108, 106, 44, 148, 93, 910;
D21/694, 681, 679, 839; D8/396, 331,
D8/399, 394; D13/152, 154; D6/682;
D23/265; 24/580.11, DIG. 44, DIG. 53,
24/273, 530, 270, 524; 285/409, 366,
285/410, 411, 112, 373; 403/318, 359.3,
403/344, 362, 17, 374.5, 109.1; 135/75,
135/65, 76; 42/124, 127
CPC Y10S 707/99938; G06F 17/30362; G06F
9/526; G06F 9/52; E05B 47/0012
See application file for complete search history.

(56) **References Cited**
U.S. PATENT DOCUMENTS
D188,377 S * 7/1960 Martin D13/152
3,113,791 A * 12/1963 Frost F16L 17/04
24/270
3,305,234 A * 2/1967 Cline A63B 21/0728
24/270
D280,433 S * 9/1985 Lincir D21/694
D287,387 S * 12/1986 Oliver D21/694
(Continued)

OTHER PUBLICATIONS
Lock-Jaw Pro 2 Barbell Collar (2" / 50mm) by Lock Jaw dated Dec.
27, 2016. Found online [Jan. 5, 2017] <https://www.amazon.com/>

Lock-Jaw-PRO-Barbell-Collar-50mm/dp/B01MQF0KKU?_
encoding=UTF8&pd_rd_i=B01MQF0KKU&pd_rd_
r=76VCMJA4NV4X1J305NS2&pd_rd_w=9fwXC& pd_rd_
wg=mVBL4&pssc=1.*

(Continued)

Primary Examiner — Robert M Spear
Assistant Examiner — Ryan Harvey
(74) *Attorney, Agent, or Firm* — QuickPatents, LLC;
Kevin Prince

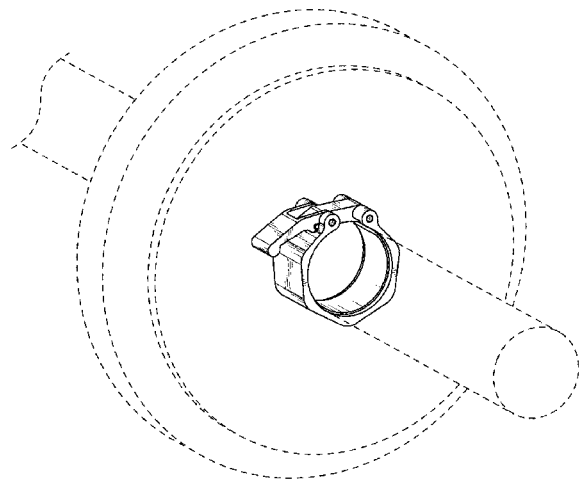
(57) **CLAIM**

I claim the ornamental design for a locking barbell collar, as shown and described.

DESCRIPTION

FIG. 1 is a perspective view of a locking barbell collar, showing my new design in a locked position; FIG. 2 is a right-side elevational view of FIG. 1; FIG. 3 is a left-side elevational view of FIG. 1; FIG. 4 is a front elevational view of FIG. 1; FIG. 5 is a rear elevational view of FIG. 1; FIG. 6 is a top plan view of FIG. 1; FIG. 7 is a bottom plan view of FIG. 1; FIG. 8 is a perspective view thereof, illustrated in an unlocked position; FIG. 9 is a right-side elevational view of FIG. 8; FIG. 10 is a left-side elevational view of FIG. 8; FIG. 11 is a front elevational view of FIG. 8; FIG. 12 is a rear elevational view of FIG. 8; FIG. 13 is a top plan view of FIG. 8; and, FIG. 14 is a bottom plan view of FIG. 8. The broken lines showing a dumbbell and weight in FIGS. 1 and 8 depict environmental matter and form no part of the claimed design.

1 Claim, 8 Drawing Sheets



(56)

References Cited

U.S. PATENT DOCUMENTS

4,639,979 A * 2/1987 Polson A63B 21/0728
 24/273
 4,773,641 A * 9/1988 Metz A63B 21/0728
 24/671
 5,295,933 A * 3/1994 Ciminski A63B 21/0728
 24/270
 5,591,109 A * 1/1997 Strnad A63B 21/0728
 24/524
 D412,972 S * 8/1999 Kroulik D23/265
 D437,015 S * 1/2001 Rojas D21/679
 D438,783 S * 3/2001 Elliott F16L 23/10
 D8/396
 D550,075 S * 9/2007 Tung D8/396
 D584,604 S * 1/2009 Baldwin D8/396
 7,494,451 B1 * 2/2009 Ramos A63B 21/0728
 482/107
 7,828,340 B2 * 11/2010 Heelan, Jr. F16L 21/065
 285/366
 D641,993 S * 7/2011 Scott D6/682

8,397,421 B2 * 3/2013 Ding F41G 11/003
 42/124
 D694,841 S * 12/2013 Ciminski D21/681
 8,776,810 B2 * 7/2014 Lah A45B 9/00
 135/65
 D712,730 S * 9/2014 Gridley D8/396
 D736,884 S * 8/2015 Lovley, II D21/839
 9,109,616 B1 * 8/2015 Ballentine F16B 7/1454
 9,212,777 B2 * 12/2015 Shi F16M 13/022
 9,297,477 B2 * 3/2016 Yoder F16K 35/10
 D764,608 S * 8/2016 Jones D21/694
 D766,384 S * 9/2016 Jones D21/694
 2008/0287271 A1 * 11/2008 Jones A63B 21/0728
 482/107

OTHER PUBLICATIONS

Rogue HG Collars by Rogue dated Jan. 5, 2012. Found online [Jan. 5, 2017] <http://www.roguefitness.com/rogue-hg-collars>.*
 Lock-Jaw Pro 2 by LockJaw dated no date given. Found online [Jan. 5, 2017] <http://lockjawcollar.com/collections/lock-jaw-barbell-collars/products/lock-jaw-pro-2>.*

* cited by examiner

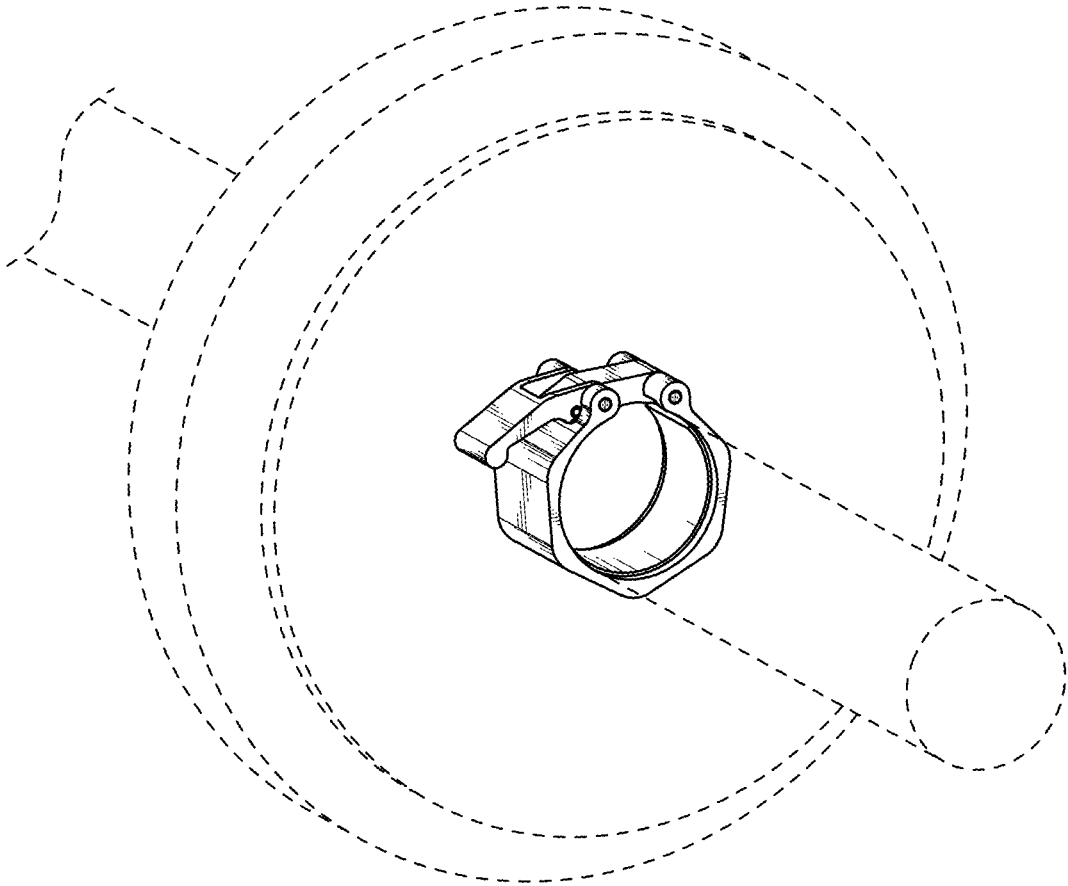


FIG. 1

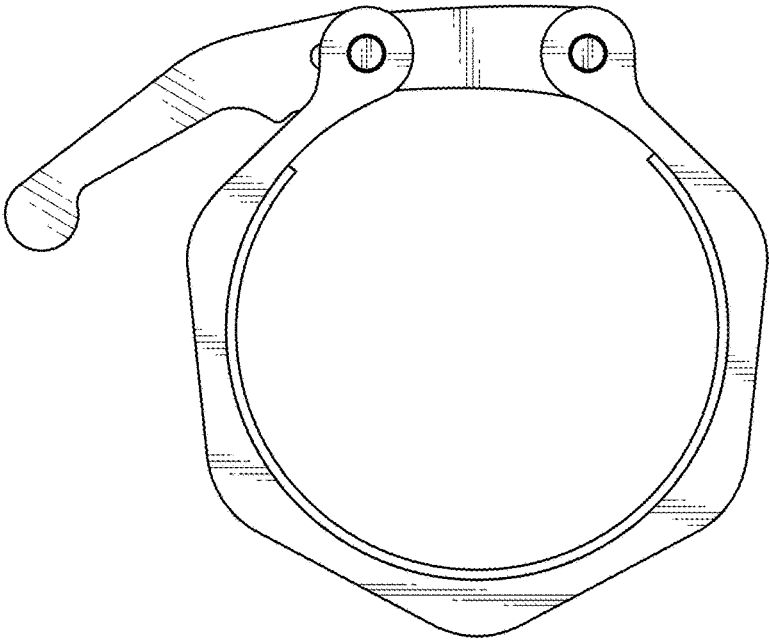


FIG. 2

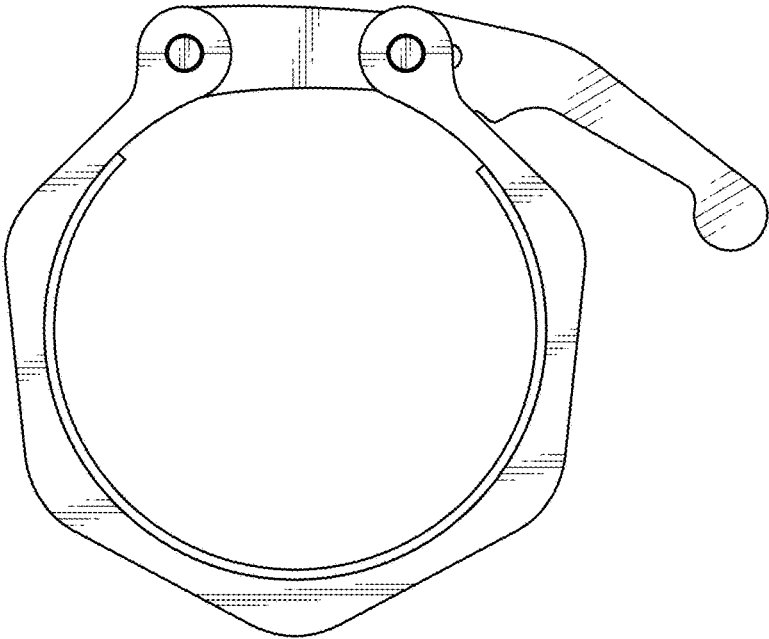


FIG. 3

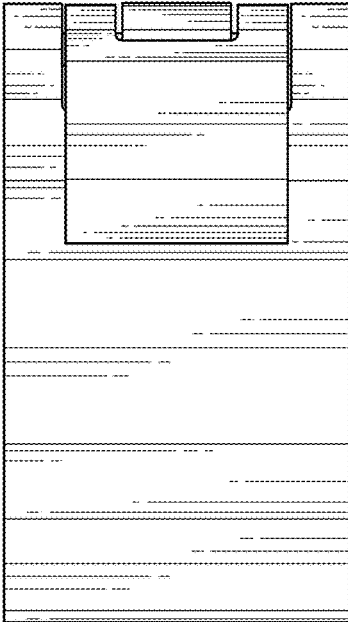


FIG. 4

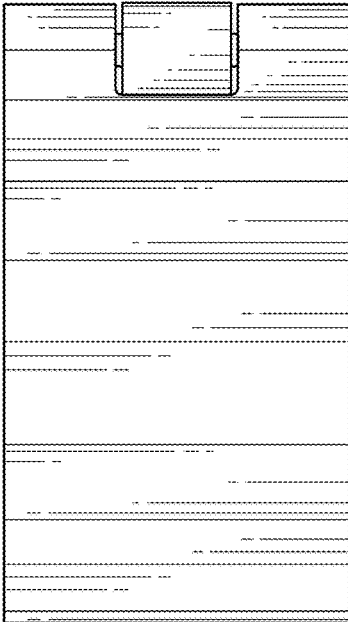


FIG. 5

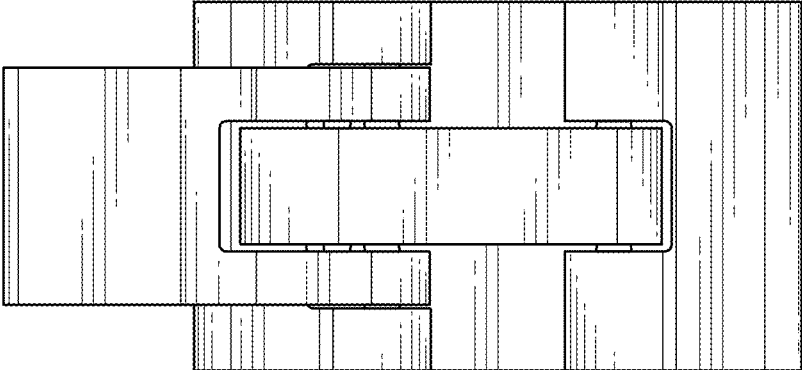


FIG. 6

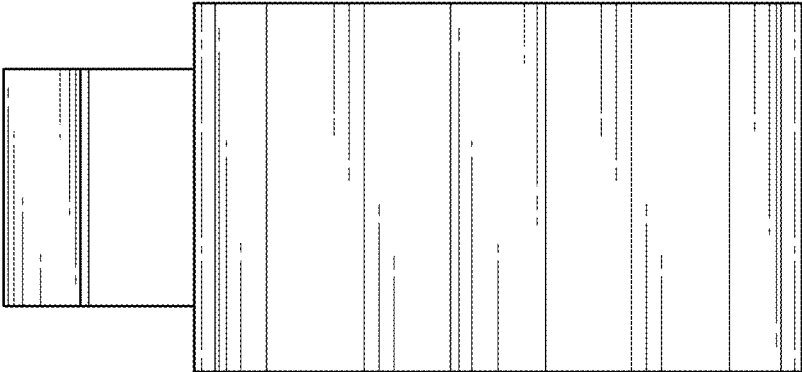


FIG. 7

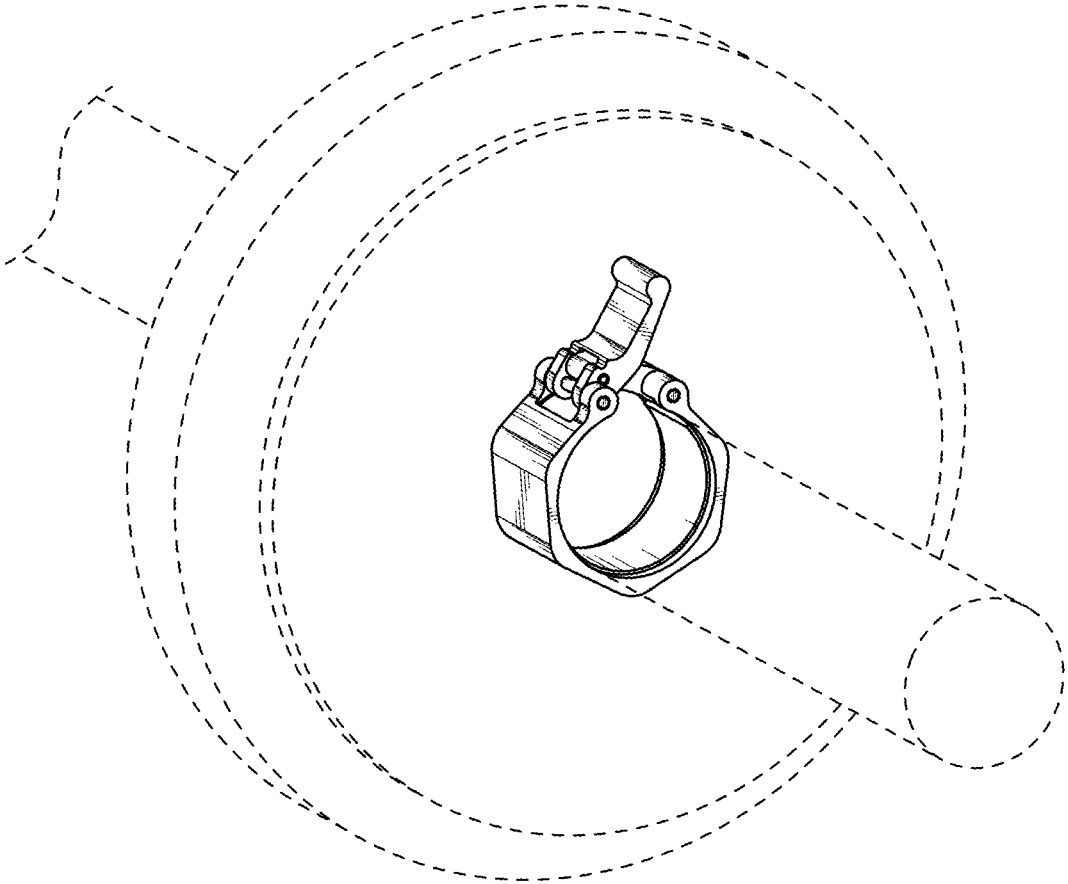


FIG. 8

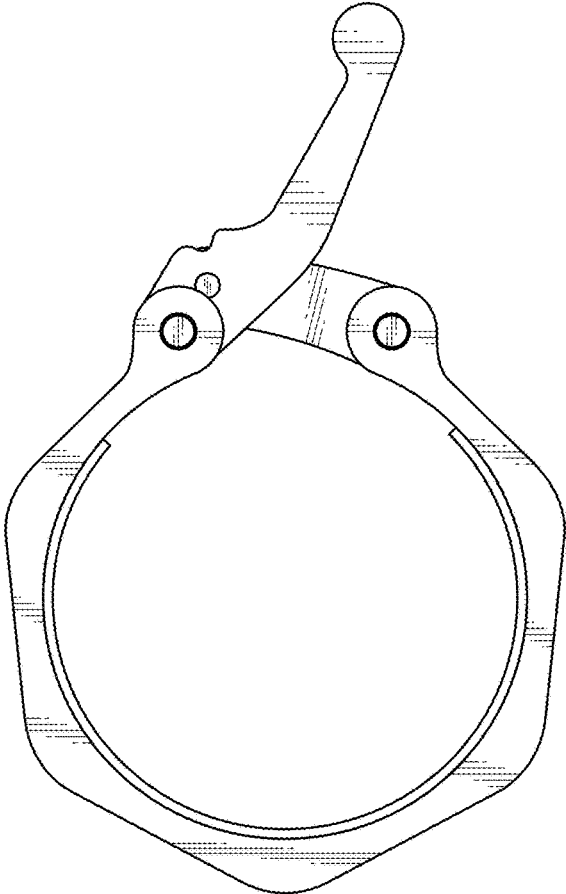


FIG. 9

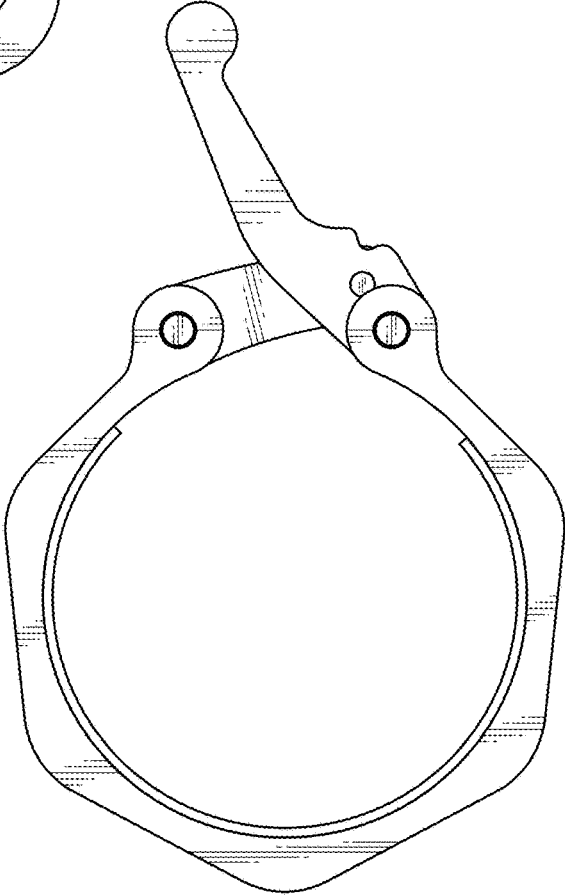


FIG. 10

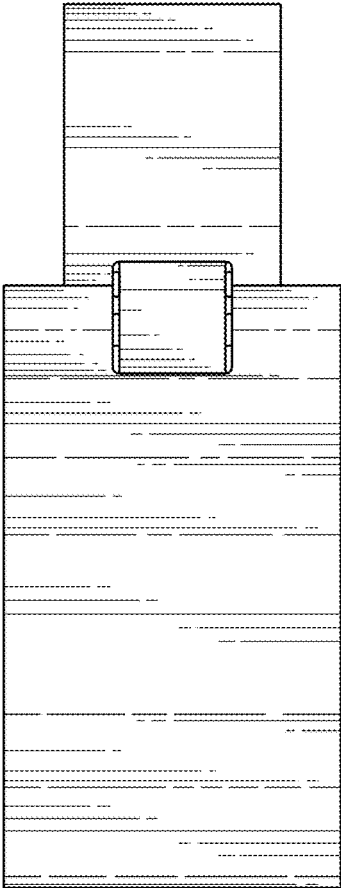


FIG. 11

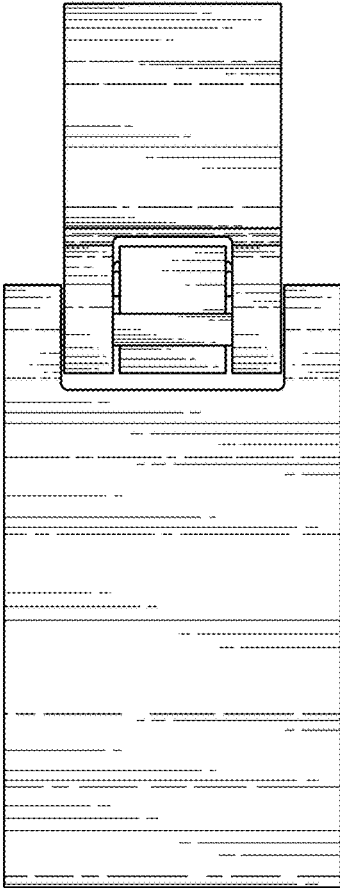


FIG. 12

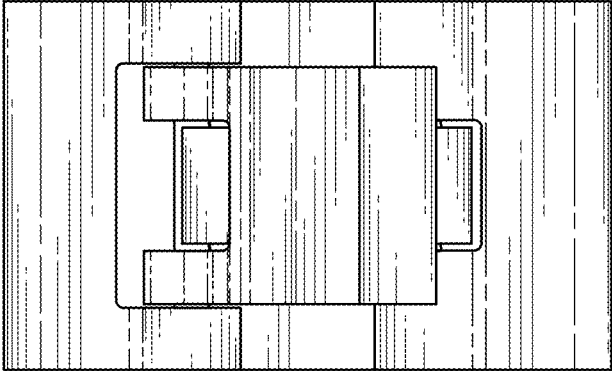


FIG. 13

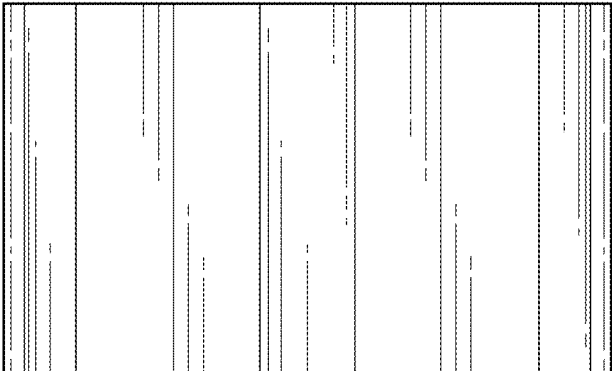


FIG. 14