
(12) PATENT ABRIDGMENT (11) Document No. AU-B-33159/89
(19) AUSTRALIAN PATENT OFFICE (10) Acceptance No. 609597

(54) Title
A HOUSING FOR SUBMERSIBLE EQUIPMENT

International Patent Classification(s)
(51)⁴ H05K 007/20 H04B 001/38 H04B 003/02
(51)⁵ H02G 015/14

(21) Application No. : 33159/89 (22) Application Date : 18.04.89

(30) Priority Data

(31) Number (32) Date (33) Country
88 05297 21.04.88 FR FRANCE

(43) Publication Date : 26.10.89

(44) Publication Date of Accepted Application : 02.05.91

(71) Applicant(s)
ALCATEL CIT

(72) Inventor(s)
ANDRE PELET; JACQUES CACHOT

(74) Attorney or Agent
PHILLIPS ORMONDE & FITZPATRICK, 367 Collins Street, MELBOURNE VIC 3000

(56) Prior Art Documents
GB 2190794
GB 2139859
AU 149250 34464/50 H02G 15/14

(57) Claim

1/ A housing for submersible equipment including electrical circuits, the housing comprising a heat conducting rigid tubular vessel closed in watertight manner at its ends, and receptacles for receiving the electrical circuits, said receptacles being rigid and heat-conducting and being pressed against the inside wall of the tubular vessel by means of springs in such a manner as to allow the heat produced by the circuits to be dissipated out from the housing via the receptacles and the tubular vessel, wherein the housing includes springs of the split annular type each being individually surrounded and compressed by all of the receptacles which are thereby urged by reaction against the inside wall of the tubular vessel.

3/ A housing according to claim 1 or 2, wherein the receptacles bear against the annular springs via ridge-shaped supports each of which bears against the outside wall of one of the annular

(11) AU-B-33159/89
(10) 609597

-2-

springs via its own inside walls of its ridge shape with the outside of each support having at least one receptacle bearing thereagainst.

6. A housing according to any one of claims 3, 4 or 5, wherein two receptacles are mounted, side by side, between two aligned hinge members belonging each to a different support, said two receptacles being respectively retained at one of their two longitudinal edges between said two hinge members of the supports which carry them and each receptacle being capable of rotating from a folded-down position where it bears against one of the outside walls of the ridge of each of the two supports, which position is occupied inside the tubular vessel, and an open position which is accessible outside the tubular vessel and which gives access to the cavity receiving an electrical circuit, with the bottom of the cavity being adjacent to the wall of said receptacle which bears against the inside wall of the tubular vessel.

A HOUSING FOR SUBMERSIBLE EQUIPMENT

The invention relates to housing for submersible equipment including electrical circuits which, in operation, give off heat that must be dissipated out from the housing. The
5 invention relates more particularly to repeater housings for undersea communications cables.

BACKGROUND OF THE INVENTION

In order to be suitable for being immersed, sometimes at great depth, the circuits of such electrical equipment are
10 enclosed in watertight housings designed to withstand high external pressure without major deformation; this applies in particular to the housings enclosing the electronic and/or electro-optical circuits of repeaters.

Electrically powered equipment generates heat in operation
15 and this raises the temperature inside the housings. If a large amount of heat is produced in operation, it becomes necessary to provide heat dissipating means in order to avoid overheating the components of the equipment enclosed in the housing.

A housing provided with such means is described, for
20 example, in French patent number FR-A-2 546 009, and it comprises a rigid metal tubular vessel which is a good conductor of heat and which is arranged and dimensioned so as to be capable of withstanding high external pressures and so as to be
25 suitable for containing the circuits constituting a repeater internally.

The circuits are distributed therein in compartments in
30 the form of 120° cylindrical sectors which build up to form a cylinder inside the tubular vessel. The inside diameter of the vessel is slightly larger than the diameter of the cylinder built up from the compartments, thereby leaving clearance for the deformation which may be caused by the pressure due to immersion.

The compartments are urged apart from one another by
35 interposed springs, thereby urging them indirectly against the inside wall of the tubular vessel.

This arrangement suffers from the drawback of transmitting heat to the tubular vessel via areas of contact between the shaped surfaces of the compartments and of the vessel, which surfaces should fit one another accurately, whereas the vessel is liable to be deformed by the pressure of the fluid in which the housing is immersed, when immersed at depth.

This is made worse by the fact that the system of intermediate springs does not necessarily give rise to uniform distribution of clearance and can sometimes give rise to misalignments.

Further, in order to be accessible, the heat-producing circuits are mounted in cavities which open towards the outside of the cylinder delimited by the assembled compartments, thereby limiting the contact area between the compartments and the inside wall of the tubular vessel to zones situated around said cavities.

The invention therefore proposes a housing of the tubular type having a large cooling capacity, having little sensitivity to variations in pressure, which is simple in design and to assemble, and which is suitable for submersible equipment including electrical circuits that give off a large amount of heat in operation, which heat is dissipated to the outside via the tubular vessel of the housing.

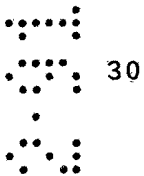
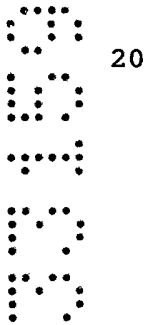
SUMMARY OF THE INVENTION

~~The housing comprises a heat conducting rigid tubular vessel closed in watertight manner at its ends, and receptacles for receiving the electrical circuits, said receptacles being rigid and heat-conducting and being pressed against the inside wall of the tubular vessel by means of springs in such a manner as to allow the heat produced by the circuits to be dissipated out from the housing via the receptacles and the tubular vessel.~~

According to a characteristic of the invention, the housing includes springs of the split annular type, each being individually surrounded and compressed by all of the receptacles which are thereby urged by reaction against the inside wall of the tubular vessel.



According to the present invention there is provided a housing for submersible equipment including electrical circuits, the housing comprising a heat conducting rigid tubular vessel closed in watertight manner at its ends, and receptacles for receiving the electrical circuits, said receptacles being rigid and heat-conducting and being pressed against the inside wall of the tubular vessel by means of springs in such a manner as to allow the heat produced by the circuits to be dissipated out from the housing via the receptacles and the tubular vessel, wherein the housing includes springs of the split annular type each being individually surrounded and compressed by all of the receptacles which are thereby urged by reaction against the inside wall of the tubular vessel.



BRIEF DESCRIPTION OF THE DRAWINGS

Embodiments of the invention are described by way of example with reference to the accompanying drawings, in which:

Figure 1 is a fragmentary exploded view of a housing for
5 submersible electrical equipment;

Figure 2 is an end view in diametrical half-section of the
Figure 1 housing when assembled;

Figure 3 is a fragmentary longitudinal section through the
Figure 1 housing, when assembled; and

10 Figure 4 is an end view in diametrical half-section of a
variant of the housing.

DETAILED DESCRIPTION

The housing shown in Figures 1 to 3 is intended to house
submersible equipment including electrical circuits which heat
15 sufficiently to require means to be provided for dissipating
the heat towards the outside of the housing.

In a conventional application, the submersible equipment
is a repeater for a submarine communications cable having
electronic and/or electro-optical circuits which are housed in
20 a tubular vessel 1. The vessel is designed to be closed at its
ends in watertight manner via partitions provided with
watertight feedthroughs for an undersea communications cable,
with the partitions, the feedthroughs, and the cables being
omitted from the drawings.

25 The tubular vessel 1 of cylindrical appearance is
constituted by a rigid material which is a good conductor of
heat, and it is dimensioned so as to deform little under the
effect of the high external pressure to which it may be
subjected if the housing including the vessel is immersed at
30 depth.

The tubular vessel 1 is constituted, for example, by a
steel tube of circular cross section and is optionally covered
internally and/or externally in an electrical insulating layer,
e.g. of polyethylene, enabling all or a portion of the contents
35 of the tube to be insulated from the tube and/or enabling the
tube and its contents to be insulated relative to the medium in
which it is immersed.

The portion of the equipment to be housed inside the tubular vessel 1 and constituted in a repeater by a set of electronic and/or electro-optical circuits is distributed over the volume available inside said tubular vessel in conventional
5 manner.

Circuits including components which give off a large amount of heat in operation are disposed close to the inside wall of the envelope.

To this end, circuits including components that give off a
10 large amount of heat (not shown in order to avoid overcrowding the figures) are disposed in receptacles 2 made of a rigid material which is a good conductor of heat, said receptacles being shaped in such a manner as to come substantially into close contact with the inside wall of the tubular vessel. As
15 shown in Figures 1 and 2, each of these receptacles 2 has a large plane outer surface 3 which is slightly smaller than the plane facette 4 of the inside wall of the tubular vessel 1 against which it is pressed. Similarly, each of the receptacles 2' of the variant shown in Figure 4 has a large curved
20 outer surface 3' which is complementary to a cylindrical inside wall sector of the tubular vessel against which it is pressed.

In a preferred embodiment, a thin metal cushion 5 or 5' is inserted between each large outer surface 3 or 3' of a
25 receptacle 2 or 2' and the inside wall 4 or 4' of the tubular vessel 1 or 1' against which said large surface is pressed.

Each metal cushion 5 or 5' is constituted by a fine woven metal envelope surrounding a resilient metal knit, both being good conductors of heat.

The appearance of each of the receptacles 2 or 2' is at
30 least roughly that of a rectangular parallelepiped, and each receptacle is made of a material which is a good conductor of heat and includes at least one circuit-receiving cavity 6 or 6' with the bottom of the cavity lying close to the large surface 3 or 3' of the receptacle, but on the inside thereof. In the
35 embodiments shown, the cavities which are generally in the form of rectangular parallelepipeds occupy the major portions of the receptacles so as to be able to receive printed circuit cards of large dimensions.

In the embodiment shown in Figures 1 to 3, the bottom of the cavity 6 in each receptacle 2 extends parallel to the large plane outer surface 3 of the receptacle and close thereto so as to enable a printed circuit card to be positioned in the cavity parallel to the bottom and consequently close to the inside wall of the tubular vessel 1 against which the large plane outer surface 3 adjacent thereto is pressed. Electrical circuits which generate heat can thus be cooled highly effectively by placing them on cards such as 7 disposed on the bottoms of the cavities 6, thereby enabling the cards to transmit the heat produced to the tubular vessel 1 over the entire area of the large plane outer surface 3 of each receptacle, and through the metal cushion 5.

Similarly, in the embodiment shown in Figure 4, the bottom of the cavity in each receptacle 2 lies close to the large curved outer surface 3' of the receptacle, thereby also providing very good cooling for heat generating electrical circuits disposed on cards such as 7' or 7" received in the bottoms of the cavities.

It may be observed that the embodiment shown in Figure 4 makes it possible to obtain cavities of greater depth for the same outside diameter of the tubular vessel, and thus makes it possible to house components of greater height, should that be necessary. Thus, Figure 4 shows two different types of cavity bottom, one of them is intended to receive a circuit card such as 7' and is analogous to the cavities 6 shown in Figures 1 to 3, whereas the other is intended to receive a narrower circuit card such as 7", and then includes a step such as 20 making the cavity deeper.

In the embodiments shown in Figures 1 to 3 and in Figure 4, maximum possible use can be made of the area of the inside wall of the tubular vessel 1 or 1' by a judicious selection of the number of receptacles and the size of the large outer surfaces 3 or 3' of said receptacles as a function of requirements.

In order to ensure good conduction of heat between the receptacles 2 or 2' and the tubular vessel 1 or 1' through the

cushions 5 or 5', it is necessary to thrust the receptacles against the cushions and to thrust the cushions against the tubular vessel.

This is obtained by means of two annular springs 8 or 8' which are split transversely and which are compressed between supports 9 or 9' to which the receptacles 2 or 2' are fixed at the ends of the tubular vessel 1 or 1'.

Each annular spring is constituted by a wide strip of resilient material which is preferably insulating and which is looped so that it can be compressed by a set of centripetal forces so long as its transverse slot remains open. It is received between supports 9 or 9' which are uniformly spread around its periphery, such that each spring engages three supports disposed at 120° intervals around the spring in the examples shown.

The sides of each of the supports 9 or 9' for engaging the outside wall of a given annular spring are all fixed to a positioning plate 10 or 10' intended to be located transversely inside the tubular vessel 1 or 1' within the inside volume delimited by the receptacles 2 or 2'. The positioning plates 10 or 10' in a given vessel are fixed relative to each other by spacers 11 or 11'. There are two such plates in the embodiments shown, although a larger number of such plates could be provided in longer vessels which might otherwise be in danger of being squeezed centrally when immersed at great depth.

The spacers 11 or 11' fix together the plates 10 or 10' and thereby also fix together the supports 9 or 9' and the receptacles 2 or 2' so as to constitute an assembly capable of being inserted into or removed from the corresponding tubular vessel 1 or 1' in a single piece. The spacers 11 or 11' may optionally be used to support circuit components (not shown) which dissipate little or no heat in operation.

The supports 9 or 9' fixed to a common plate 10 or 10' at one end of the vessel for bearing against a common annular spring 8 or 8' are mounted in such a manner as to transmit the centrifugal pressure exerted by the spring to the receptacles 2 or 2' once the spring has been put into place. To this end,

each of these supports is provided with a small degree of freedom enabling it to move parallel to its plate, and consequently enabling it to move transversely inside the tubular vessel in which it has been placed.

5 In the embodiments shown, each receptacle 2 or 2' is mounted so as to be capable of rotating to some extent between two aligned supports 9 or 9' each fixed to a different corresponding plate 10 or 10' and holding said receptacle at one of its longitudinal ends.

10 The two supports associated with any given receptacle also serve a second receptacle associated adjacent to the first and running parallel thereto, lengthwise. The supports serve to position the two receptacles individually and/or jointly either in a folded-down position suitable for enabling the receptacles
 15 to be inserted into the tubular vessel 1 or 1' with their plane or curved large outer faces (depending on the embodiment) facing the inside wall of the tubular vessel, and an open position which can be reached only outside the tubular vessel in which the cavity 6 or 6' of the receptacle is directly
 20 accessible, as can be seen for the receptacle 2 shown at the bottom of Figure 1.

In the embodiments shown, each support 9 or 9' is constituted by a ridge portion suitable for pressing against the outside wall of an annular spring via its inside walls and
 25 for acting as a bearing surface at the end of rotation for each of the two receptacles it carries, via one or other of its outside walls.

As can be seen in greater detail for one of the supports 9 at the top of Figure 1, each support 9 or 9' is fixed to the
 30 plate by which it is carried by means of a bolt 12 or 12' passing along a duct 13 or 13' running parallel to the ridge line constituted by the support. The bolt 12 or 12' holds its support 9 or 9' axially in position between the projecting head of the bolt and the plate in which the bolt 12 or 12' is fixed
 35 longitudinally, e.g. by a screw thread.

Clearance is provided between each duct 13 or 13' and the corresponding bolt 12 or 12', thereby allowing the corres-

ponding supports to move transversely relative to the bolt 12 or 12'. In one embodiment, the section of the duct is slightly oblong with its long axis lying in a plane containing the ridge of the support 9 or 9', thereby enabling the supports 9 or 9' to move radially relative to the axis of the tubular vessel 1 or 1' in which they are received.

The pairs of receptacles 2 or 2' are hinged on the support 9 or 9' by means of a hinge member constituted in this case by an end lug extending perpendicularly to the ridge of the support. The lug is situated on the outside of the ridge and at the end of the support furthest from the plate on which the support is mounted. Each end lug has two receptacle hinges disposed symmetrically about a radial midplane and constituted by two parallel holes 14 or 14' for receiving a corresponding end 15 or 15' of a hinge pin for the corresponding one of the two receptacles 2 or 2' carried by the support 9 or 9' under consideration.

Each receptacle 2 or 2' is mounted to rotate on two aligned supports 9 or 9' mounted on two different plates, with the two ends 15 or 15' of its hinge pin being received in corresponding aligned holes 14 or 14' of the supports.

In the embodiments shown, six receptacles 2 or 2' are mounted in three pairs on supports 9 or 9', with their plane or curved large outer faces 3 or 3' defining a hexagonal or a cylindrical solid suitable for penetrating into the corresponding tubular vessel 1 or 1' when the receptacles are in their folded-down positions with their inside faces bearing against the outside walls of the ridges formed by the supports 9 or 9'.

By folding the receptacles 2 or 2' outwardly when the assembly is removed from the tubular vessel, it is possible to gain access to the circuits disposed in their cavities, which would otherwise be inaccessible.

The plates 10 or 10', the spacers 11 or 11', the supports 9 or 9', and the receptacles 2 or 2' fitted with their circuits are held together as an assembly by simple mechanical assembly operations prior to being located inside the corresponding

tubular vessel 1 or 1'. The assembly is merely inserted into the corresponding tubular vessel via one of its ends, with the receptacles being folded down into the positions they are to occupy inside the vessel.

5 The annular springs 8 or 8' are inserted between the support 9 or 9' via the ends of the tubular vessel after the above-mentioned assembly has been located therein, with such insertion requiring the springs to be compressed before they can be inserted. Once in place, the springs serve to urge the
10 receptacles 2 or 2' against the cushions 5 or 5' and to urge the cushions against the inside wall of the tubular vessel 1 or 1' by virtue of the direct centrifugal action of each of the springs against the support 9 or 9' between which it is located. The cushions 5 or 5' are naturally inserted into the
15 tubular vessel prior to the springs, e.g. together with the above-specified assembly.

Any possible localized deformation of the tubular vessel when immersed in depth is essentially absorbed by the metal cushions, while the annular springs serve mainly to position
20 the receptacles properly, and subsidiarily to avoid the rigid receptacles being deformed.

As mentioned above, the spacers 11 or 11' may be used as supports for circuits and/or components.

As shown in Figures 1 to 3, it is also possible to hinge
25 an additional circuit support card 16 on at least one of the receptacles 2, with the embodiment shown in the figures including one such card on each receptacle 2. Each card 16 is fixed on a receptacle 2 near one of its edges so as to be capable of being folded in to cover at least a portion of the cavity 6 in the receptacle and of being folded out to give
30 access to the entire cavity 6, when the receptacle is outside the tubular vessel 1. The necessary electrical and/or optical connections for the circuits on the plate 16 are provided by conventional means using flexible electrical and/or optical
35 conductors (not shown).

Naturally, although not shown, an additional circuit card analogous to the card 16 could be hinged on at least one of the receptacles 2' in the embodiment shown in Figure 4.

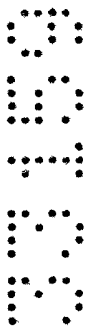
CLAIMS The claims defining the invention are as follows:

- 1/ A housing for submersible equipment including electrical circuits, the housing comprising a heat conducting rigid tubular vessel closed in watertight manner at its ends, and
 5 receptacles for receiving the electrical circuits, said receptacles being rigid and heat-conducting and being pressed against the inside wall of the tubular vessel by means of springs in such a manner as to allow the heat produced by the circuits to be dissipated out from the housing via the
 10 receptacles and the tubular vessel, wherein the housing includes springs of the split annular type each being individually surrounded and compressed by all of the receptacles which are thereby urged by reaction against the inside wall of the tubular vessel.
 15
- 2/ A housing according to claim 1, including a thin heat-conducting cushion inserted between each receptacle and the portion of the inside wall of the tubular envelope against which said receptacle is urged.
 20
- 3/ A housing according to claim 1 or 2, wherein the receptacles bear against the annular springs via ridge-shaped supports each of which bears against the outside wall of one of the annular springs via its own inside walls of its ridge shape with the
 25 outside of each support having at least one receptacle bearing thereagainst.
- 4/ A housing according to claim 3, wherein the supports pressed against the outside wall of the same annular spring are mounted
 30 on a plate disposed transversely inside the tubular vessel, and surrounded by the receptacles, and located at the same end of the vessel as the annular spring under consideration, with each support being suitable for performing limited displacement relative to its plate, over which it slides.
 35
- 5/ A housing according to claim 4, wherein each support has a duct going therethrough, said duct running parallel to the



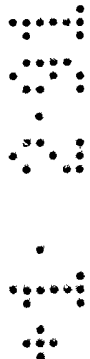
ridge formed by the support and receiving a bolt which is fixed perpendicularly to a plate so as to position the support on the periphery of the annular spring at the same end as the plate, said duct being oblong in section with its long axis lying in the midplane passing through the ridge of the support enabling the support to move radially against the plate inside the tubular vessel, with said bolt preventing it from moving axially relative to the plate.

10 6. A housing according to any one of claims 3, 4 or 5, wherein two receptacles are mounted, side by side, between two aligned hinge members belonging each to a different support, said two receptacles being respectively retained at one of their two longitudinal edges between said two hinge members of the supports which carry them and each receptacle being capable of rotating from a folded-down position where it bears against one of the outside walls of the ridge of each of the two supports, which position is occupied inside the tubular vessel, and an open position which is accessible outside the tubular vessel and which gives access to the cavity receiving an electrical circuit, with the bottom of the cavity being adjacent to the wall of said receptacle which bears against the inside wall of the tubular vessel.



20

7. A housing according to claim 6, wherein the assembly constituted by the receptacles mounted on their supports themselves fixed on two plates is held together by means of spacers fixed between the plates and on the sides thereof opposite to the sides fixed to the supports, thereby enabling said assembly to be inserted as a unit into the tubular vessel and allowing the annular springs to be subsequently inserted, one of said springs via one end of the tubular vessel and the other of said springs via the other end of the tubular vessel, to engage a corresponding plate and to be disposed between the supports carried by said plate.



30

8. A housing according to any one of claims 6 and 7, wherein at



least one receptacle includes a circuit card hinged along one edge to one of the edges of said receptacle adjacent to its cavity, said circuit card at least partially covering the cavity when in a folded-down first position, and giving access
5 to said cavity and to its own corresponding face when in an open, second position.

9/ A housing according to any one of claims 1 to 8, wherein each receptacle includes a plane bearing face for pressing
10 against a corresponding plane facette of the inside of the tubular vessel via a cushion.

10/ A housing according to any one of claims 1 to 8, wherein each receptacle has a curved bearing face for pressing
15 accurately against a curved inside wall portion of circular section in the tubular vessel via a cushion.

11/ A housing for submersible equipment substantially as herein described with reference to and as illustrated in the
20 accompanying drawings.

DATED: 18 April, 1989

PHILLIPS ORMONDE & FITZPATRICK
Attorneys for:
25 ALCATEL CIT

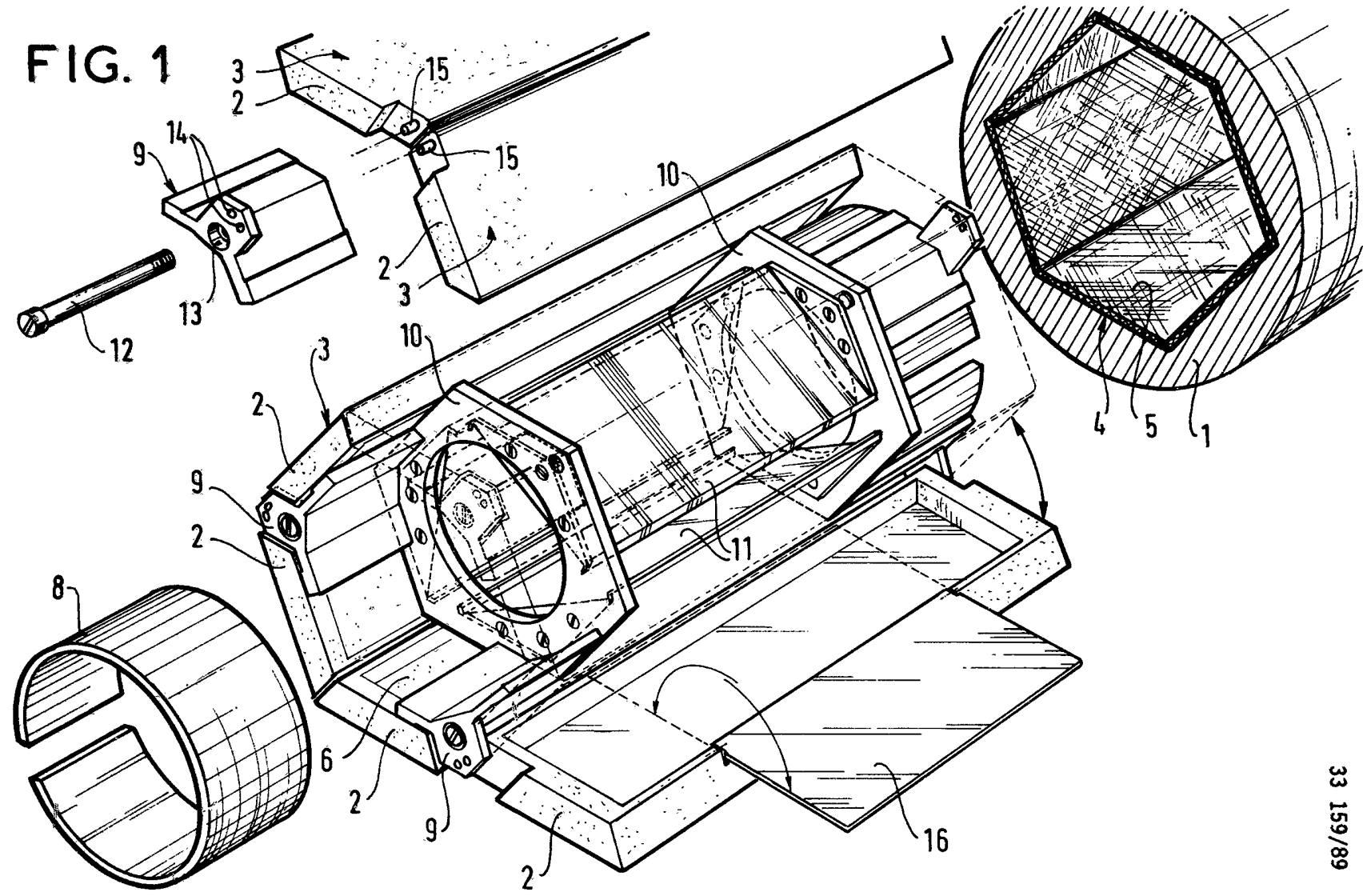
David B. Fitzpatrick

30

35

33 159 89

FIG. 1



33 159/89

33159/89

FIG. 2

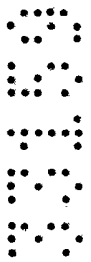
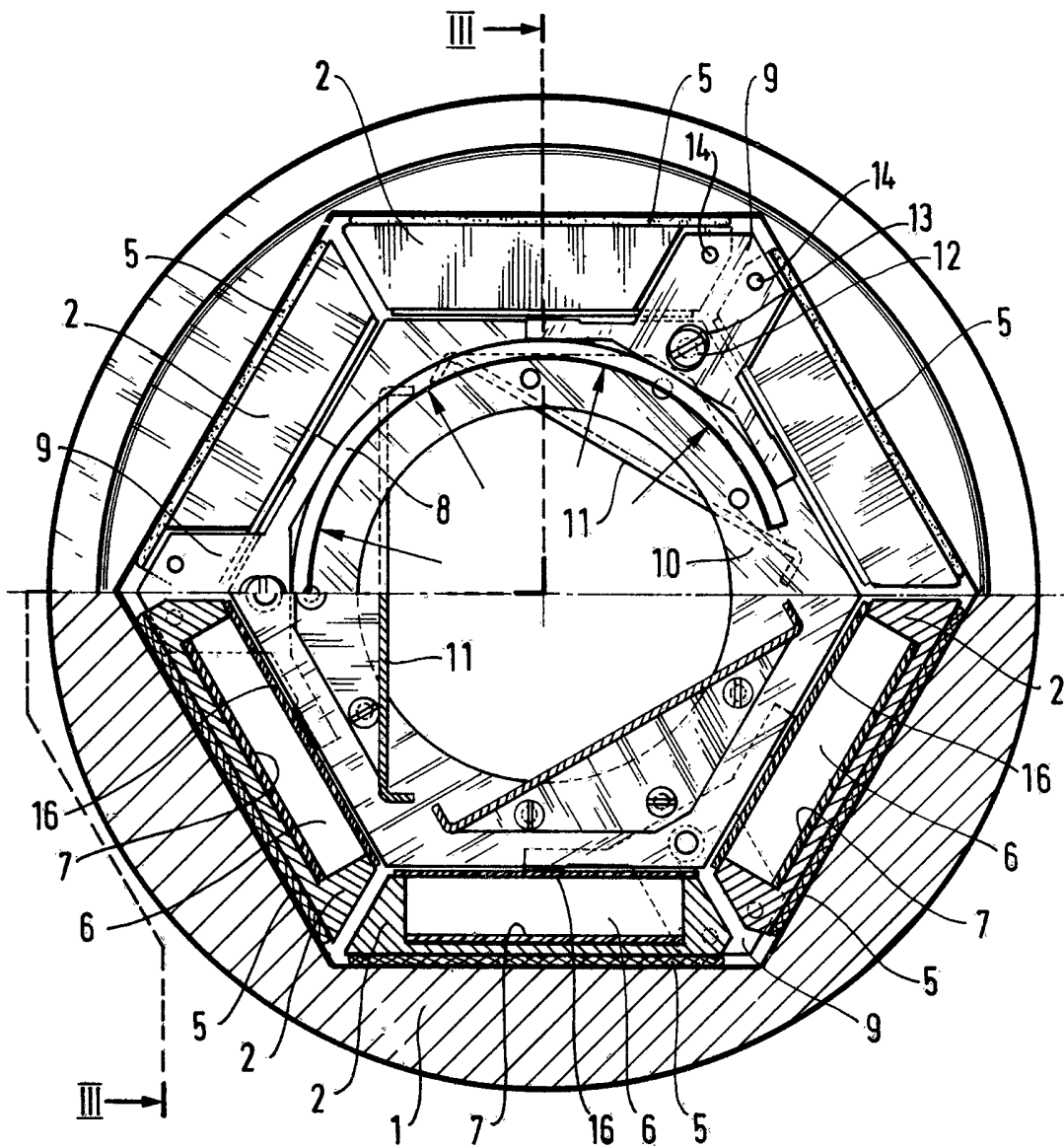
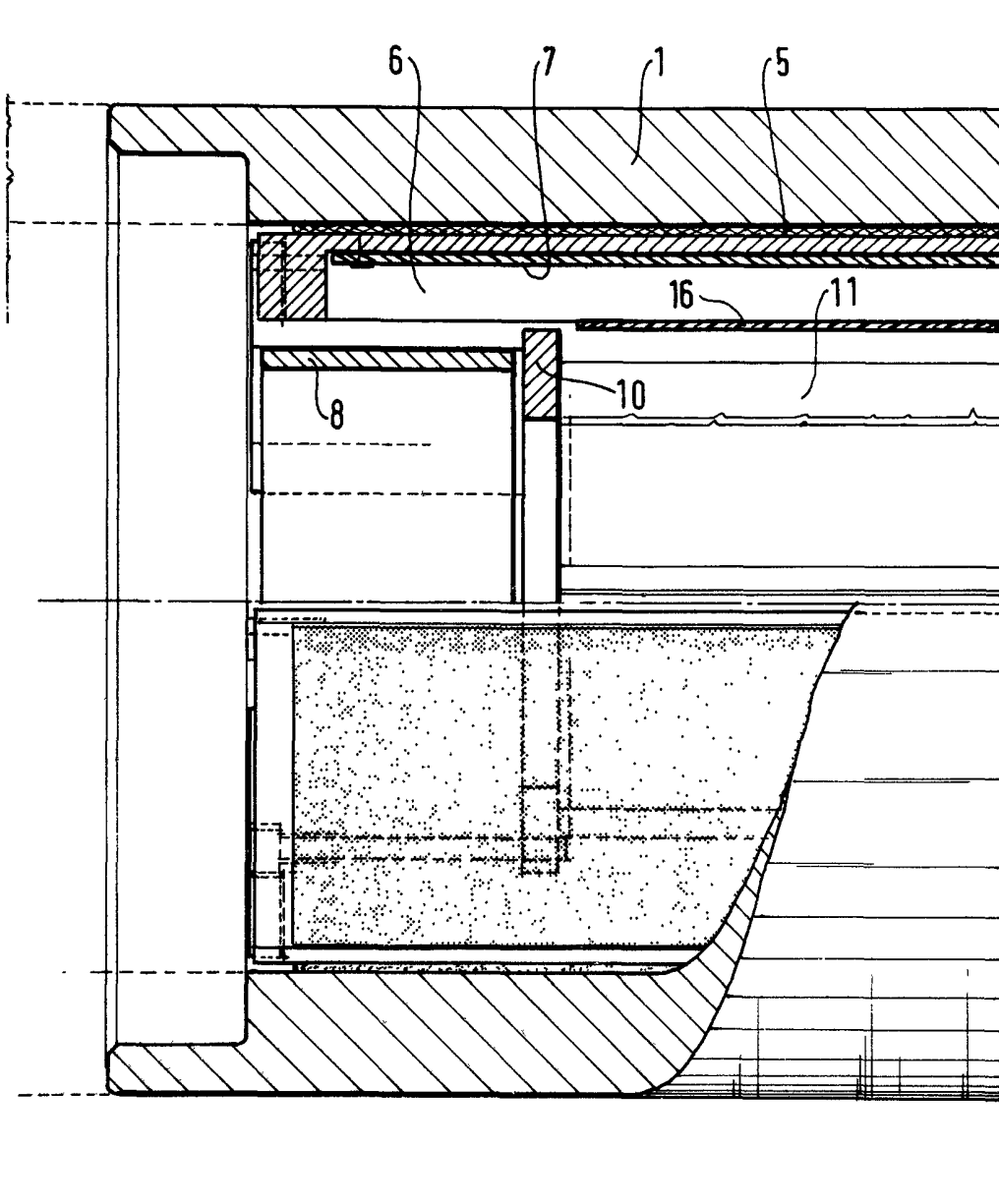
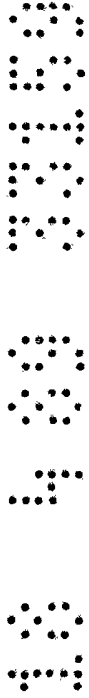
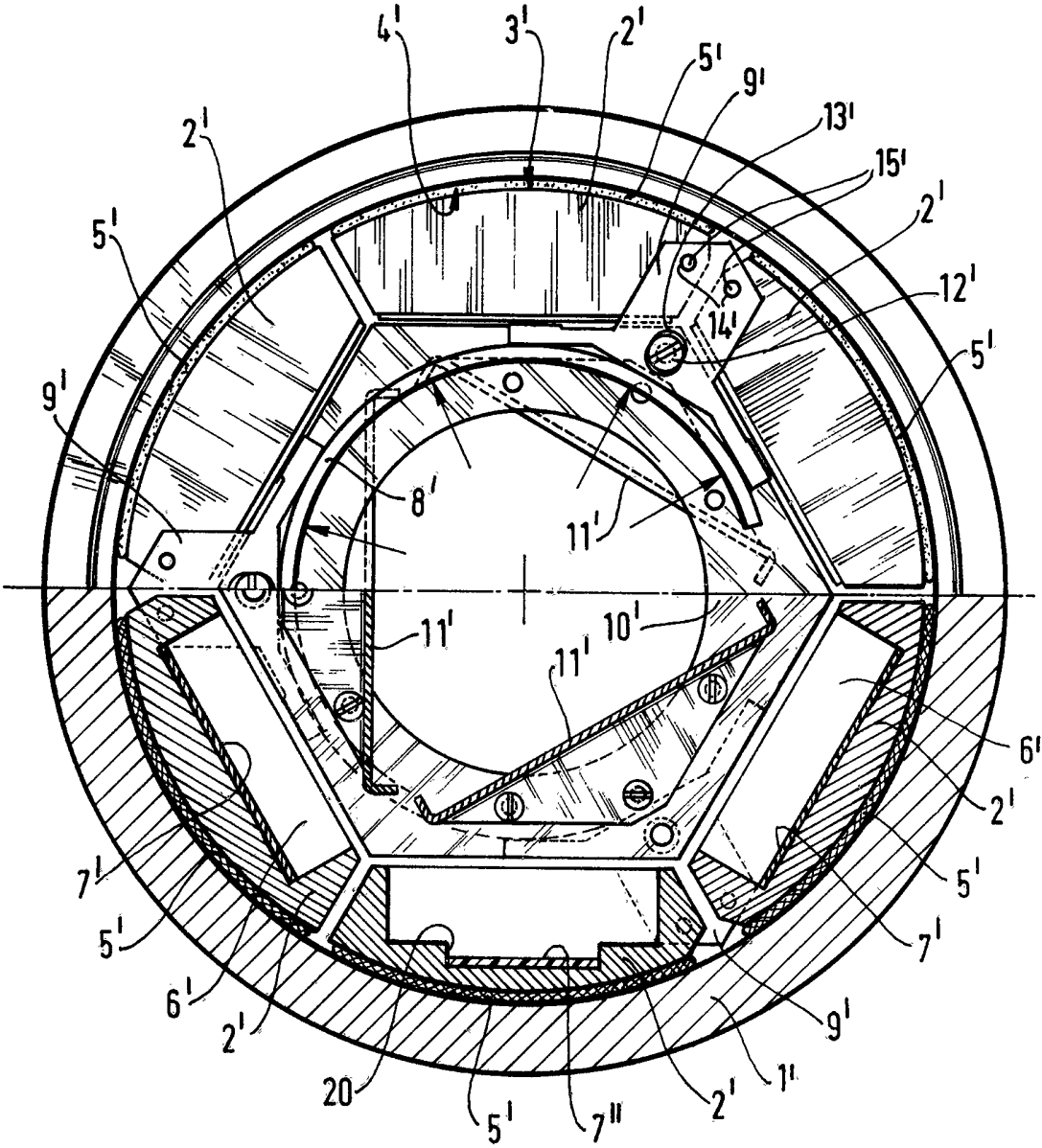


FIG. 3



20
21
22
23
24

FIG. 4



CONVENTION APPLICATION FOR A PATENT
In support of the Convention Application made for a
patent for an invention entitled:

Title of Invention ABSORBENT PRODUCTS CONTAINING HYDROGELS
WITH ABILITY TO SWELL AGAINST PRESSURE

Full name(s) and address(es) of Declarant(s) I/We Martin Herman Michael, Vice President and Chief Counsel
KIMBERLY-CLARK CORPORATION,
of having a place of business at
Neenah, Wisconsin, U.S.A.

do solemnly and sincerely declare as follows:-

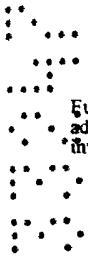
Full name(s) of Applicant(s) ~~I am/We are the applicant(s) for the patent~~
(or, in the case of an application by a body corporate)

1. I am/We are authorised by
KIMBERLY-CLARK CORPORATION
the applicant(s) for the patent to make this declaration on
its/~~their~~ behalf.
2. The basic application(s) as defined by Section 141 of the
Act ~~was/were~~ ^{were} made

Basic Country(ies) in the United States of America

Priority Date(s) on the 21st day of April, 1988 and on 10 April, 1989

Basic Applicant(s) both by Stanley Roy Kellenberger

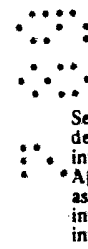


Full name(s) and address(es) of Inventor(s) ~~I am/We are the actual inventor(s) of the invention referred
to in the basic application(s)~~
(or where a person other than the inventor is the applicant)

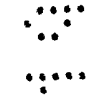
3. Stanley Roy Kellenberger
306 West Lindbergh Street
Appleton, Wisconsin 54911
of U.S.A.

(respectively)

is/~~are~~ the actual inventor(s) of the invention and the facts upon
which the applicant(s) is/~~are~~ entitled to make the application are
as follows: The said applicant is the assignee of the
actual inventor.



Set out how Applicant(s) derive title from actual inventor(s) e.g. The Applicant(s) is/~~are~~ the assignee(s) of the invention from the inventor(s)



4. The basic application(s) referred to in paragraph 2 of this Declaration ~~was/were~~ the first application(s) made in a Convention country in respect of the invention(s) the subject of the application.

Declared at Neenah, this 11th day of July 1989
Wisconsin,
U.S.A. KIMBERLY-CLARK CORPORATION

By: *Martin Herman Michael*
Signature of Declarant(s)
Martin Herman Michael
Vice President and Chief Counsel

SFP4

To: The Commissioner of Patents

1 OF 1