

(19) World Intellectual Property Organization  
International Bureau



(43) International Publication Date  
12 February 2004 (12.02.2004)

PCT

(10) International Publication Number  
WO 2004/012646 A3

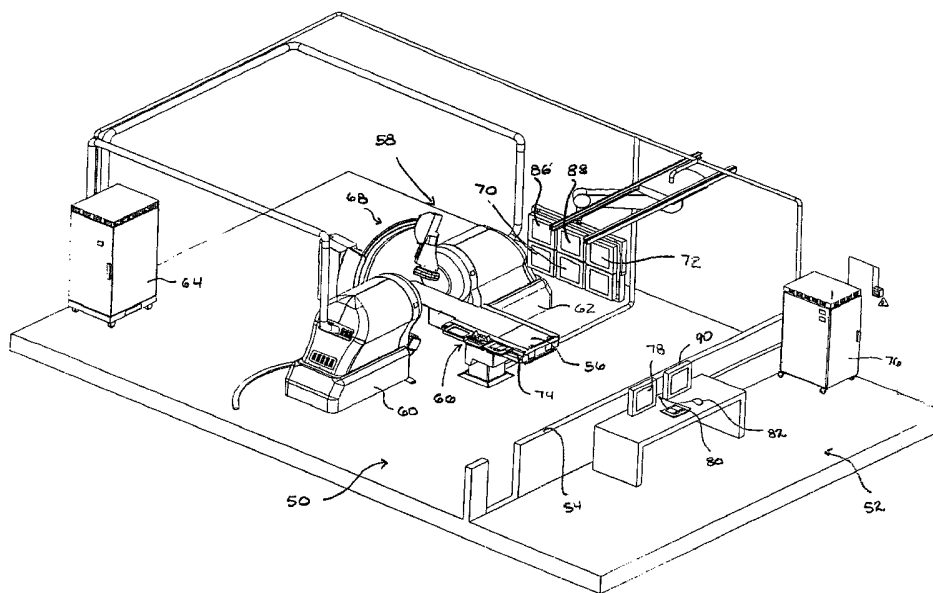
- (51) International Patent Classification<sup>7</sup>: **A61B 5/05**
- (21) International Application Number: PCT/US2003/024437
- (22) International Filing Date: 1 August 2003 (01.08.2003)
- (25) Filing Language: English
- (26) Publication Language: English
- (30) Priority Data:
  - 60/401,670 6 August 2002 (06.08.2002) US
  - 60/417,386 9 October 2002 (09.10.2002) US
  - 10/448,273 29 May 2003 (29.05.2003) US
- (71) Applicant (for all designated States except US): **STEREOTAXIS, INC.** [US/US]; A corporation of the state of Delaware, 4041 Forest Park Avenue, St. Louis, MO 63108 (US).
- (72) Inventor; and
- (75) Inventor/Applicant (for US only): **VISWANATHAN, Raju, R.** [IN/US]; 4041 Forest Park Avenue, St. Louis, MO 63108 (US).
- (74) Agents: **WHEELOCK, Bryan, K.** et al.; 7700 Bonhomme Avenue, Suite 400, St. Louis, MO 63105 (US).
- (81) Designated States (national): AE, AG, AL, AM, AT, AU, AZ, BA, BB, BG, BR, BY, BZ, CA, CH, CN, CO, CR, CU, CZ, DE, DK, DM, DZ, EC, EE, ES, FI, GB, GD, GE, GH, GM, HR, HU, ID, IL, IN, IS, JP, KE, KG, KP, KR, KZ, LC, LK, LR, LS, LT, LU, LV, MA, MD, MG, MK, MN, MW, MX, MZ, NI, NO, NZ, OM, PG, PH, PL, PT, RO, RU, SC, SD, SE, SG, SK, SL, SY, TJ, TM, TN, TR, TT, TZ, UA, UG, US, UZ, VC, VN, YU, ZA, ZM, ZW.
- (84) Designated States (regional): ARIPO patent (GH, GM, KE, LS, MW, MZ, SD, SL, SZ, TZ, UG, ZM, ZW), Eurasian patent (AM, AZ, BY, KG, KZ, MD, RU, TJ, TM), European patent (AT, BE, BG, CH, CY, CZ, DE, DK, EE, ES, FI, FR, GB, GR, HU, IE, IT, LU, MC, NL, PT, RO, SE, SI, SK, TR), OAPI patent (BF, BJ, CF, CG, CI, CM, GA, GN, GQ, GW, ML, MR, NE, SN, TD, TG).

**Published:**

- with international search report
- before the expiration of the time limit for amending the claims and to be republished in the event of receipt of amendments

[Continued on next page]

(54) Title: VIRTUAL DEVICE INTERFACE CONTROL FOR MEDICAL DEVICES



(57) Abstract: An interface system and method for controlling a magnetic surgery system by displaying a virtual image of the device, adjusting the configuration of the device or the actuation controls to be applied to the device until the configuration of the displayed device assumes the configuration desired by the user, or selecting a desired target location for the tip, and causing a set of actuation controls to be applied to the actual device to cause the actual device to assume the configuration of the virtual device or to steer the device tip to the desired location.

WO 2004/012646 A3



---

**(88) Date of publication of the international search report:**  
14 July 2005

*For two-letter codes and other abbreviations, refer to the "Guidance Notes on Codes and Abbreviations" appearing at the beginning of each regular issue of the PCT Gazette.*

# INTERNATIONAL SEARCH REPORT

International application No.

PCT/US03/24437

**A. CLASSIFICATION OF SUBJECT MATTER**

IPC(7) : A 61 B 5/05  
 US CL : 600/416

According to International Patent Classification (IPC) or to both national classification and IPC

**B. FIELDS SEARCHED**

Minimum documentation searched (classification system followed by classification symbols)  
 U.S. : 600/416, 407,417,424,429; 382/128

Documentation searched other than minimum documentation to the extent that such documents are included in the fields searched

Electronic data base consulted during the international search (name of data base and, where practicable, search terms used)

**C. DOCUMENTS CONSIDERED TO BE RELEVANT**

Category *	Citation of document, with indication, where appropriate, of the relevant passages	Relevant to claim No.
X	US 5,622,170 A (SCHULZ) 22 April 1997, (22.04.1997) column 1, lines 16-40; column 3, line 52 - column 4, line 49; column 5, line 33 - column 15, line 8	1-55, 58-61
X	US 5,765,561 A (CHEN et al) 16 June 1998 (16.06.1998) entire document	1-55, 58-61
X	US 6,151,404 A (PIEPER) 21 November 2000 (21.11.2000) entire document	1-55, 58-61
X	US 5,855,553 A (TAJIMA et al) 05 January 1999 (05.01.1999) entire document	1-55, 58-61
A	US 5,339,812 A (HARDY et al) 23 August 1994 (23.08.1994) entire document	1-61
A	US 6,415,171 B1 (GUEZIEC et al) 02 July 2002 (02.07.2002), entire document	1-61

Further documents are listed in the continuation of Box C.  See patent family annex.

* Special categories of cited documents:	"T"	later document published after the international filing date or priority date and not in conflict with the application but cited to understand the principle or theory underlying the invention
"A" document defining the general state of the art which is not considered to be of particular relevance	"X"	document of particular relevance; the claimed invention cannot be considered novel or cannot be considered to involve an inventive step when the document is taken alone
"E" earlier application or patent published on or after the international filing date	"Y"	document of particular relevance; the claimed invention cannot be considered to involve an inventive step when the document is combined with one or more other such documents, such combination being obvious to a person skilled in the art
"L" document which may throw doubts on priority claim(s) or which is cited to establish the publication date of another citation or other special reason (as specified)	"&"	document member of the same patent family
"O" document referring to an oral disclosure, use, exhibition or other means		
"P" document published prior to the international filing date but later than the priority date claimed		

Date of the actual completion of the international search 10 June 2004 (10.06.2004)	Date of mailing of the international search report <b>26 MAY 2005</b>
--	--

Name and mailing address of the ISA/US Mail Stop PCT, Attn: ISA/US Commissioner for Patents P.O. Box 1450 Alexandria, Virginia 22313-1450 Facsimile No. (703)305-3230	Authorized officer, Angela Sykes <i>Sharon A. Greene for</i> Telephone No. 703-308-5181
--	---