

[54] CASSETTE FOR CONTROLLING THE FLOW OF INTRAVENOUS FLUID TO A PATIENT

D. 269,545 6/1983 Cannon D24/8
4,300,552 11/1981 Cannon D24/8 X

[75] Inventor: Raymond E. Cannon, San Diego, Calif.

Primary Examiner—Bernard Ansher
Attorney, Agent, or Firm—Ellsworth R. Roston; Charles H. Schwartz

[73] Assignee: Imed Corporation, San Diego, Calif.

[**] Term: 14 Years

[57] CLAIM

[21] Appl. No.: 321,183

The ornamental design for a cassette for controlling the flow of intravenous fluid to a patient substantially as shown and described.

[22] Filed: Nov. 16, 1981

[52] U.S. Cl. D24/8; D24/99; D24/21

[58] Field of Search D24/99, 8, 51, 21; 604/65, 246, 250; 251/4; 138/43, 45; 417/477

DESCRIPTION

FIG. 1 is a perspective view, as seen from a position above and in front of the cassette, of a cassette for use in controlling the introduction of intravenous fluid to a patient;

FIG. 2 is a front elevational view of the cassette;

FIG. 3 is a side elevational view of the cassette;

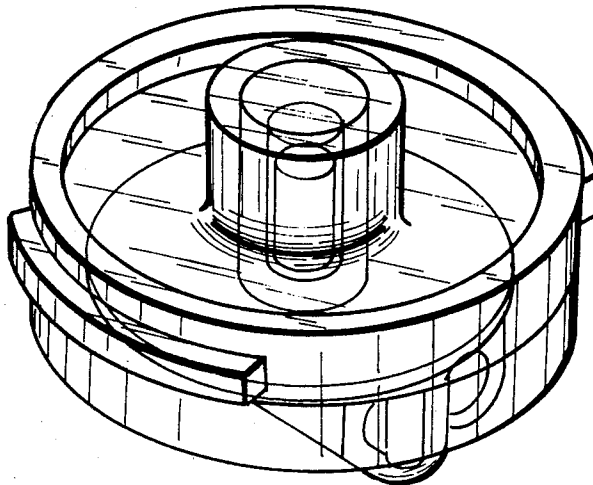
and

FIG. 4 is a bottom plan view of the cassette.

[56] References Cited

U.S. PATENT DOCUMENTS

- D. 263,078 2/1982 Eddleman et al. D23/4 X
- D. 264,134 4/1982 Xanthopoulos D24/8 X



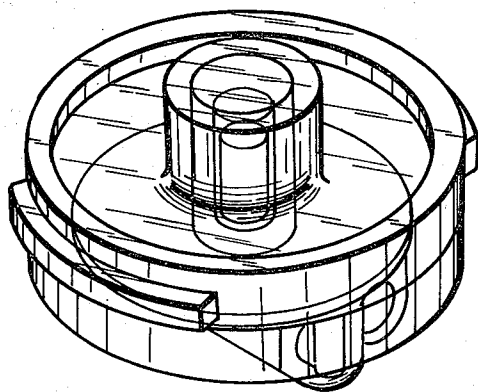


Fig. 1

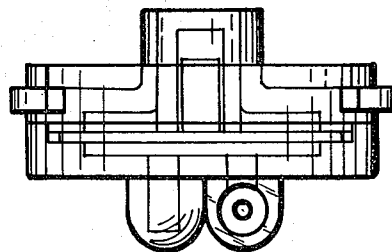


Fig. 2

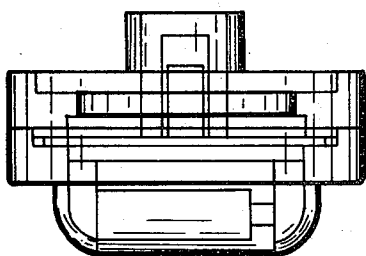


Fig. 3

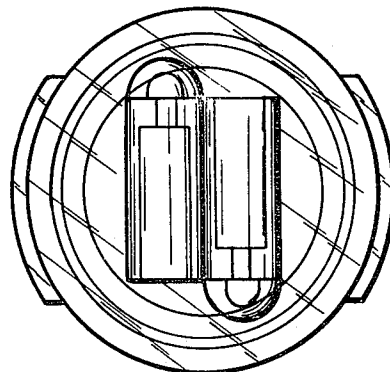


Fig. 4