



US00D394728S

**United States Patent** [19]  
**Alexander**

[11] **Patent Number:** **Des. 394,728**  
[45] **Date of Patent:** **\*\*May 26, 1998**

[54] **CURVED LAMP SHADE WITH STICKS**

[76] **Inventor:** **Elizabeth C. Alexander**, 2111 NE,  
52nd St., Seattle, Wash. 98105

[\*\*] **Term:** **14 Years**

[21] **Appl. No.:** **51,500**

[22] **Filed:** **Mar. 12, 1996**

[51] **LOC (6) Cl.** ..... **26-05**

[52] **U.S. Cl.** ..... **D26/118; D26/109**

[58] **Field of Search** ..... **D26/92. 102-112.**  
D26/118, 128, 129, 130, 131, 132, 134,  
136; 362/410-414, 351, 352, 353, 355,  
341, 342, 345, 347, 348, 350; 40/586, 606,  
610; D20/41

[56] **References Cited**

**U.S. PATENT DOCUMENTS**

- D. 126,402 4/1941 May ..... D26/109
- D. 166,177 3/1952 De Sherbinin ..... D26/108

2,293,672	8/1942	Bookman, Jr. ....	362/355
2,700,100	1/1955	Wissinger .....	362/347 X
2,765,399	10/1956	Drosakis .....	362/347 X
3,116,027	12/1963	Kleppin .....	362/410

*Primary Examiner*—Susan J. Lucas

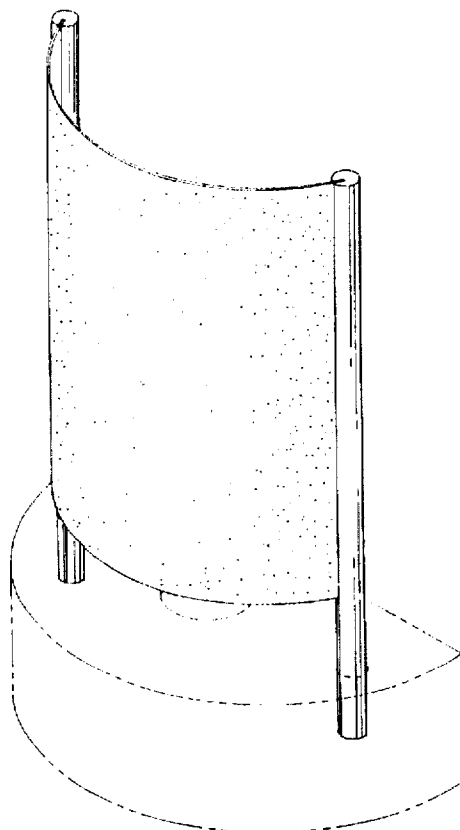
[57] **CLAIM**

An ornamental design for a curved lamp shade with sticks, as shown and described.

**DESCRIPTION**

FIG. 1 is a perspective view showing my curved lamp shade with sticks;  
 FIG. 2 is a left side view thereof;  
 FIG. 3 is a right side view thereof;  
 FIG. 4 is a front view thereof;  
 FIG. 5 is a back view thereof;  
 FIG. 6 is a top view thereof; and  
 FIG. 7 is a bottom view thereof.  
 The broken lines are shown for illustrative purposes only and form no part of the claimed design.

**1 Claim, 2 Drawing Sheets**



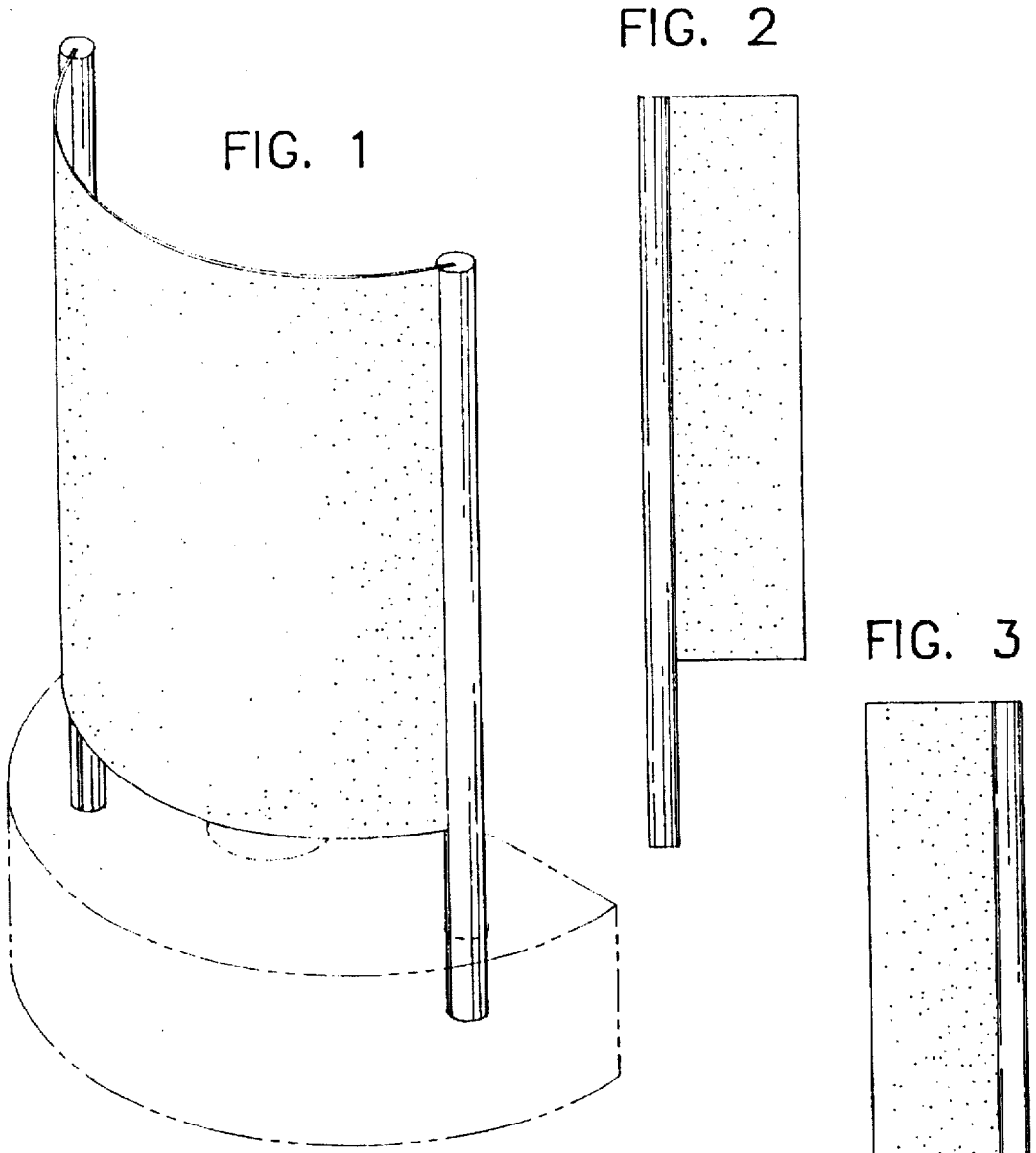


FIG. 6



FIG. 7



FIG. 4

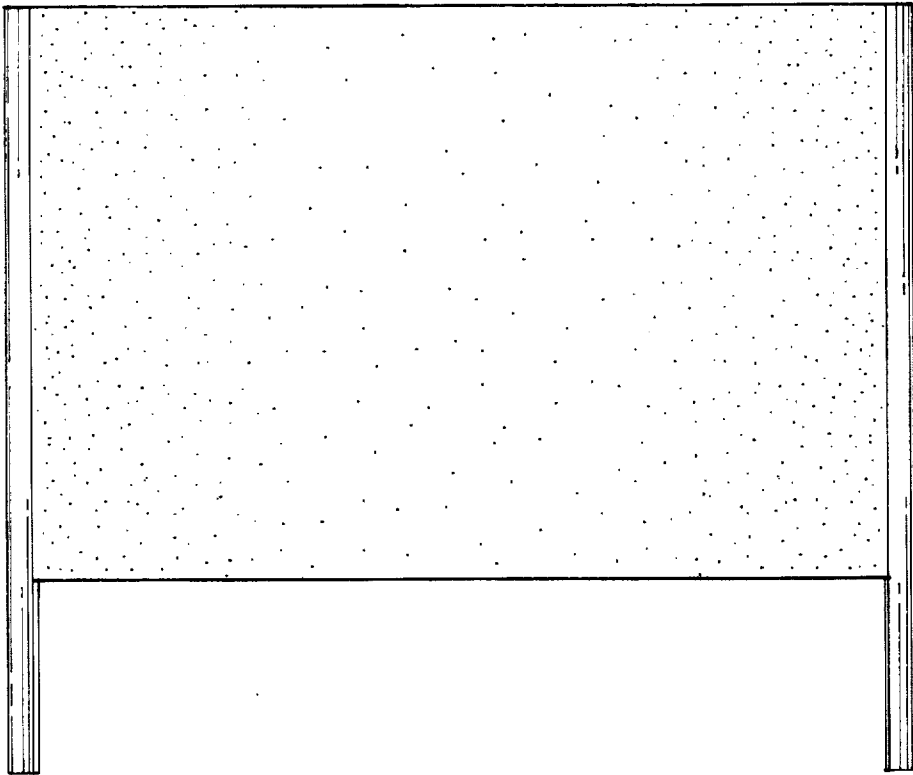


FIG. 5

