

(19) World Intellectual Property Organization
International Bureau



(43) International Publication Date
3 February 2005 (03.02.2005)

PCT

(10) International Publication Number
WO 2005/010940 A3

(51) International Patent Classification⁷: G03B 27/58,
27/42, H02K 41/00

[FR/FR]; 78 Ruelle St Benoit, F-45200 Amilly (FR).
DURAND, Eric [FR/FR]; 23 Rue Jules Raimu, F-42500
Amilly (FR). DESAILLY, Roger [FR/FR]; 85 Route de la
Chenetiere, F-45530 Vitry aux Loges (FR).

(21) International Application Number:
PCT/US2004/022682

(74) Agent: PREISS, Richard B.; Stoel Rives LLP, 900 SW
Fifth Avenue, Suite 2600, Portland, Oregon 97204-1268
(US).

(22) International Filing Date: 14 July 2004 (14.07.2004)

(25) Filing Language: English

(81) Designated States (unless otherwise indicated, for every
kind of national protection available): AE, AG, AL, AM,
AT, AU, AZ, BA, BB, BG, BR, BW, BY, BZ, CA, CH, CN,
CO, CR, CU, CZ, DE, DK, DM, DZ, EC, EE, EG, ES, FI,
GB, GD, GE, GH, GM, HR, HU, ID, IL, IN, IS, JP, KE,
KG, KP, KR, KZ, LC, LK, LR, LS, LT, LU, LV, MA, MD,
MG, MK, MN, MW, MX, MZ, NA, NI, NO, NZ, OM, PG,
PH, PL, PT, RO, RU, SC, SD, SE, SG, SK, SL, SY, TJ, TM,
TN, TR, TT, TZ, UA, UG, US, UZ, VC, VN, YU, ZA, ZM,
ZW.

(26) Publication Language: English

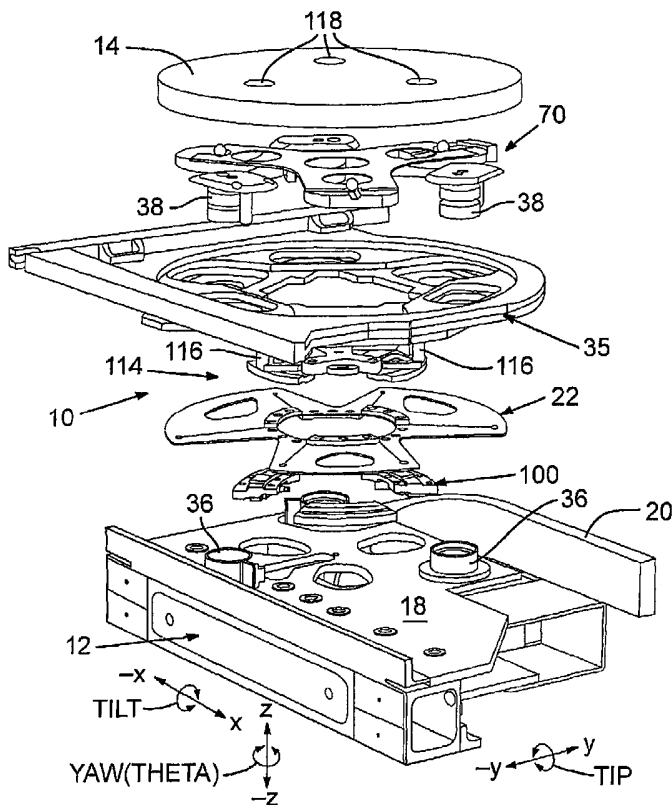
(30) Priority Data:
60/488,141 17 July 2003 (17.07.2003) US

(71) Applicant (for all designated States except US): NEW-
PORT CORPORATION [US/US]; 1791 Deere Avenue,
Irvine, California 92606 (US).

(72) Inventors; and
(75) Inventors/Applicants (for US only): JEANNE, Alain

(84) Designated States (unless otherwise indicated, for every
kind of regional protection available): ARIPO (BW, GH,
[Continued on next page]

(54) Title: HIGH RESOLUTION, DYNAMIC POSITIONING MECHANISM FOR SPECIMEN INSPECTION AND PROCESS-
ING



(57) Abstract: A specimen positioning mechanism (10) includes a movable stage (12) movable along multiple axes, a plate (35) connected to and supporting a specimen mounting chuck (14), multiple linear displacement mechanisms (36, 38) coupling the plate to the movable stage and mutually spaced apart at different locations between the movable stage and the plate and separately controllable to change distances between the movable stage and the plate, and a flexible member (22) coupling the movable stage and the plate. The flexible member is motion compliant in three axes of motion. The flexible member in response to linear displacements of the linear displacement mechanisms allows linear and rotational movement of the specimen mounting chuck in the three axes of motion compliance.

WO 2005/010940 A3



GM, KE, LS, MW, MZ, NA, SD, SL, SZ, TZ, UG, ZM, ZW), Eurasian (AM, AZ, BY, KG, KZ, MD, RU, TJ, TM), European (AT, BE, BG, CH, CY, CZ, DE, DK, EE, ES, FI, FR, GB, GR, HU, IE, IT, LU, MC, NL, PL, PT, RO, SE, SI, SK, TR), OAPI (BF, BJ, CF, CG, CI, CM, GA, GN, GQ, GW, ML, MR, NE, SN, TD, TG).

— *before the expiration of the time limit for amending the claims and to be republished in the event of receipt of amendments*

(88) Date of publication of the international search report:
12 May 2005

Published:


— *with international search report*

For two-letter codes and other abbreviations, refer to the "Guidance Notes on Codes and Abbreviations" appearing at the beginning of each regular issue of the PCT Gazette.

INTERNATIONAL SEARCH REPORT

International application No.

PCT/US04/22682

| | | |
|--|--|-----------------------|
| A. CLASSIFICATION OF SUBJECT MATTER IPC(7) : G03B 27/58, 27/42; H02K 41/00 US CL : 355/72, 53; 318/153, 12 According to International Patent Classification (IPC) or to both national classification and IPC | | |
| B. FIELDS SEARCHED Minimum documentation searched (classification system followed by classification symbols) U.S. : 355/72, 53; 318/153, 12 Documentation searched other than minimum documentation to the extent that such documents are included in the fields searched NONE Electronic data base consulted during the international search (name of data base and, where practicable, search terms used) NONE | | |
| C. DOCUMENTS CONSIDERED TO BE RELEVANT | | |
| Category * | Citation of document, with indication, where appropriate, of the relevant passages | Relevant to claim No. |
| A,P | US 2004/0080730 A1 (BINNARD) 29 April 2004 (29.04.2004), see entire document. | 1-32 |
| A | US 5,204,712 A (BOUWER et al) 20 April 1993 (20.04.1993), see entire document. | 1-32 |
| <input type="checkbox"/> Further documents are listed in the continuation of Box C. <input type="checkbox"/> See patent family annex. | | |
| * Special categories of cited documents: | | |
| "A" document defining the general state of the art which is not considered to be of particular relevance "E" earlier application or patent published on or after the international filing date "L" document which may throw doubts on priority claim(s) or which is cited to establish the publication date of another citation or other special reason (as specified) "O" document referring to an oral disclosure, use, exhibition or other means "P" document published prior to the international filing date but later than the priority date claimed | "T" later document published after the international filing date or priority date and not in conflict with the application but cited to understand the principle or theory underlying the invention "X" document of particular relevance; the claimed invention cannot be considered novel or cannot be considered to involve an inventive step when the document is taken alone "Y" document of particular relevance; the claimed invention cannot be considered to involve an inventive step when the document is combined with one or more other such documents, such combination being obvious to a person skilled in the art "&" document member of the same patent family | |
| Date of the actual completion of the international search 25 February 2005 (25.02.2005) | Date of mailing of the international search report <div style="text-align: center; font-size: 1.2em; font-weight: bold;">18 MAR 2005</div> | |
| Name and mailing address of the ISA/US Mail Stop PCT, Attn: ISA/US Commissioner for Patents P.O. Box 1450 Alexandria, Virginia 22313-1450 Facsimile No. (703) 305-3230 | Authorized officer JOSE G. DEES Telephone No. (571) 272-1607 <div style="text-align: right; margin-top: 10px;"></div> | |