



US0D1033554S

(12) **United States Design Patent**
Burns

(10) **Patent No.:** **US D1,033,554 S**

(45) **Date of Patent:** **** *Jul. 2, 2024**

(54) **BALLOON WEIGHT WITH RIBBON AND ADHESIVE TAB**

D414,222 S * 9/1999 Kieves D21/453
6,716,083 B1 * 4/2004 Castro A63H 27/10
242/405

(71) Applicant: **PROGRESSIVE BALLOONS, INC.,**
St. Peters, MO (US)

D542,360 S * 5/2007 Murray D21/453
7,674,152 B2 * 3/2010 Anderson A63H 27/10
446/224

(72) Inventor: **Judy K. Burns,** St. Peters, MO (US)

D634,793 S * 3/2011 Goodman-Pollack D21/453
D644,275 S * 8/2011 Nelson D21/453
D657,003 S * 4/2012 Goodman-Pollack D21/453

(73) Assignee: **Progressive Balloons, Inc.**

D697,983 S * 1/2014 Nelson D21/453
D925,433 S * 7/2021 Filo D12/320

(*) Notice: This patent is subject to a terminal disclaimer.

2005/0186882 A1 * 8/2005 Nelson A63H 27/10
446/220
2013/0244532 A1 * 9/2013 McNichols A63H 27/10
446/222

(**) Term: **15 Years**

* cited by examiner

(21) Appl. No.: **29/702,641**

Primary Examiner — Marissa J Cash

(22) Filed: **Aug. 21, 2019**

(74) Attorney, Agent, or Firm — Grace J. Fishel

(51) **LOC (14) Cl.** **21-01**

(52) **U.S. Cl.**
USPC **D21/453**

(58) **Field of Classification Search**
USPC D12/1, 2, 3, 4, 16.1, 319–345; D21/436,
D21/441–454, 439, 440; D30/121, 160;
D13/118

CPC . B64C 29/0008; B64C 2201/021; B64C 5/06;
B64C 30/00; B64C 2201/104; A63H
27/12; A63H 33/185; A63H 27/02; A63H
33/18; A63H 27/10

See application file for complete search history.

(57) **CLAIM**

The ornamental design for a balloon weight with ribbon and adhesive tab, as shown.

DESCRIPTION

FIG. 1 is back view of a balloon weight with ribbon and adhesive tab, showing my new design;
FIG. 2 is a right side view thereof;
FIG. 3 is a left side view thereof;
FIG. 4 is a top view thereof;
FIG. 5 is a bottom view thereof; and,
FIG. 6 is a front view thereof.

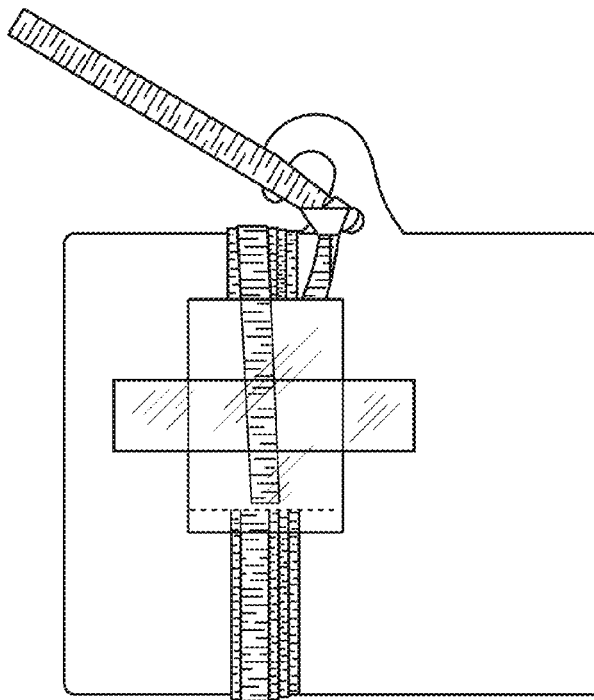
The broken line in FIG. 1 illustrates a singular linear element that forms no part of the claimed design.

(56) **References Cited**

U.S. PATENT DOCUMENTS

D362,032 S * 9/1995 Pomerantz D19/135
D401,255 S * 11/1998 Burns D21/453

1 Claim, 2 Drawing Sheets



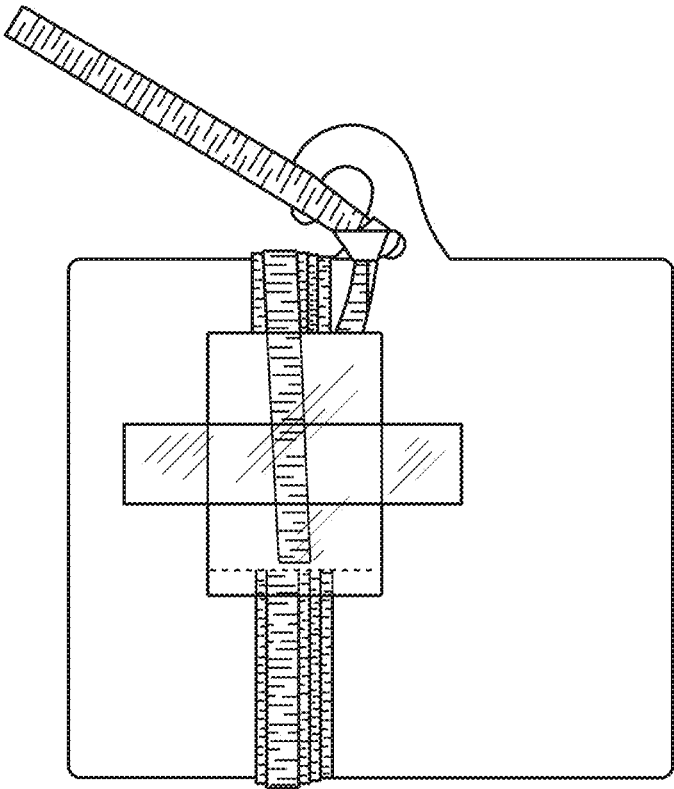


Fig. 1



Fig. 2



Fig. 3

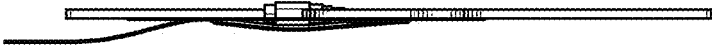


Fig. 4



Fig. 5

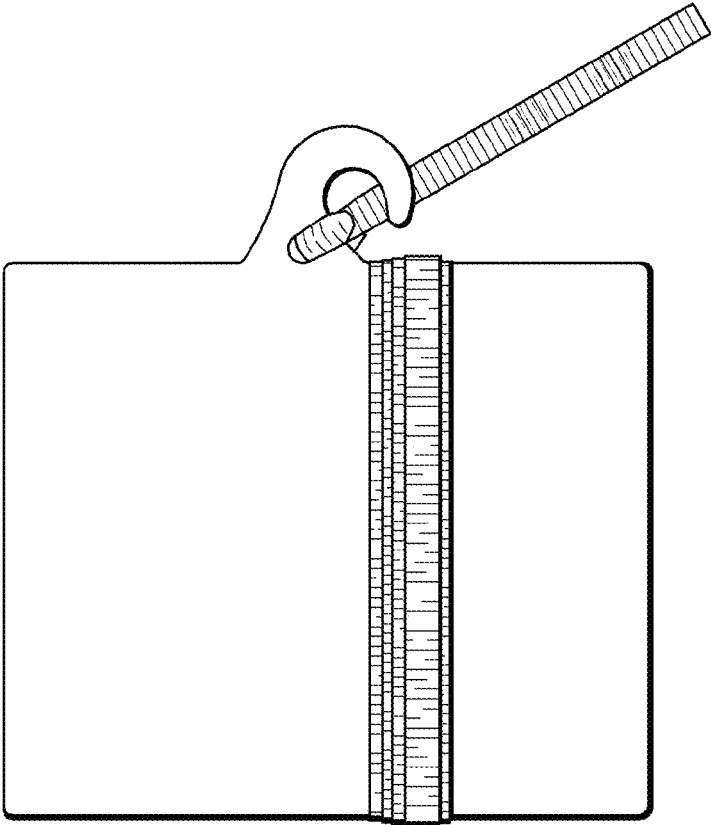


Fig. 6