



US00D855170S

(12) **United States Design Patent**  
**Hyon et al.**

(10) **Patent No.:** **US D855,170 S**

(45) **Date of Patent:** **\*\* Jul. 30, 2019**

(54) **AIR PURIFIER**

(56) **References Cited**

(71) Applicant: **LG ELECTRONICS INC.**, Seoul (KR)

U.S. PATENT DOCUMENTS

(72) Inventors: **Chinsoo Hyon**, Seoul (KR); **Seung-ho Baek**, Seoul (KR); **Yunseo Jang**, Seoul (KR); **Jaeyeong Jo**, Seoul (KR)

D425,609	S	*	5/2000	Hyon	.....	D23/359
D429,805	S	*	8/2000	Hyon	.....	D23/359
D462,754	S	*	9/2002	Briggs	.....	D23/364
D465,567	S	*	11/2002	Choi	.....	D23/364
D518,158	S	*	3/2006	Cho	.....	D23/364
D536,433	S	*	2/2007	Murai	.....	D23/364
D537,512	S	*	2/2007	Nakajima	.....	D23/359
D549,308	S	*	8/2007	Chiu	.....	D23/333
D550,343	S	*	9/2007	Chen	.....	D23/364
D557,783	S	*	12/2007	Yoo	.....	D23/359
D572,352	S	*	7/2008	Chiu	.....	D23/333
D575,857	S	*	8/2008	Chiu	.....	D23/333
D578,629	S	*	10/2008	Yoo	.....	D23/333
D578,632	S	*	10/2008	Chen	.....	D23/364
D586,451	S	*	2/2009	Murai	.....	D23/364
D587,794	S	*	3/2009	Yoo	.....	D23/359
D589,132	S	*	3/2009	Chiu	.....	D23/333
D604,401	S	*	11/2009	Chun	.....	D23/359
D605,272	S	*	12/2009	Chun	.....	D23/359
D605,745	S	*	12/2009	Chun	.....	D23/359
D617,437	S	*	6/2010	Matsuzaki	.....	D23/364

(73) Assignee: **LG ELECTRONICS INC.**, Seoul (KR)

(\*\*) Term: **15 Years**

(21) Appl. No.: **35/504,883**

(22) Filed: **Nov. 9, 2017**

(80) **Hague Agreement Data**

Int. Filing Date: **Nov. 9, 2017**  
Int. Reg. No.: **DM/098468**  
Int. Reg. Date: **Nov. 9, 2017**  
Int. Reg. Pub. Date: **May 11, 2018**

(30) **Foreign Application Priority Data**

May 10, 2017 (KR) ..... 30-2017-0020948

(51) **LOC (11) Cl.** ..... **23-04**

(52) **U.S. Cl.**  
USPC ..... **D23/364**  
CPC ..... **A61L 9/00** (2013.01)

(58) **Field of Classification Search**  
USPC ..... D23/209, 210, 355-365  
CPC ..... A61L 9/00; A61L 9/02; A61L 9/03; A61L 9/034; A61L 9/04; A61L 9/12; A61L 9/122; A61L 9/127; A61L 9/22; B01D 46/00; B01D 46/0002; B01D 46/20; F02M 35/04; F24F 13/20; A62B 21/00

See application file for complete search history.

(Continued)

*Primary Examiner* — Richard E Chilcot  
(74) *Attorney, Agent, or Firm* — Birch, Stewart, Kolasch & Birch, LLP

(57) **CLAIM**

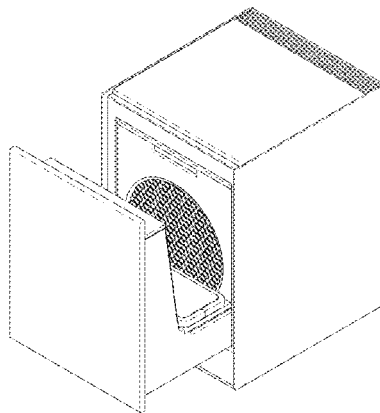
The ornamental design for an air purifier, as shown and described.

**DESCRIPTION**

1. Air purifier
- 1.1 : Perspective
- 1.2 : Front
- 1.3 : Back
- 1.4 : Left
- 1.5 : Right
- 1.6 : Top
- 1.7 : Bottom
- 1.8 : Reference
- 1.9 : Reference

The broken lines indicate unclaimed portions of the article that form no part of the claimed design.

**1 Claim, 9 Drawing Sheets**



(56)

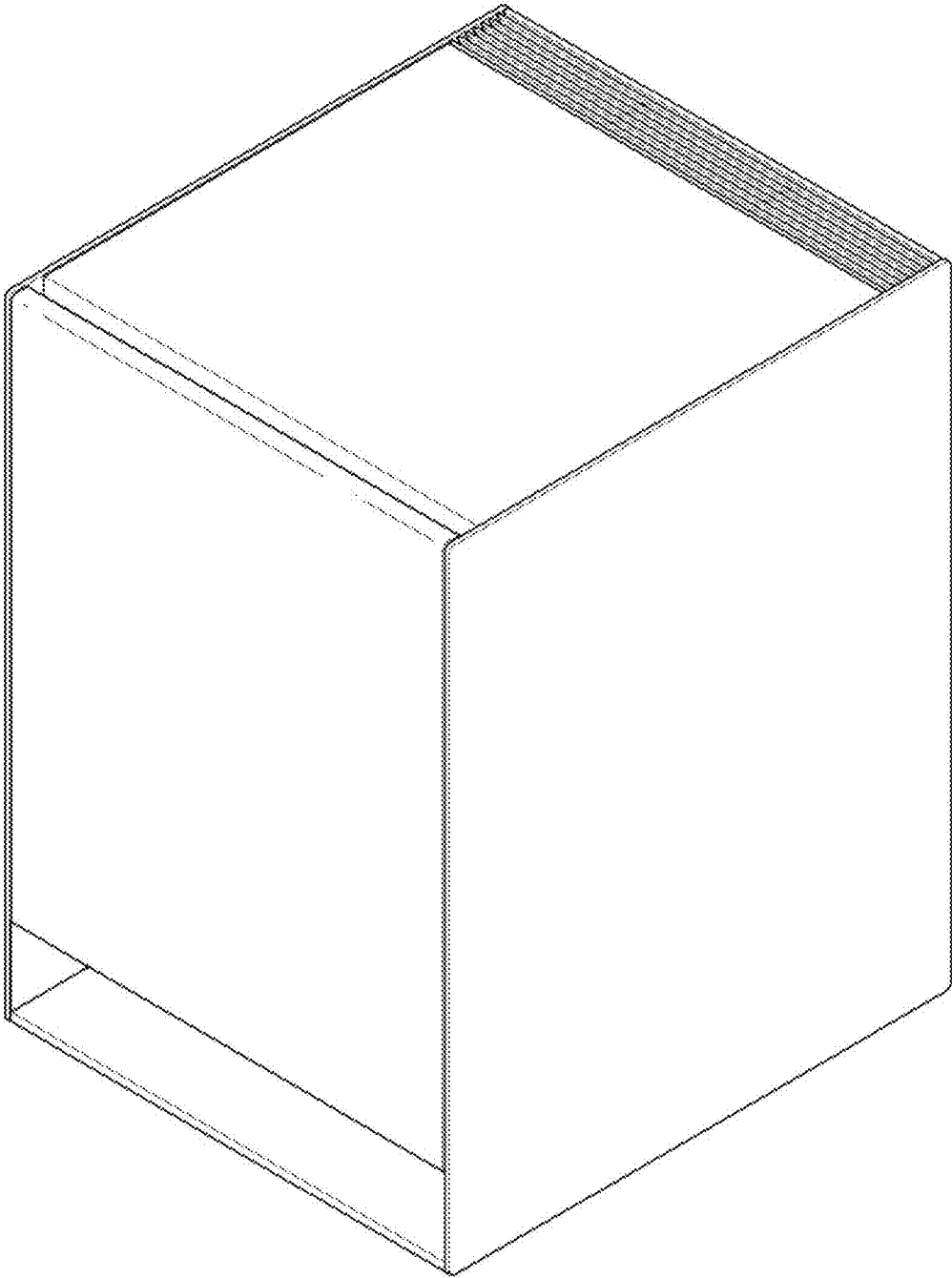
References Cited

U.S. PATENT DOCUMENTS

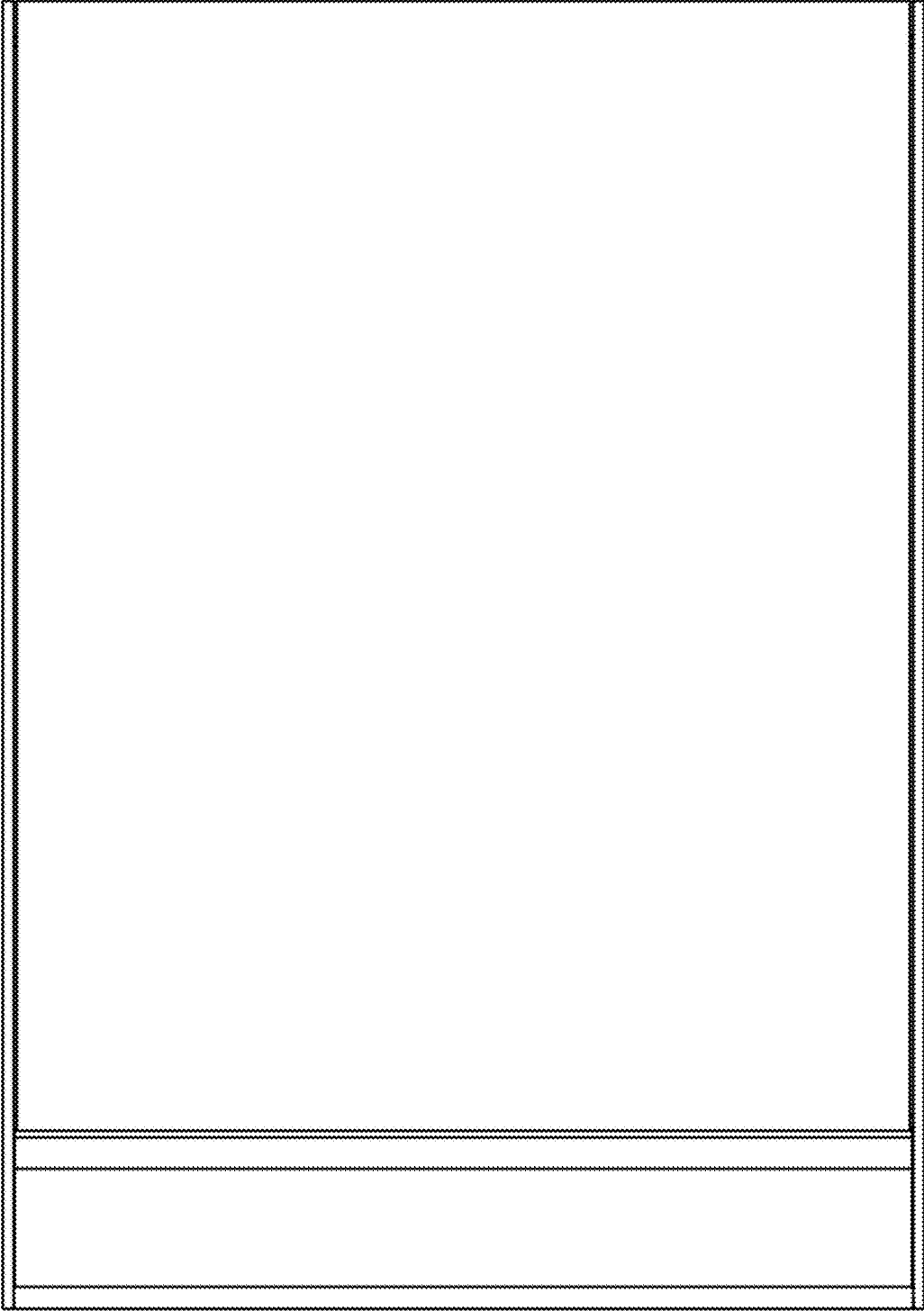
D635,655	S *	4/2011	Chen	.....	D23/364	D806,844	S *	1/2018	Kim	.....	D23/364
D656,597	S *	3/2012	Liu	.....	D23/356	D806,845	S *	1/2018	Kim	.....	D23/364
D662,576	S *	6/2012	Shore	.....	D23/364	D807,998	S *	1/2018	Kim	.....	D23/364
D664,247	S *	7/2012	Paterson	.....	D23/364	D809,113	S *	1/2018	Cho	.....	D23/364
D676,537	S *	2/2013	Yoo	.....	D23/359	D817,467	S *	5/2018	Shin	.....	D23/364
D683,439	S *	5/2013	Choi	.....	D23/364	D818,095	S *	5/2018	Cho	.....	D23/364
D708,728	S *	7/2014	Yoo	.....	D23/364	D818,096	S *	5/2018	Cho	.....	D23/364
D724,191	S *	3/2015	Yoo	.....	D23/355	D818,097	S *	5/2018	Cho	.....	D23/364
D725,253	S *	3/2015	Choi	.....	D23/359	D818,098	S *	5/2018	Cho	.....	D23/364
D737,944	S *	9/2015	Shore	.....	D23/364	D818,099	S *	5/2018	Cho	.....	D23/364
D744,077	S *	11/2015	Yasukochi	.....	D23/364	D818,100	S *	5/2018	Cho	.....	D23/364
D757,239	S *	5/2016	Kim	.....	D23/359	D820,422	S *	6/2018	Kim	.....	D23/364
D797,914	S *	9/2017	Nygren	.....	D23/364	D821,556	S *	6/2018	Shore	.....	D23/364
D803,369	S *	11/2017	Kim	.....	D23/364	D829,313	S *	9/2018	Cho	.....	D23/364
						D829,314	S *	9/2018	Cho	.....	D23/364
						D831,810	S *	10/2018	Cho	.....	D23/364
						D831,811	S *	10/2018	Cho	.....	D23/364

\* cited by examiner

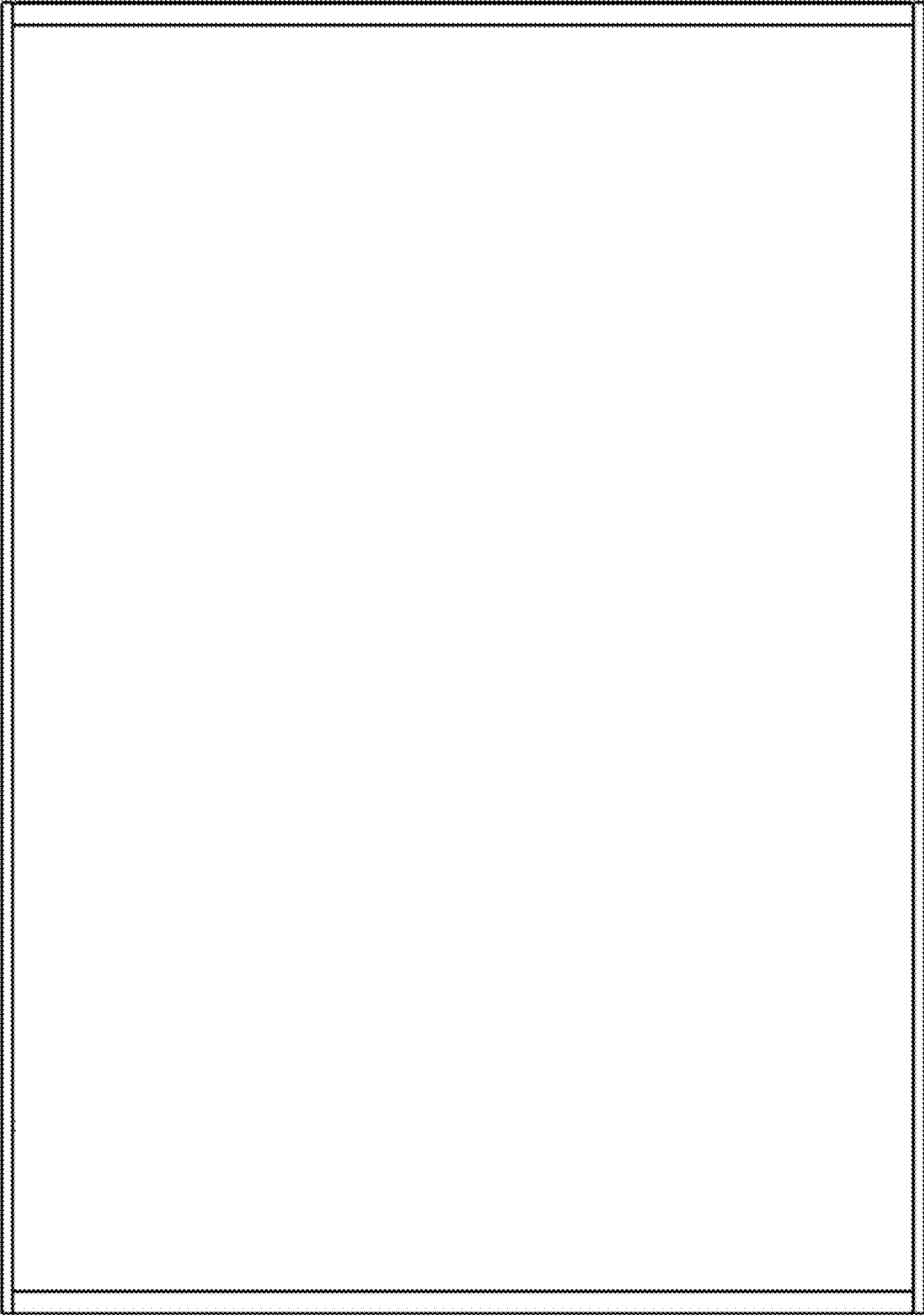
1.1



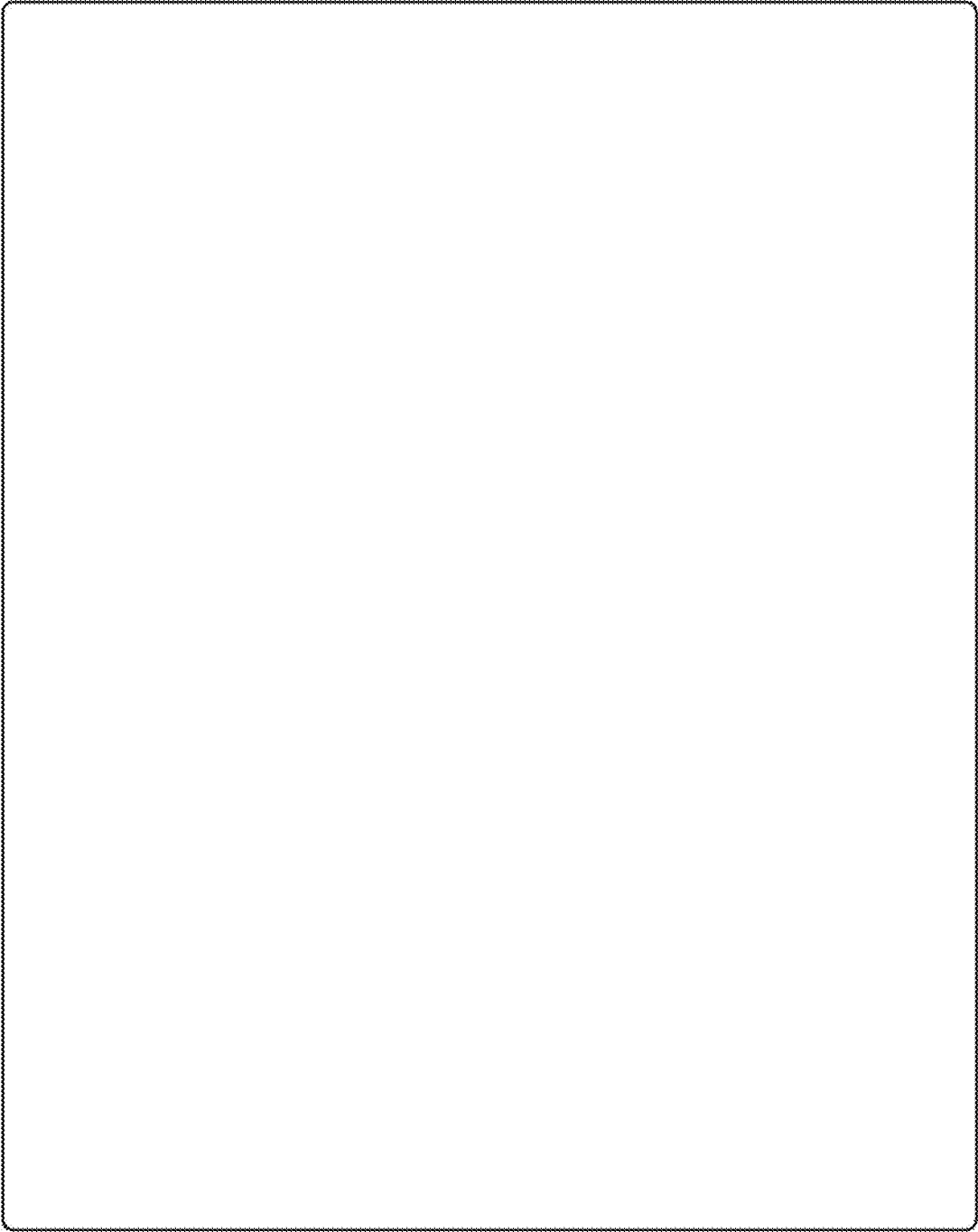
1.2



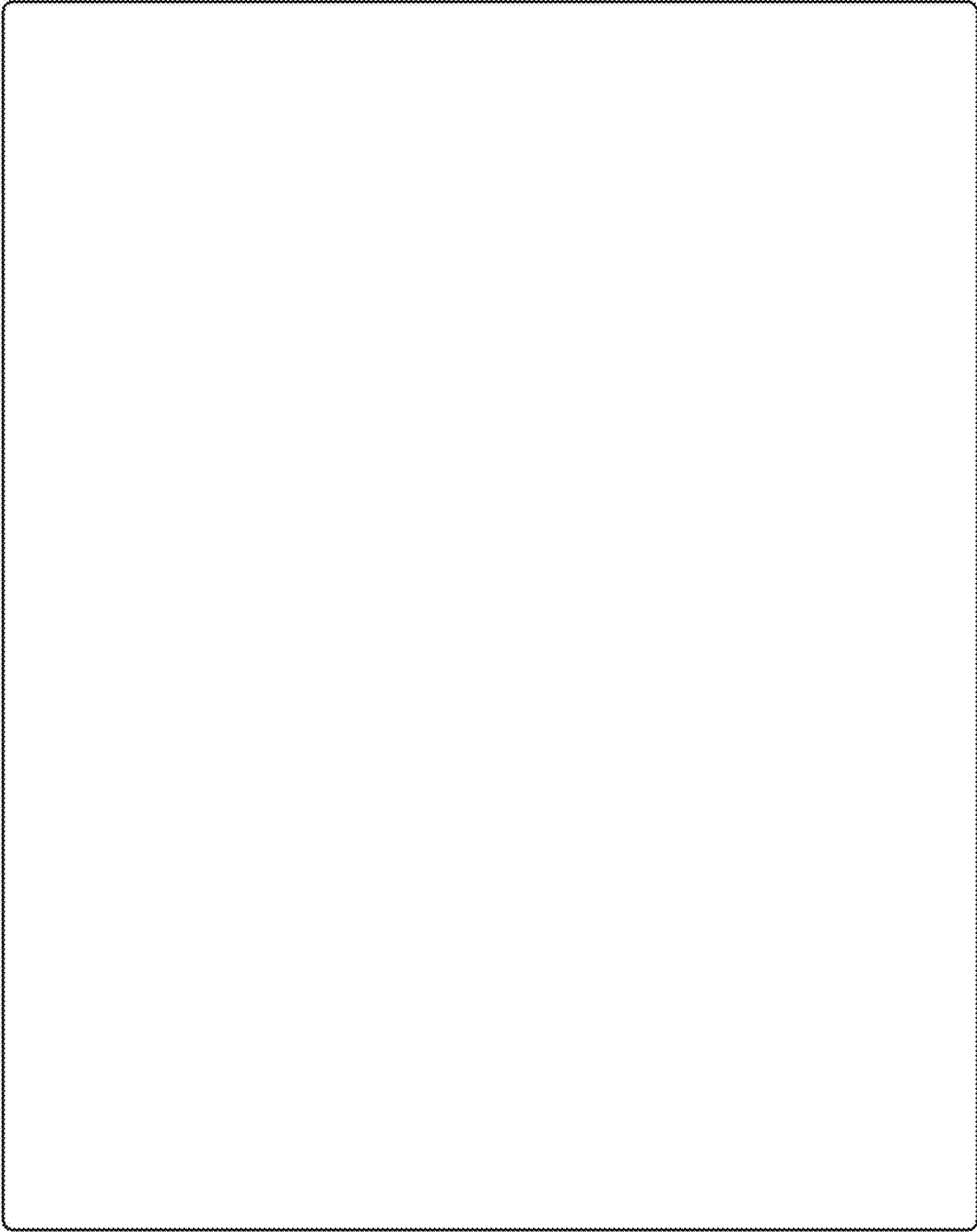
1.3



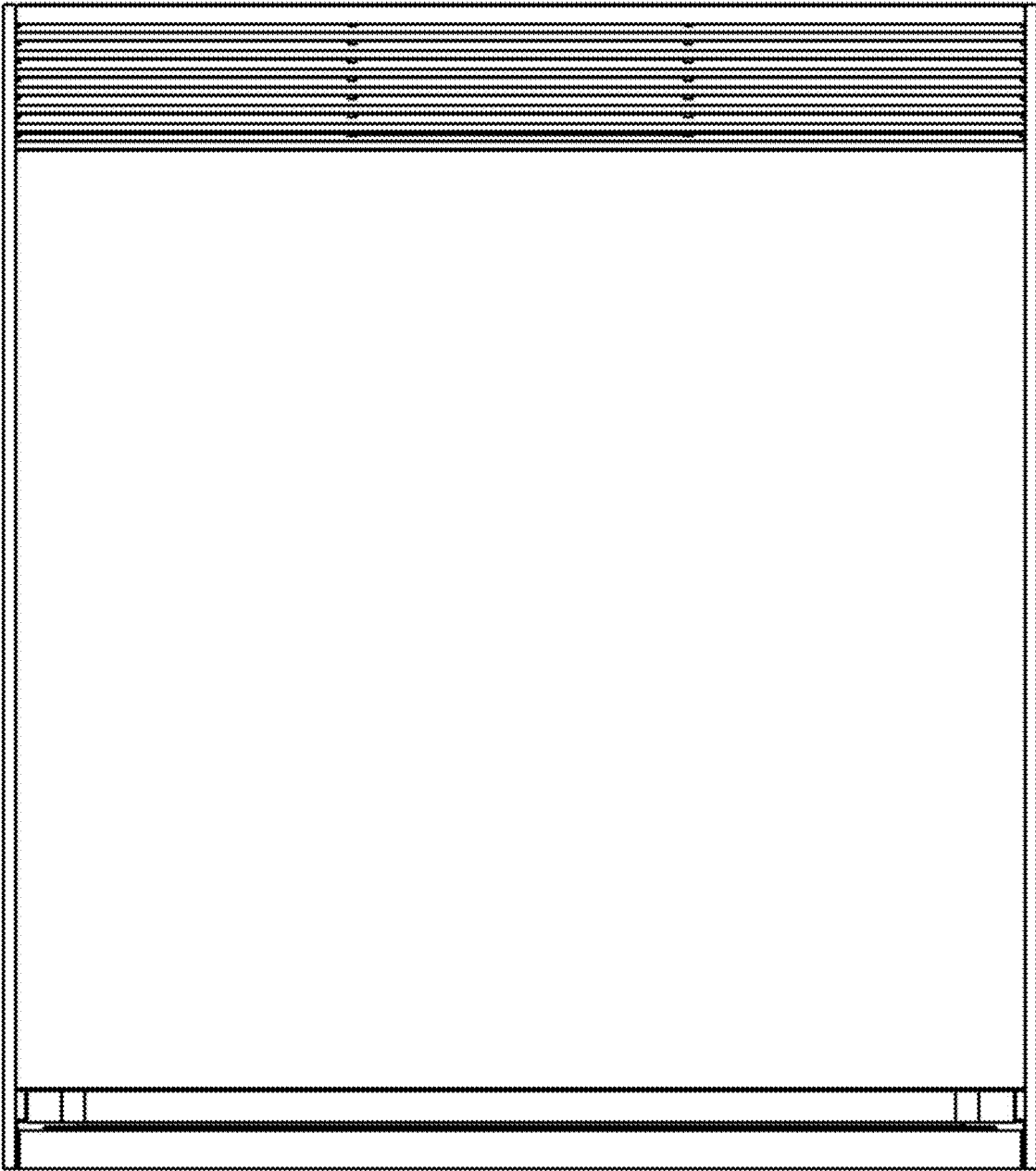
1.4



1.5

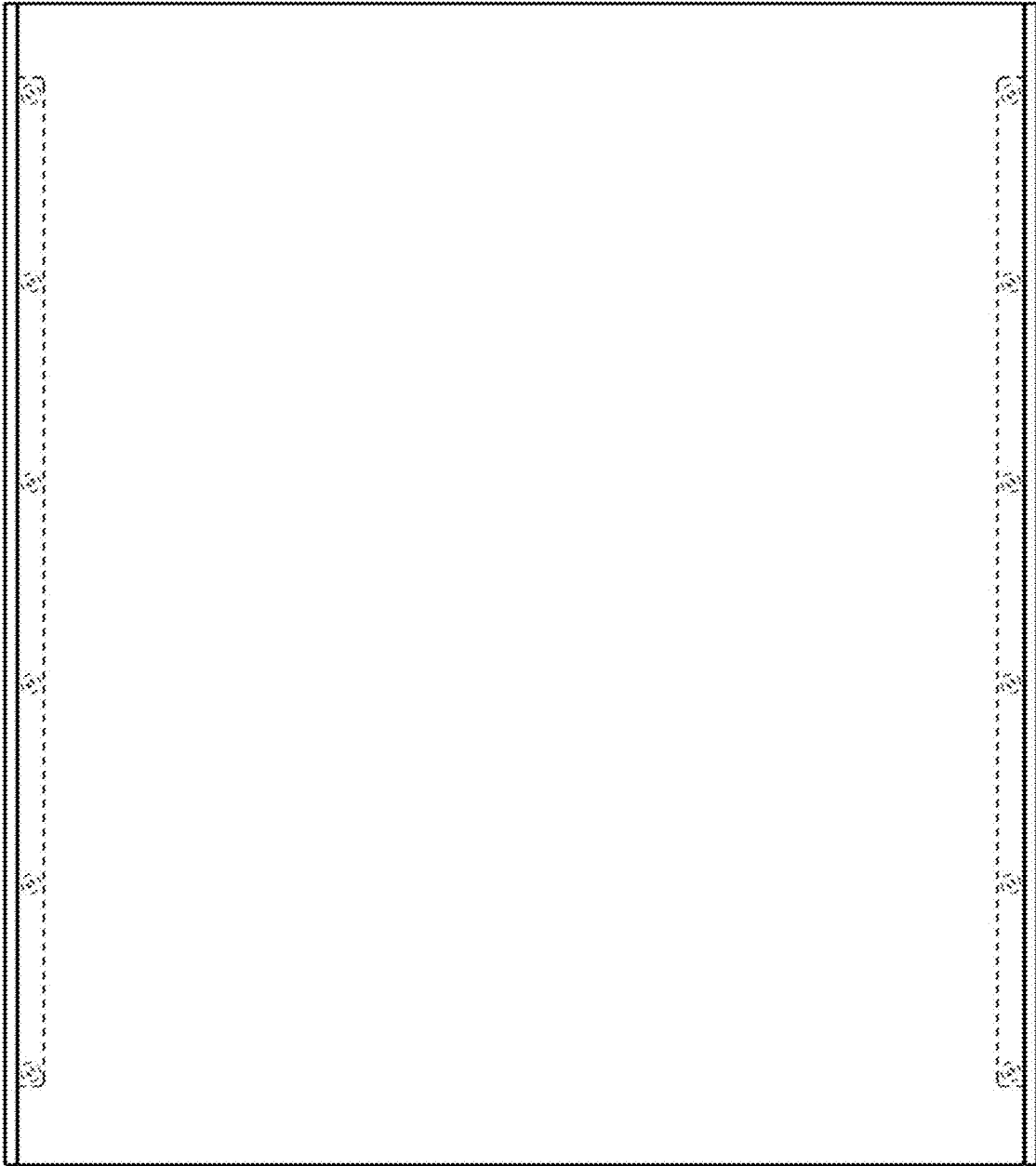


1.6

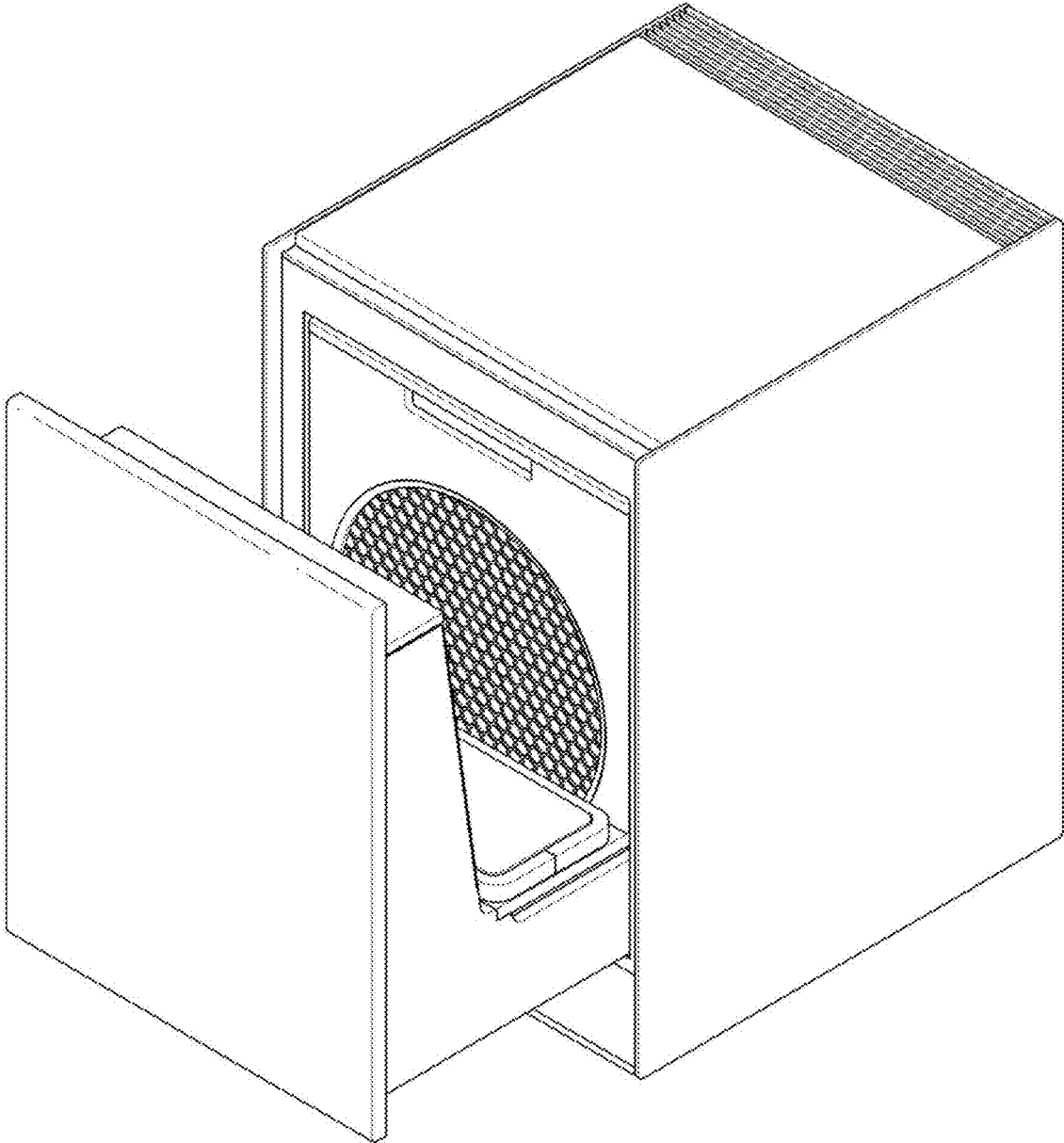




1.7



1.8



1.9

