



(51) International Patent Classification:

A61B 17/70 (2006.01) A61B 17/16 (2006.01)
A61B 17/84 (2006.01) A61B 17/17 (2006.01)
A61B 17/86 (2006.01) A61B 17/68 (2006.01)

(21) International Application Number:

PCT/US2020/020007

(22) International Filing Date:

27 February 2020 (27.02.2020)

(25) Filing Language:

English

(26) Publication Language:

English

(30) Priority Data:

62/810,979 27 February 2019 (27.02.2019) US

(71) Applicant: LENKBAR LLC [US/US]; 11430 Tamiami Trail East, Naples, FL 34113 (US).

(72) Inventors: PAPPENFUSS, Erik; 209 Ridge Drive, Naples, FL 34108 (US). ZASADA, Robert; 18349 Fairmont Drive, Naples, FL 34114 (US). CLAWSON, Terry; 8723 Coastline Court, Naples, FL 34120 (US).

(74) Agent: MAENNER, Joseph, E. et al.; Maenner & Associates, LLC, 2723 Stockley Lane, Downingtown, PA 19335 (US).

(81) Designated States (unless otherwise indicated, for every kind of national protection available): AE, AG, AL, AM, AO, AT, AU, AZ, BA, BB, BG, BH, BN, BR, BW, BY, BZ, CA, CH, CL, CN, CO, CR, CU, CZ, DE, DJ, DK, DM, DO, DZ, EC, EE, EG, ES, FI, GB, GD, GE, GH, GM, GT, HN, HR, HU, ID, IL, IN, IR, IS, JO, JP, KE, KG, KH, KN, KP, KR, KW, KZ, LA, LC, LK, LR, LS, LU, LY, MA, MD, ME, MG, MK, MN, MW, MX, MY, MZ, NA, NG, NI, NO, NZ, OM, PA, PE, PG, PH, PL, PT, QA, RO, RS, RU, RW, SA, SC, SD, SE, SG, SK, SL, ST, SV, SY, TH, TJ, TM, TN, TR, TT, TZ, UA, UG, US, UZ, VC, VN, WS, ZA, ZM, ZW.

(84) Designated States (unless otherwise indicated, for every kind of regional protection available): ARIPO (BW, GH, GM, KE, LR, LS, MW, MZ, NA, RW, SD, SL, ST, SZ, TZ, UG, ZM, ZW), Eurasian (AM, AZ, BY, KG, KZ, RU, TJ, TM), European (AL, AT, BE, BG, CH, CY, CZ, DE, DK, EE, ES, FI, FR, GB, GR, HR, HU, IE, IS, IT, LT, LU, LV, MC, MK, MT, NL, NO, PL, PT, RO, RS, SE, SI, SK, SM,

(54) Title: SPINAL FIXATION ASSEMBLY

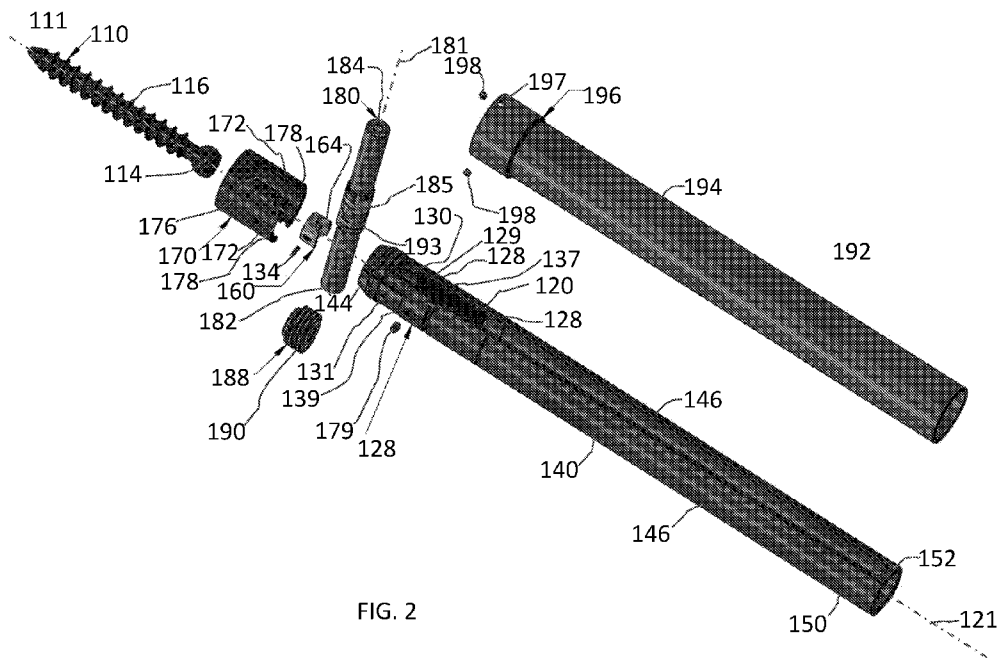


FIG. 2

(57) Abstract: A fixation assembly includes a pedicle screw having a screw head, an elongate tulip head inserted over the pedicle screw, and a swivel rocker inserted into the tulip head. The swivel rocker has an axial through passage extending therethrough, an arcuate concave distal face being contoured to match the screw head, and a saddle shaped proximal face. A rod assembly is seated on the saddle shaped proximal face. A retainer ring secures the tulip head around the screw head. A method of implanting the assembly is also provided.



TR), OAPI (BF, BJ, CF, CG, CI, CM, GA, GN, GQ, GW,
KM, ML, MR, NE, SN, TD, TG).

Published:

- *with international search report (Art. 21(3))*
- *before the expiration of the time limit for amending the claims and to be republished in the event of receipt of amendments (Rule 48.2(h))*

(88) Date of publication of the international search report:

15 October 2020 (15.10.2020)

INTERNATIONAL SEARCH REPORT

International application No.

PCT/US2020/020007

<p>A. CLASSIFICATION OF SUBJECT MATTER See extra sheet.</p> <p>According to International Patent Classification (IPC) or to both national classification and IPC</p>																				
<p>B. FIELDS SEARCHED</p> <p>Minimum documentation searched (classification system followed by classification symbols) See extra sheet.</p> <p>Documentation searched other than minimum documentation to the extent that such documents are included in the fields searched</p> <p>Electronic data base consulted during the international search (name of data base and, where practicable, search terms used) Databases consulted: Google Patents, Orbit</p>																				
<p>C. DOCUMENTS CONSIDERED TO BE RELEVANT</p> <table border="1"> <thead> <tr> <th>Category*</th> <th>Citation of document, with indication, where appropriate, of the relevant passages</th> <th>Relevant to claim No.</th> </tr> </thead> <tbody> <tr> <td>X</td> <td>US 10130394 B2 ZIMMER SPINE INC 20 Nov 2018 (2018/11/20) The whole document</td> <td>1-29</td> </tr> <tr> <td>X</td> <td>US 2009138044 A1 ZIMMER SPINE INC 28 May 2009 (2009/05/28) The whole document</td> <td>1-29</td> </tr> <tr> <td>A</td> <td>US 2018296250 A1 JOIMAX GMBH 10 Oct 2018 (2018/10/10) The whole document</td> <td>1-29</td> </tr> <tr> <td>A</td> <td>US 9918747 B2 DEPUY SYNTHES PRODUCTS INC 20 Mar 2018 (2018/03/20) The whole document</td> <td>1-29</td> </tr> <tr> <td>A</td> <td>US 7914536 B2 AESCULAP AG 29 Mar 2011 (2011/03/29) The whole document</td> <td>1-29</td> </tr> </tbody> </table>			Category*	Citation of document, with indication, where appropriate, of the relevant passages	Relevant to claim No.	X	US 10130394 B2 ZIMMER SPINE INC 20 Nov 2018 (2018/11/20) The whole document	1-29	X	US 2009138044 A1 ZIMMER SPINE INC 28 May 2009 (2009/05/28) The whole document	1-29	A	US 2018296250 A1 JOIMAX GMBH 10 Oct 2018 (2018/10/10) The whole document	1-29	A	US 9918747 B2 DEPUY SYNTHES PRODUCTS INC 20 Mar 2018 (2018/03/20) The whole document	1-29	A	US 7914536 B2 AESCULAP AG 29 Mar 2011 (2011/03/29) The whole document	1-29
Category*	Citation of document, with indication, where appropriate, of the relevant passages	Relevant to claim No.																		
X	US 10130394 B2 ZIMMER SPINE INC 20 Nov 2018 (2018/11/20) The whole document	1-29																		
X	US 2009138044 A1 ZIMMER SPINE INC 28 May 2009 (2009/05/28) The whole document	1-29																		
A	US 2018296250 A1 JOIMAX GMBH 10 Oct 2018 (2018/10/10) The whole document	1-29																		
A	US 9918747 B2 DEPUY SYNTHES PRODUCTS INC 20 Mar 2018 (2018/03/20) The whole document	1-29																		
A	US 7914536 B2 AESCULAP AG 29 Mar 2011 (2011/03/29) The whole document	1-29																		
<p><input checked="" type="checkbox"/> Further documents are listed in the continuation of Box C. <input checked="" type="checkbox"/> See patent family annex.</p>																				
<p>* Special categories of cited documents:</p> <p>“A” document defining the general state of the art which is not considered to be of particular relevance</p> <p>“D” document cited by the applicant in the international application</p> <p>“E” earlier application or patent but published on or after the international filing date</p> <p>“L” document which may throw doubts on priority claim(s) or which is cited to establish the publication date of another citation or other special reason (as specified)</p> <p>“O” document referring to an oral disclosure, use, exhibition or other means</p> <p>“P” document published prior to the international filing date but later than the priority date claimed</p> <p>“T” later document published after the international filing date or priority date and not in conflict with the application but cited to understand the principle or theory underlying the invention</p> <p>“X” document of particular relevance; the claimed invention cannot be considered novel or cannot be considered to involve an inventive step when the document is taken alone</p> <p>“Y” document of particular relevance; the claimed invention cannot be considered to involve an inventive step when the document is combined with one or more other such documents, such combination being obvious to a person skilled in the art</p> <p>“&” document member of the same patent family</p>																				
<p>Date of the actual completion of the international search</p> <p>11 Sep 2020</p>		<p>Date of mailing of the international search report</p> <p>13 Sep 2020</p>																		
<p>Name and mailing address of the ISA:</p> <p>Israel Patent Office Technology Park, Bldg.5, Malcha, Jerusalem, 9695101, Israel Email address: pctoffice@justice.gov.il</p>		<p>Authorized officer</p> <p>ZREIQI Asia</p> <p>Telephone No. 972-73-3927231</p>																		

INTERNATIONAL SEARCH REPORT

International application No.
PCT/US2020/020007

C (Continuation). DOCUMENTS CONSIDERED TO BE RELEVANT		
Category*	Citation of document, with indication, where appropriate, of the relevant passages	Relevant to claim No.
A	US 2018263666 A1 CAIN CHRISTOPHER JOHN MARDEN 20 Sep 2018 (2018/09/20) The whole document	1-29
A	US 2015164569 A1 STRYKER EUROPE HOLDINGS I LLC 18 Jun 2015 (2015/06/18) The whole document	1-29

INTERNATIONAL SEARCH REPORT
Information on patent family members

International application No.
PCT/US2020/020007

Patent document cited search report			Publication date	Patent family member(s)		Publication Date
US	10130394	B2	20 Nov 2018	US	2015305781 A1	29 Oct 2015
<hr/>						
				US	10130394 B2	20 Nov 2018
				AU	2003287273 A1	07 Jun 2004
				AU	2003287273 B2	20 Aug 2009
				AU	2003287273 C1	07 Jan 2010
				AU	2005305193 A1	18 May 2006
				AU	2005305193 B2	16 Feb 2012
				AU	2008276119 A1	22 Jan 2009
				AU	2008276119 B2	07 Nov 2013
				AU	2009201461 A1	07 May 2009
				AU	2009201461 B2	05 Apr 2012
				CA	2502571 A1	21 May 2004
				CA	2502571 C	18 Oct 2011
				CA	2586554 A1	18 May 2006
				CA	2693430 A1	22 Jan 2009
				EP	1558157 A1	03 Aug 2005
				EP	1558157 B1	21 Nov 2012
				EP	1835860 A2	26 Sep 2007
				EP	2177172 A1	21 Apr 2010
				EP	2177172 B1	28 Aug 2013
				EP	2187827 A1	26 May 2010
				EP	2187827 B1	09 Apr 2014
				EP	2366349 A2	21 Sep 2011
				EP	2366349 A3	19 Oct 2011
				EP	2366349 B1	05 Apr 2017
				EP	2366350 A2	21 Sep 2011
				EP	2366350 A3	19 Oct 2011
				EP	2366350 B1	05 Apr 2017
				EP	3222231 A1	27 Sep 2017
				ES	2629431 T3	09 Aug 2017

INTERNATIONAL SEARCH REPORT
Information on patent family members

International application No.
PCT/US2020/020007

Patent document cited search report	Publication date	Patent family member(s)	Publication Date
	ES 2629625	T3	11 Aug 2017
	JP 2006504505	A	09 Feb 2006
	JP 4633622	B2	23 Feb 2011
	JP 2008518674	A	05 Jun 2008
	JP 2010533556	A	28 Oct 2010
	US 2004138662	A1	15 Jul 2004
	US 7250052	B2	31 Jul 2007
	US 2004143265	A1	22 Jul 2004
	US 7491218	B2	17 Feb 2009
	US 2007219554	A1	20 Sep 2007
	US 7563264	B2	21 Jul 2009
	US 2006084993	A1	20 Apr 2006
	US 7691132	B2	06 Apr 2010
	US 2008045957	A1	21 Feb 2008
	US 7914558	B2	29 Mar 2011
	US 2008009864	A1	10 Jan 2008
	US 7985242	B2	26 Jul 2011
	US 2006142761	A1	29 Jun 2006
	US 8034084	B2	11 Oct 2011
	US 2008039838	A1	14 Feb 2008
	US 8075592	B2	13 Dec 2011
	US 2012123477	A1	17 May 2012
	US 8496685	B2	30 Jul 2013
	US 2013296950	A1	07 Nov 2013
	US 8956362	B2	17 Feb 2015
	US 2008077139	A1	27 Mar 2008
	US 9539012	B2	10 Jan 2017
	US 2015148845	A1	28 May 2015
	US 9603631	B2	28 Mar 2017
	US 2016302832	A1	20 Oct 2016
	US 10052137	B2	21 Aug 2018

INTERNATIONAL SEARCH REPORT
Information on patent family members

International application No.
PCT/US2020/020007

Patent document cited search report	Publication date	Patent family member(s)	Publication Date
		US 2004172022 A1	02 Sep 2004
		US 2006095035 A1	04 May 2006
		US 2017100164 A1	13 Apr 2017
		WO 2004041100 A1	21 May 2004
		WO 2006052504 A2	18 May 2006
		WO 2006052504 A3	23 Nov 2006
		WO 2009012247 A1	22 Jan 2009
US 2009138044 A1	28 May 2009	US 2009138044 A1	28 May 2009
<hr/>			
		US 7947064 B2	24 May 2011
		US 2011190823 A1	04 Aug 2011
		US 8512381 B2	20 Aug 2013
		US 2013331891 A1	12 Dec 2013
US 2018296250 A1	10 Oct 2018	US 2018296250 A1	18 Oct 2018
<hr/>			
		US 10667846 B2	02 Jun 2020
		CN 108135640 A	08 Jun 2018
		DE 102015012909 A1	06 Apr 2017
		DE 202016005347 U1	07 Oct 2016
		EP 3209229 A1	30 Aug 2017
		JP 2018531638 A	01 Nov 2018
		KR 20180066068 A	18 Jun 2018
		WO 2017059941 A1	13 Apr 2017
US 9918747 B2	20 Mar 2018	US 2016128733 A1	12 May 2016
<hr/>			
		US 9918747 B2	20 Mar 2018
		US 2014277161 A1	18 Sep 2014
		US 10342582 B2	09 Jul 2019
		US 2014277153 A1	18 Sep 2014
		US 2019365426 A1	05 Dec 2019
US 7914536 B2	29 Mar 2011	US 2006217735 A1	28 Sep 2006

INTERNATIONAL SEARCH REPORT
Information on patent family members

International application No.
PCT/US2020/020007

Patent document cited search report	Publication date	Patent family member(s)	Publication Date
		US 7914536 B2	29 Mar 2011
		EP 1871249 A1	02 Jan 2008
		EP 1871249 B1	18 Nov 2015
		WO 2006094754 A1	14 Sep 2006
US 2018263666 A1	20 Sep 2018	US 2018263666 A1	20 Sep 2018
		WO 2018170339 A1	20 Sep 2018
US 2015164569 A1	18 Jun 2015	US 2015164569 A1	18 Jun 2015
		US 9622795 B2	18 Apr 2017
		AU 2014274626 A1	02 Jul 2015
		AU 2014274626 B2	12 Dec 2019
		AU 2020201092 A1	05 Mar 2020
		CA 2874390 A1	13 Jun 2015
		CA 2874390 C	06 Mar 2018
		CA 2992336 A1	13 Jun 2015
		CA 2992336 C	14 Apr 2020
		EP 2898836 A1	29 Jul 2015
		EP 2898836 B1	22 Jan 2020
		EP 3659525 A1	03 Jun 2020
		JP 2015128581 A	16 Jul 2015
		JP 6465638 B2	06 Feb 2019
		JP 2019093158 A	20 Jun 2019
		JP 6728411 B2	22 Jul 2020
		US 2017189080 A1	06 Jul 2017
		US 10507046 B2	17 Dec 2019
		US 2020113606 A1	16 Apr 2020

INTERNATIONAL SEARCH REPORT

International application No.

PCT/US2020/020007

A. CLASSIFICATION OF SUBJECT MATTER:

IPC (20200101) A61B 17/70, A61B 17/84, A61B 17/86, A61B 17/16, A61B 17/17, A61B 17/68

CPC (20161101) A61B 17/7002, A61B 17/7001, A61B 17/7011, A61B 17/7032, A61B 17/7074, A61B 17/7076, A61B 17/7082, A61B 17/7083, A61B 17/84, A61B 17/86, A61B 17/8605, A61B 17/1662, A61B 17/1671, A61B 17/1739, A61B 17/1757, A61B 17/68

B. FIELDS SEARCHED:

* Minimum documentation searched (classification system followed by classification symbols)

IPC (20200101) A61B 17/70, A61B 17/84, A61B 17/86, A61B 17/16, A61B 17/68

CPC (20161101) A61B 17/7002, A61B 17/7001, A61B 17/7011, A61B 17/7032, A61B 17/7074, A61B 17/7076, A61B 17/7082, A61B 17/7083, A61B 17/84, A61B 17/86, A61B 17/8605, A61B 17/1662, A61B 17/68