



US00D970269S

(12) **United States Design Patent**
Wang

(10) **Patent No.:** **US D970,269 S**

(45) **Date of Patent:** **** Nov. 22, 2022**

(54) **GAME CONTROLLER STAND**

D801,345 S * 10/2017 Kujawski D14/447
D865,415 S * 11/2019 Zhu D6/682
D957,172 S * 7/2022 Gosling D6/682.3

(71) Applicant: **Guangzhou blue livestock trading Co., Ltd.**, Guangzhou (CN)

(72) Inventor: **Hao Wang**, Guangzhou (CN)

(**) Term: **15 Years**

(21) Appl. No.: **29/792,594**

(22) Filed: **Apr. 8, 2022**

(51) **LOC (13) Cl.** **06-06**

(52) **U.S. Cl.**
USPC **D6/682.3**

(58) **Field of Classification Search**
USPC D6/407, 449–450, 456, 459, 466–467,
D6/475–476, 479, 672, 673, 682, 682.3;
D14/251, 253
CPC .. A63B 71/00; A63B 71/04; A63B 2071/0602
See application file for complete search history.

(56) **References Cited**

U.S. PATENT DOCUMENTS

D321,799 S * 11/1991 Marvy 248/167
D706,561 S * 6/2014 Buller D6/682
D715,077 S * 10/2014 Everson D6/675.1
D726,458 S 4/2015 Buller
D738,145 S * 9/2015 Danford D6/682.3

OTHER PUBLICATIONS

Hao Wang and Controller under desk mount <https://www.amazon.com/gp/product/B09P9R9CZN>, Apr. 8, 2022.

* cited by examiner

Primary Examiner — Kelley A Donnelly

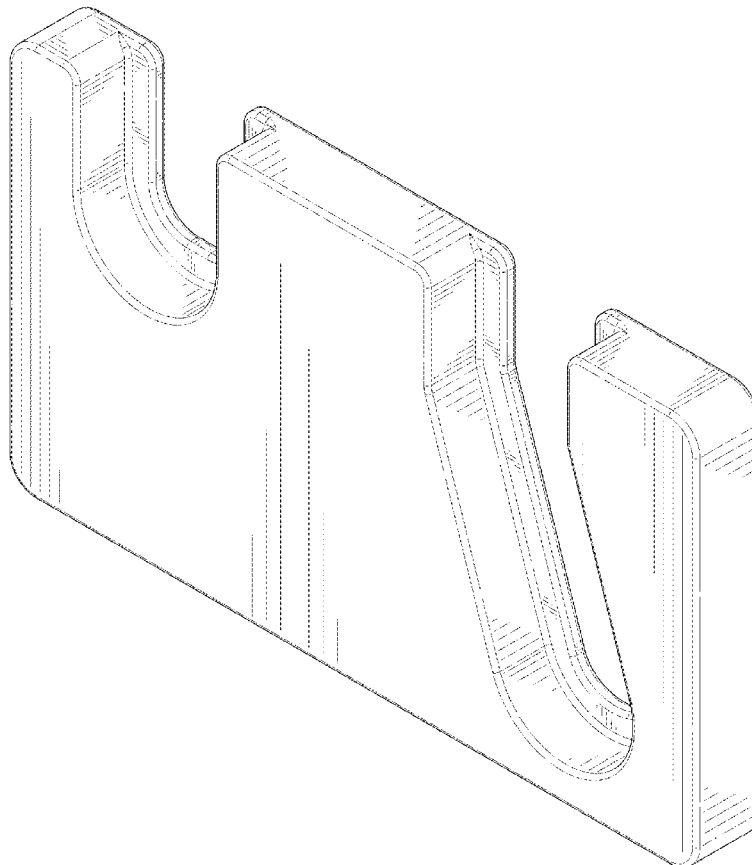
(57) **CLAIM**

The ornamental design for a game controller stand, as shown and described.

DESCRIPTION

FIG. 1 is a front and top perspective view of a game controller stand, showing my new design; FIG. 2 is a rear and bottom perspective view thereof; FIG. 3 is a front elevation view thereof; FIG. 4 is a rear elevation view thereof; FIG. 5 is a left side elevation view thereof; FIG. 6 is a right side elevation view thereof; FIG. 7 is a top plan view thereof; and, FIG. 8 is a bottom plan view thereof.

1 Claim, 8 Drawing Sheets



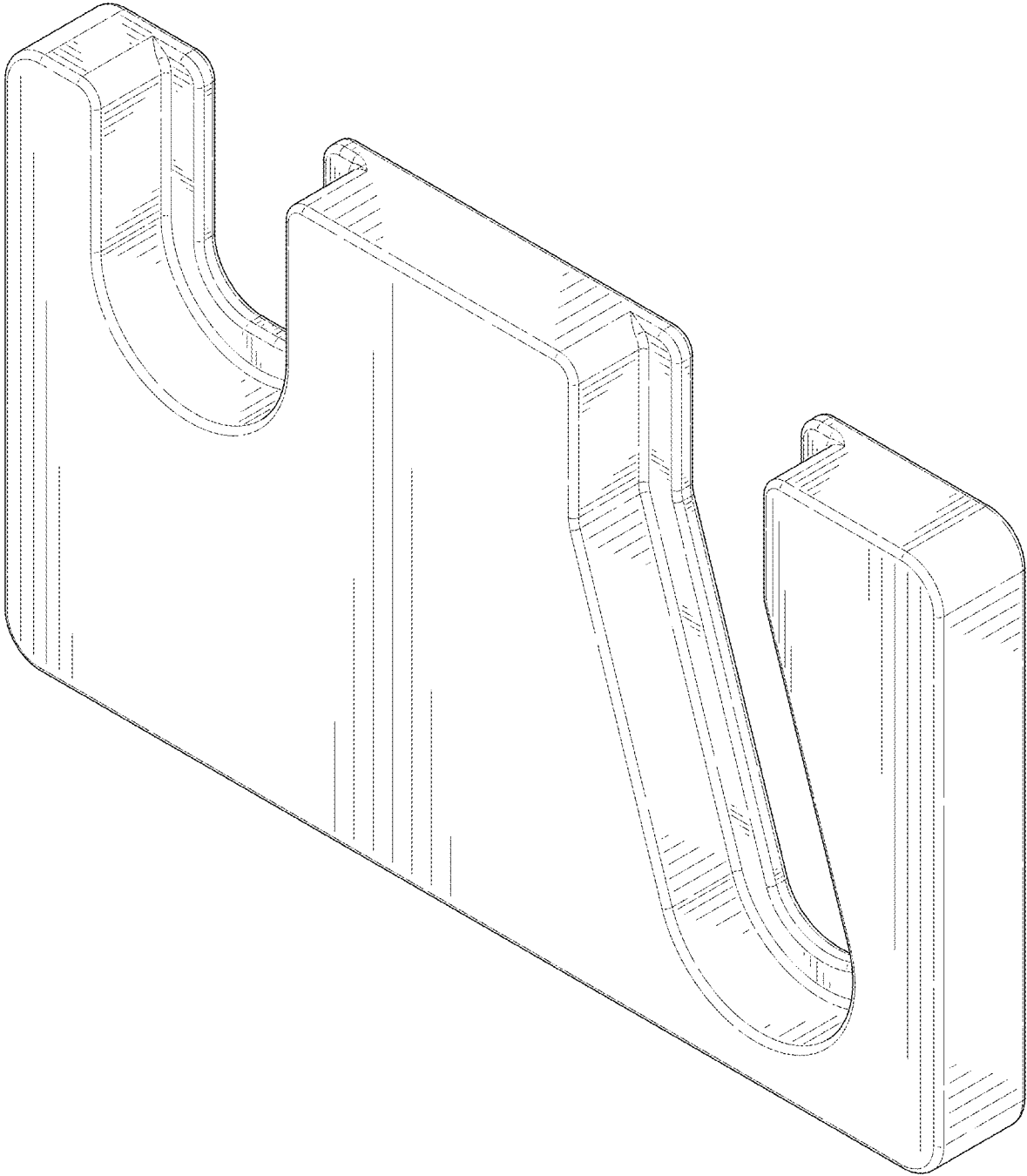


FIG. 1

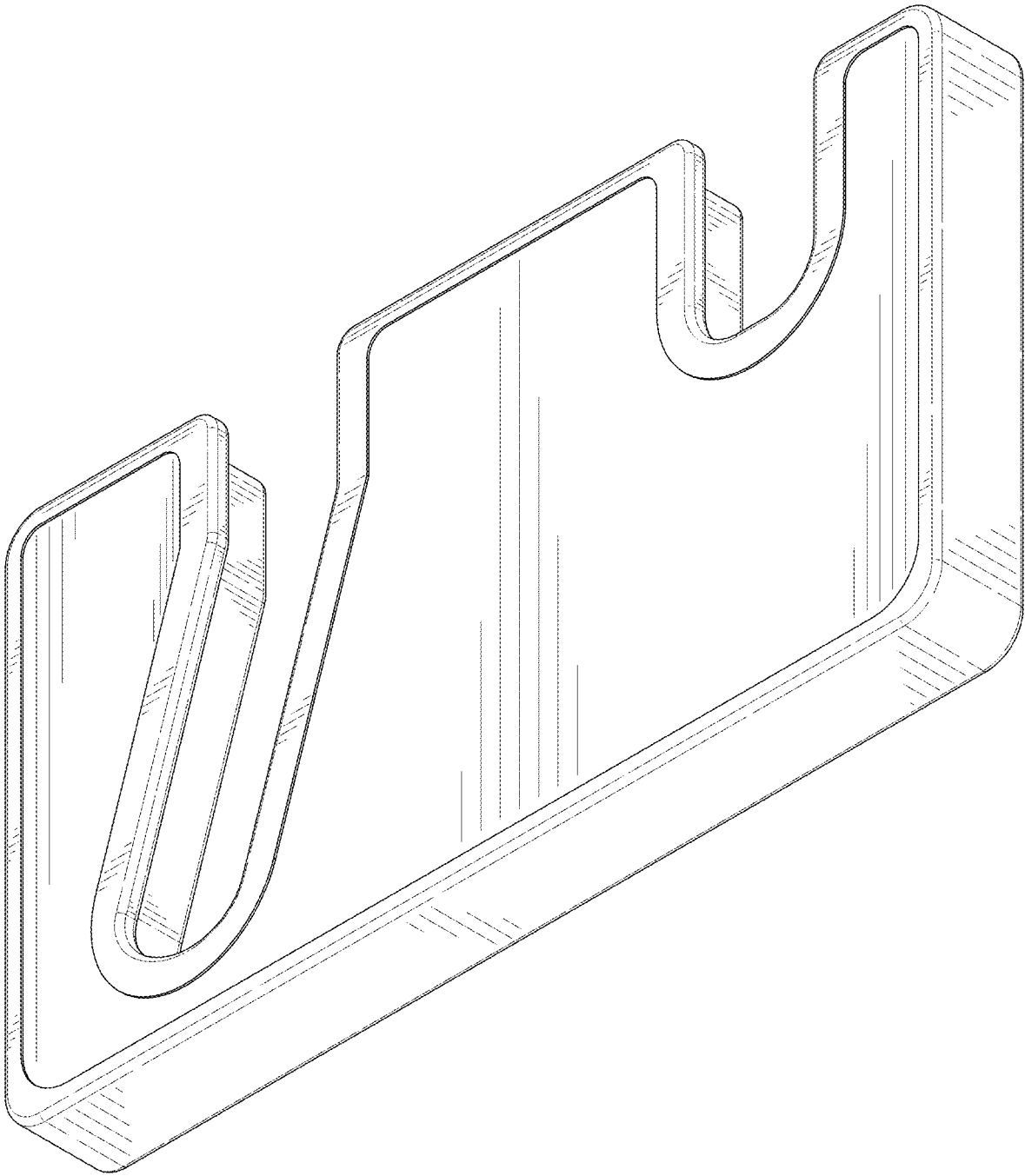


FIG. 2

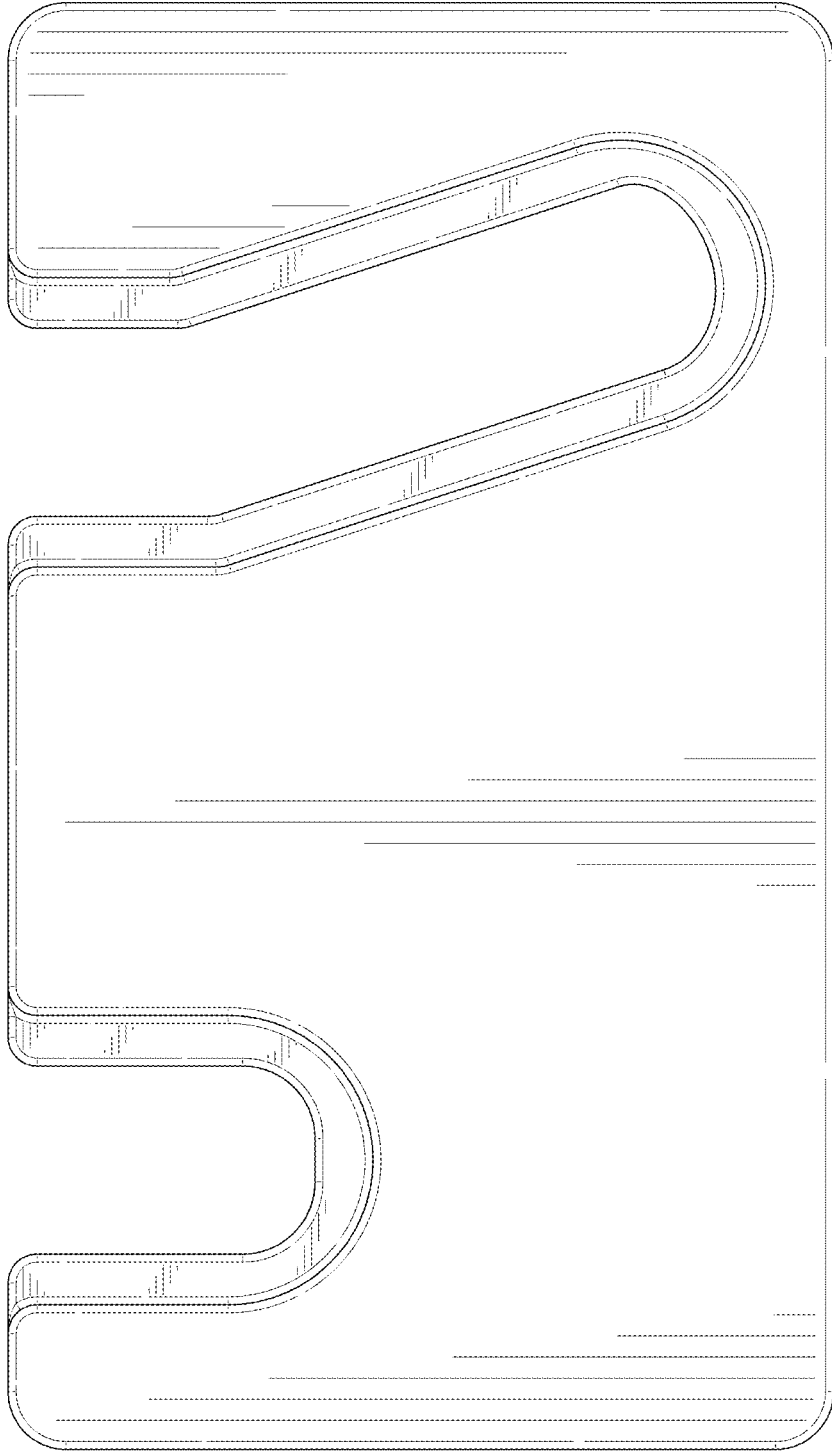


FIG. 3

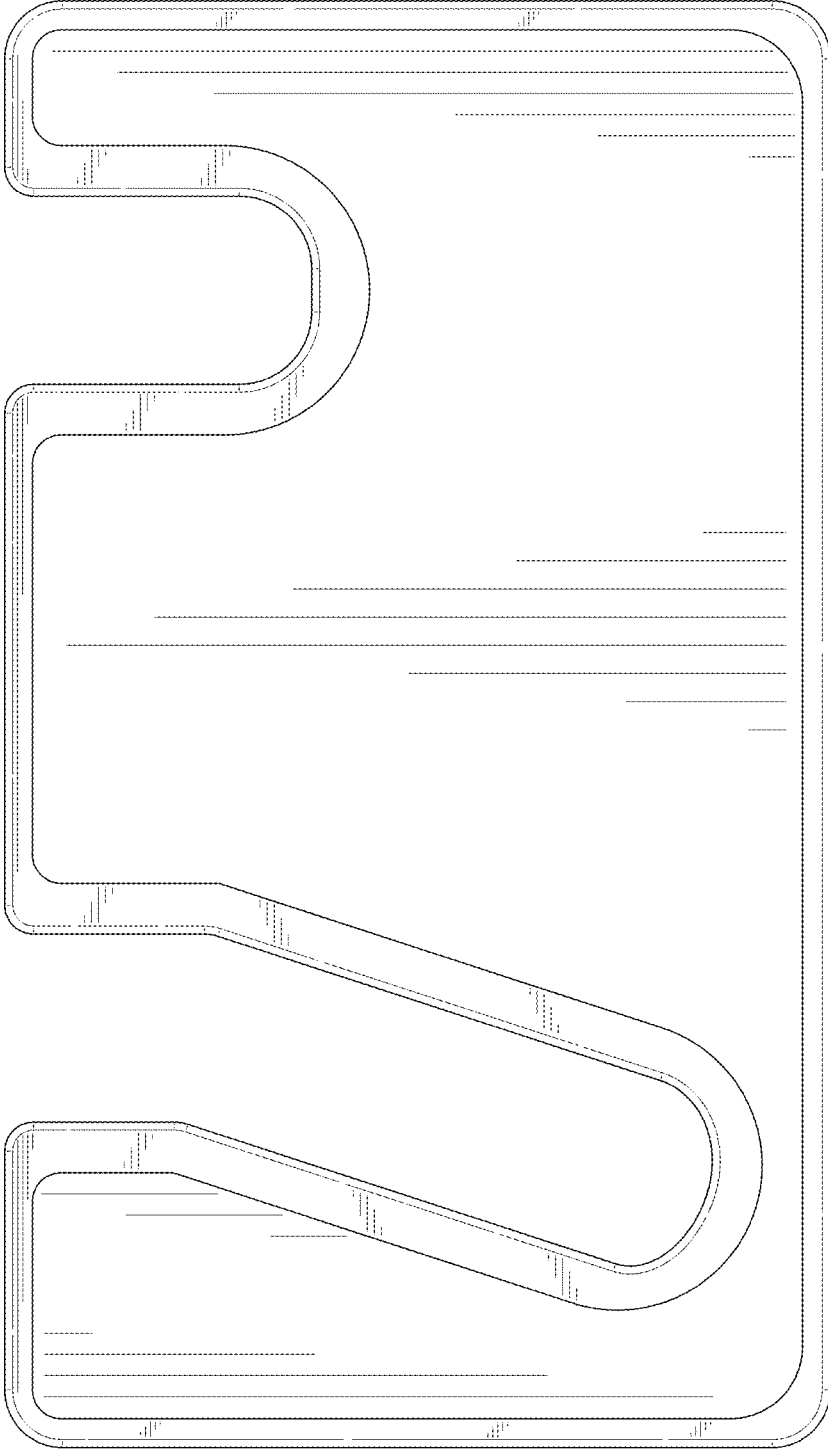


FIG. 4

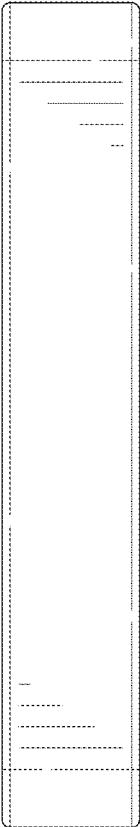


FIG. 5

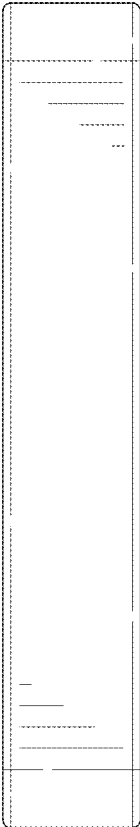


FIG. 6

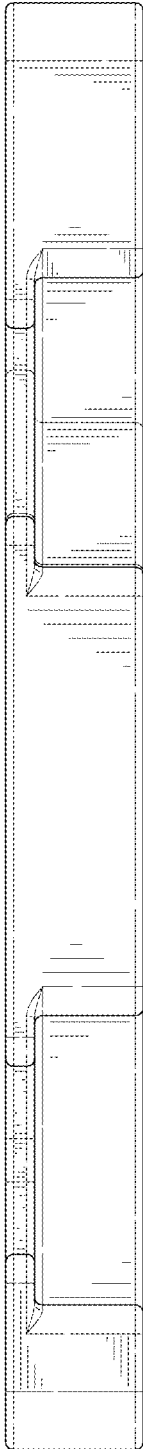


FIG. 7

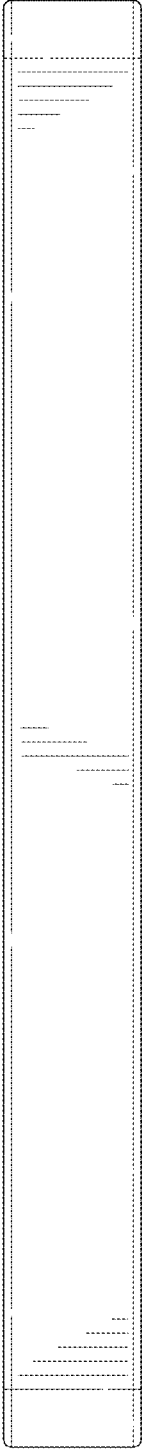


FIG. 8