



US00D780836S

(12) **United States Design Patent**
Kenkman

(10) **Patent No.:** **US D780,836 S**

(45) **Date of Patent:** **** Mar. 7, 2017**

(54) **DRUM HEAD WALL DISPLAY WITH A
RETAINING RING**

(71) Applicant: **Steve Kenkman**, Newcastle, WA (US)

(72) Inventor: **Steve Kenkman**, Newcastle, WA (US)

(**) Term: **14 Years**

(21) Appl. No.: **29/520,212**

(22) Filed: **Mar. 12, 2015**

(51) **LOC (10) Cl.** **17-04**

(52) **U.S. Cl.**
USPC **D17/22**

(58) **Field of Classification Search**
USPC 84/413-415, 411 R, 723-733; D17/22,
D17/99; D21/405
CPC G10D 13/02; G10H 3/10
See application file for complete search history.

(56) **References Cited**

U.S. PATENT DOCUMENTS

D58,747	S	*	8/1921	Gulick	D17/22
3,346,732	A		10/1967	Crusius		
D257,989	S	*	1/1981	Ludwig	D17/22
4,282,793	A	*	8/1981	Muchnick	D06M 15/55
						428/131
D464,078	S	*	10/2002	Lau	D17/22
D464,986	S	*	10/2002	Hagiwara	D17/22
D763,953	S	*	8/2016	Kenkman	D17/22
2008/0141845	A1	*	6/2008	Kennedy	G10D 13/023
						84/413

OTHER PUBLICATIONS

Etsy, Selectahead Shop, Earliest review comment date Jan. 8, 2016, [site visited Mar. 22, 2016], Available on the Internet URL:<<https://www.etsy.com/listing/260595275/14-inch-drumhead-wall-display>>.*
DrumART.com—(Head Builder).

* cited by examiner

Primary Examiner — Susan Bennett Hattan
Assistant Examiner — S. Bryan Reinholdt, Jr.
(74) *Attorney, Agent, or Firm* — Dean A. Craine; Marisa C Whitaker

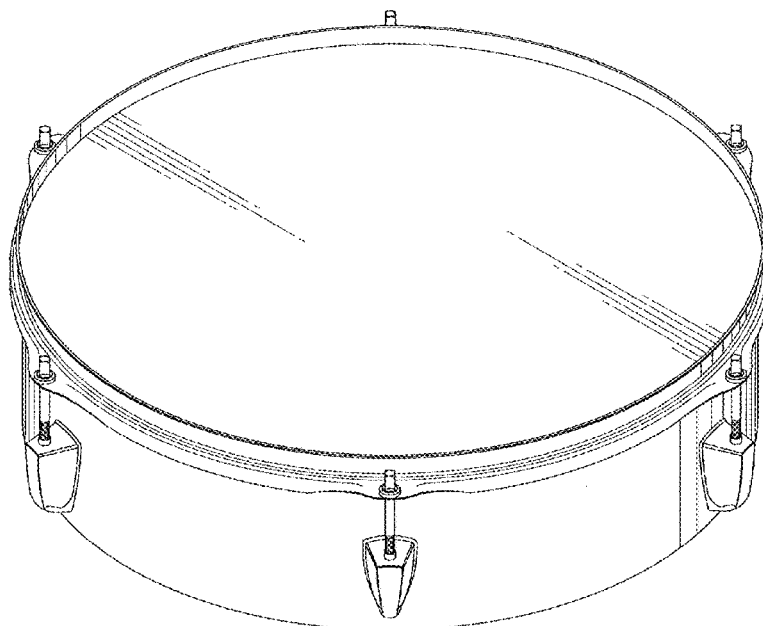
(57) **CLAIM**

The ornamental design for a drum head wall display with a retaining ring.

DESCRIPTION

FIG. 1 is a front, top perspective view of a drum head wall display with a retaining ring.
FIG. 2 is a right side elevational view of the drum head wall display with a retaining ring shown in FIG. 1.
FIG. 3 is a top plan view of the drum head wall display with a retaining ring shown in FIG. 1.
FIG. 4 is a rear plan view of the drum head wall display with a retaining ring shown in FIG. 1; and,
FIG. 5 is a sectional view taken along line 5-5 in FIG. 3 showing a side profile of the drum head wall display with a retaining ring shown in FIG. 1.
The broken lines in FIG. 5 depict the extent of the sectional view and form no part of the claimed design.

1 Claim, 3 Drawing Sheets



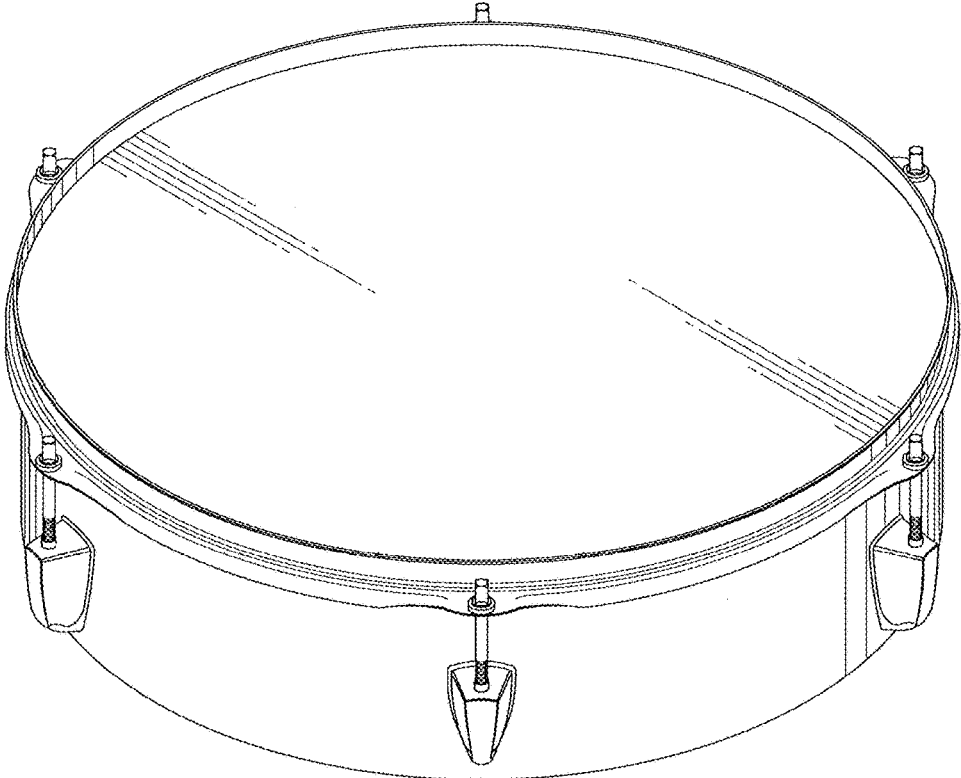


Fig. 1

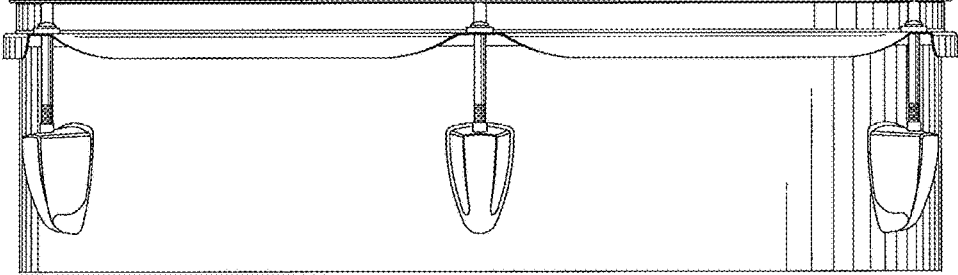


Fig. 2

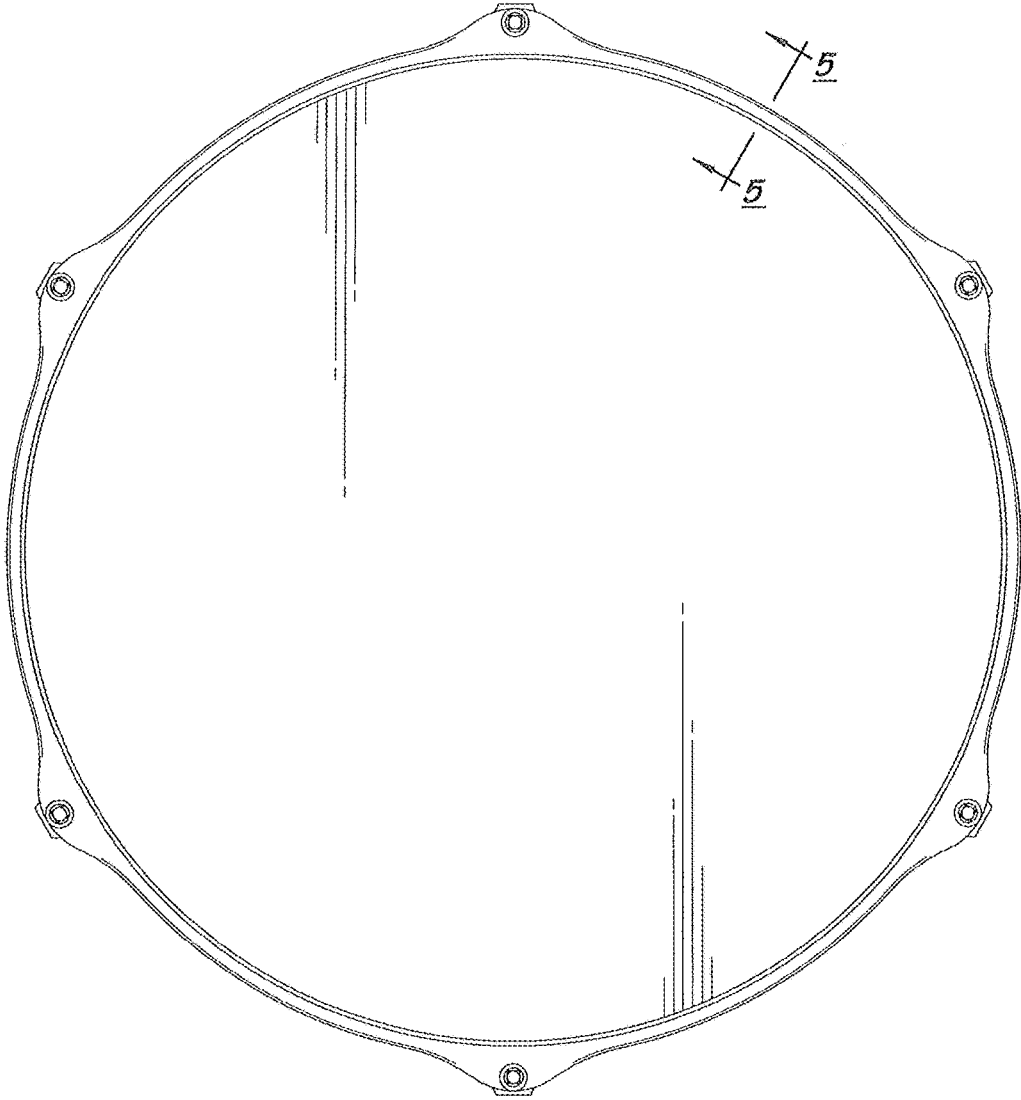


Fig. 3

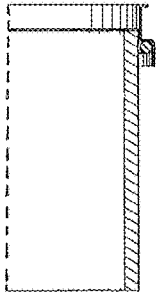


Fig. 5

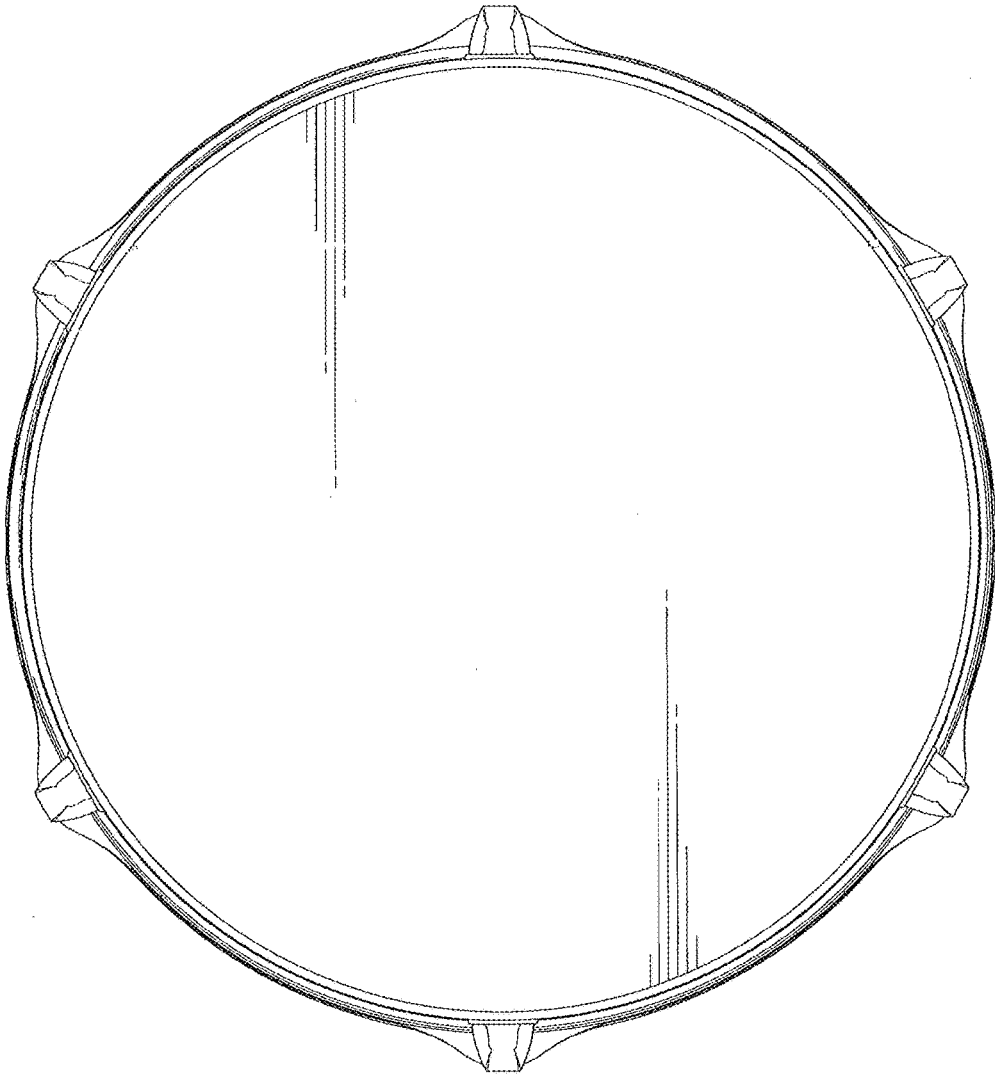


Fig. 4