

(19) World Intellectual Property  
Organization  
International Bureau



(43) International Publication Date  
23 December 2004 (23.12.2004)

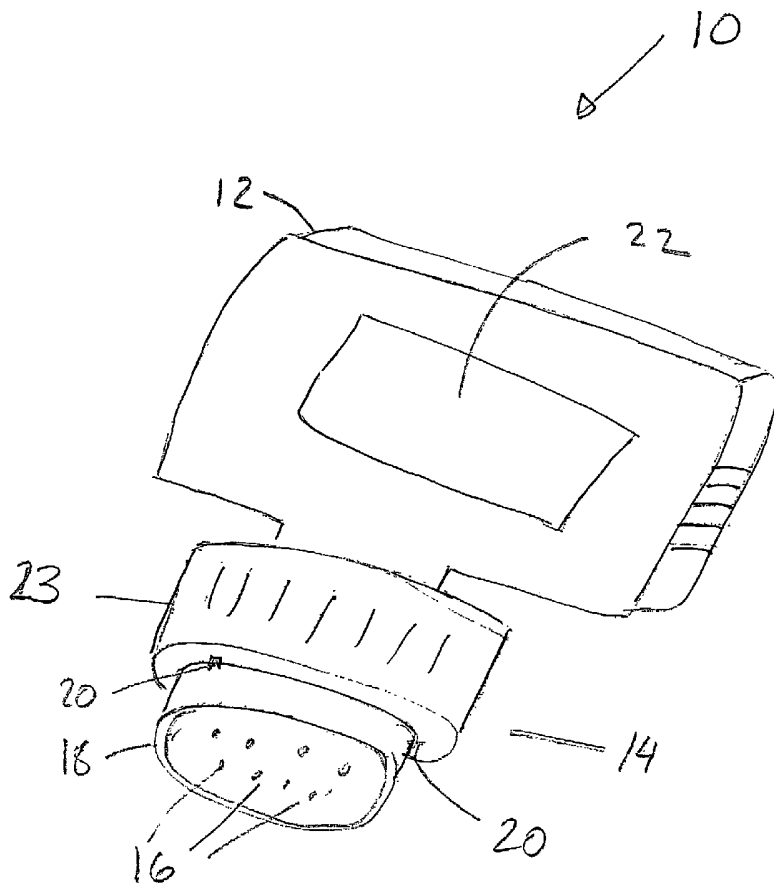
PCT

(10) International Publication Number  
WO 2004/111567 A3

- (51) International Patent Classification<sup>7</sup>: F41F 3/055 (74) Agent: FRIEDMAN, Mark; 7 Haomanim St., 67897 Tel Aviv (IL).
- (21) International Application Number: PCT/IL2004/000509 (81) Designated States (unless otherwise indicated, for every kind of national protection available): AE, AG, AL, AM, AT, AU, AZ, BA, BB, BG, BR, BW, BY, BZ, CA, CH, CN, CO, CR, CU, CZ, DE, DK, DM, DZ, EC, EE, EG, ES, FI, GB, GD, GE, GH, GM, HR, HU, ID, IL, IN, IS, JP, KE, KG, KP, KR, KZ, LC, LK, LR, LS, LT, LU, LV, MA, MD, MG, MK, MN, MW, MX, MZ, NA, NI, NO, NZ, OM, PG, PH, PL, PT, RO, RU, SC, SD, SE, SG, SK, SL, SY, TJ, TM, TN, TR, TT, TZ, UA, UG, US, UZ, VC, VN, YU, ZA, ZM, ZW.
- (22) International Filing Date: 9 June 2004 (09.06.2004)
- (25) Filing Language: English
- (26) Publication Language: English
- (30) Priority Data: 156468 16 June 2003 (16.06.2003) IL
- (71) Applicant (for all designated States except US): RAFAEL - ARMAMENT DEVELOPMENT AUTHORITY LTD. [IL/IL]; P.O.Box 2250, 31021 Haifa (IL).
- (72) Inventor; and
- (75) Inventor/Applicant (for US only): BLEIMAN, Jacob [IL/IL]; 6 Hashayara, 26263 Kiryat Haim (IL).
- (84) Designated States (unless otherwise indicated, for every kind of regional protection available): ARIPO (BW, GH, GM, KE, LS, MW, MZ, NA, SD, SL, SZ, TZ, UG, ZM, ZW), Eurasian (AM, AZ, BY, KG, KZ, MD, RU, TJ, TM), European (AT, BE, BG, CH, CY, CZ, DE, DK, EE, ES, FI, FR, GB, GR, HU, IE, IT, LU, MC, NL, PL, PT, RO, SE, SI,

[Continued on next page]

(54) Title: MISSION CARTRIDGE



(57) Abstract: A mission cartridge (10) and a weapon (38) for attacking a target are disclosed. The mission cartridge (10), a memory unit (12) associated with a connector element (14), contains information such as mission data. The connector element (14) of the mission cartridge (10) is mated to a matching connector element (14) on the weapon body (38). Once mated, an on-board computer (40) of the weapon (38) uses information from the memory unit (12) to attack the target or records flight data to the mission cartridge (10).

WO 2004/111567 A3



SK, TR), OAPI (BF, BJ, CF, CG, CI, CM, GA, GN, GQ, GW, ML, MR, NE, SN, TD, TG).

*For two-letter codes and other abbreviations, refer to the "Guidance Notes on Codes and Abbreviations" appearing at the beginning of each regular issue of the PCT Gazette.*

**Published:**

- *with international search report*
- *before the expiration of the time limit for amending the claims and to be republished in the event of receipt of amendments*

**(88) Date of publication of the international search report:**

22 September 2005

**INTERNATIONAL SEARCH REPORT**

International application No.

PCT/IL04/00509

**A. CLASSIFICATION OF SUBJECT MATTER**

IPC(7) : F41F 3/055  
 US CL : 89/6.5, 1.811

According to International Patent Classification (IPC) or to both national classification and IPC

**B. FIELDS SEARCHED**

Minimum documentation searched (classification system followed by classification symbols)  
 U.S. : 89/6.5, 1.811, 6

Documentation searched other than minimum documentation to the extent that such documents are included in the fields searched

Electronic data base consulted during the international search (name of data base and, where practicable, search terms used)  
 BRS text searches conducted on 4/30/2005 and 5/2/2005

**C. DOCUMENTS CONSIDERED TO BE RELEVANT**

Category *	Citation of document, with indication, where appropriate, of the relevant passages	Relevant to claim No.
x	US 5,048,771 A (SIERING) 17 September 1991 (17.09.1991), see cols. 1-3 and figs. 1-2	1, 3-5, and 7-9
x	US 5,548,510 A (EBERT ET AL.) 20 August 1996 (20.08.1996), cols. 1 and 6 and fig.3	1, 3-5, and 7-8
Y	US 6,266,273 B1 (CONLEY ET AL.) 24 July 2001 (24.07.2001), col. 1, lines 8-31	2, 6

Further documents are listed in the continuation of Box C.

See patent family annex.

* Special categories of cited documents:	
"A" document defining the general state of the art which is not considered to be of particular relevance	"T" later document published after the international filing date or priority date and not in conflict with the application but cited to understand the principle or theory underlying the invention
"E" earlier application or patent published on or after the international filing date	"X" document of particular relevance; the claimed invention cannot be considered novel or cannot be considered to involve an inventive step when the document is taken alone
"L" document which may throw doubts on priority claim(s) or which is cited to establish the publication date of another citation or other special reason (as specified)	"Y" document of particular relevance; the claimed invention cannot be considered to involve an inventive step when the document is combined with one or more other such documents, such combination being obvious to a person skilled in the art
"O" document referring to an oral disclosure, use, exhibition or other means	"&" document member of the same patent family
"P" document published prior to the international filing date but later than the priority date claimed	

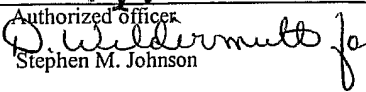
Date of the actual completion of the international search

06 May 2005 (06.05.2005)

Date of mailing of the international search report

97 AUG 2005

Name and mailing address of the ISA/US  
 Mail Stop PCT, Attn: ISA/US  
 Commissioner for Patents  
 P.O. Box 1450  
 Alexandria, Virginia 22313-1450  
 Facsimile No. (703)305-3230

Authorized officer  
  
 Stephen M. Johnson  
 Telephone No. 571-272-6877