



(51) International Patent Classification:
C23C 14/50 (2006.01) C23C 14/04 (2006.01)

(21) International Application Number:
PCT/US2012/068394

(22) International Filing Date:
7 December 2012 (07.12.2012)

(25) Filing Language: English

(26) Publication Language: English

(30) Priority Data:
61/568,353 8 December 2011 (08.12.2011) US

(71) Applicant: **PREXAIR S. T. TECHNOLOGY, INC.**
[US/US]; 441 Sackett Point Road, New Haven, CT 06473 (US).

(72) Inventors: **FEUERSTEIN, Albert**; 12862 Tuscany Blvd, Carmel, IN 46032 (US). **WESTFALL, Andrew, Thomas**; 1286 Silver Ridge Lane, Brownsburg, IN 46112 (US). **LEWIS, Thomas, F.**; 345 W. Cedar Street, Zionsville, IN 46077 (US). **McPHERSON, David, A.**; 6881 N. Cr 725 E., Coatesville, IN 46121 (US). **KLEYMAN, Ardy**;

13510 Spring Farms Dr., Carmel, IN 46032 (US). **LEMEN, Don**; 7655 Moran Ct., Indianapolis, IN 46268 (US).

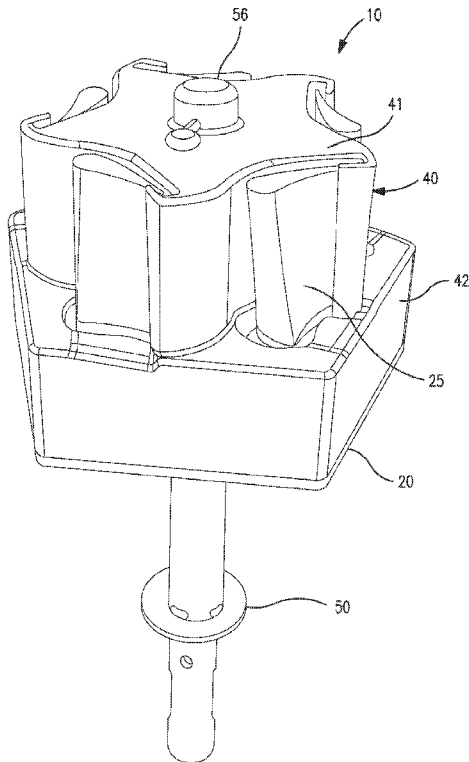
(74) Agents: **DALAL, Nilay S.** et al.; Praxair, Inc., 39 Old Ridgebury Road, Danbury, CT 06810 (US).

(81) Designated States (unless otherwise indicated, for every kind of national protection available): AE, AG, AL, AM, AO, AT, AU, AZ, BA, BB, BG, BH, BN, BR, BW, BY, BZ, CA, CH, CL, CN, CO, CR, CU, CZ, DE, DK, DM, DO, DZ, EC, EE, EG, ES, FI, GB, GD, GE, GH, GM, GT, HN, HR, HU, ID, IL, IN, IS, JP, KE, KG, KM, KN, KP, KR, KZ, LA, LC, LK, LR, LS, LT, LU, LY, MA, MD, ME, MG, MK, MN, MW, MX, MY, MZ, NA, NG, NI, NO, NZ, OM, PA, PE, PG, PH, PL, PT, QA, RO, RS, RU, RW, SC, SD, SE, SG, SK, SL, SM, ST, SV, SY, TH, TJ, TM, TN, TR, TT, TZ, UA, UG, US, UZ, VC, VN, ZA, ZM, ZW.

(84) Designated States (unless otherwise indicated, for every kind of regional protection available): ARIPO (BW, GH, GM, KE, LR, LS, MW, MZ, NA, RW, SD, SL, SZ, TZ, UG, ZM, ZW), Eurasian (AM, AZ, BY, KG, KZ, RU, TJ,

[Continued on next page]

(54) Title: TOOLING FIXTURE ASSEMBLY FOR USE IN A COATING OPERATION



(57) Abstract: A modular, rotisserie type tooling fixture assembly for use in a coating operation and method of its use are disclosed. The tooling fixture assembly includes an arbor or shaft and a retaining base with a plurality of anchor members disposed in a prescribed radial orientation from the center of the retaining base, the anchor members are uniquely configured or adapted to retain a plurality of workpieces to be coated. The tooling fixture assembly further comprises a unique workpiece masking arrangement that employs a unitary masking cap having a plurality of solid walls or surfaces adapted to cover portions of the plurality of workpieces in a masking relationship.





TM), European (AL, AT, BE, BG, CH, CY, CZ, DE, DK, EE, ES, FI, FR, GB, GR, HR, HU, IE, IS, IT, LT, LU, LV, MC, MK, MT, NL, NO, PL, PT, RO, RS, SE, SI, SK, SM, TR), OAPI (BF, BJ, CF, CG, CI, CM, GA, GN, GQ, GW, ML, MR, NE, SN, TD, TG).

Published:

- with international search report (Art. 21(3))
- before the expiration of the time limit for amending the claims and to be republished in the event of receipt of amendments (Rule 48.2(h))

Declarations under Rule 4.17:

- as to applicant's entitlement to apply for and be granted a patent (Rule 4.17(ii))
- as to the applicant's entitlement to claim the priority of the earlier application (Rule 4.17(iii))

(88) Date of publication of the international search report:

1 August 2013

INTERNATIONAL SEARCH REPORT

International application No
PCT/US2012/068394

A. CLASSIFICATION OF SUBJECT MATTER
INV. C23C14/50 C23C14/04
ADD.
According to International Patent Classification (IPC) or to both national classification and IPC

B. FIELDS SEARCHED
Minimum documentation searched (classification system followed by classification symbols)
C23C

Documentation searched other than minimum documentation to the extent that such documents are included in the fields searched

Electronic data base consulted during the international search (name of data base and, where practicable, search terms used)
EPO-Internal, WPI Data

C. DOCUMENTS CONSIDERED TO BE RELEVANT

Category*	Citation of document, with indication, where appropriate, of the relevant passages	Relevant to claim No.
A	EP 2 014 377 A1 (SIEMENS AG [DE]) 14 January 2009 (2009-01-14) the whole document	1,15
A	WO 2007/008972 A1 (PRAXAIR TECHNOLOGY INC [US]; SHARP DAVID [US]; FEUERSTEIN ALBERT [US];) 18 January 2007 (2007-01-18) cited in the application page 8, paragraph 23 - page 10, paragraph 28 page 16, paragraph 45 figures 2-4	1,15
A	EP 0 953 656 A2 (UNITED TECHNOLOGIES CORP [US]) 3 November 1999 (1999-11-03) cited in the application the whole document	1,15

Further documents are listed in the continuation of Box C.

See patent family annex.

* Special categories of cited documents :

- "A" document defining the general state of the art which is not considered to be of particular relevance
- "E" earlier application or patent but published on or after the international filing date
- "L" document which may throw doubts on priority claim(s) or which is cited to establish the publication date of another citation or other special reason (as specified)
- "O" document referring to an oral disclosure, use, exhibition or other means
- "P" document published prior to the international filing date but later than the priority date claimed

- "T" later document published after the international filing date or priority date and not in conflict with the application but cited to understand the principle or theory underlying the invention
- "X" document of particular relevance; the claimed invention cannot be considered novel or cannot be considered to involve an inventive step when the document is taken alone
- "Y" document of particular relevance; the claimed invention cannot be considered to involve an inventive step when the document is combined with one or more other such documents, such combination being obvious to a person skilled in the art
- "&" document member of the same patent family

Date of the actual completion of the international search 29 May 2013	Date of mailing of the international search report 13/06/2013
--	--

Name and mailing address of the ISA/ European Patent Office, P.B. 5818 Patentlaan 2 NL - 2280 HV Rijswijk Tel. (+31-70) 340-2040, Fax: (+31-70) 340-3016	Authorized officer Joffreau, P
--	---------------------------------------

INTERNATIONAL SEARCH REPORT

Information on patent family members

International application No

PCT/US2012/068394

Patent document cited in search report	Publication date	Patent family member(s)	Publication date
EP 2014377	A1	14-01-2009	NONE

WO 2007008972	A1	18-01-2007	BR PI0613524 A2 18-01-2011
			CA 2614924 A1 18-01-2007
			CN 101243203 A 13-08-2008
			EP 1907598 A1 09-04-2008
			JP 2009501278 A 15-01-2009
			US 2010189559 A1 29-07-2010
			US 2010272894 A1 28-10-2010
			WO 2007008972 A1 18-01-2007

EP 0953656	A2	03-11-1999	EP 0953656 A2 03-11-1999
			JP 3288332 B2 04-06-2002
			JP H11350135 A 21-12-1999
			US 5997947 A 07-12-1999
