

(19) World Intellectual Property Organization
International Bureau



(43) International Publication Date
26 March 2009 (26.03.2009)

PCT

(10) International Publication Number
WO 2009/037640 A3

- (51) International Patent Classification:
A61F 2/04 (2006.01) A61F 2/02 (2006.01)
- (21) International Application Number:
PCT/IB2008/053755
- (22) International Filing Date:
16 September 2008 (16.09.2008)
- (25) Filing Language: English
- (26) Publication Language: English
- (30) Priority Data:
60/994,664 20 September 2007 (20.09.2007) US
12/206,480 8 September 2008 (08.09.2008) US
- (71) Applicant (for all designated States except US): **KIMBERLY-CLARK WORLDWIDE, INC.** [US/US]; 401 N. Lake Street, Neenah, Wisconsin 54956 (US).
- (72) Inventors; and
- (75) Inventors/Applicants (for US only): **CUEVAS, Brian, J.** [US/US]; 3655 Wake Robin Way, Cumming, Georgia 30040 (US). **SCHUMACHER, James, F.** [US/US];

- 2590 Hillandale Circle, Cumming, GA 30041 (US). **KENOWSKI, Michael, A.** [US/US]; 5040 Walnut Creek Trail, Alpharetta, GA 30005 (US). **TEIXEIRA, Scott, M.** [US/US]; 5125 Trailing Fox Drive, Cumming, GA 30040 (US).
- (74) Agents: **ROBINSON, James, B.** et al.; Kimberly-clark Worldwide, Inc., 401 N. Lake Street, Neenah, Wisconsin 54956 (US).
- (81) Designated States (unless otherwise indicated, for every kind of national protection available): AE, AG, AL, AM, AO, AT, AU, AZ, BA, BB, BG, BH, BR, BW, BY, BZ, CA, CH, CN, CO, CR, CU, CZ, DE, DK, DM, DO, DZ, EC, EE, EG, ES, FI, GB, GD, GE, GH, GM, GT, HN, HR, HU, ID, IL, IN, IS, JP, KE, KG, KM, KN, KP, KR, KZ, LA, LC, LK, LR, LS, LT, LU, LY, MA, MD, ME, MG, MK, MN, MW, MX, MY, MZ, NA, NG, NI, NO, NZ, OM, PG, PH, PL, PT, RO, RS, RU, SC, SD, SE, SG, SK, SL, SM, ST, SV, SY, TJ, TM, TN, TR, TT, TZ, UA, UG, US, UZ, VC, VN, ZA, ZM, ZW.
- (84) Designated States (unless otherwise indicated, for every kind of regional protection available): ARIPO (BW, GH,

[Continued on next page]

(54) Title: A TUBULAR WORKPIECE FOR PRODUCING AN IMPROVED BALLOON CUFF TRACHEOSTOMY TUBE

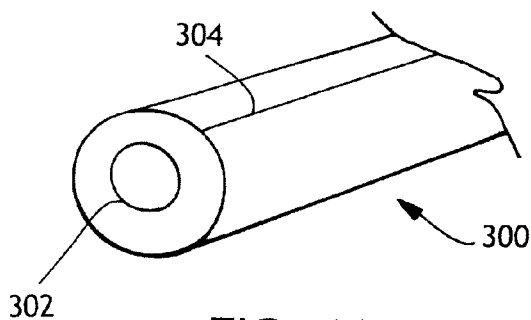


FIG. 1A

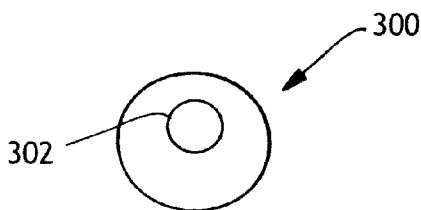


FIG. 1B

(57) Abstract: There is provided a tubular workpiece for blow-molding into an inflatable balloon component. The tubular workpiece is a raw tube having a lumen and composed of a thermoplastic polymer, the tube having an asymmetric wall thickness such that when the tube is preheated in a mold to a temperature sufficient to soften the material of the tube and inflated with a gas to generally uniformly stretch the material of the tube, the tube forms a balloon component. The balloon may be non-uniform in wall thickness depending on the type of mold used. The balloon may be attached according to conventional means to a hollow tube to produce a tracheostomy device.



WO 2009/037640 A3



GM, KE, LS, MW, MZ, NA, SD, SL, SZ, TZ, UG, ZM, ZW), Eurasian (AM, AZ, BY, KG, KZ, MD, RU, TJ, TM), European (AT, BE, BG, CH, CY, CZ, DE, DK, EE, ES, FI, FR, GB, GR, HR, HU, IE, IS, IT, LT, LU, LV, MC, MT, NL, NO, PL, PT, RO, SE, SI, SK, TR), OAPI (BF, BJ, CF, CG, CI, CM, GA, GN, GQ, GW, ML, MR, NE, SN, TD, TG).

Published:

- *with international search report*
- *before the expiration of the time limit for amending the claims and to be republished in the event of receipt of amendments*

(88) Date of publication of the international search report:

18 June 2009

A. CLASSIFICATION OF SUBJECT MATTER*A61F 2/04(2006.01)i, A61F 2/02(2006.01)i*

According to International Patent Classification (IPC) or to both national classification and IPC

B. FIELDS SEARCHED

Minimum documentation searched (classification system followed by classification symbols)

IPC: A61F 2/04, A61F 2/02

Documentation searched other than minimum documentation to the extent that such documents are included in the fields searched

Korean Utility models and applications for Utility models since 1975

Japanese Utility models and applications for Utility models since 1975

Electronic data base consulted during the international search (name of data base and, where practicable, search terms used)

eKIPASS(KIPO internal) & keywords : tracheostomy, tube, balloon, trach tube, thermoplastic polymer

C. DOCUMENTS CONSIDERED TO BE RELEVANT

Category*	Citation of document, with indication, where appropriate, of the relevant passages	Relevant to claim No.
A	US 6612305 B2 (DARIO O. FAUZA) 2 September 2003 See Abstract; Figs. 1-3; Col. 3 Line 24-Col.4 Line 11	1-15
A	US 4886059 A (ROLAND E. WEBSTER) 12 December 1989 See Abstract; Figs.4-6; Col. 5 Line 58-Col.6 Line 28	1-15
A	US 5653230 A (PASQUALE CIAGLIA and FRANK J. FISCHER, JR) 5 August 1997 See Abstract; Figs. 1-2, 5-6	1-15
A	US 6286509 B1 (JOHN EDWARD NASH et al.) 11 September 2001 See Abstract; Figs. 1-6; Col. 2 Lines 19-67	1-15
A	US 2005/0166926 A1 (HIROAKI NOMORI) 4 August 2005 See Abstract; Figs. 1-2; [0011]-[0018]	1-15

 Further documents are listed in the continuation of Box C. See patent family annex.

* Special categories of cited documents:

"A" document defining the general state of the art which is not considered to be of particular relevance

"E" earlier application or patent but published on or after the international filing date

"L" document which may throw doubts on priority claim(s) or which is cited to establish the publication date of citation or other special reason (as specified)

"O" document referring to an oral disclosure, use, exhibition or other means

"P" document published prior to the international filing date but later than the priority date claimed

"T" later document published after the international filing date or priority date and not in conflict with the application but cited to understand the principle or theory underlying the invention

"X" document of particular relevance; the claimed invention cannot be considered novel or cannot be considered to involve an inventive step when the document is taken alone

"Y" document of particular relevance; the claimed invention cannot be considered to involve an inventive step when the document is combined with one or more other such documents, such combination being obvious to a person skilled in the art

"&" document member of the same patent family

Date of the actual completion of the international search

29 APRIL 2009 (29.04.2009)

Date of mailing of the international search report

29 APRIL 2009 (29.04.2009)

Name and mailing address of the ISA/KR

Korean Intellectual Property Office
Government Complex-Daejeon, 139 Seonsa-ro, Seo-
gu, Daejeon 302-701, Republic of Korea

Facsimile No. 82-42-472-7140

Authorized officer

OH Seung Jae

Telephone No. 82-42-481-8469



INTERNATIONAL SEARCH REPORT

Information on patent family members

International application No.

PCT/IB2008/053755

Patent document cited in search report	Publication date	Patent family member(s)	Publication date
US 6612305 B2	02.09.2003	US 2002-0007833 A1	24.01.2002
US 4886059 A	12.12.1989	CA 1324556 C EP 0420854 A1 EP 0420854 A4 US 4913642 US 5076268 WO 89-12425 A1 AU 1221397 A	23.11.1993 10.04.1991 26.02.1992 03.04.1990 31.12.1991 28.12.1989 24.07.1997
US 5653230 A	05.08.1997	AU 1997-12213 B2 AU 723741 B2 CA 2194925 A1 CA 2194925 C DE 69729339 D1 DE 69729339 T2 EP 0784989 A2 EP 0784989 B1 EP 0784989 A2 EP 0784989 A3 EP 0784989 B1 ES 2221016 T3 JP 09-299377 JP 3924033 B2 JP 9299377 A	24.07.1997 07.09.2000 20.07.1997 25.10.2005 08.07.2004 23.06.2005 23.07.1997 02.06.2004 23.07.1997 22.04.1998 02.06.2004 16.12.2004 25.11.1997 06.06.2007 25.11.1997
US 6286509 B1	11.09.2001	DE 19940159 A1 FR 2782926 A1 FR 2782926 B1 GB 2341102 A GB 9819330 D0 GB 9919547 D0 JP 2000-084082 JP 2000-084082 A	09.03.2000 10.03.2000 28.12.2001 08.03.2000 28.10.1998 20.10.1999 28.03.2000 28.03.2000
US 2005-166926 A1	04.08.2005	None	