

[54] URETHANE PULL KNIFE AND BLADE

[75] Inventor: Peter M. Juziuk, Madison Heights, Mich.

[73] Assignee: Kent-Moore Corporation, Warren, Mich.

[**] Term: 14 Years

[21] Appl. No.: 839

[22] Filed: Jan. 4, 1979

[51] Int. Cl. D8-03

[52] U.S. Cl. D8/98

[58] Field of Search D8/98; 81/314

[56] References Cited

U.S. PATENT DOCUMENTS

| | | | |
|------------|--------|----------------------|---------|
| D. 228,276 | 9/1973 | Bolton | D8/98 |
| D. 236,793 | 9/1975 | Benktzon et al. | D8/98 X |
| 2,542,582 | 2/1951 | Schwork | 30/314 |

3,482,310 12/1969 Paterson 30/314 X

Primary Examiner—Alan P. Douglas
Attorney, Agent, or Firm—Ralph M. Burton

[57] CLAIM

The ornamental design for a urethane pull knife and blade, as shown and described.

DESCRIPTION

FIG. 1 is a perspective view of the urethane pull knife and blade;

FIG. 2 is a side view of the urethane pull knife and blade (the opposite side being of the same appearance);

FIG. 3 is a top view of the urethane pull knife and blade;

FIG. 4 is a front view of the urethane pull knife and blade;

FIG. 5 is a rear view of the urethane pull knife and blade; and

FIG. 6 is a bottom view of the urethane pull knife and blade.

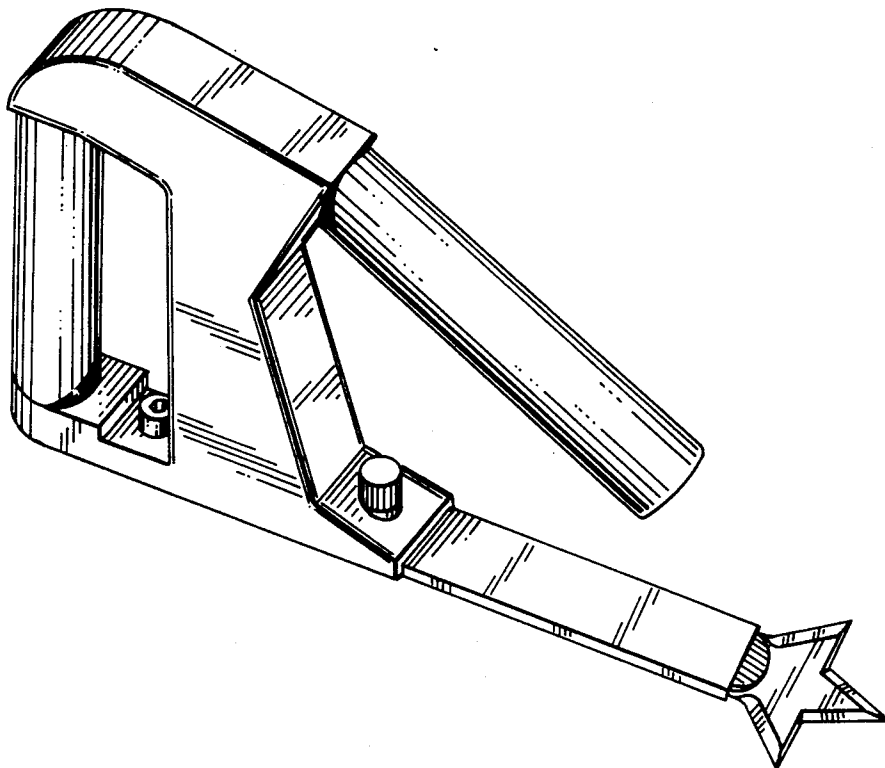


FIG.1

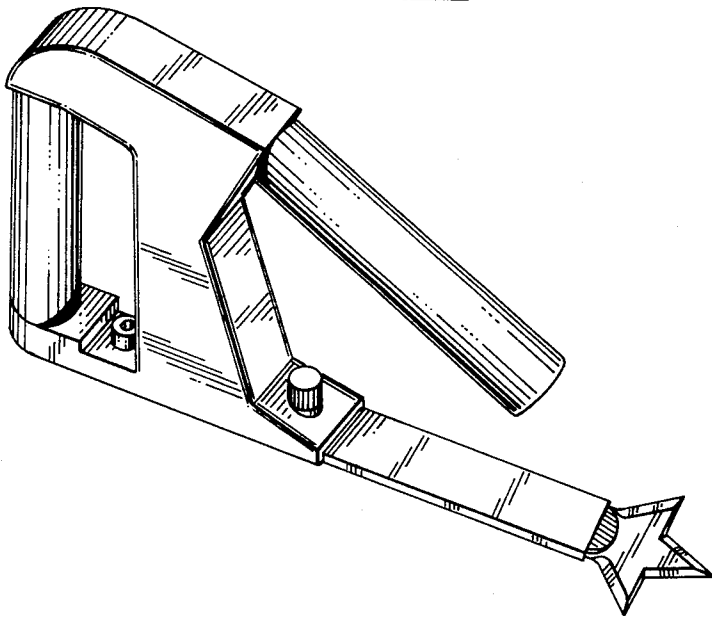


FIG. 2

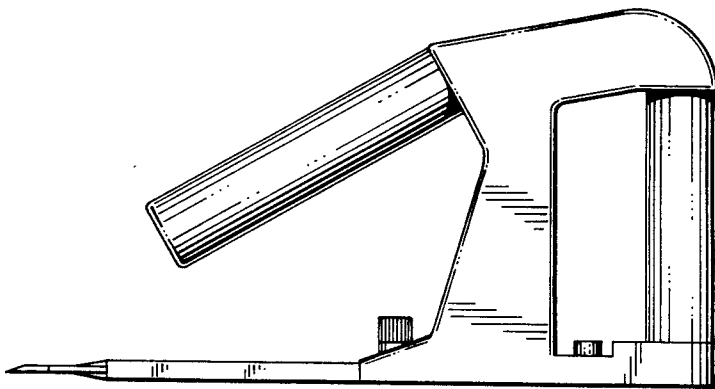


FIG. 3

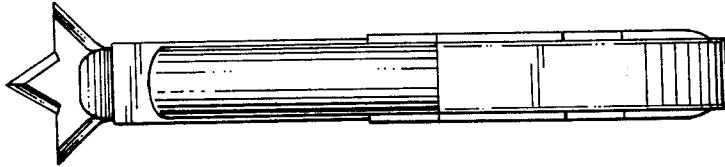


FIG. 4

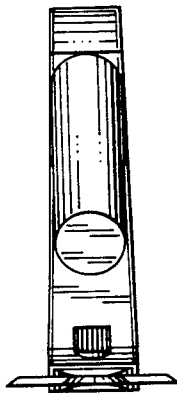


FIG. 5

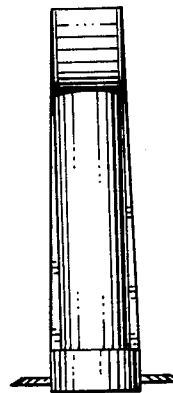


FIG. 6

