



- (51) International Patent Classification:  
A61F 2/34 (2006.01) A61F 2/46 (2006.01)
- (21) International Application Number:  
PCT/US2011/045568
- (22) International Filing Date:  
27 July 2011 (27.07.2011)
- (25) Filing Language: English
- (26) Publication Language: English
- (30) Priority Data:  
61/368,933 29 July 2010 (29.07.2010) US
- (71) Applicant (for all designated States except US): **MAYO FOUNDATION FOR MEDICAL EDUCATION AND RESEARCH** [US/US]; 200 First Street S.W., Rochester, Minnesota 55902 (US).
- (72) Inventors; and
- (75) Inventors/Applicants (for US only): **MORREY, Bernard** [US/US]; 1319 7th Street, SW, Rochester, Minnesota 55902 (US). **AN, Kai-Nan** [US/US]; 685 Itasca Court NW, Rochester, Minnesota 55901 (US). **THORESON, Andrew** [US/US]; 6779 430th Street, Kenyon, Minnesota 55946 (US). **CHEN, Qingshan** [CN/US]; 2212 2nd Avenue SW, Rochester, Minnesota 55902 (US).

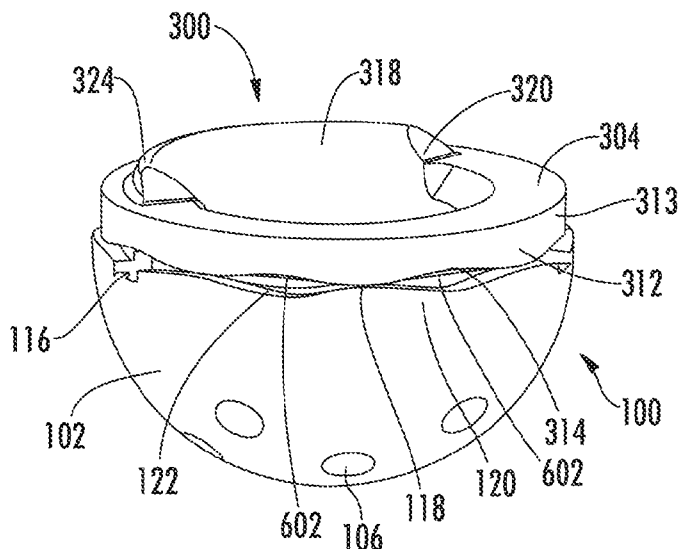
- (74) Agents: **HALL, Miles, E.** et al.; McKeon, Meunier, Carlin & Curfman, LLC, Suite 900, 817 W. Peachtree Street NW, Atlanta, Georgia 30308 (US).
- (81) Designated States (unless otherwise indicated, for every kind of national protection available): AE, AG, AL, AM, AO, AT, AU, AZ, BA, BB, BG, BH, BR, BW, BY, BZ, CA, CH, CL, CN, CO, CR, CU, CZ, DE, DK, DM, DO, DZ, EC, EE, EG, ES, FI, GB, GD, GE, GH, GM, GT, HN, HR, HU, ID, IL, IN, IS, JP, KE, KG, KM, KN, KP, KR, KZ, LA, LC, LK, LR, LS, LT, LU, LY, MA, MD, ME, MG, MK, MN, MW, MX, MY, MZ, NA, NG, NI, NO, NZ, OM, PE, PG, PH, PL, PT, RO, RS, RU, SC, SD, SE, SG, SK, SL, SM, ST, SV, SY, TH, TJ, TM, TN, TR, TT, TZ, UA, UG, US, UZ, VC, VN, ZA, ZM, ZW.
- (84) Designated States (unless otherwise indicated, for every kind of regional protection available): ARIPO (BW, GH, GM, KE, LR, LS, MW, MZ, NA, SD, SL, SZ, TZ, UG, ZM, ZW), Eurasian (AM, AZ, BY, KG, KZ, MD, RU, TJ, TM), European (AL, AT, BE, BG, CH, CY, CZ, DE, DK, EE, ES, FI, FR, GB, GR, HR, HU, IE, IS, IT, LT, LU, LV, MC, MK, MT, NL, NO, PL, PT, RO, RS, SE, SI, SK, SM, TR), OAPI (BF, BJ, CF, CG, CI, CM, GA, GN, GQ, GW, ML, MR, NE, SN, TD, TG).

**Declarations under Rule 4.17:**

— of inventorship (Rule 4.17(iv))

[Continued on next page]

(54) Title: ACETABULAR CUP PROSTHESIS



**FIG. 5A**

(57) Abstract: Provided are acetabular cup implant assemblies that can be used in hip replacement surgery. Example assemblies comprise a shell and a liner. The liner can be positioned within a shell. Optionally, the liner can be rotated relative to the shell until the liner is seated in the shell in a position where the liner and shell can be secured to one another. Waveform-shaped features of the shell and liner can guide the relative rotation of the liner and shell. Also provided are methods of seating a liner in shell of an acetabular cup implant assembly

WO 2012/015945 A3

**Published:**

**(88) Date of publication of the international search report:**

24 May 2012

- *with international search report (Art. 21(3))*
- *before the expiration of the time limit for amending the claims and to be republished in the event of receipt of amendments (Rule 48.2(h))*

**A. CLASSIFICATION OF SUBJECT MATTER***A61F 2/34(2006.01)i, A61F 2/46(2006.01)i*

According to International Patent Classification (IPC) or to both national classification and IPC

**B. FIELDS SEARCHED**

Minimum documentation searched (classification system followed by classification symbols)

A61F 2/34; A61F 2/40; A61B 17/58; A61B 17/92

Documentation searched other than minimum documentation to the extent that such documents are included in the fields searched

Korean utility models and applications for utility models

Japanese utility models and applications for utility models

Electronic data base consulted during the international search (name of data base and, where practicable, search terms used)

eKOMPASS(KIPO internal)

**C. DOCUMENTS CONSIDERED TO BE RELEVANT**

Category*	Citation of document, with indication, where appropriate, of the relevant passages	Relevant to claim No.
A	US 2010-0049327 A1 (ISCH BRYCE A. et al.) 25 February 2010 See the paragraphs 0040, 0042, 0049 and Figs. 2-5,9.	31-33
A	US 05976148A A (CHARPENET; REMY et al.) 02 November 1999 See Fig.1.	31-33
A	US 2007-0106391 A1 (Biomet Manufacturing Corp.) 10 May 2007 See the paragraphs 0024-0029 and Fig.1.	1-6,25-30
X	US 05310408A A (SCHRYVER; JEFF et al.) 10 May 1994 See Fig.3 and col.8, lines 9-21.	1,2,25,26
A	US 05989293A A (COOK; KEVIN S. et al.) 23 November 1999 See the abstract.	1-6,25-33

 Further documents are listed in the continuation of Box C. See patent family annex.

\* Special categories of cited documents:

"A" document defining the general state of the art which is not considered to be of particular relevance

"E" earlier application or patent but published on or after the international filing date

"L" document which may throw doubts on priority claim(s) or which is cited to establish the publication date of citation or other special reason (as specified)

"O" document referring to an oral disclosure, use, exhibition or other means

"P" document published prior to the international filing date but later than the priority date claimed

"T" later document published after the international filing date or priority date and not in conflict with the application but cited to understand the principle or theory underlying the invention

"X" document of particular relevance; the claimed invention cannot be considered novel or cannot be considered to involve an inventive step when the document is taken alone

"Y" document of particular relevance; the claimed invention cannot be considered to involve an inventive step when the document is combined with one or more other such documents, such combination being obvious to a person skilled in the art

"&amp;" document member of the same patent family

Date of the actual completion of the international search

15 MARCH 2012 (15.03.2012)

Date of mailing of the international search report

**16 MARCH 2012 (16.03.2012)**

Name and mailing address of the ISA/KR

Korean Intellectual Property Office  
Government Complex-Daejeon, 189 Cheongsa-ro,  
Seo-gu, Daejeon 302-701, Republic of Korea

Facsimile No. 82-42-472-7140

Authorized officer

KIM, MYEONG HEE

Telephone No. 82-42-481-8160





**INTERNATIONAL SEARCH REPORT**

Information on patent family members

International application No.

**PCT/US2011/045568**

Patent document cited in search report	Publication date	Patent family member(s)	Publication date
US 2010-0049327 A1	25.02.2010	AU 2008-223409 A1	12.09.2008
		CN 101677859 A	24.03.2010
		EP 2136740 A1	30.12.2009
		JP 2010-520027 A	10.06.2010
		JP 2010-520027 T	10.06.2010
		US 2008-0221699 A1	11.09.2008
		US 2011-184424 A1	28.07.2011
		US 7572294 B2	11.08.2009
		US 7918895 B2	05.04.2011
		WO 2008-109143 A1	12.09.2008
US 05976148A A	02.11.1999	EP 0841042 A1	13.05.1998
US 2007-0106391 A1	10.05.2007	US 8002842 B2	23.08.2011
US 05310408A A	10.05.1994	CA 2143440 C	13.01.2004
		EP 0499475 A2	19.08.1992
		EP 0499475 A3	13.01.1993
		EP 0499475 B1	21.08.1996
		EP 0682507 A1	22.11.1995
		EP 0682507 A1	17.11.1999
		EP 0682507 A4	08.08.1995
		EP 0682507 B1	07.06.2000
		JP 03-719713 B2	24.11.2005
		JP 05-068690 A	23.03.1993
		JP 08-502906 A	02.04.1996
		US 05226917A A	13.07.1993
		US 05314487A A	24.05.1994
US 5310408 B1	11.02.1997		
WO 94-05234 A1	17.03.1994		
US 05989293A A	23.11.1999	None	

This ISA found multiple inventions as follows:

Group (1) Claims 1–6, 25–30 directed to an acetabular cup implant and a method of seating a liner for an acetabular prosthetic assembly within its complementary shell, comprising providing an acetabular cup assembly. The acetabular cup implant comprises a shell having an outer and an inner shells, a shell opening, and a rim having a waveform shape; a liner having an outer and an inner liner surface, a liner opening, and a rim having a waveform shape.

Group (2) Claims 31–33 directed to an acetabular cup implant, comprising: a liner having an outer and an inner liner surfaces and a liner opening; and a shell having an outer and an inner shell surfaces, a shell opening; at least one slot having an opening defined by the outer shell surface and a portion of the liner.

The same special technical feature between the Groups (1) and (2) is an acetabular cup implant, comprising: a shell having an outer and an inner shells, and a shell opening; a liner having an outer and an inner liner surface, a liner opening. However, this special technical feature is a well known structure of an acetabular cup implant in the art. Thus, there is no technical relationship left over the prior art between the Groups (1) and (2) leaving the said groups without a single general inventive concept. Hence, there is lack of unity "a posteriori".(PCT Rules 13.1 and 13.2)