

(19) World Intellectual Property
Organization
International Bureau



(43) International Publication Date
4 December 2003 (04.12.2003)

PCT

(10) International Publication Number
WO 2003/100503 A3

(51) International Patent Classification⁷: G02C 11/06

GM, HR, HU, ID, IL, IN, IS, JP, KE, KG, KP, KR, KZ, LC, LK, LR, LS, LT, LU, LV, MA, MD, MG, MK, MN, MW, MX, MZ, NO, NZ, OM, PH, PL, PT, RO, RU, SC, SD, SE, SG, SK, SL, TJ, TM, TN, TR, TT, TZ, UA, UG, US, UZ, VC, VN, YU, ZA, ZM, ZW.

(21) International Application Number:
PCT/IT2003/000307

(22) International Filing Date: 21 May 2003 (21.05.2003)

(25) Filing Language: English

(26) Publication Language: English

(30) Priority Data:
FI2002U000058 24 May 2002 (24.05.2002) IT

(84) Designated States (*regional*): ARIPO patent (GH, GM, KE, LS, MW, MZ, SD, SL, SZ, TZ, UG, ZM, ZW), Eurasian patent (AM, AZ, BY, KG, KZ, MD, RU, TJ, TM), European patent (AT, BE, BG, CH, CY, CZ, DE, DK, EE, ES, FI, FR, GB, GR, HU, IE, IT, LU, MC, NL, PT, RO, SE, SI, SK, TR), OAPI patent (BF, BJ, CF, CG, CI, CM, GA, GN, GQ, GW, ML, MR, NE, SN, TD, TG).

Published:

- with international search report
- before the expiration of the time limit for amending the claims and to be republished in the event of receipt of amendments

(71) Applicant and
(72) Inventor: POLIDORI, Franco [IT/IT]; 14, Via Meucci, I-50053 Empoli (IT).

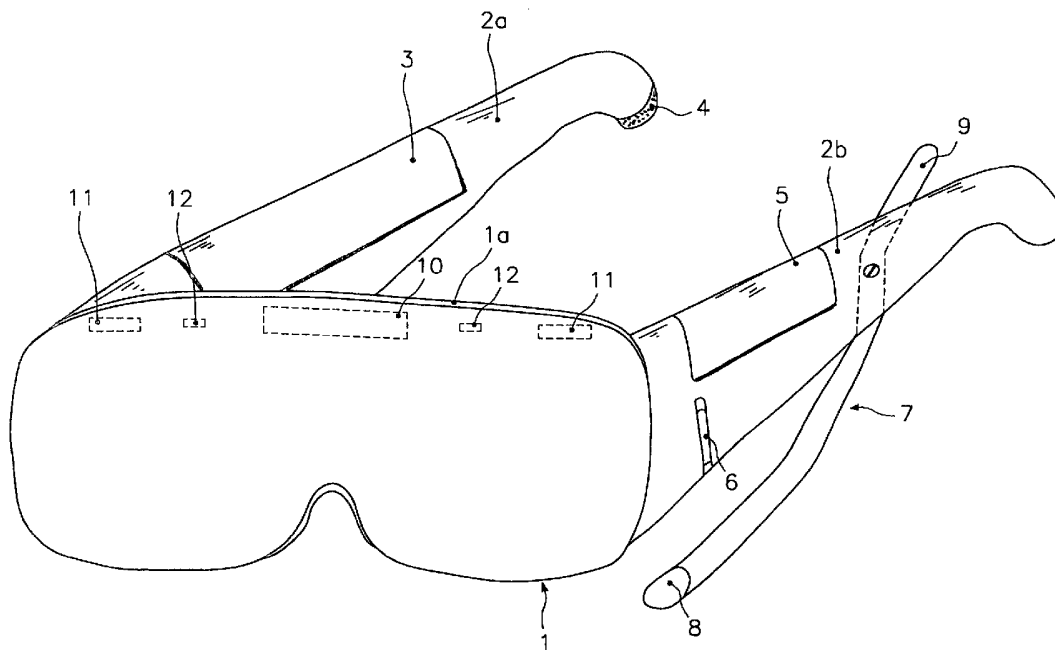
(74) Agents: BARDINI, Marco, Luigi et al.; Società Italiana Brevetti S.p.A., 25, Corso dei Tintori, I-50122 Firenze (IT).

(88) Date of publication of the international search report:
15 January 2004

(81) Designated States (*national*): AE, AG, AL, AM, AT, AU, AZ, BA, BB, BG, BR, BY, BZ, CA, CH, CN, CO, CR, CU, CZ, DE, DK, DM, DZ, EC, EE, ES, FI, GB, GD, GE, GH,

For two-letter codes and other abbreviations, refer to the "Guidance Notes on Codes and Abbreviations" appearing at the beginning of each regular issue of the PCT Gazette.

(54) Title: EYEWEAR AND MOBILE PHONE ASSEMBLY



(57) Abstract: An eyewear with a mounting comprising a front frame (1) and two sidepieces (2a, 2b) connected to the front frame (1), comprises the components of a mobile telephone, housed in, or built-in with, the mounting. The sidepieces (2a, 2b) have a box-like structure, with a cross-section suitable for housing, respectively, a hardware control unit of the telephone, and an extractable power supply battery (5) with a recharge plug (6), the unit and the battery (5) being mutually wired by means of circuitry extending along the top edge (1a) of the front frame (1).

WO 2003/100503 A3

INTERNATIONAL SEARCH REPORT

International Application No
PCT/EP 03/00307

A. CLASSIFICATION OF SUBJECT MATTER
IPC 7 G02C11/06

According to International Patent Classification (IPC) or to both national classification and IPC

B. FIELDS SEARCHED

Minimum documentation searched (classification system followed by classification symbols)
IPC 7 G02C

Documentation searched other than minimum documentation to the extent that such documents are included in the fields searched

Electronic data base consulted during the international search (name of data base and, where practical, search terms used)

EPO-Internal, WPI Data, PAJ

C. DOCUMENTS CONSIDERED TO BE RELEVANT

Category *	Citation of document, with indication, where appropriate, of the relevant passages	Relevant to claim No.
X	US 6 349 001 B1 (SPITZER MARK B) 19 February 2002 (2002-02-19) column 1, line 55 -column 3, line 21 column 9, line 49 -column 10, line 35	1-5, 9-11
X	WO 00 70390 A (MARCOLIN S P A ;COFFEN MARCOLIN MAURIZIO (IT)) 23 November 2000 (2000-11-23) page 2, line 12 -page 4, line 2	1, 5, 7, 8
A	EP 1 049 310 A (DA RIN DE NICOLO LIBERO ;POL ANDREA DE (IT)) 2 November 2000 (2000-11-02) column 2, line 4 -column 6, line 7	1-11

Further documents are listed in the continuation of box C.

Patent family members are listed in annex.

* Special categories of cited documents :

- *A* document defining the general state of the art which is not considered to be of particular relevance
- *E* earlier document but published on or after the international filing date
- *L* document which may throw doubts on priority claim(s) or which is cited to establish the publication date of another citation or other special reason (as specified)
- *O* document referring to an oral disclosure, use, exhibition or other means
- *P* document published prior to the international filing date but later than the priority date claimed

- *T* later document published after the international filing date or priority date and not in conflict with the application but cited to understand the principle or theory underlying the invention
- *X* document of particular relevance; the claimed invention cannot be considered novel or cannot be considered to involve an inventive step when the document is taken alone
- *Y* document of particular relevance; the claimed invention cannot be considered to involve an inventive step when the document is combined with one or more other such documents, such combination being obvious to a person skilled in the art.
- *Z* document member of the same patent family

Date of the actual completion of the international search

5 November 2003

Date of mailing of the international search report

12/11/2003

Name and mailing address of the ISA

European Patent Office, P.B. 5818 Patentlaan 2
NL - 2280 HV Rijswijk
Tel. (+31-70) 340-2040, Tx. 31 651 epo nl,
Fax: (+31-70) 340-3016

Authorized officer

CALLEWAERT, H

INTERNATIONAL SEARCH REPORT
 on patent family members

International Application No
 PCT/JP 03/00307

Patent document cited in search report		Publication date	Patent family member(s)	Publication date
US 6349001	B1	19-02-2002	US 6091546 A	18-07-2000
			CA 2307869 A1	14-05-1999
			CA 2307877 A1	14-05-1999
			EP 1027626 A1	16-08-2000
			EP 1027627 A1	16-08-2000
			JP 2001522063 T	13-11-2001
			JP 2001522064 T	13-11-2001
			WO 9923524 A1	14-05-1999
			WO 9923525 A1	14-05-1999
			US 6023372 A	08-02-2000
			US 6204974 B1	20-03-2001
			US 6356392 B1	12-03-2002
			US 6384982 B1	07-05-2002
WO 0070390	A	23-11-2000	IT M0990105 A1	14-11-2000
			AU 4309700 A	05-12-2000
			WO 0070390 A1	23-11-2000
EP 1049310	A	02-11-2000	EP 1049310 A1	02-11-2000