



US00D764205S

(12) **United States Design Patent**
Macari et al.

(10) **Patent No.:** **US D764,205 S**

(45) **Date of Patent:** **** Aug. 23, 2016**

- (54) **PLATFORM FOR PLANTS**
- (71) Applicant: **Clean Roots, Inc.**, Greene, RI (US)
- (72) Inventors: **Alfred Antonio Macari**, Greene, RI (US); **Joseph Anthony Lupo**, Warwick, RI (US)
- (73) Assignee: **CLEAN ROOTS, LLC**, Greene, RI (US)
- (**) Term: **14 Years**
- (21) Appl. No.: **29/519,776**
- (22) Filed: **Mar. 7, 2015**
- (51) **LOC (10) Cl.** **11-02**
- (52) **U.S. Cl.**
USPC **D6/403**
- (58) **Field of Classification Search**
USPC D6/403–405, 556–558; D11/143–156, D11/164; D7/545, 584, 587; 47/67
CPC A01G 9/02; A01G 9/021; A01G 9/023; A01G 9/024; A01G 9/028; A01G 9/04; A01G 9/042; A01G 9/14
See application file for complete search history.

D408,227 S *	4/1999	Swann, Jr.	D7/624.1
D422,174 S *	4/2000	Eklind	D7/388
D463,159 S *	9/2002	Waggoner	D6/403
D505,564 S *	5/2005	Wagner	D6/403
D577,159 S *	9/2008	Hasapoglou	D30/128
D615,450 S *	5/2010	Cherem	D11/143
7,958,670 B2 *	6/2011	Kamau	A01G 9/02 47/66.1
8,033,420 B2 *	10/2011	Roseblade	A47G 19/2211 220/369
D698,182 S *	1/2014	Schall	D6/403
8,950,113 B1 *	2/2015	Schall	B65D 19/18 220/533
D726,585 S *	4/2015	Schall	D11/155
D741,743 S *	10/2015	Steier	D11/164
D743,298 S *	11/2015	Macari	D11/152
D746,955 S *	1/2016	Corder	D23/261
2015/0007497 A1 *	1/2015	Delp, II	A01G 9/04 47/66.7

* cited by examiner

Primary Examiner — Elizabeth Albert

(74) *Attorney, Agent, or Firm* — Adler Pollock & Sheehan P.C.; Daniel J. Holmander, Esq.; George N. Chacras, Esq.

(57) **CLAIM**

The ornamental design for a platform for plants, as shown and described.

DESCRIPTION

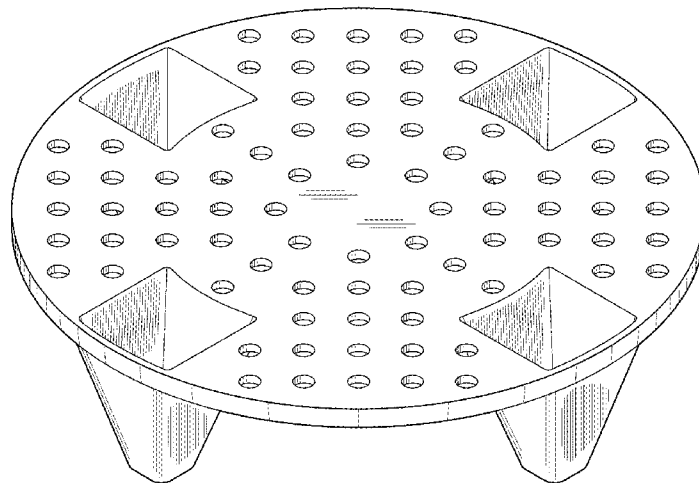
FIG. 1 is a front perspective view of the platform for plants; FIG. 2 is a rear perspective view of the platform for plants of FIG. 1; FIG. 3 is a top perspective view of the platform for plants of FIG. 1; FIG. 4 is a front view of the platform for plants of FIG. 1; FIG. 5 is a side view of the platform for plants of FIG. 1; FIG. 6 is a top view of the platform for plants of FIGS. 1; and, FIG. 7 is a bottom view of the platform for plants of FIG. 1. The broken lines in FIG. 3 are included for the purpose of showing environmental matter that forms no part of the claimed design.

1 Claim, 7 Drawing Sheets

(56) **References Cited**

U.S. PATENT DOCUMENTS

515,032 A *	2/1894	Vestal	A01G 9/104 47/73
D33,478 S *	10/1900	Kelly	D7/409
903,227 A *	11/1908	Pruden	A47G 7/00 206/216
2,880,953 A *	4/1959	Dicks	B44D 3/14 248/210
D195,475 S *	6/1963	Swatt	D7/388
D241,875 S *	10/1976	Insalaco	D11/164
5,375,370 A *	12/1994	Zimmerman	A47G 7/07 248/188
5,467,555 A *	11/1995	Ripley, Sr.	E01C 13/083 220/7
D365,541 S *	12/1995	Hirsch	D11/164



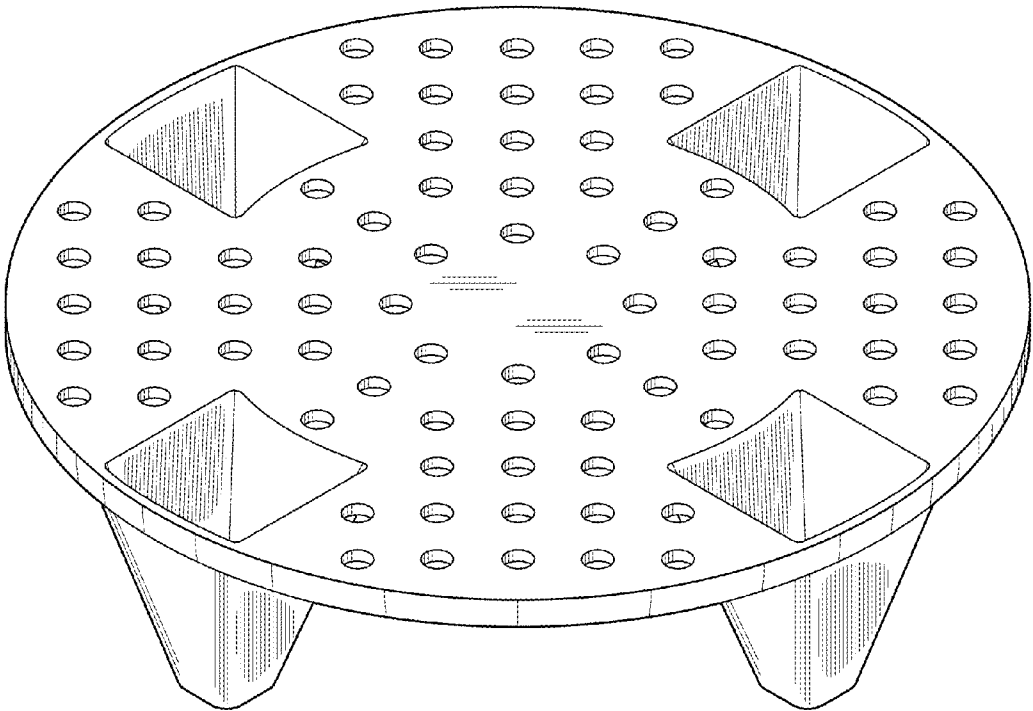


Fig. 1

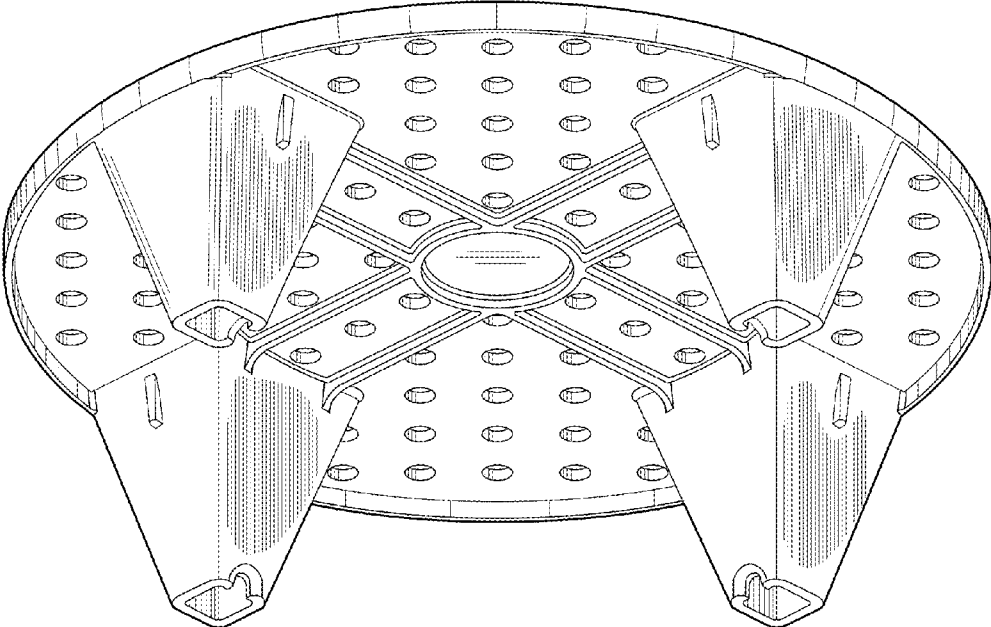


Fig. 2

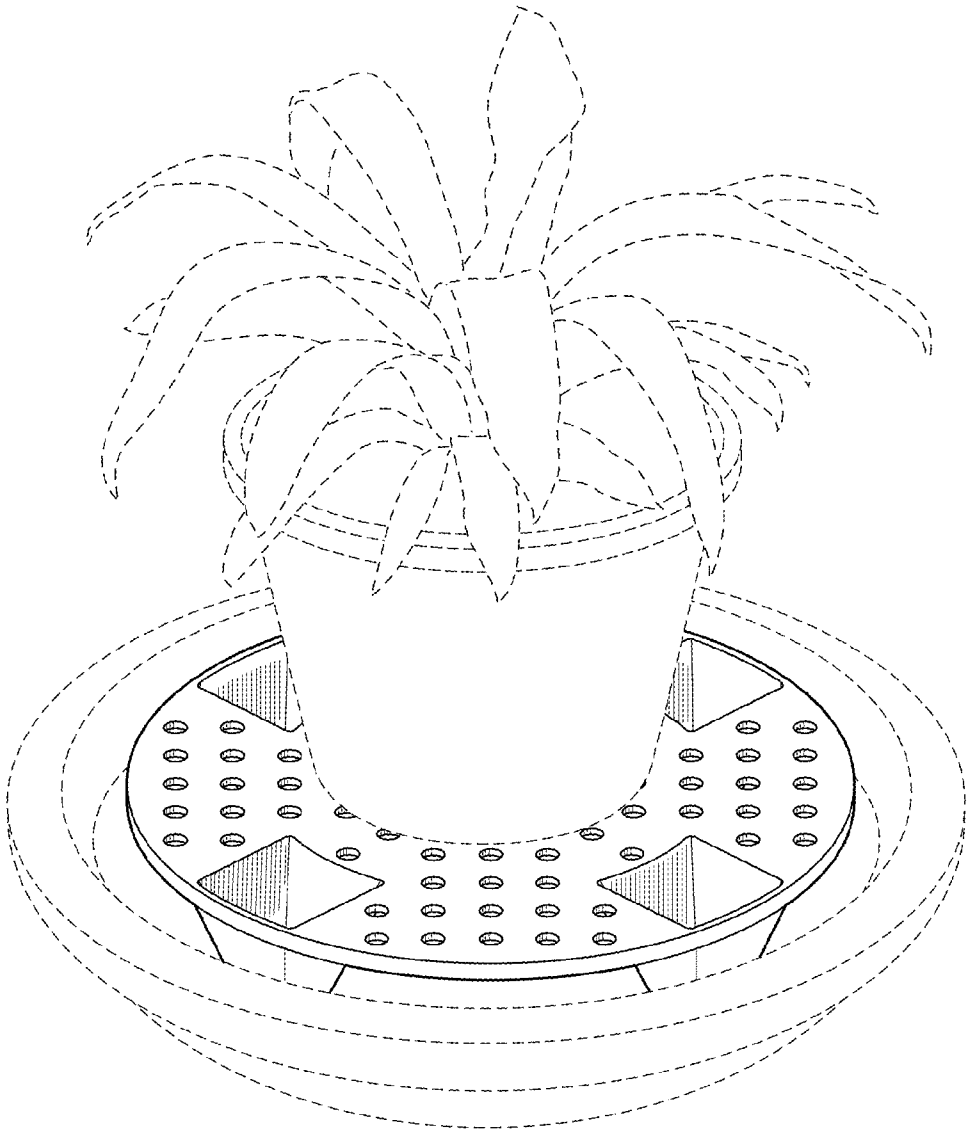


Fig. 3

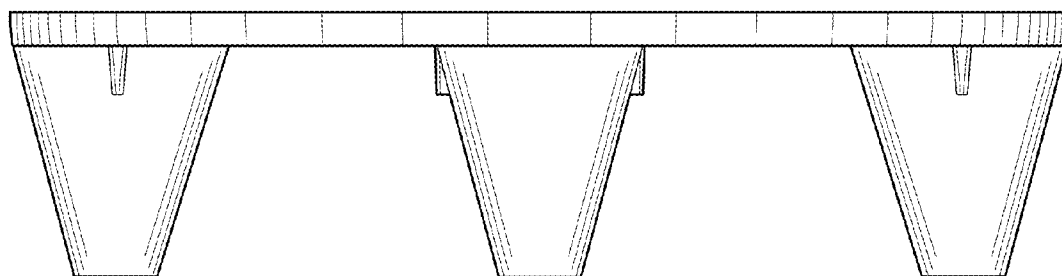


Fig. 4



Fig. 5

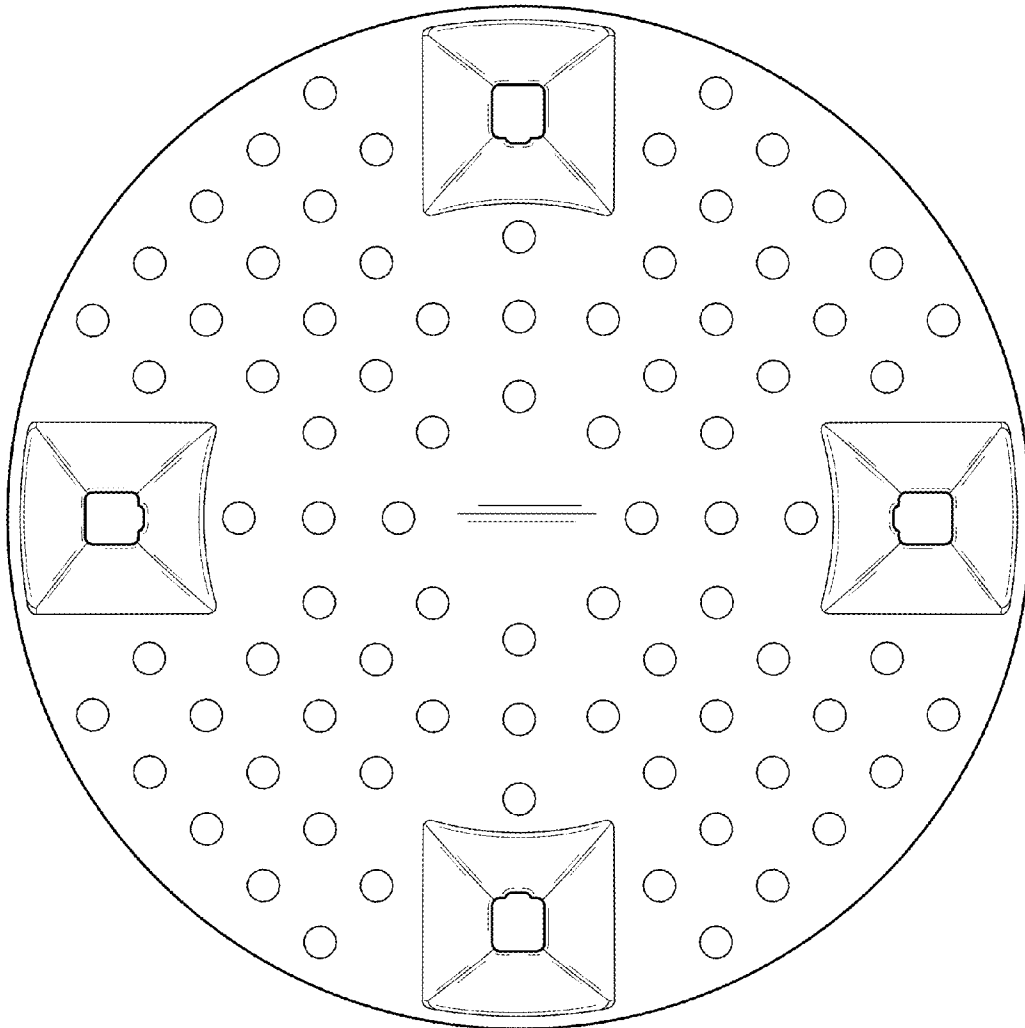


Fig. 6

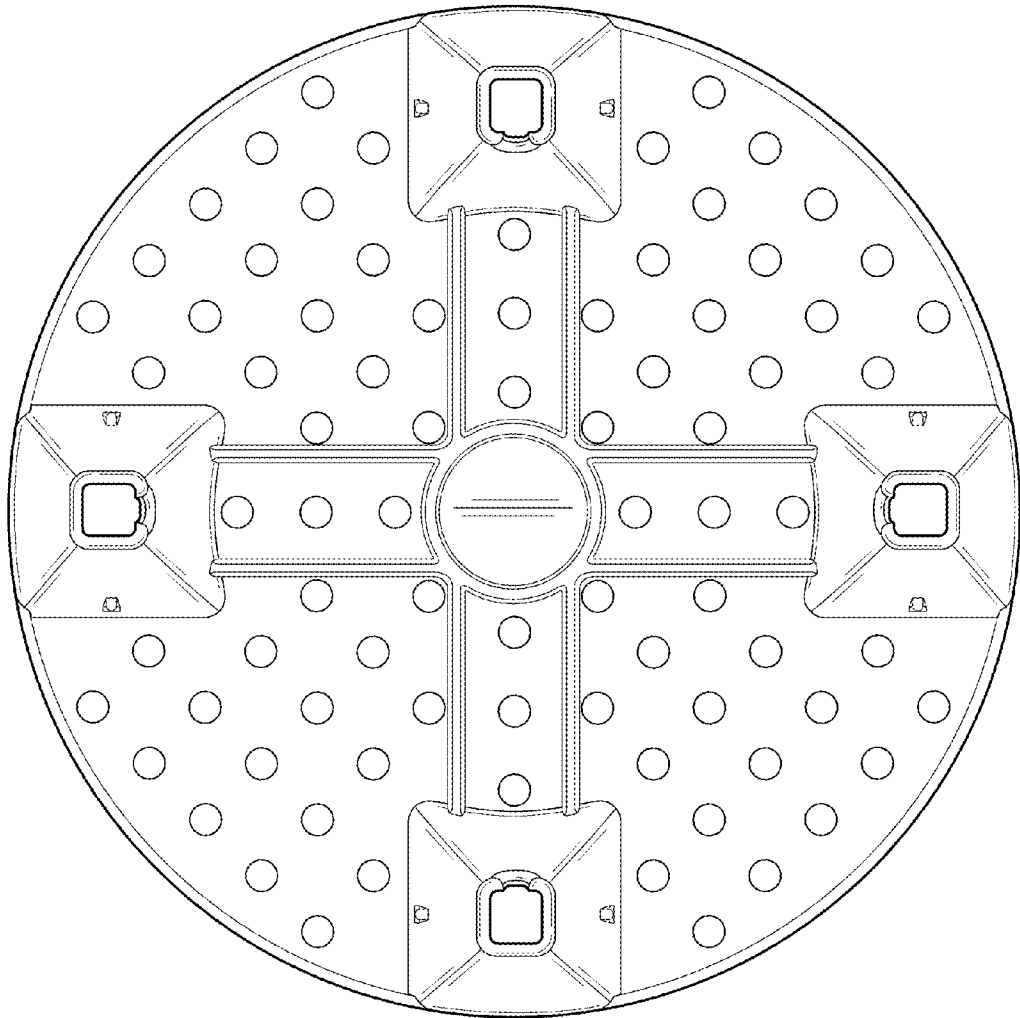


Fig. 7