



US00D531671S

(12) **United States Design Patent**  
**Chan**

(10) **Patent No.:** **US D531,671 S**

(45) **Date of Patent:** **\*\* Nov. 7, 2006**

(54) **GLOBE**

(75) Inventor: **Raymond Chan**, Hong Kong (CN)

(73) Assignee: **IDT Electronics Products Limited**,  
Kowloon (HK)

(\*\*) Term: **14 Years**

(21) Appl. No.: **29/237,587**

(22) Filed: **Sep. 2, 2005**

(51) **LOC (8) Cl.** ..... **19-07**

(52) **U.S. Cl.** ..... **D19/61**

(58) **Field of Classification Search** ..... D19/59-64;  
434/130-132, 136, 140, 142, 147; 362/809  
See application file for complete search history.

(56) **References Cited**

**U.S. PATENT DOCUMENTS**

1,894,854 A	*	1/1933	Levinus	.....	434/131
2,368,347 A	*	1/1945	Colberg	.....	434/131
2,379,468 A	*	7/1945	Arnold	.....	434/145
2,958,959 A	*	11/1960	Hubbard	.....	434/131
2,967,358 A	*	1/1961	Fay et al.	.....	434/140
3,016,629 A	*	1/1962	Case	.....	434/147
3,052,993 A	*	9/1962	Olson	.....	434/140
D281,983 S	*	12/1985	Yasufuku	.....	D19/61
D376,818 S	*	12/1996	Graham et al.	.....	D19/61

5,931,677 A	*	8/1999	Rifat et al.	.....	434/131
D416,044 S	*	11/1999	Martin	.....	D19/61
6,299,451 B1	*	10/2001	Davila	.....	434/142
D458,967 S	*	6/2002	Ho	.....	D19/61
D464,678 S	*	10/2002	Chan	.....	D19/61

\* cited by examiner

*Primary Examiner*—Robert A. Delehanty

*Assistant Examiner*—Mark Cavanna

(74) *Attorney, Agent, or Firm*—Alix, Yale & Ristas, LLP

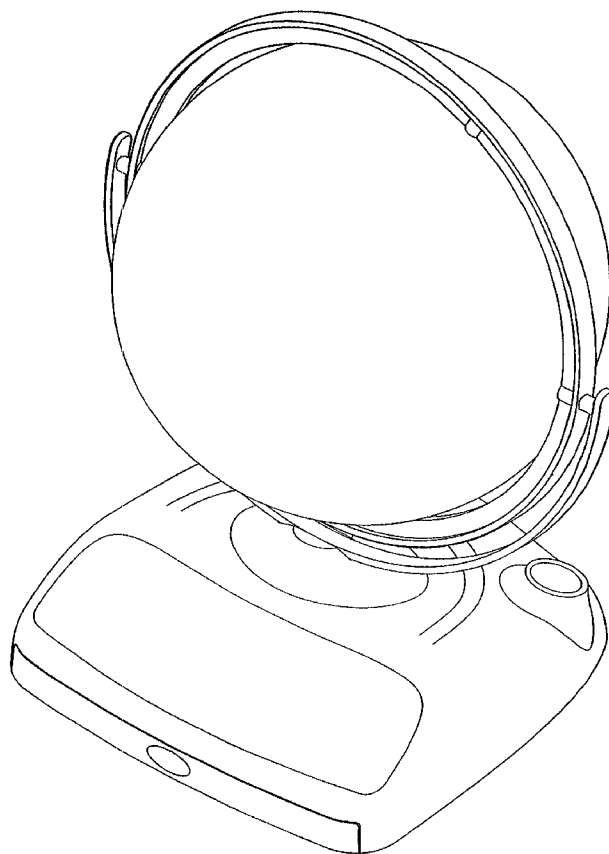
(57) **CLAIM**

The ornamental design for a globe, as shown and described.

**DESCRIPTION**

FIG. 1 is a front perspective view of a globe showing my new design;  
 FIG. 2 is a rear perspective view thereof;  
 FIG. 3 is a front elevational view thereof;  
 FIG. 4 is a rear elevational view thereof;  
 FIG. 5 is a left side elevational view thereof;  
 FIG. 6 is a right side elevational view thereof;  
 FIG. 7 is a top plan view thereof;  
 FIG. 8 is a bottom plan view thereof; and,  
 FIG. 9 is a front perspective view of the globe in an open configuration.

**1 Claim, 9 Drawing Sheets**



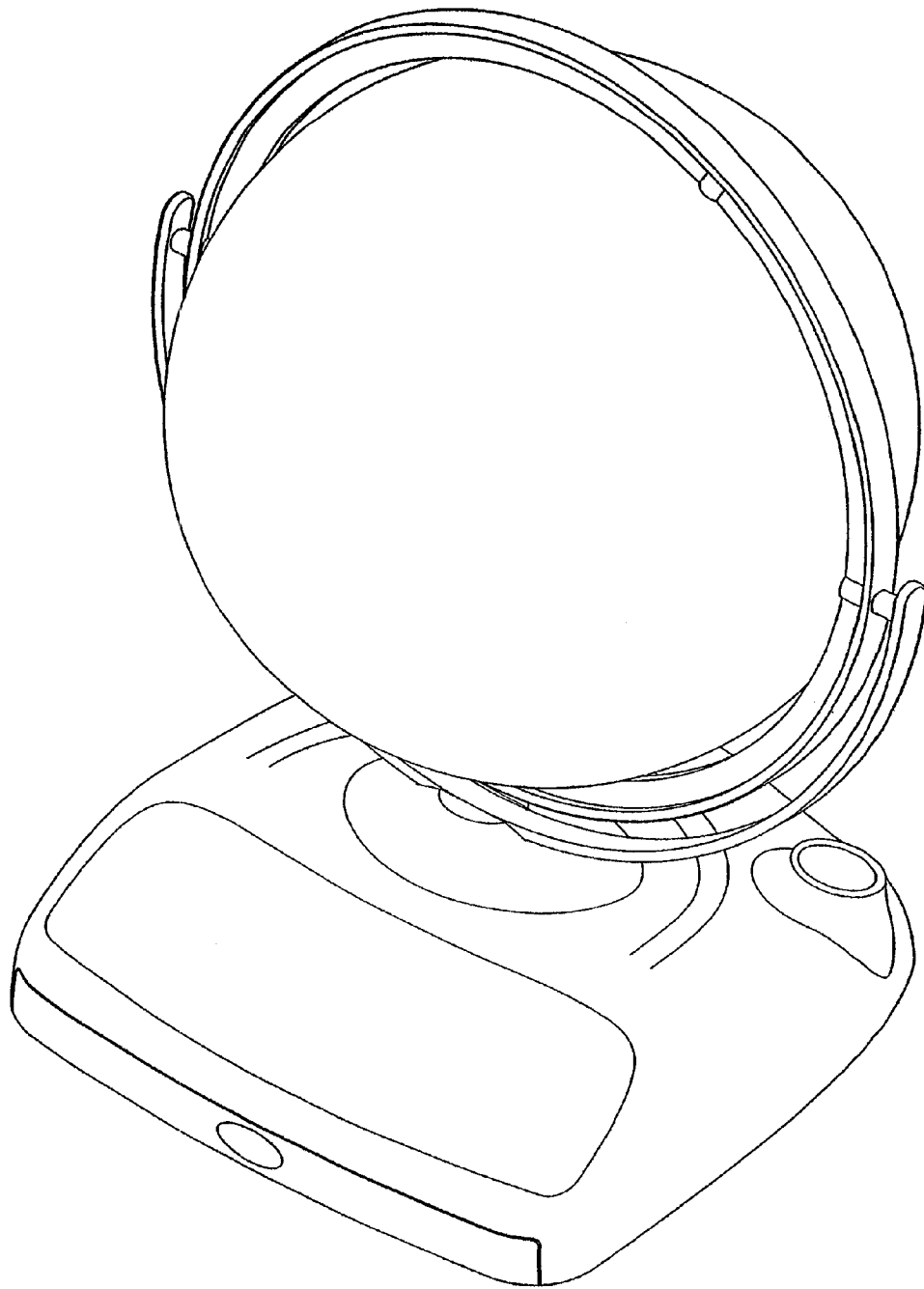


FIG. 1

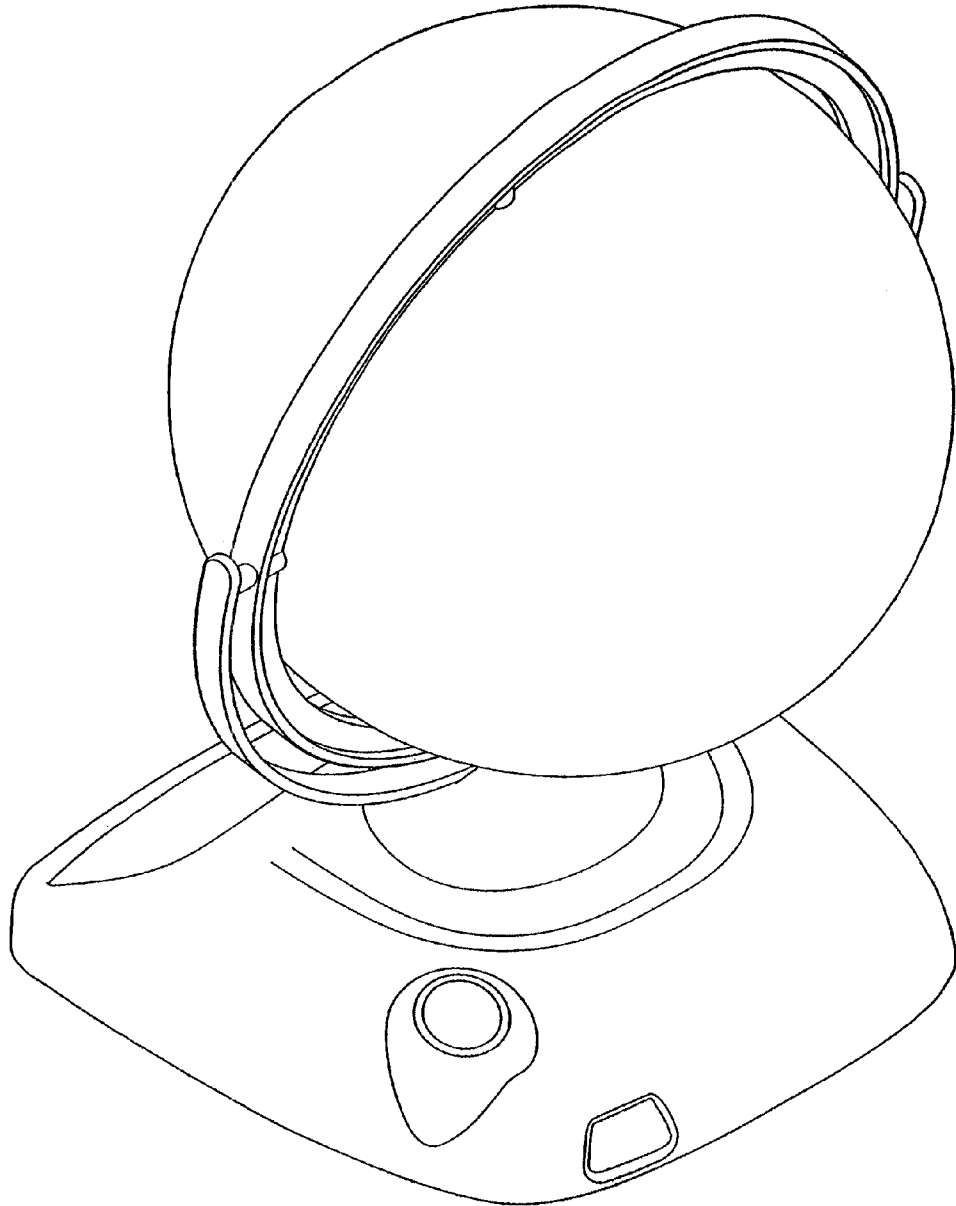


FIG. 2

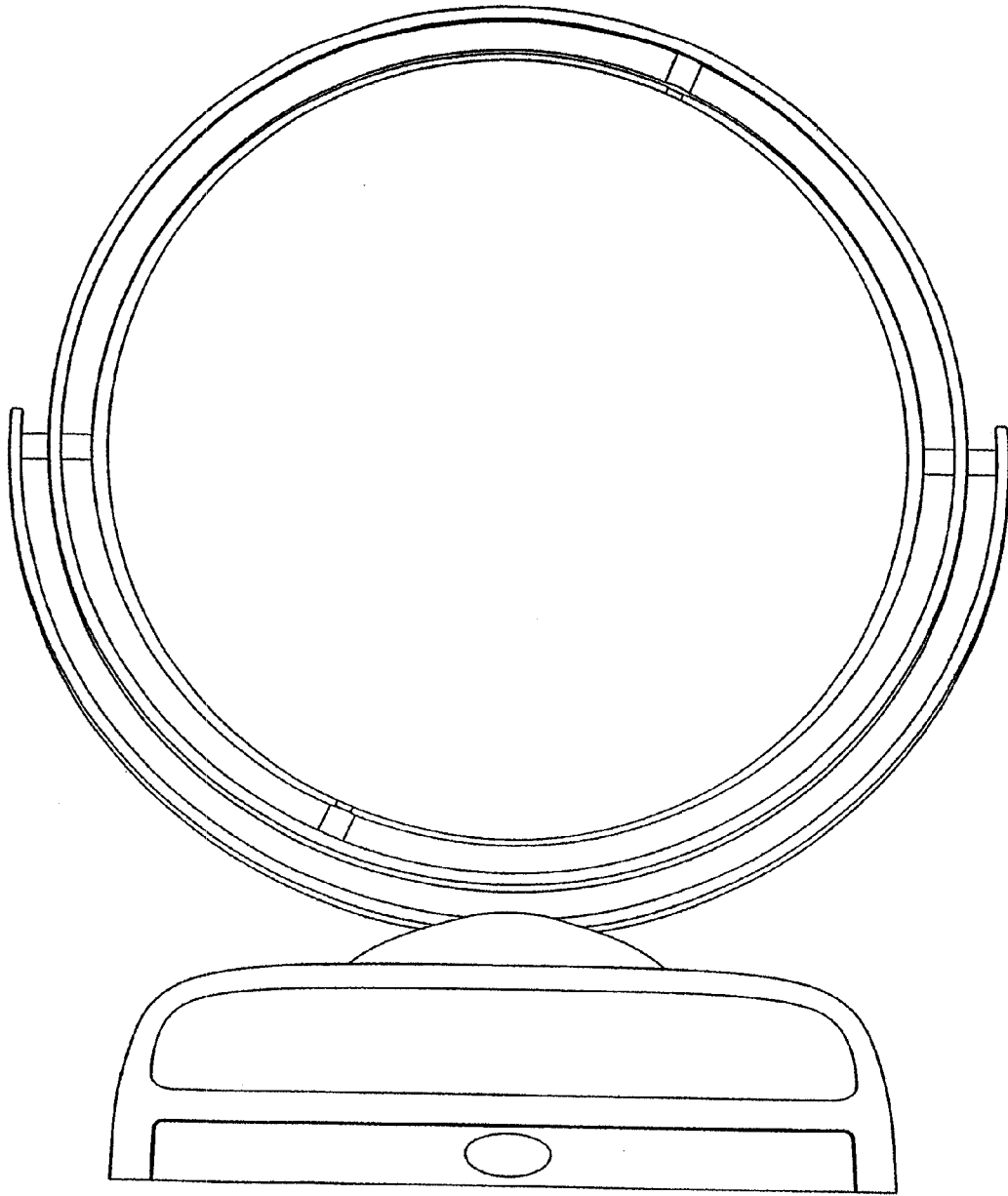


FIG. 3

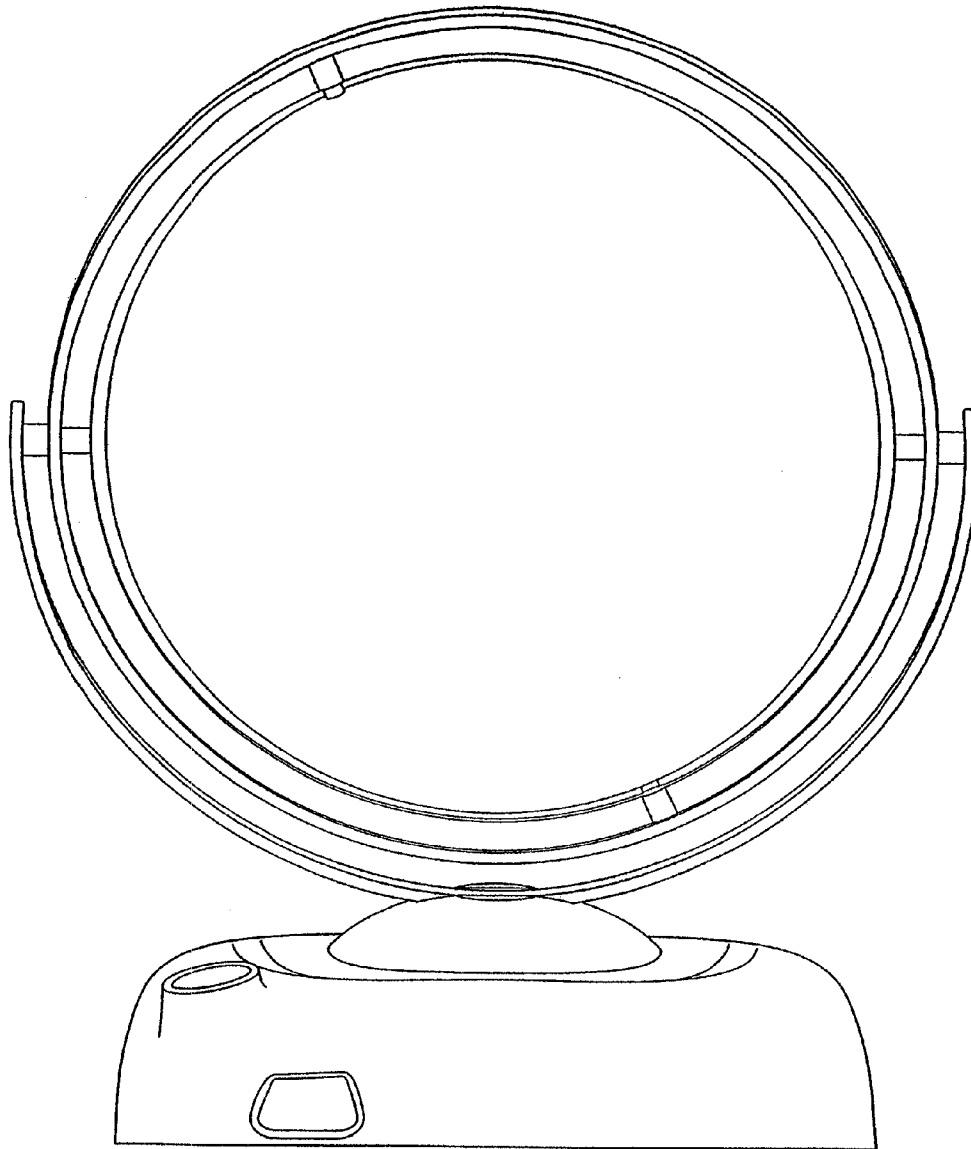


FIG. 4

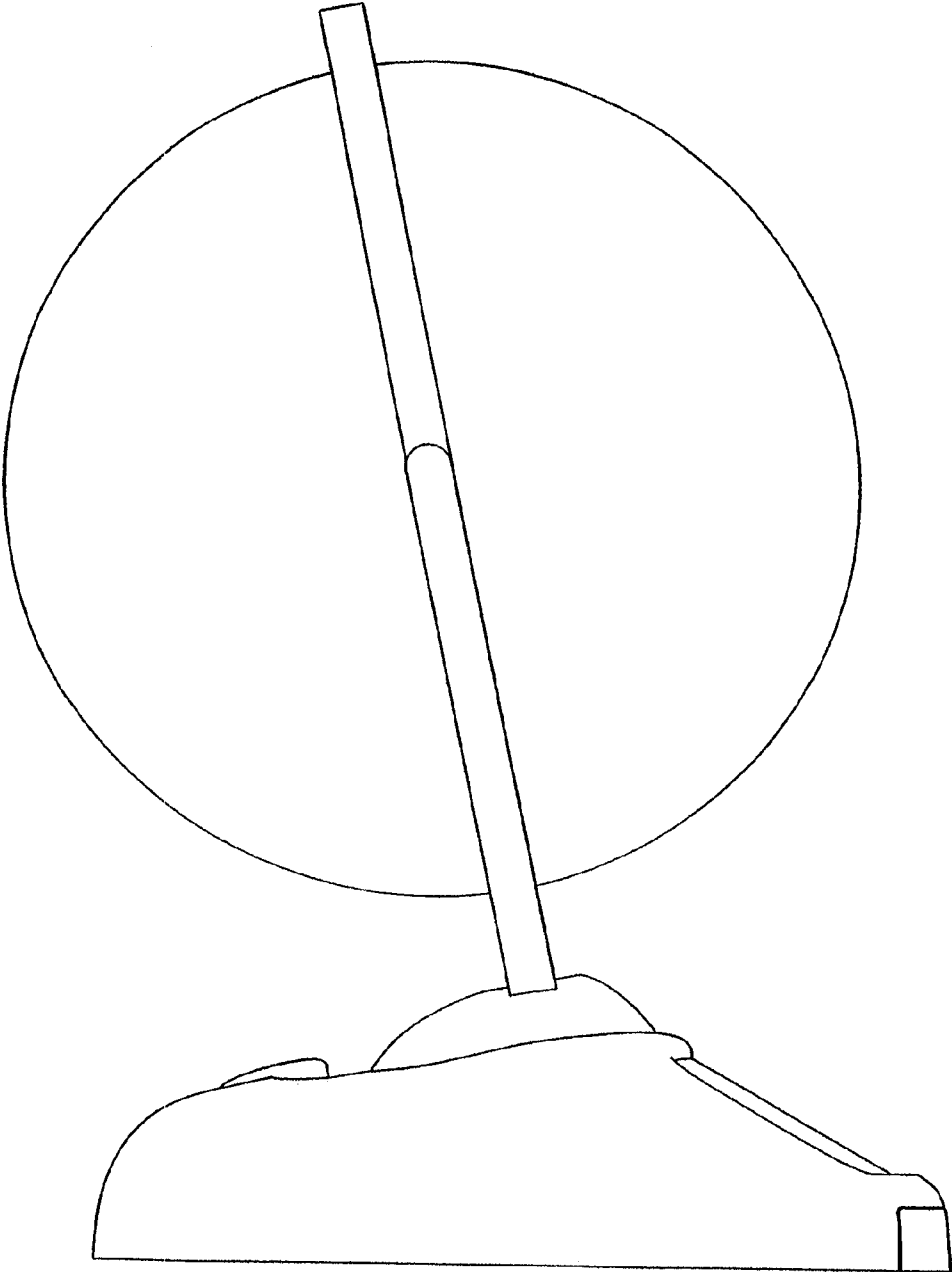


FIG. 5

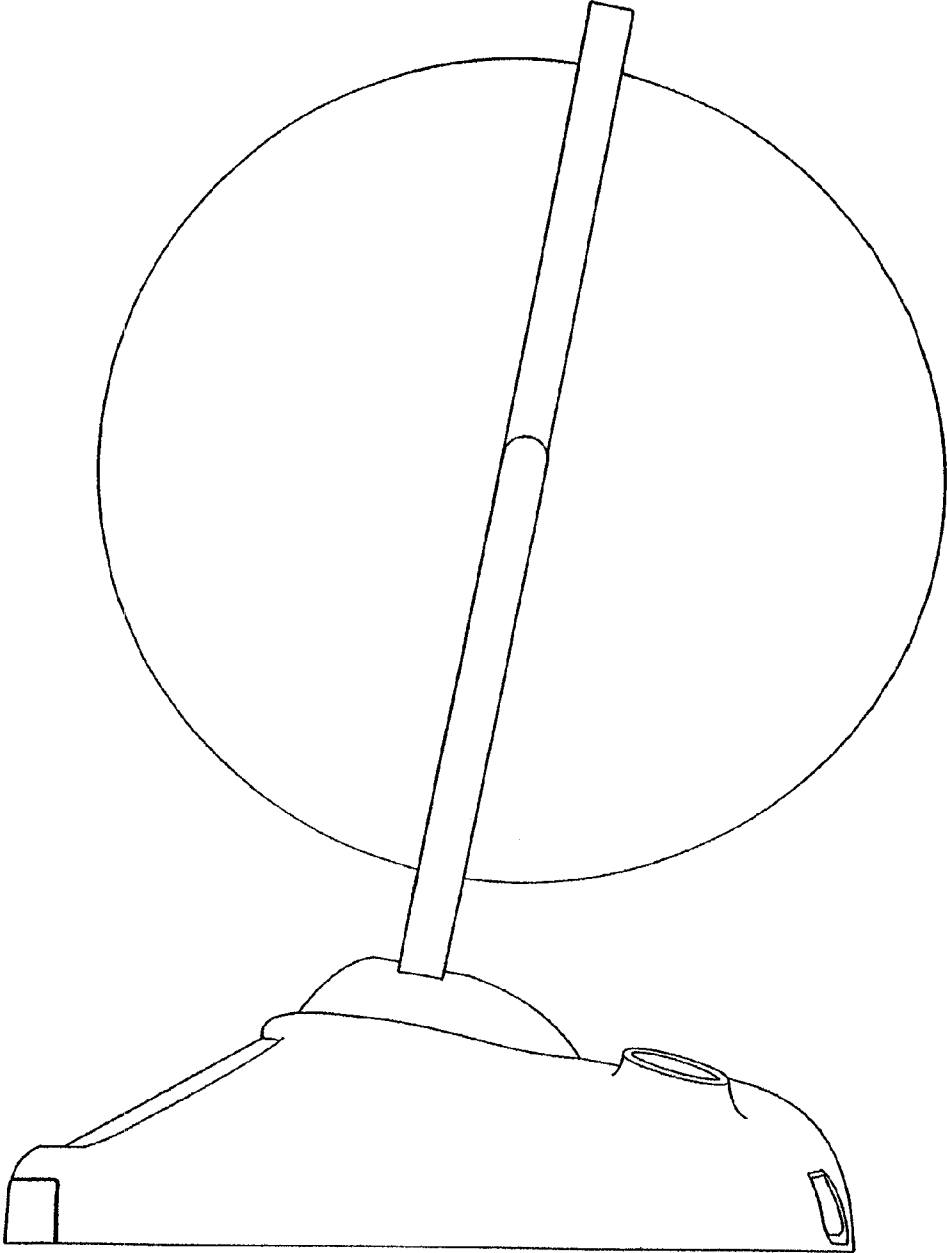


FIG. 6

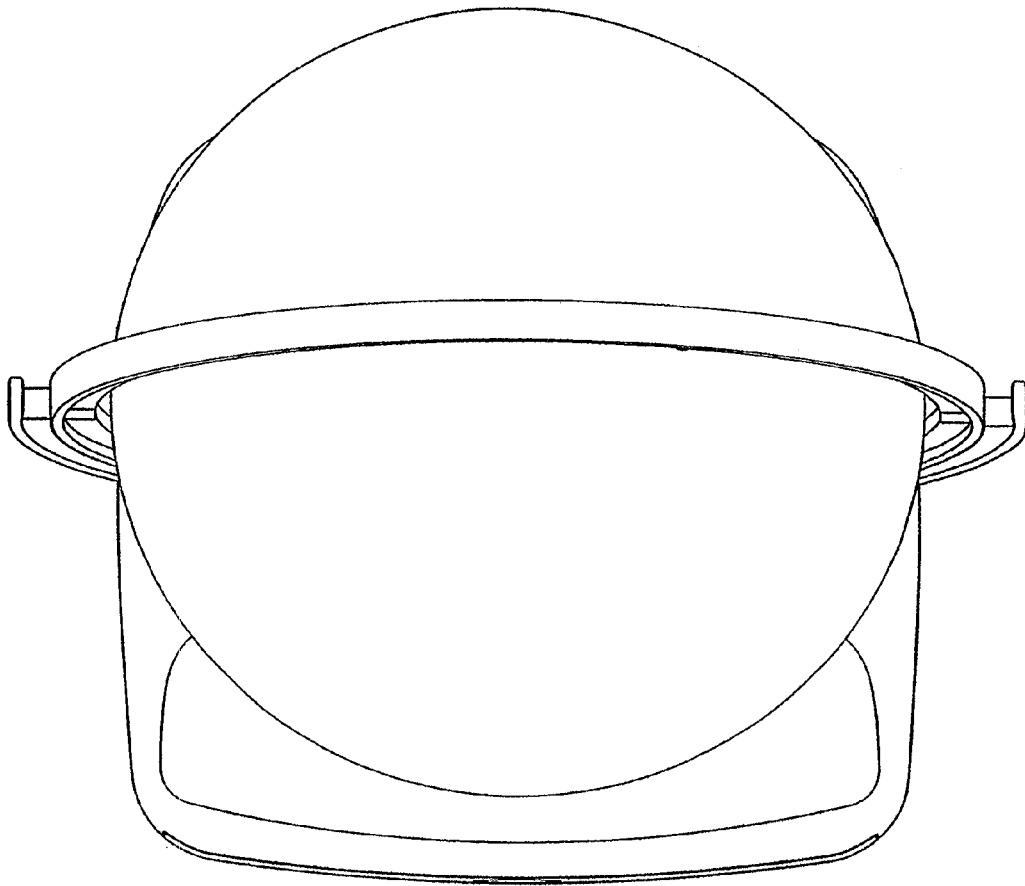


FIG. 7



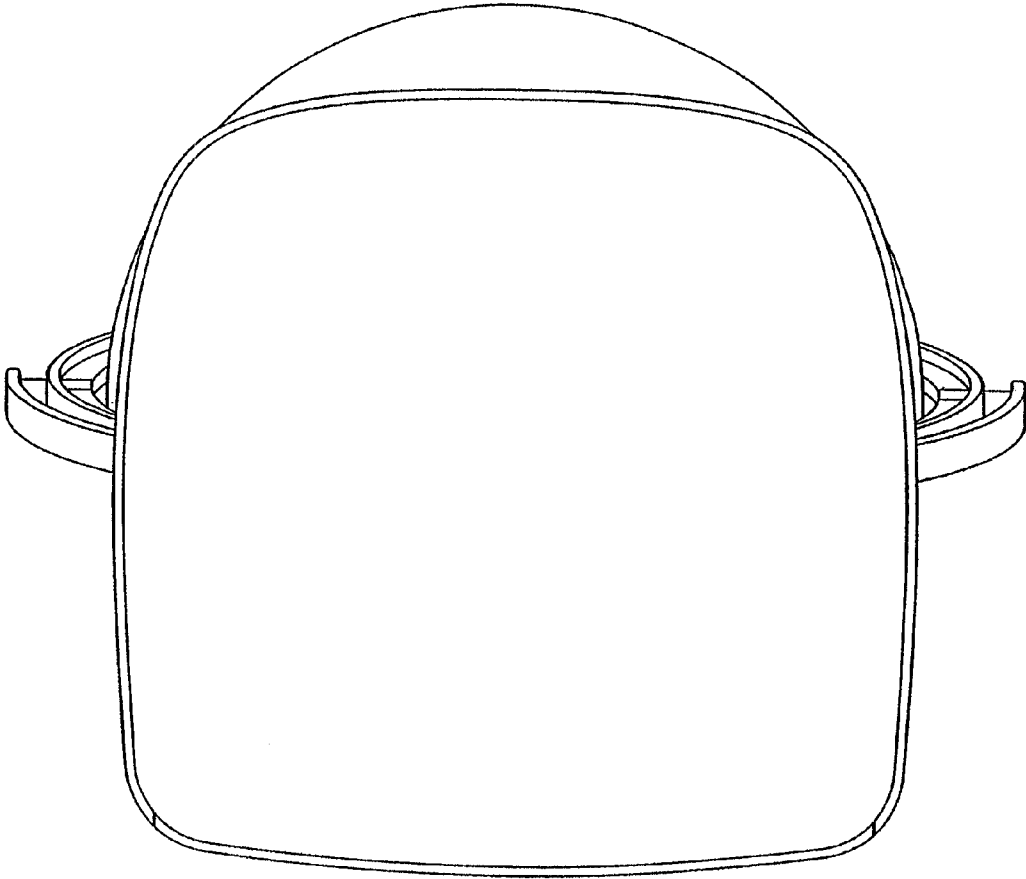


FIG. 8

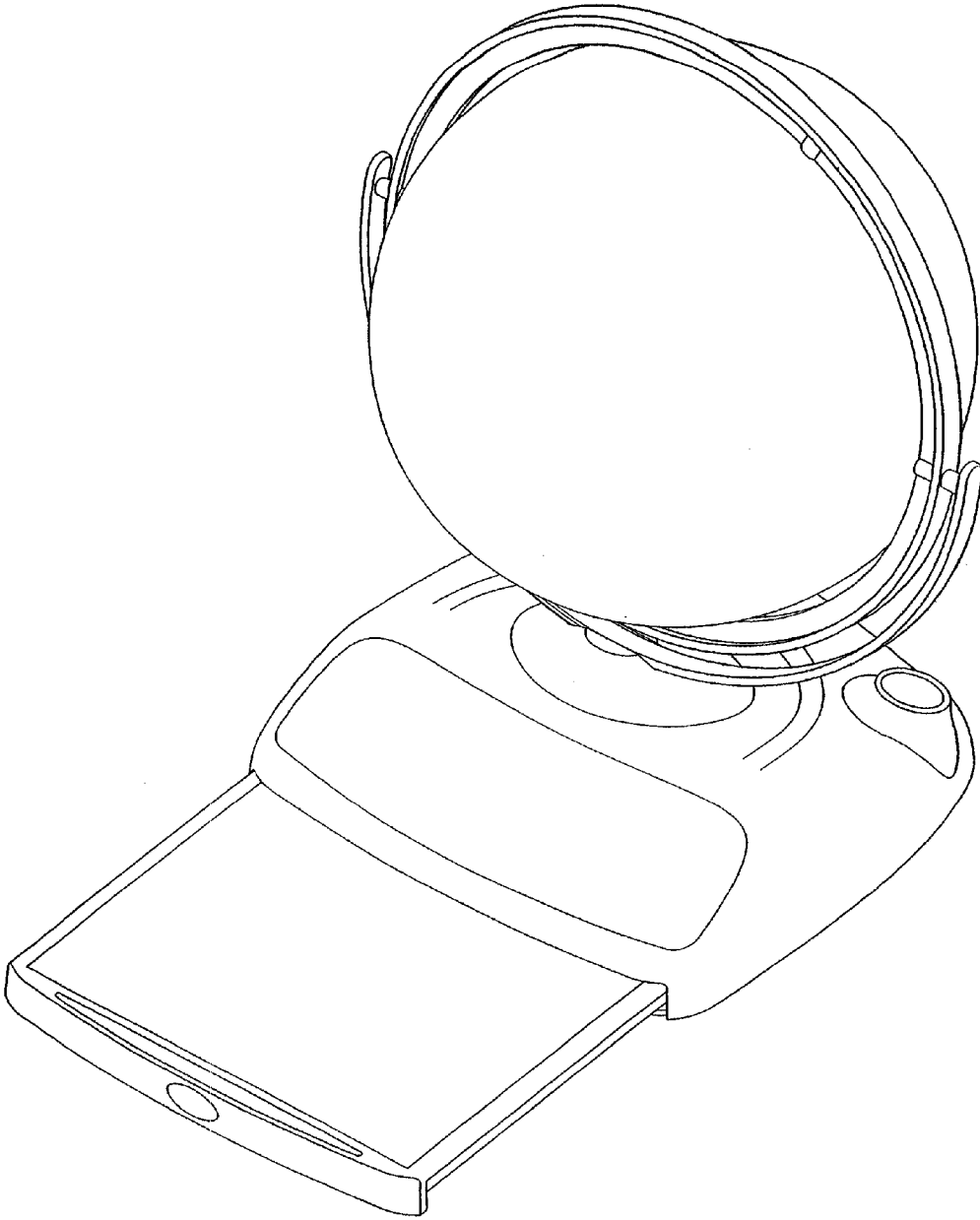


FIG. 9

UNITED STATES PATENT AND TRADEMARK OFFICE  
**CERTIFICATE OF CORRECTION**

PATENT NO. : Des. 531,671 S  
APPLICATION NO. : 29/237587  
DATED : November 7, 2006  
INVENTOR(S) : Chan

Page 1 of 1

It is certified that error appears in the above-identified patent and that said Letters Patent is hereby corrected as shown below:

On The Title Page; Item (73)  
Page 1, column 1:

Assignee, delete "IDT Electronics Products Limited" and replace with --IDT Electronic Products Limited--.


After section (22), insert:

--(30)           **Foreign Application Priority Data**

Jun. 21, 2005       (HK) .....0501478.8 --

Signed and Sealed this

Twelfth Day of June, 2007



JON W. DUDAS  
*Director of the United States Patent and Trademark Office*