

(19) World Intellectual Property Organization
International Bureau



(43) International Publication Date
17 February 2005 (17.02.2005)

PCT

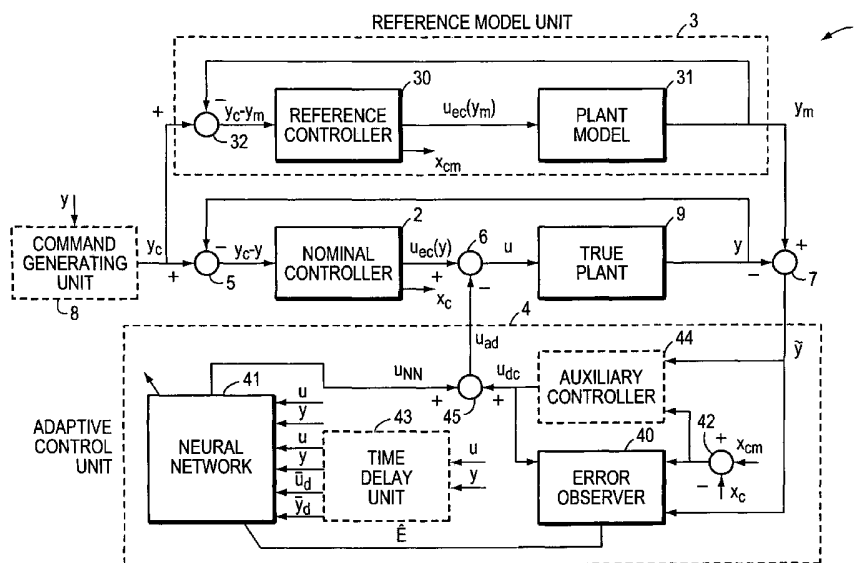
(10) International Publication Number
WO 2005/015324 A2

- (51) International Patent Classification⁷: **G05B**
- (74) Agents: JURGOVAN, Jon, M. et al.; Alston & Bird LLP, Bank of America Plaza, 101 South Tryon Street, Suite 4000, Charlotte, NC 28280-4000 (US).
- (21) International Application Number: PCT/US2003/039384
- (81) Designated States (*national*): AE, AG, AL, AM, AT, AU, AZ, BA, BB, BG, BR, BW, BY, BZ, CA, CH, CN, CO, CR, CU, CZ, DE, DK, DM, DZ, EC, EE, EG, ES, FI, GB, GD, GE, GH, GM, HR, HU, ID, IL, IN, IS, JP, KE, KG, KP, KR, KZ, LC, LK, LR, LS, LT, LU, LV, MA, MD, MG, MK, MN, MW, MX, MZ, NI, NO, NZ, OM, PG, PH, PL, PT, RO, RU, SC, SD, SE, SG, SK, SL, SY, TJ, TM, TN, TR, TT, TZ, UA, UG, UZ, VC, VN, YU, ZA, ZM, ZW.
- (22) International Filing Date: 9 December 2003 (09.12.2003)
- (25) Filing Language: English
- (26) Publication Language: English
- (30) Priority Data: 60/431,957 9 December 2002 (09.12.2002) US
- (84) Designated States (*regional*): ARIPO patent (BW, GH, GM, KE, LS, MW, MZ, SD, SL, SZ, TZ, UG, ZM, ZW), Eurasian patent (AM, AZ, BY, KG, KZ, MD, RU, TJ, TM), European patent (AT, BE, BG, CH, CY, CZ, DE, DK, EE, ES, FI, FR, GB, GR, HU, IE, IT, LU, MC, NL, PT, RO, SE, SI, SK, TR), OAPI patent (BF, BJ, CF, CG, CI, CM, GA, GN, GQ, GW, ML, MR, NE, SN, TD, TG).
- (71) Applicant: GEORGIA TECH RESEARCH CORP. [US/US]; 505 Tenth Street, N.W., Atlanta, GA 30332-0415 (US).
- (72) Inventors: CALISE, Anthony, J.; 6980 Glenridge Drive, Atlanta, GA 30328 (US). HOVAKIMYAN, Naira; 503 Galleria Lane, Smyrna, GA 30080 (US). YANG, Bong-Jun; 3114 Shadoway Parkway, Atlanta, GA 30339 (US).

Published: — without international search report and to be republished upon receipt of that report

[Continued on next page]

(54) Title: ADAPTIVE OUTPUT FEEDBACK APPARATUSES AND METHODS CAPABLE OF CONTROLLING A NON-MINIMUM PHASE SYSTEM



(57) Abstract: The invention comprises apparatuses and methods for providing the capability to stabilize and control a non-minimum phase, nonlinear plant with unmodeled dynamics and/or parametric uncertainty through the use of adaptive output feedback. A disclosed apparatus can comprise a reference model unit for generating a reference model output signal y_m . The apparatus can comprise a combining unit that combines and differences a plant output signal y of a non-minimum phase plant for which not all of the states can be sensed, and a plant output signal y , to generate an output error signal y^- . The apparatus can further comprise an adaptive control unit for generating an adaptive control signal u_{ad} used to control the plant.

WO 2005/015324 A2



For two-letter codes and other abbreviations, refer to the "Guidance Notes on Codes and Abbreviations" appearing at the beginning of each regular issue of the PCT Gazette.

ADAPTIVE OUTPUT FEEDBACK APPARATUSES AND METHODS CAPABLE
OF CONTROLLING A NON-MINIMUM PHASE SYSTEM

TECHNICAL FIELD

[0001] This invention relates generally to adaptive control systems using
5 output feedback to perform control of uncertain nonlinear plants such as an
aircraft, spacecraft, missile, munition, satellite, robot, ground vehicle, underwater
vehicle, surface ship, chemical process, industrial process, weather system,
economic system, etc., and any subsystem thereof.

BACKGROUND ART

10 [0002] One of the most important problems in control is that of controlling an
uncertain system in order to have its output track a given reference signal.
Previously developed control system design methods that apply to this class of
uncertain systems include (1) designs based on the theory of differential games and
15 L_2 -gain analysis; (2) geometric methods; (3) methods for adaptive design of
observers and output feedback controllers; (4) methods for employing high gain
observers; (5) backstepping algorithms; (6) input-to-state stability method; (7)
methods for decentralized stabilization of interconnected systems, among others.

[0003] It is of interest to apply a systematic design approach for controlling
20 system outputs in the presence of structured uncertainties, such as unmodeled
dynamics and disturbances. While for linear systems stabilization and tracking can
always be achieved by output feedback using standard design methods such as pole
placement, separation principle, or linear quadratic regulation (LQR), for nonlinear
systems the task is often difficult. Most of the nonlinear control methods, robust or
25 adaptive, impose the assumption on asymptotic stability of the zero dynamics and
thus are limited to minimum phase systems. It would be desirable to provide
apparatuses and methods for adaptive output feedback control of non-minimum
phase uncertain nonlinear systems

DISCLOSURE OF THE INVENTION

[0004] This invention overcomes the limitations of previous apparatuses and
30 methods in that it provides the capability to stabilize and control a non-minimum

phase, nonlinear plant with unmodeled dynamics and/or parametric uncertainty through the use of adaptive output feedback.

[0005] In accordance with one embodiment of the invention, an apparatus comprises a reference model unit and an adaptive control unit for augmenting a nominal controller for controlling a plant. The reference model unit can comprise a reference controller that is identical to the nominal controller, and is used to control a plant model upon which the control laws of the nominal controller and reference controller are based. The reference model unit can difference the reference model output signal y_m and a commanded output signal y_c to generate reference controller input signal $y_c - y_m$ provided to the reference controller. Based on this signal, the reference controller generates a reference controller signal $u_{ec}(y_m)$ and reference controller state signal x_{cm} . The nominal controller is coupled to a combining node that receives the commanded output signal y_c and the plant output signal y , and generates a reference controller input signal $y_c - y_m$ based thereon. The reference controller generates the nominal controller signal $u_{ec}(y)$ and the reference controller state signal x_{cm} based on the reference controller input signal $y_c - y_m$.

[0006] The apparatus can comprise a combining unit coupled to receive and difference the plant output signal y and the reference model output signal y_m to generate an output error signal \tilde{y} . The output error signal \tilde{y} does not explicitly contain all of the plant states, but is a function thereof. The adaptive control unit is coupled to receive the output error signal \tilde{y} . More specifically, the adaptive control unit can comprise an error observer that receives the output error signal \tilde{y} . The adaptive control unit can comprise a combining unit that receives the nominal controller state signal x_c and the reference controller state signal x_{cm} , and generates a controller state error signal $x_{cm} - x_c$ based thereon. This combining unit provides the controller state error signal $x_{cm} - x_c$ to the error observer. Based on the output error signal \tilde{y} and the controller state error signal $x_{cm} - x_c$, the error observer generates the observed error signal \hat{E} . The adaptive control unit can comprise a neural network coupled to receive the observed error signal \hat{E} for use in updating its connection weights. As inputs the neural network can be coupled to receive the plant output signal y and the plant control signal u . The adaptive control unit can comprise a time delay unit coupled to receive and delay the plant output signal y

and the plant control signal u to generate the delayed plant output signal y_d and the delayed plant control signal u_d , respectively, which can also be provided to the neural network as inputs. The neural network can be one of a variety of forms, including a single hidden layer network. Based on the plant output signal y , the plant control signal u , and optionally also the delayed plant output signal y_d and the delayed plant control signal u_d , as well as the observed error signal \hat{E} used to update connection weights M, N , the neural network generates the neural network control signal u_{NN} for use canceling the effect of differences between the plant model and the actual plant in control of the plant. The neural network control signal u_{NN} can be output from the adaptive control unit as an adaptive control signal u_{ad} . Alternatively, the adaptive control unit can further comprise an auxiliary controller coupled to receive the output error signal \tilde{y} and the controller state error signal $x_{cm} - x_c$. The auxiliary controller can be linear. Based on its received signals, the auxiliary controller generates an auxiliary controller signal u_{dc} . The adaptive control unit can comprise a combining unit coupled to receive and combine the auxiliary controller signal u_{dc} and the neural network control signal u_{NN} to generate the adaptive control signal u_{ad} . The output of the auxiliary controller can also be provided to the error observer for use in generating the observed error signal \hat{E} . The apparatus can further comprise a combining unit coupled to receive and difference the nominal controller signal $u_{ec}(y_m)$ and the adaptive control signal u_{ad} , to generate the plant control signal u . This combining unit can be coupled to provide the plant control signal u to the plant for use in its control.

[0007] In one embodiment, a method of the invention can comprise steps mirroring the functions performed by one or more of the nominal controller, reference control unit, the adaptive control unit, the combining units, and optionally other elements herein described. Other apparatuses and methods are herein disclosed.

BRIEF DESCRIPTION OF THE DRAWINGS

[0008] The invention is better understood by reading the following detailed description of an exemplary embodiment in conjunction with the accompanying drawings, wherein:

[0009] Figure 1 is a block diagram of a system in accordance with the invention, including a nominal controller, reference model unit, an adaptive output unit, and combining units, providing the capability to stabilize and control a non-minimum phase, nonlinear plant with unmodeled dynamics and/or parametric uncertainty through the use of adaptive output feedback.

[00010] Figure 2 is a relative detailed block diagram of the plant of Fig. 1 receiving a plant control signal u and generating a plant output signal y based thereon;

[00011] Figure 3 is a relatively detailed view of a command generating unit for use in generating a commanded output signal y_c based on a plant output signal y ;

[00012] Figure 4 is a block diagram of an embodiment of the system in accordance with the invention implemented by execution of a control program by a processor;

[00013] Figure 5 is a relatively detailed diagram of the neural network and time delay unit in accordance with the invention;

[00014] Figures 6 and 7 are flowcharts of an exemplary method of the invention and processing performed by the system of the invention.

[00015] BEST MODE FOR CARRYING OUT THE INVENTION

As used herein, the following terms have the following definitions:

"Actuator" can be virtually any device capable of affecting the state of a plant to control one or more degrees of freedom thereof. Such actuator can be a motor, motor-driven screw, a hydraulic cylinder, a pump or valve controlling a stream of air, a thermal heater, a compressor or suction generator, or other device.

"Adaptive control system" means a control system having the capability to adapt to changes in a controlled plant or its environment over time.

"And/or" means either one or both of the elements before and after this term. Hence, "A and/or B" means "A" or "B" or "A and B".

“Coupled” means connected to receive a signal whether in analog and/or digital form, either directly from an element or indirectly passed through two or more elements. Furthermore, the term “coupled” can refer to passing of signals or data values between different segments or objects of code implemented in a processor-based system.

"Operator" can be a human or computer, that receives and input and generates and output based on the current and past history of the input., for example, senses a plant output using a plant output signal, and generates a commanded state signal to control the plant.

"Memory" can be a random-access memory (RAM), read-only memory (ROM), erasable read-only programmable memory (EPROM), or other memory device capable of storing a control program and data executable by a processor.

"Plant" refers to a system controlled by a control system. For example, the plant can be an aircraft, spacecraft, space-launch vehicle, satellite, missile, guided munition, automobile, or other vehicle. The plant can also be a robot, or a pointing or orientation system such as a satellite orientation system to orient power-generation panels, a transceiver, or a docking mechanism. Such plant can also be a braking system, an engine, a transmission, or an active suspension, or other vehicle subsystem. The plant can be a manufacturing facility or a power generation facility. In general, the plant could be virtually any controllable system.

"Processor" can be a microprocessor such as a Xeon® or Pentium® brand microprocessor produced by Intel® Corporation, an Athlon® brand microprocessor commercially available from AMD® Corporation, Sunnyvale, California, which can operate at one (1) megahertz or more, a microcontroller, a field programmable gate array ("FPGA"), a programmable logic array ("PLA"), a programmed array logic ("PAL"), or other type of data processing or computing device.

"Relative degree" applies to a regulated variable (such as plant output signal y) and corresponds to the number of times the variable must be differentiated with respect to time before an explicit dependence on the control variable (such as the command control signal δ_c) is revealed.

"Sensor" can be virtually any device(s) for sensing a degree of freedom of a plant's state, whether alone or in combination with one or more other sensors. The sensor can be virtually any device suitable for sensing information regarding a plant's state. For example, the sensor could be a gyroscope for detecting
5 orientation of a vehicle such as an aircraft, i.e., pitch or roll attitudes or side slip. The sensor can also be a temperature or pressure sensor, a position, velocity, or inertial sensor.

"(s)" means one or more of the thing meant by the word preceding "(s)". Thus, basis function(s) means one or more basis functions.

10 "State" refers to a property of a plant to be controlled which is sufficient to completely define the condition of the plant at any time' instant. For example, elements of the state can be a position, velocity, acceleration, mass, energy, temperature, pressure, volume, etc. of an object associated with a plant that is to be controlled.

15 "State feedback" pertains to a situation in which the entire state of the plant can be sensed and used to control the plant through feedback.

[00016] "Variable" refers to any signal that can be changed independently of the plant states, such as the control variable, or that dependent upon time either directly, or indirectly because it depends upon plant states that are time varying,
20 such as the output variable.

[00017] The following detailed description of the present invention is provided as an enabling teaching of the invention in its best, currently known embodiment. Those skilled in the relevant art will recognize that many changes can be made to the embodiment described, while still obtaining the beneficial results of the
25 present invention. It will also be apparent that some of the desired benefits of the present invention can be obtained by selecting some of the features of the present invention without using other features. Accordingly, those who work in the art will recognize that many modifications and adaptations to the present invention are possible and may even be desirable in certain circumstances, and are a part of
30 the present invention. Thus, the following description is provided as illustrative of the principles of the present invention and not in limitation thereof, since the scope of the present invention is defined by the claims.

[00018] Field 1 is block diagram of a system 1 in accordance with the invention. System 1 comprises a nominal controller 2, a reference model unit 3, and an adaptive control unit 4. The system 1 can be a non-minimum phase system, although the invention can as well be applied to minimum phase systems. The system 1 can include combining units 5, 6, 7. In addition, the system 1 can comprise a command generating unit 8.

[00019] Central to the system 1 is a plant 9, which can be an aircraft, spacecraft, missile, munition, satellite, robot, ground vehicle, underwater vehicle, surface ship, chemical process, industrial process, weather system, economic system, etc., and any subsystem of such plants. For example, if the plant is an aircraft, then the subsystem can be a thrust vector system, engine, helicopter rotor control system, etc. Of particular interest are plants 9 which include uncertain parameters in their dynamics and/or unmodeled, non-linear dynamics. As will become subsequently more clear, the system 1 is particularly effective in stably controlling such classes of plants.

[00020] The reference model unit 3 comprises a reference controller 30 and a plant model 31. The reference controller 30 can be, and preferably is, identical to the nominal controller 2. Thus, both the nominal controller 2 and the reference controller 30 implement the same control laws based on the plant model 31. Plant model 31 is an approximate dynamic model of the plant 9. The nominal controller 2 is the stabilizing controller for the plant model 31. The combining unit 5 is coupled to receive the plant output signal y and the commanded output signal y_c to produce the commanded output error signal $y_c - y$. The nominal controller 2 is coupled to receive the output error signal $y_c - y$ and uses such signal to generate a nominal controller signal $u_{ec}(y)$ and a nominal controller state signal x_c . Nominal controller 2 is implemented as a stabilizing controller such as can be defined by equation (3) hereinafter. However, it should be understood that other stabilizing control designs well-known to those of ordinary skill in the art could be substituted for that equation (3). The combination unit 6 is coupled to receive the nominal controller signal $u_{ec}(y)$. In addition, the combination unit 6 is coupled to receive the adaptive controller signal u_{ad} from the adaptive control unit 4. The combination unit 6 generates the plant control signal u based on the nominal

controller signal $u_{ec}(y)$ and the adaptive control signal u_{ad} . More specifically, the combination unit 6 can difference the nominal controller signal $u_{ec}(y)$ and the adaptive control signal u_{ad} to produce the plant control signal u . The plant 9 is coupled to receive the plant control signal u which controls the plant so that the plant output signal y tracks the commanded output signal y_c . The commanded output signal y_c can be generated by a command generating unit 8 including a human or computer operator, based on the plant output signal y .

[00021] Returning to consideration of the reference model unit 3, the combination unit 32 is coupled to receive the commanded output signal y_c . In addition, the combination unit 32 is coupled to receive the plant model output signal y_m . The combination unit 32 combines, or more specifically differences, the commanded output signal y_c and the plant model output signal y_m , to generate the reference controller input signal $y_c - y_m$. The reference controller 30 is coupled to receive the reference controller input signal $y_c - y_m$ and generates the reference controller signal $u_{ec}(y_m)$ and the first controller state signal x_{cm} based on the reference controller input signal $y_c - y_m$. The plant model 31 is coupled to receive the nominal controller signal $u_{ec}(y_m)$ and generates the reference model output signal y_m based thereon. The combination unit 7 is coupled to receive the plant output signal y and the reference model output signal y_m , and generates the output error signal \tilde{y} based on the signals. The plant output error signal \tilde{y} is a function of all states of the plant 9, although not all such states can be derived from such signal.

[00022] The adaptive control unit 4 comprises an error observer 40 and a neural network 41. In addition, the adaptive control unit 4 can comprise a combination unit 42, a time-delay unit 43, an auxiliary controller 44, and a combination unit 45. The error observer 40 is coupled to receive the plant output signal \tilde{y} . The combination unit 42 is coupled to receive the nominal controller state signal x_c and the reference controller state signal x_{cm} . The combination unit 42 generates controller state error signal $x_{cm} - x_c$ based on the nominal controller state signal x_c and the reference controller state signal x_{cm} . The error observer 40 is coupled to receive the controller state error signal $x_{cm} - x_c$. The error observer 40 generates the observed error signal \hat{E} based on the plant output error signal \tilde{y} and

the controllers state error signal $x_{cm} - x_c$. The error observer 40 effectively estimates the unavailable error states of the plant 9 so that such errors are taken into account in generating the adaptive control signal u_{ad} . Recall that the plant output error signal \tilde{y} is a function of all states of the plant 9, although not all such states can be determined from such signal. Therefore, the error observer 40 generates the observed error signal \hat{E} to include estimates of the error(s) in the unavailable state(s) of the plant 9, in addition to error(s) for those state(s) that are available from the plant output error signal \tilde{y} . Neural network 41 is coupled to receive the plant control signal u and the plant output signal y . It can be coupled to receive such plant control signal u and the plant output signal y from the combining unit 6 and plant 9, respectively. Alternatively, if the time delay unit 43 is used, the neural network 41 can be coupled to receive the plant control signal u and the plant output signal y from the time delay unit 43, which is coupled to receive such signals from the combining unit 6 and plant 9, respectively. In addition, the neural network 41 can receive as inputs a delayed plant control signal u_d and a delayed plant output signal y_d . More specifically, the time delay unit 43 can be coupled to receive the plant control signal u and the plant output signal y and can generate the delayed plant control signal u_d and the delayed plant output signal y_d . The time delay unit 43 is coupled to provide the delayed plant control signal u_d and the delayed plant output signal y_d as inputs to the neural network 41. By way of example and not limitation, the neural network 41 can implemented as a three layer network, with an input layer, hidden layer, and output layer of neurons. Thus, the neural network 41 receives at its input layer the plant control signal u and the plant output signal y , and optionally also the delayed plant control signal u_d and the delayed plant output signal y_d . The neural network 41 is also coupled to receive the observed error signal \hat{E} which adjusts the connection weights M, N associated with the functions $\sigma(\cdot)$ of the neural network neurons. The neural network's input signals u, y, u_d, y_d excite the neurons of the neural network 41, and their output signals are weighted with connection weights M, N between the neurons to generate the neural network output signal u_{NN} . The neural network output signal u_{NN} can be output from the adaptive control unit 4 as the adaptive control signal u_{ad} . In this case, the combining unit 45 is not required in the adaptive control unit 4, as the output of the neural network 41 can be coupled directly to the combining unit 45. The weight update law of the neural network 41

that is adapted by the observed error signal \hat{E} is designed to ensure that all signals within the neural network 41 remain bounded. For example, a Lyapunov stability analysis can be used to derive a bounded weight update law. This output feedback design of the neural network 41 provides for generation of the neural network
5 output signal u_{NN} so that parametric uncertainty and/or unmodeled dynamics of the plant 9 relative to the plant model 31 can be compensated in the plant control signal u used to control the plant 9.

[00023] Optionally, an auxiliary controller 44 can be used to enhance nominal controller 2 to achieve improved tracking performance with relatively small
10 ultimate bounds. For non-minimum phase systems, this is difficult to accomplish even for linear systems. To reduce ultimate bounds to improve tracking performance between the commanded output signal y_c and the plant output signal y , the nominal controller 2 can be augmented by the auxiliary controller 44. For example, auxiliary controller 44 can be a linear controller. Auxiliary controller 44
15 is coupled to receive the output error signal \tilde{y} and the controller state error signal $x_{cm} - x_c$ and uses these signals to generate the auxiliary controller signal u_{dc} . The combination unit 45 is coupled to receive the auxiliary control signal u_{dc} and the neural network output signal u_{NN} , and combines these signals to generate the adaptive control signal u_{ad} . The error observer 40 is coupled to receive the
20 auxiliary controller signal u_{dc} . The error observer 40 uses the auxiliary controller signal u_{dc} to generate the observed error signal \hat{E} .

[00024] Figure 2 is a more detailed diagram of the plant 9 indicating various elements that can be included therein. More specifically, the plant 9 comprises of a control system 90, actuator(s) 91 for a controlling state(s) of the controlled
25 system 90, and sensor(s) 92 which sense the output(s) which are a function of all states of the plant, including state(s) which cannot be sensed and are therefore unavailable. Based on the sensed output(s) of the controlled system 90, the sensor(s) 92 generate the plant output signal y . The actuator(s) 91 physically controls the control system 90 based on the plant control signal u , and thus can be
30 coupled to the combining unit 6 to receive such signal. As an optional element, the plant 9 can comprise the plant interface unit 93. The plant interface unit 93 can be used to perform control allocation to generate actuator signal(s) δ to physically

control the plant 9. For example, if the plant 9 is an aircraft, the plant control signal u can specify a target roll angle θ . The plant interface unit 93 can receive the plant control signal u indicating the target roll angle θ , and generate the actuator control signal(s) δ to the actuator(s) 91, which can be control surfaces of the aircraft, to obtain the target roll angle θ for the control system 90, in this case the remaining portion of the aircraft not including the units 91, 92, 93.

[00025] Thus, the plant control signal u can be used to directly control the actuator(s) 91, and/or can be allocated through the plant interface unit 93. Figure 3 is a relatively detailed diagram of the command generating unit 8. The command generating unit 8 comprises an operator 80, and optionally also an operator unit interface unit 81, and a command filter unit 82. The operator 80 can be a human or computer for generating a commanded output signal y_c based on the plant output signal y . The operator interface unit 81 can be a network interface card or user interface of a computer, providing a display or signal comprehensible to the operator 80 which indicates the plants output(s). The operator 80 can be coupled or can interface with the command filter unit 82 which imparts desirable characteristics such as position, rate, and bandwidth limits on the control signal generated by the operator 80, to produce the commanded output signal y_c .

[00026] It should be understood by those who are skilled in the art that the block diagram at Figure 1 can be implemented in analog, digital, or a hybrid form. Thus, the nominal controller 2, reference model unit 3, the adaptive control unit 4, combining units 5, 6, 7, 32, 42, 45, and the command generating unit 8, can be implemented wholly or partially as electronic and/or optical components, for example.

[00027] Figure 4 indicates an implementation of the system 1 in accordance with one embodiment of the invention, in which a processor executes one or more of the elements of Figure 1 as a control program. The system 1 of Figure 4 comprises a processor 100 and memory 101 coupled via the bus 102. The system 1 can comprise the command generating unit 8 and the plant 9. The memory 101 stores a control program 103 and data 104 generated by the processor 100 as it executes, as well as having stored constants. The control program 103 comprises software code that can be executed by the processor 100 to implement functions

of the nominal controller 2, reference model unit 3, adaptive control unit 4, and the combining units 5, 6, 7. The control program 103 can be executed by the processor 100 to perform the functions of the flow chart of Figures 6 and 7.

[00028] Figure 5 is a view of an exemplary embodiment of the neural network 41. In Figure 5, the neural network 41 comprises input layer 410 having distribution nodes, a hidden layer 411 of neurons, and the output layer 412 of summing nodes. The input layer 410 is coupled to receive the plant output signal y and the plant control signal u . The neural network 41 is also coupled to receive delayed value(s) y_d of the plant output signal y , and delayed value(s) u_d of the control signal u , from the delay unit 43. Signals y , u , y_d , u_d , are input to the layer 410 as signals η_1 through η_{N_1} , N_1 being a positive integer equal to the number of nodes in the input layer 410. The output signals of the distribution nodes 410 are weighted by connection weights N which are updated using the observed error signal \hat{E} from the error observer 40. The neurons of the hidden layer 411 are coupled to receive the signals η_1 through η_{N_1} weighted by the connection weights M . Based on the M -weighted signals η_1 through η_{N_1} , the N_2 neurons of the hidden layer 411 operate with respective functions $\sigma(\cdot)$ on these signals to produce respective output signals, N_2 being a positive integer. These output signals of the neurons of the hidden layer 411 are weighted by the connection weights M and output to the N_3 summing nodes of the output layer 412, N_3 being a positive integer. The summing nodes of the output layer 413 receive these signals and generate output signals \bar{x}_1 through \bar{x}_{N_3} which are the vector elements of the neural network control signal u_{NN} .

[00029] Turning to Figures 6 and 7, a method in accordance with an embodiment of the invention is now described. It should be noted that one or more of the elements of the system 1 can be implemented in the flowchart of Figures 6 and 7 by programming the control program 103 to implement such functions under execution by the processor 100. The method of Figures 6 and 7 begins in Step S1 in which the reference control input signal $y_c - y_m$ is generated by differencing the plant model output signal y_m and the command output signal y_c . In Step S2, the reference controller input signal $y_c - y_m$ is supplied to the reference controller 30. In Step S3, the reference controller signal $u_{ec}(y_m)$ and the reference controller state

signal x_{cm} are generated based on the reference controller input signal y_c-y_m . In Step S4, the reference controller signal $u_{ec}(y_m)$ is supplied to control the plant model 31. In Step S5, reference model output signal y_m is generated based on the reference controller signal $u_{ec}(y_m)$. In Step S6, the nominal controller input signal y_c-y is generated by differencing the plant output signal y and the commanded output y_c . In Step S7, the nominal controller input signal y_c-y is supplied to the nominal controller 2. In Step S8, the nominal controller signal $u_{ec}(y)$ and the nominal controller state signal x_c is generated based on the nominal controller input signal y_c-y . In Step S9, the plant control signal u is generated by differencing the nominal controller signal $u_{ec}(y)$ and the adaptive control signal u_{ad} . In Step S10, the plant control signal u is supplied to control the plant. In Step S11, the output(s) of the plant 9 is sensed to generate a plant output signal \tilde{y} . In Step S12, the output error signal \tilde{y} is generated by differencing the plant output signal y and the model output signal y_m . In Step S13, the output error signal \tilde{y} is supplied as an input to the auxiliary controller 44. In Step S14 of Figure 7, output error signal \tilde{y} is supplied as an input to the error observer 40. In Step S15, the controller state error signal $x_{cm}-x_c$ is generated by differencing the reference controller state signal x_{cm} and the nominal controller state signal x_c . In Step S16, the controller state error signal $x_{cm}-x_c$ is supplied to the auxiliary controller 40. In Step S17, the controller state error signal $x_{cm}-x_c$ is supplied to the error observer 40. In Step S18, the auxiliary controller signal u_{dc} is generated based on the output signal \tilde{y} and the controller state error signal $x_{cm}-x_c$. In Step S19, the observed error signal \hat{E} is generated based on the plant output signal \tilde{y} , the controller state error signal $x_{cm}-x_c$, and the auxiliary controller signal u_{dc} . In Step S20, the observed error signal \hat{E} is supplied to the neural network 41. In Step S21, connection weights M, N of the neural-network 41 are updated in a bounded manner based on the observed error signal \hat{E} . In Steps S22 and S23, delayed values y_d and u_d are generated based on the plant output signal y and the plant control signal u , respectively. In Step S24, the neural-network output signal u_{NN} is generated based on the plant control signal u , plant output signal y , delayed value(s) of the plant control signal u_d , the plant output y , delayed value(s) of the plant output y_d , updated neural network connection weights M and N . In Step S25, the adaptive control signal u_{ad} is generated by summing neural-network output signal u_{NN} and the auxiliary control signal u_{dc} . After performance of Step S25, processing of the method of Figures 6

and 7 terminates. It should be understood by those of persons of ordinary skill in the art that the method of Figures 6 and 7 is generally performed repeatedly to control the plant 9, and can be repeatedly performed. Execution of the Steps S1 through S25 can be considered a control cycle of the processor 100 of Figure 4 as it executes the control program 103 to control the plant 9. The control cycle of Steps S1 through S25 can be repeated, by way of example and not limitation, from fifty to hundred times per second.

[00030] The following is a detailed explanation of the signals used in the system 1 and a detailed explanation of their relationship to one another. Consider an *observerable* and *stabilizable* nonlinear system in the normal form:

$$\begin{aligned}
 \dot{z}_0 &= f(z_0, x_1, \dots, x_r) \\
 \dot{x}_1 &= x_2 \\
 &\vdots \\
 \dot{x}_{r-1} &= x_r \\
 \dot{x}_r &= h(z_0, x_1, \dots, x_r, u) \\
 y &= x_1
 \end{aligned} \tag{1}$$

Where $z_0 \in R^{n-r}$ are the states of the internal dynamics, $u \in R^1$ and $y \in R^1$ are control and measurement variables, f and h are sufficiently smooth partially known functions, $f(0) = 0, h(0) = 0$, and r is the relative degree of the system. Moreover, n need not be known. The output y can be equivalently expressed as $y = c_m^T \xi$, where $c_m^T \xi = [1, 0, \dots, 0] \in R^{1 \times r}, \xi^T \equiv [x_1, \dots, x_r], \xi \in R^r$.

[00031] Consider the use of a linear plant model. After a suitable change of coordinates, the linear plant model can also be put in normal form:

$$\begin{aligned}
 \dot{z}_1 &= F_0 z_1 + g_0 x_{l_1} \\
 \dot{x}_{l_1} &= x_{l_2} \\
 &\vdots \\
 \dot{x}_{l_{r-1}} &= x_{l_r} \\
 \dot{x}_{l_r} &= h_0^T z_1 + a_1 x_{l_1} + \dots + a_r x_{l_r} + bu \\
 y_l &= x_{l_1}
 \end{aligned} \tag{2}$$

where $z_l \in R^{m-r}$ are the states of the zero dynamics, and $m \leq n$ is the dimension of the plant model. Consider the following stabilizing linear controller for the dynamics in (2):

5

$$\begin{aligned} \dot{x}_c &= A_c x_c + b_c (y_c - y) \\ u_{ec} &= c_c^T x_c + d_c (y_c - y), \end{aligned} \tag{3}$$

where $x_c \in R^{n_c}$.

10 The plant model in (2), when regulated by (3), constitutes a reference model". Defining $\xi_l^T \equiv [x_l, \dots, x_{l_r}]$ and denoting x_{cl} the states of the controller in (3) when applied to (2), i.e. when y is replaced by y_l in (3), the "reference model" can be written as:

15

$$\begin{bmatrix} \dot{\xi}_l \\ \dot{z}_l \\ \dot{x}_{cl} \end{bmatrix} = \begin{bmatrix} A_m - b_m d_c c_m^T & B_z & b_m c_c^T \\ g_0 c_m^T & F_0 & 0 \\ -b_c c_m^T & 0 & A_c \end{bmatrix} \begin{bmatrix} \xi_l \\ z_l \\ x_{cl} \end{bmatrix} + \begin{bmatrix} b_m d_c \\ 0 \\ b_c \end{bmatrix} y_c$$

$$y_l = \begin{bmatrix} c_m & 0 & 0 \end{bmatrix} \begin{bmatrix} \xi_l \\ z_l \\ x_{cl} \end{bmatrix} \tag{4}$$

where

25

$$A_m = \begin{bmatrix} 0 & 1 & 0 & \dots \\ 0 & 0 & 1 & \dots \\ \vdots & \vdots & \vdots & \vdots \\ a_1 & a_2 & \dots & a_r \end{bmatrix}_{rxr} \tag{5}$$

$$B_z = \begin{bmatrix} 0 \\ 0 \\ \vdots \\ h_0^T \end{bmatrix}_{rx(m-r)}, \quad b_m = \begin{bmatrix} 0 \\ 0 \\ \vdots \\ b \end{bmatrix}_{rx1}$$

30

The dynamics in (4) can be written in the following compact form:

$$\begin{aligned} \dot{x}_l &= \bar{A}x_l + \bar{b}_r y_c \\ y_l &= \bar{c}_y^T x_l \end{aligned} \tag{6}$$

5 where $x_l \in R^{m+n_c}$ and \bar{A} is Hurwitz. The objective is to augment the linear control law u_{ec} in (3) with an adaptive element so that when applied to the system (1) the output y tracks y_c . The error dynamics for the signal $y_l - y$ are derived in the following subsection. The error dynamics are found to be similar to those derived in previous works and for which a proof of ultimate boundedness has previously
10 been constructed, and hence are ultimately bounded. Since y_l tracks y_c asymptotically, boundedness of $y_l - y$ ensures that y tracks y_c with bounded errors.

[00032] The adaptive control unit 4 can be design based on the following
15 considerations. The z_0 dynamics in (1) can be rearranged as:

$$\begin{aligned} \dot{z}_1 &= f_1(z_1, z_2, \xi), z_1 \in R^{m-r} \\ \dot{z}_2 &= f_2(z_1, z_2, \xi), z_2 \in R^{n-m} \end{aligned} \tag{7, 8}$$

where the zero solution of $\dot{z}_2 = f_2(0, z_2, 0)$ is asymptotically stable, and the
20 dynamics in (7) can be written as:

$$\dot{z}_1 = f_1(z_1, z_2, \xi) = F_0 z_1 + g_0 y + \Delta_2(z_1, z_2, \xi) \tag{9}$$

Where $\Delta_2 = f_1(z_1, z_2, \xi) - F_0 z_1 - g_0 y$ can be viewed as modeling error in the
25 dynamics of z_1 , satisfying the following upper bound:

$$\|\Delta_2\| \leq \gamma_1 \|x\| + \gamma_2, x \in \Omega_x \subset R^{m+n_c} \tag{10}$$

with known $\gamma_1, \gamma_2 > 0$ and $x \equiv [\xi^T \quad z_l^T \quad x_c^T]^T$.
30

Equations (7-10) define the relationship between the nonlinear system in (1) and the linear model in (2), used for the design of the linear controller. In case $m = n$

there are no z_2 dynamics, and the relationship in (9) implies that the zero-dynamics in (2) represent the internal dynamics of (1) up to the accuracy of Δ_2 . If $m < n$, Assumption 1 does not preclude stable dynamics in (1) that are not modeled in (2), like that of z_2 .

5

[00033] The last equation of the system dynamics in (1) can be put in the following form:

$$h(z_0, x_1, \dots, x_r, u) = h_0^T z_1 + a_1 x_1 + \dots + a_r x_r + b(u + \Delta_1) \tag{11}$$

10

Where Δ_1 can be viewed as the portion of the modeling error that lies in the range space of the control. Augment the linear controller in (3) with an adaptive signal:

$$u = u_{ec} - u_{NN}, \tag{12}$$

15

Where u_{NN} is designed to approximately cancel Δ_1 . Notice from (12) and (11) that Δ_1 depends on u_{NN} through u , and that the role of u_{NN} is to cancel Δ_1 . The following assumption introduces a sufficient condition for the existence and uniqueness of a solution for u_{NN} .

20

The mapping $u_{NN} \rightarrow \Delta_1$ is required to be a contraction, which is equivalent to requiring the conditions:

$$\begin{aligned} \text{sign}(b) &= \text{sign}\left(\frac{\partial h}{\partial u}\right) \\ \left|\frac{\partial h}{\partial u}\right|/2 &< |b| < \infty \end{aligned} \tag{13}$$

25

These conditions imply that control reversal is not permitted, and that there is a lower bound on the estimate of control effectiveness, b .

[00034] A single hidden layer neural network is used to approximate Δ_1 in (11).

For example, for arbitrary $\epsilon^* > 0$ there exist bounded constant weights M, N such that:

30

$$\Delta_1 = M^T \sigma(N^T \eta) + \varepsilon(\eta), \|\varepsilon(\eta)\| \leq e^*$$

where $\varepsilon(\eta)$ is the neural network reconstruction error and η is the network input
 5 vector

$$\begin{aligned} \eta(t) &= [1 \quad \bar{u}_d^T(t) \quad \bar{y}_d^T(t)]^T, \|\eta\| \leq \eta^* \\ \bar{u}_d^T(t) &= [u(t) \quad u(t-d) \quad \cdots u(t-(n_1-r-1)d)]^T \\ \bar{y}_d^T(t) &= [y(t) \quad y(t-d) \quad \cdots y(t-(n_1-1)d)]^T \end{aligned} \quad (15)$$

with $n_1 \geq n$ and $d > 0$, σ being a vector of squashing functions $\sigma(\cdot)$, its i^{th}
 10 element being defined like $[\sigma(N^T \eta)]_i = \sigma[(N^T \eta)_i]$.

The adaptive signal u_{NN} is designed as:

$$u_{NN} = \hat{M}^T \sigma(\hat{N}^T \eta), \quad (16)$$

15

Where \hat{M} and \hat{N} and estimates of M and N to be adaptive online.

Using (11), (8) and (9), the nonlinear system in (1) under the regulation of (12)
 along with (3) can be written as:

$$\begin{aligned} \dot{x} &= \bar{A}x + \bar{b}_r y_c - \bar{b} u_{NN} + \Delta \\ \dot{z}_2 &= f_2(z_2, z_1, \xi) \\ y &= \bar{c}_y x \end{aligned} \quad (17)$$

20

in which

$$\bar{b} = \begin{bmatrix} b_m \\ 0 \\ 0 \end{bmatrix}, \Delta = \begin{bmatrix} \Delta_1 \\ \Delta_2 \\ 0 \end{bmatrix}, \Delta_1 = \begin{bmatrix} 0 \\ \cdots \\ b\Delta_1 \end{bmatrix}$$

25

With the following definition of the error vector

$$E^T \equiv [(\xi_l - \xi)^T \quad (z_l - z_1)^T \quad (x_{cl} - x_c)^T] \quad (18)$$

30

Following (6) and (17), the error dynamics can be expressed as:

$$\begin{aligned} \dot{E} &= \bar{A}E + \bar{b}(u_{NN} - \Delta_1) - B\Delta_2 \\ z &= \bar{C}E \end{aligned} \quad (19)$$

35

where z represents the signals available for feedback:

$$z = \begin{bmatrix} y_l - y \\ x_{cl} - x_c \end{bmatrix} = \begin{bmatrix} c_m & 0 \\ 0 & I \end{bmatrix} E \quad (20)$$

5 and $B^T = [0 \ I \ 0]$, $I \in R^{(m-r) \times (m-r)}$. The weight adaptation laws are similar to the ones proposed in previous works. Introduce the following linear error observer for the dynamics in (19):

$$\begin{aligned} \dot{\hat{E}} &= \bar{A}\hat{E} + K(z - \hat{z}) \\ \hat{z} &= \bar{C}\hat{E} \end{aligned} \quad (21)$$

10

Where K is chosen to make $\bar{A} - K\bar{C}$ stable, and the following adaptive laws:

$$\begin{aligned} \dot{\hat{M}} &= -F \left[(\hat{\sigma} - \hat{\sigma}' \hat{N}^T \eta) \hat{E}^T P \bar{b} + k \hat{M} \right] \\ \dot{\hat{N}} &= -G \left[\eta \hat{E} P \bar{b} \hat{M}^T \hat{\sigma}' + k \hat{N} \right] \end{aligned} \quad (22)$$

15 in which $F, G > 0$ are positive definite adaptive gain matrices, $k > 0$ is a constant, $\hat{\sigma} \equiv \sigma(\hat{N}\eta)$, $\hat{\sigma}'$ is the Jacobian computed at the estimates. From this point on the stability analysis laid out in previous works can be followed to prove ultimate boundedness of error signals in (19). However, it is important to point out the difference between the error dynamics in previous works and the one in (19). The error dynamics in previous works have only matched uncertainty, i.e. the forcing

20 term therein has the form $\bar{b}(u_{NN} - \Delta_1)$. In (19), due to the possible non-minimum phase nature of the nonlinear system, the error dynamics may also involve the states of the internal dynamics, which results in unmatched uncertainty Δ_2 . However, equations (7-10) imply that the unmatched uncertainty satisfies a linear

25 bound in the error norm. This type of upper bound can always be encompassed by the stability proof at the price of having larger ultimate bounds.

[00035] Specifically, if the systems in (1) and (2) are minimum phase, the conditions (7-10) are not required. The linear controller in (3) can be designed to

30 stabilize only the ξ_l dynamics in (2), thus having the closed loop system in (4) without z_l states. The error vector (18) can be defined without the $z_l - z_1$ states, and thus the unmatched uncertainty Δ_2 will not be present in the error dynamics.

[00036] In many realistic applications it is of great interest to achieve tracking performance with the smallest possible ultimate bound. For non-minimum phase systems this is hard to ensure even for linear systems. Towards this end, depending upon the particular application, the control design in (12) can be augmented by an additional linear compensator. Consider the following augmentation of the controller in (12):

$$\bar{u} = u + u_{dc}, \quad (23)$$

10

where u has been defined in (12), and u_{dc} is a linear dynamic compensator, defined as:

$$\begin{aligned} \dot{x}_{dc} &= A_{dc}x_{dc} + B_{dc}z \\ u_{dc} &= c_{dc}^T x_{dc} + d_{dc}z. \end{aligned} \quad (24)$$

15

With \bar{u} defined in (23), the dynamics in (17) can be rewritten:

$$\begin{aligned} \dot{x} &= \bar{A}x + \bar{b}_r y_c - \bar{b}(u_{NN} + u_{dc}) + \Delta \\ y &= \bar{c}_y x \\ \dot{z}_2 &= f_2(z_2, z_1, \xi) \end{aligned} \quad (25)$$

[00037] Applying the controller in (24) to dynamics (25), and comparing it with the reference model of (6) leads to the following redefined error dynamics:

$$\begin{bmatrix} \dot{E} \\ \dot{x}_{dc} \end{bmatrix} = \begin{bmatrix} \bar{A} + \bar{b}d_{dc}\bar{C} & \bar{b}c_{dc} \\ B_{dc}\bar{C} & A_{dc} \end{bmatrix} \begin{bmatrix} E \\ x_{dc} \end{bmatrix} + \begin{bmatrix} \bar{b} \\ 0 \end{bmatrix} (u_{NN} - \Delta_1) - \begin{bmatrix} B \\ 0 \end{bmatrix} \Delta_2$$

25 That can be re-written:

$$\dot{E}_a = LE_a + \begin{bmatrix} \bar{b} \\ 0 \end{bmatrix} (u_{NN} - \Delta_1) - \begin{bmatrix} B \\ 0 \end{bmatrix} \Delta_2 \quad (26)$$

[00038] Notice that with the choice of design gains in (24) the eigenvalues of L can always be placed in the open left-half plane. The dynamics in (26) are similar to that in (19), except for the dimension of the error vector. Thus its stability analysis can be carried out along similar lines.

30

INDUSTRIAL APPLICABILITY

The invention has applicability in a wide range of industries, including aerospace, automotive, chemical, machine tool, robotics, marine vessels, motion control industries, to mention but a few applications of the disclosed invention.

CLAIMS

1. An apparatus receiving a commanded output signal y_c to control a plant, the apparatus having a nominal controller implementing a plant model to control a plant to generate plant output signal y that is a function of all states of the plant, at least one of the plant states being unavailable, the nominal controller generating a nominal controller signal $u_{ec}(y)$, the apparatus characterized by:

a reference model unit generating a plant model output signal y_m based on the commanded output signal y_c , using a reference controller identical to the nominal controller, and a plant model identical to that upon which the nominal controller was based;

a first combining unit coupled to receive and difference the plant output signal y and the plant model output signal y_m to generate the plant output error signal \tilde{y} ;

an adaptive control unit coupled to receive the plant output error signal \tilde{y} , and comprising an error observer to generate an observed error signal \hat{E} that estimates errors in all states of the plant, including those plate states that are unavailable, the adaptive control unit further comprising a neural network having connection weights M, N updated based on the observed error signal \hat{E} , the neural network receiving a plant control signal u and the plant output signal y as inputs, and generating a neural network control signal u_{NN} based on the plant control signal u , the plant output signal y , and the connection weights M, N , the adaptive control unit outputting an adaptive control signal u_{ad} based on the neural network control signal u_{NN} ; and

a second combining unit coupled to receive the nominal controller signal $u_{ec}(y)$ and the adaptive control signal u_{ad} , and generating the plant control signal u to control the plant based on the nominal controller signal $u_{ec}(y)$ and the adaptive control signal u_{ad} .

2. An apparatus as claimed in claim 1 wherein the adaptive control unit comprises a time delay unit coupled to receive and delay the plant control signal u and the plant output signal y to generate a delayed plant control signal u_d and a delayed plant output signal y_d , respectively, the time delay unit coupled to provide

the delayed plant control signal u_d and a delayed plant output signal y_d as inputs to the neural network for generation of the neural network control signal u_{NN} .

3. An apparatus as claimed in claim 1 wherein the nominal controller
5 generates a nominal controller state signal x_c , and the reference controller generates a reference controller state signal x_{cm} , and the adaptive control unit comprises a combining unit coupled to receive and difference the nominal controller state signal x_c and the reference controller state signal x_{cm} , to generate a controller state error signal $x_{cm} - x_c$ for use by the error observer in generating the observed error
10 signal \hat{E} .

4. An apparatus as claimed in claim 3 wherein the adaptive control unit comprises an auxiliary controller coupled to receive the plant output signal y and the controller state error signal $x_{cm} - x_c$, and generating an auxiliary controller
15 signal u_{dc} based on the plant output signal y and the controller state error signal $x_{cm} - x_c$, the adaptive control unit further comprising a third combining unit coupled to receive the auxiliary controller signal u_{dc} and the neural network control signal u_{NN} to generate the adaptive control signal u_{ad} , the auxiliary controller further coupled to provide the auxiliary controller signal u_{dc} to the error observer for use in
20 generating the observed error signal \hat{E} .

5. An apparatus as claimed in claim 4 wherein the auxiliary controller is a linear controller.

25 6. An apparatus as claimed in claim 1 wherein the plant comprises at least one of is an aircraft, spacecraft, missile, munition, satellite, robot, ground vehicle, underwater vehicle, surface ship, chemical process, industrial process, weather system, economic system, and any subsystem thereof.

30 7. An apparatus as claimed in claim 1 wherein the apparatus is used to control a non-minimum phase system.

8. An apparatus receiving a commanded output signal y_c to control a plant, the apparatus for augmenting a nominal controller, the nominal controller

generating a nominal controller signal $u_{ec}(y)$ and a controller state signal x_c based on the commanded output signal y_c and the plant output signal y , the apparatus characterized by:

5 a reference model unit generating a reference model output signal y_m and reference controller state signal x_c based on the commanded output signal y_c and a reference controller that is a replication of the nominal controller and a plant model upon which the nominal controller is based; and

an adaptive control unit coupled to the nominal controller and the reference model unit, and generating an adaptive control signal u_{ad} based on the
10 output error signal \tilde{y} , the controller state signal x_c , and the reference controller state signal x_{cm} ,

the plant controlled based on the nominal controller signal $u_{ec}(y)$ generated by the nominal controller and the adaptive control signal u_{ad} generated by the adaptive control unit.

15

9. An apparatus as claimed in claim 8 wherein the reference model unit comprises a combining unit, a reference controller, and a plant model, the combining unit coupled to receive and difference the commanded output signal y_c and the plant model output signal y_m to generate reference controller input signal y_c
20 $- y_m$ supplied to the reference controller for use in generating the reference controller signal $u_{ec}(y_m)$ supplied to the plant model to generate the reference model output signal y_m .

10. An apparatus as claimed in claim 9 wherein the nominal controller and
25 the reference controller are identical and designed for controlling the plant according to the plant model.

11. An apparatus as claimed in claim 8 further characterized by:

a combining unit coupled to receive and difference the nominal
30 controller output signal $u_{ec}(y)$ and the adaptive control signal u_{ad} to generate a nominal controller signal u to control the plant.

12. An apparatus as claimed in claim 8 further characterized by:

a combining unit coupled to receive and difference the nominal controller output signal $u_{ec}(y)$ and the adaptive control signal u_{ad} to generate a plant control signal u to control the plant.

5

13. An apparatus as claimed in claim 8 further characterized by:

a combining unit coupled to receive and difference the plant output signal y and the reference model output signal y_m to generate an output error signal \tilde{y} supplied to the adaptive control unit for use in generating the adaptive control signal.

10

14. An apparatus as claimed in claim 8 wherein the adaptive control unit comprises:

a combining unit coupled to receive and difference the controller state signal x_c , and the reference controller state signal x_{cm} to generate the controller state error signal $x_{cm} - x_c$; and

15

an error observer coupled to receive the output error signal \tilde{y} and the controller state error signal $x_{cm} - x_c$ and generating the observed error signal \hat{E} based the output error signal \tilde{y} and the controller state error signal $x_{cm} - x_c$;

20

a time delay unit coupled to receive and delay the plant control signal u to generate a delayed plant control signal u_d , and coupled to receive and delay the plant output signal y to generate a delayed plant output signal y_d ;

25

a neural network coupled to receive the observed error signal \hat{E} , the current plant control signal u , the delayed plant control signal u_d , the current plant output signal y , and the delayed plant output signal y_d , and generating a neural network output signal u_{NN} for generation of the adaptive control signal u_{ad} .

15. An apparatus as claimed in claim 8 wherein the adaptive control unit further comprises:

30

an auxiliary controller coupled to receive the output error signal \tilde{y} and the controller state error signal $x_{cm} - x_c$, and generating a auxiliary control signal u_{dc} , the auxiliary controller coupled to provide the auxiliary controller signal u_{dc} to the error observer; and

a fifth combining unit coupled to receive and difference the neural network output signal u_{NN} and the auxiliary controller signal u_{dc} to generate the adaptive control signal u_{ad} .

5 16. An apparatus as claimed in claim 15 wherein the auxiliary controller is linear.

17. An apparatus as claimed in claim 8 further comprising:

 at least one actuator coupled to receive the plant control signal u
10 and coupled to the plant, and controlling the plant based on the plant control signal u .

18. An apparatus as claimed in claim 17 wherein the actuator comprises at least one of an aerodynamic control surface, synthetic jet, vortex generator,
15 reaction control jet, thrust vectoring nozzle, and reaction wheel.

19. An apparatus as claimed in claim 8 further comprising:

 at least one sensor coupled to the plant and generating the plant output signal y based on a sensed output of the plant.

20

20. An apparatus as claimed in claim 19 wherein the plant comprises an aircraft, and the sensed output comprises at least one of pitch, roll, and yaw attitudes, thrust, body angular rates, air speed, angle of attack, sideslip, angle of sideslip, position, velocity, and acceleration of the aircraft, and one or more
25 components thereof.

21. An apparatus as claimed in claim 8 wherein the plant comprises at least one of is an aircraft, spacecraft, missile, munition, satellite, robot, ground vehicle, underwater vehicle, surface ship, chemical process, industrial process, weather
30 system, economic system, and any subsystem thereof.

22. An apparatus receiving a commanded output signal y_c to control an plant, the apparatus characterized by:

an nominal controller generating a nominal controller output signal $u_{ec}(y)$ and a controller state signal x_c based on the commanded output signal y_c and the plant output signal y ;

a reference model unit generating a reference model output signal y_m and reference controller state signal x_c based on the commanded output signal y_c and a replication of the nominal controller and a plant model upon which a control law of the nominal controller is based; and

an adaptive control unit coupled to the nominal controller and the reference model unit, and generating an adaptive control signal u_{ad} based on the output error signal \tilde{y} , the controller state signal x_c , and the reference controller state signal x_{cm} ,

the plant controlled based on the nominal controller output signal $u_{ec}(y)$ generated by the nominal controller and the adaptive control signal u_{ad} generated by the adaptive control unit.

23. An apparatus as claimed in claim 22 wherein the reference model unit comprises a combining unit, a reference controller, and a plant model, the combining unit coupled to receive and difference the commanded output signal y_c and the plant model output signal y_m to generate commanded output error signal $y_c - y$ supplied to the reference controller for use in generating the reference controller signal $u_{ec}(y_m)$ supplied to the plant model to generate the reference model output signal y_m .

25

24 An apparatus as claimed in claim 23 wherein the nominal controller and the reference controller are identical and designed for controlling the plant according to the plant model.

25. An apparatus as claimed in claim 22 further characterized by:

a combining unit coupled to receive and difference the nominal controller output signal $u_{ec}(y)$ and the adaptive control signal u_{ad} to generate an plant control signal u to control the plant.

26. An apparatus as claimed in claim 22 further characterized by:

a combining unit coupled to receive and difference the nominal controller output signal $u_{ec}(y)$ and the adaptive control signal u_{ad} to generate an plant control signal u to control the plant.

5

27. An apparatus as claimed in claim 22 further characterized by:

a combining unit coupled to receive and difference the plant output signal y and the reference model output signal y_m to generate an output error signal \tilde{y} supplied to the adaptive control unit for use in generating the adaptive control signal u_{ad} .

10

28. An apparatus as claimed in claim 22 wherein the adaptive control unit comprises:

a combining unit coupled to receive and difference the controller state signal x_c , and the reference controller state signal x_{cm} to generate the controller state error signal $x_{cm} - x_c$; and

15

an error observer coupled to receive the output error signal \tilde{y} and the controller state error signal $x_{cm} - x_c$ and generating the observed error signal \hat{E} based the output error signal \tilde{y} and the controller state error signal $x_{cm} - x_c$;

20

a time delay unit coupled to receive and delay the plant control signal u to generate a delayed plant control signal u_d , and coupled to receive and delay the plant output signal y to generate a delayed plant output signal y_d ;

25

a neural network coupled to receive the observed error signal \hat{E} , the current plant control signal u , the delayed plant control signal u_d , the current plant output signal y , and the delayed plant output signal y_d , and generating a neural network output signal u_{NN} for generation of the adaptive control signal u_{ad} .

29. An apparatus as claimed in claim 22 wherein the adaptive control unit further comprises:

30

an auxiliary controller coupled to receive the output error signal \tilde{y} and the controller state error signal $x_{cm} - x_c$, and generating a auxiliary control signal u_{dc} , the auxiliary controller coupled to provide the auxiliary control signal u_{dc} to the error observer; and

a fifth combining unit coupled to receive and difference the neural network output signal NN and the auxiliary control signal u_{dc} to generate the adaptive control signal u_{ad} .

5 30. An apparatus as claimed in claim 29 wherein the auxiliary controller comprises a linear controller.

31. An apparatus as claimed in claim 22 further comprising:

10 at least one actuator coupled to receive the plant control signal u and coupled to the plant, and controlling the plant based on the plant control signal u .

32. An apparatus as claimed in claim 31 wherein the actuator comprises at least one of an aerodynamic control surface, synthetic jet, vortex generator, 15 reaction control jet, thrust vectoring nozzle, and reaction wheel.

33. An apparatus as claimed in claim 22 further comprising:

20 at least one sensor coupled to the plant and generating the plant output signal y based on a sensed output of the plant.

34. An apparatus as claimed in claim 33 wherein the plant is an aircraft, and the sensed output comprises at least one of pitch, roll, and yaw attitudes, thrust, body angular rates, air speed, angle of attack, sideslip, angle of sideslip, position, velocity, and acceleration of the aircraft, and one or more components 25 thereof.

35. An apparatus as claimed in claim 22 wherein the plant comprises at least one of is an aircraft, spacecraft, missile, munition, satellite, robot, ground vehicle, underwater vehicle, surface ship, chemical process, industrial process, 30 weather system, economic system, and any subsystem thereof.

36. An apparatus receiving a commanded output signal y_c to control an plant, the apparatus characterized by:

5 a first combining unit coupled to receive and difference the commanded output signal y_c and a plant output signal y to generate a commanded output error signal $y_c - y$;

an nominal controller coupled to receive a commanded output error signal $y_c - y$, the nominal controller generating the nominal controller output signal $u_{ec}(y)$ and a controller state signal x_c based on the commanded output error signal $y_c - y$;

10 a reference model unit coupled to receive a commanded output signal y_c , and having a reference controller and a plant model, the reference model unit generating a reference controller signal $u_{ec}(y_m)$ and a reference controller state signal x_{cm} based on the commanded output signal y_c and a reference model output signal y_m of the plant model, the reference controller coupled to provide the
15 reference controller signal $u_{ec}(y_m)$ to the plant model, the plant model generating the reference model output signal y_m based on the reference controller signal $u_{ec}(y_m)$;

a second combining unit coupled to receive and difference the reference controller signal $u_{ec}(y)$ and an adaptive control signal u_{ad} to generate an
20 plant control signal u , the second combining unit coupled to provide the plant control signal u to the plant, the plant generating the plant output signal y based on the plant control signal u ;

a third combining unit coupled to receive and difference the plant output signal y and the plant model output signal y_m to generate an output error
25 signal \tilde{y} ;

an adaptive control unit coupled to receive the output error signal \tilde{y} , the controller state signal x_c , and the reference controller state signal x_{cm} , and generating the adaptive control signal u_{ad} based on the output error signal \tilde{y} , the controller state signal x_c , and the reference controller state signal x_{cm} .

30

37. An apparatus as claimed in claim 36 wherein the nominal controller and the reference controller are identical.

38. An apparatus as claimed in claim 36 wherein the adaptive control unit comprises:

- a fourth combining unit coupled to receive and difference the controller state signal x_c , and the reference controller state signal x_{cm} to generate the controller state error signal $x_{cm} - x_c$; and
- an error observer coupled to receive the output error signal \tilde{y} and the controller state error signal $x_{cm} - x_c$ and generating the observed error signal \hat{E} based the output error signal \tilde{y} and the controller state error signal $x_{cm} - x_c$;
- a time delay unit coupled to receive and delay the plant control signal u to generate a delayed plant control signal u_d , and coupled to receive and delay the plant output signal y to generate a delayed plant output signal y_d ;
- a neural network coupled to receive the observed error signal \hat{E} , the current plant control signal u , the delayed plant control signal u_d , the current plant output signal y , and the delayed plant output signal y_d , and generating a neural network output signal u_{NN} for generation of the adaptive control signal u_{ad} .

39. An apparatus as claimed in claim 36 wherein the adaptive control unit further comprises:

- an auxiliary controller coupled to receive the output error signal \tilde{y} and the controller state error signal $x_{cm} - x_c$, and generating a auxiliary control signal u_{dc} , the auxiliary controller coupled to provide the auxiliary control signal u_{dc} to the error observer; and
- a fifth combining unit coupled to receive and difference the neural network output signal u_{NN} and the auxiliary control signal u_{dc} to generate the adaptive control signal u_{ad} .

40. An apparatus as claimed in claim 39 wherein the auxiliary controller is linear.

41. An apparatus as claimed in claim 36 further comprising:

- at least one actuator coupled to receive the plant control signal u and coupled to the plant, the actuator controlling the plant based on the plant control signal u .

42. An apparatus as claimed in claim 41 wherein the actuator comprises at least one of an aerodynamic control surface, synthetic jet, vortex generator, reaction control jet, thrust vectoring nozzle, and reaction wheel.

5 43. An apparatus as claimed in claim 36 further comprising:
 at least one sensor coupled to the plant and generating the plant output signal y based on a sensed output of the plant.

10 44. An apparatus as claimed in claim 43 wherein the plant is an aircraft, and the sensed output comprises at least one of pitch, roll, and yaw attitudes, thrust, body angular rates, air speed, angle of attack, sideslip, angle of sideslip, position, velocity, and acceleration of the aircraft, and one or more components thereof.

15 45. An apparatus as claimed in claim 36 wherein the actuator comprises at least one of an aerodynamic control surface, synthetic jet, vortex generator, reaction control jet, thrust vectoring nozzle, and reaction wheel.

20 46. An apparatus comprising:
 an auxiliary controller coupled to receive an output error signal \tilde{y} generated based on a combination of a plant output signal y and a reference model output signal y_m , and a combination of the nominal controller state signal x_c and the nominal controller state signal x_{cm} , and generating an auxiliary controller signal u_{dc} .

25 47. An apparatus as claimed in claim 46 further comprising:
 a first combining unit coupled to receive and difference the nominal controller state signal x_c , and the reference controller state signal x_{cm} to generate the controller state error signal $x_{cm} - x_c$;
30 an error observer coupled to receive the output error signal \tilde{y} and a state error signal $x_{cm} - x_c$, and generating an observed error signal \hat{E} based on the output error signal \tilde{y} and a controller state error signal $x_{cm} - x_c$;

a time delay unit receiving and delaying the plant control signal u and the plant output signal y to generate the delayed plant control signal u_d and the delayed plant output signal y_d ; and

a neural network coupled to receive the observed error signal \hat{E} , the
5 current plant control signal u , delayed plant control signal u_d , current plant output
signal y , and the delayed plant output signal y_d , and generating a neural network
control signal u_{NN} based on the observed error signal \hat{E} , current plant control signal
 u , the delayed plant control signal u_d , current plant output signal y , and the delayed
plant output signal y_d , the neural network providing the neural network control
10 signal u_{NN} as the adaptive control signal u_{ad} used to control a plant.

48. An apparatus as claimed in claim 46 wherein the current plant control
signal u , delayed plant control signal u_d , the current plant output signal y , and the
delayed plant output signal y_d are input to neurons of the neural network and the
15 observed error signal \hat{E} is used to adapt the connection weights M , N of the
functions $\sigma(\)$ of the neurons.

49. An apparatus as claimed in claim 47 further comprising:

an auxiliary controller coupled to receive the output error signal \tilde{y}
20 and the controller state error signal $x_{cm} - x_c$, and generating a auxiliary control
signal u_{dc} , the auxiliary controller coupled to provide the auxiliary controller signal
 u_{dc} to the error observer; and

a second combining unit coupled to receive and difference the
neural network control signal u_{NN} and the auxiliary controller signal u_{dc} to generate
25 an adaptive control signal u_{ad} to control a plant.

50. An apparatus as claimed in claim 48 wherein the auxiliary controller
comprises a linear controller.

51. A method characterized by the steps of:

- receiving a commanded output signal y_c ;
- receiving an plant output signal y ;
- generating a nominal controller signal $u_{ec}(y)$ and a controller state
- 5 signal x_c based on the commanded output signal y_c and the plant output signal y ;
- generating a reference controller signal $u_{ec}(y_m)$ and a reference
- controller state signal x_{cm} based on the commanded output signal y_c and the plant
- model output signal y_m ;
- generating the reference model output signal y_m based on the
- 10 reference controller signal $u_{ec}(y_m)$ and a plant model;
- generating an output error signal \tilde{y} based on the plant output signal
- y and the reference model output signal y_m ;
- generating an adaptive control signal u_{ad} based on the output error
- signal \tilde{y} , a plant control signal u , the nominal controller state signal x_c , and the
- 15 reference controller state signal x_{cm} ;
- generating an plant control signal u based on the nominal controller
- signal $u_{ec}(y)$ and the adaptive control signal u_{ad} ; and
- controlling the plant based on the plant control signal u .

20 52. A method as claimed in claim 50 wherein the nominal controller signal $u_{ec}(y)$ and the controller state signal x_c are generated by a nominal controller.

53. A method as claimed in claim 51 wherein the reference controller signal $u_{ec}(y_m)$ and a reference controller state signal x_{cm} are generated by a reference

25 controller identical to the nominal controller, and the plant model upon which the design of the nominal controller was based.

54. A method as claimed in claim 50 further characterized by the step of:

- generating a controller state error signal $x_{cm} - x_c$ based on the
- 30 controller state signal x_c and the reference controller state signal x_{cm} ;
- generating the observed error signal \hat{E} based the output error signal
- \tilde{y} and the controller state error signal $x_{cm} - x_c$;
- delaying the plant control signal u to generate a delayed plant
- control signal u_d ;

delaying the plant output signal y to generate a delayed plant output signal y_d ; and

generating a neural network output signal u_{NN} for generation of the adaptive control signal u_{ad} based on the observed error signal \hat{E} , the current plant control signal u , the delayed plant control signal u_d , the current plant output signal y , and the delayed plant output signal y_d .

55. A method as claimed in claim 53 further characterized by the step of:

generating an auxiliary controller signal u_{dc} based on the output error signal \tilde{y} and the controller state error signal $x_{cm} - x_c$; and

providing the auxiliary controller signal u_{dc} to an error observer for use in generating the observed error signal \hat{E} ; and

generating the adaptive control signal u_{ad} based on the neural network output signal u_{NN} and the auxiliary controller signal u_{dc} .

15

56. A method of controlling a plant, the method characterized by the step of:

augmenting a controller with a reference model unit and an adaptive control unit having a neural network, to implement adaptive output feedback control of the plant.

57. A method as claimed in claim 55 wherein the reference model unit comprises a reference controller and a plant model.

58. A method as claimed in claim 55 wherein the reference controller is identical to the controller.

59. A method as claimed in claim 55 wherein the nominal controller was designed based on the plant model.

60. A method as claimed in claim 55 wherein the adaptive control unit comprises an error observer, a neural network, and a time delay unit.

61. A method as claimed in claim 55 wherein the adaptive control unit further comprises an auxiliary controller.

62. A method as claimed in claim 60 wherein the auxiliary controller comprises a linear controller.

63. A method as claimed in claim 55 wherein the controller and the plant are parts of a non-minimum phase system.

64. A method comprising:

combining a plant output signal y of a non-minimum phase plant for which not all of the states can be sensed, and a reference model output signal y_m to generate an output error signal \tilde{y} ;

5 generating an adaptive control signal u_{ad} based on the output error signal \tilde{y} ; and

 augmenting a nominal controller output signal $u_{ec}(y)$ based on the adaptive control signal u_{ad} to generate a plant control signal u .

10 65. A method as claimed in claim 63 wherein the adaptive control signal u_{ad} is generated further based on the plant output signal y and the plant control signal u .

 66. A method as claimed in claim 63 wherein the adaptive control signal
15 u_{ad} is generated further based on a delayed plant control signal u_d and a delayed plant output signal y_d .

 67. A method as claimed in claim 63 wherein the adaptive control signal
20 u_{ad} is generated further based on a nominal controller state signal x_c and a reference controller state signal x_{cm} .

68. An apparatus for stabilizing and/or controlling a non-minimum phase, nonlinear plant with unmodeled dynamics and/or parametric uncertainty through the use of adaptive output feedback.

25

 69. An apparatus as claimed in claim 67 wherein the apparatus comprises a reference model unit generating a reference model output signal y_m and an adaptive control unit to augment a nominal controller generating an adaptive control signal u_{ad} to control the plant based on a output error signal \tilde{y} generated by differencing the
30 plant reference model output signal y_m and the plant output signal y .

70. An apparatus as claimed in claim 67 wherein the adaptive control unit comprises a neural network for use in generating the adaptive control signal u_{ad} based on the output error signal \tilde{y} .

5 71. An apparatus as claimed in claim 69 wherein the adaptive control unit comprises an error observer for generating an observer error signal for updating connection weights M, N of the neural network.

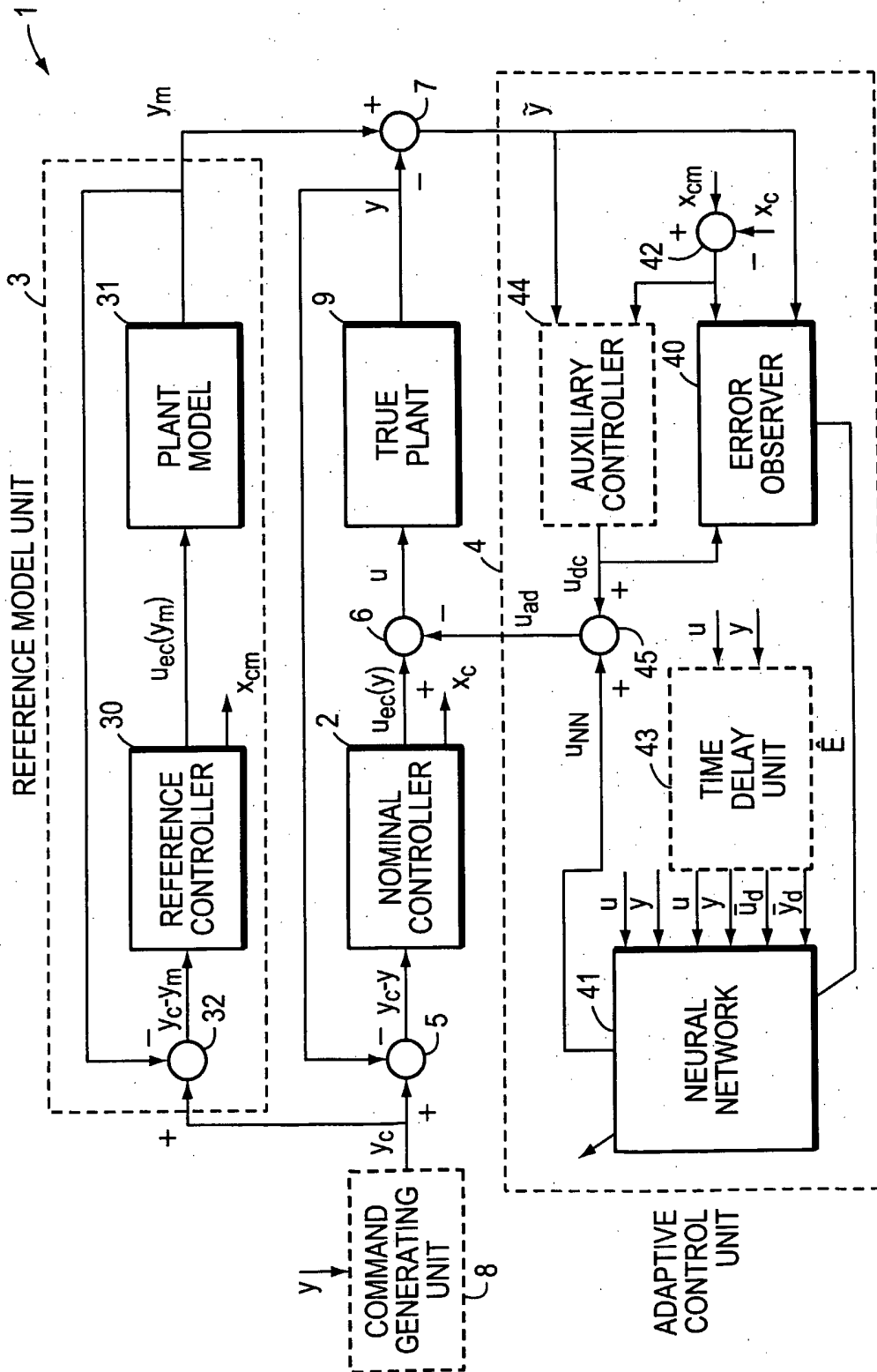


FIG. 1

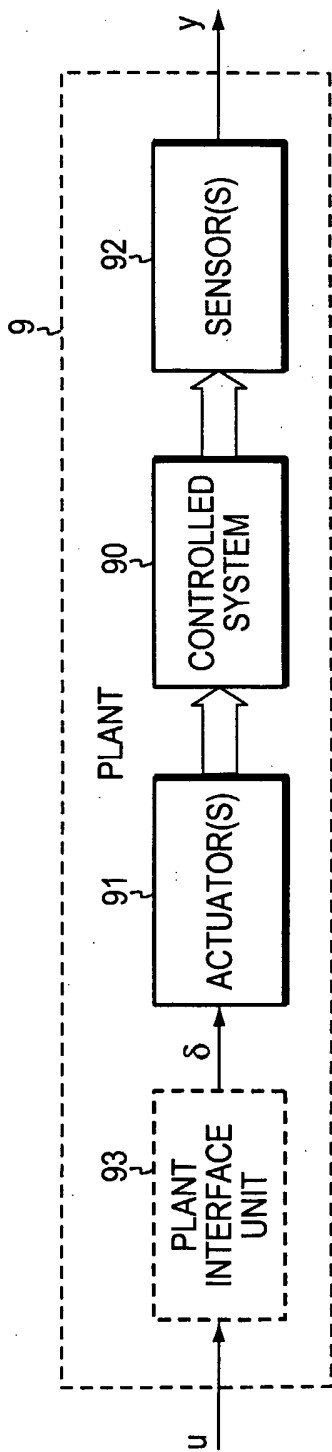


FIG. 2

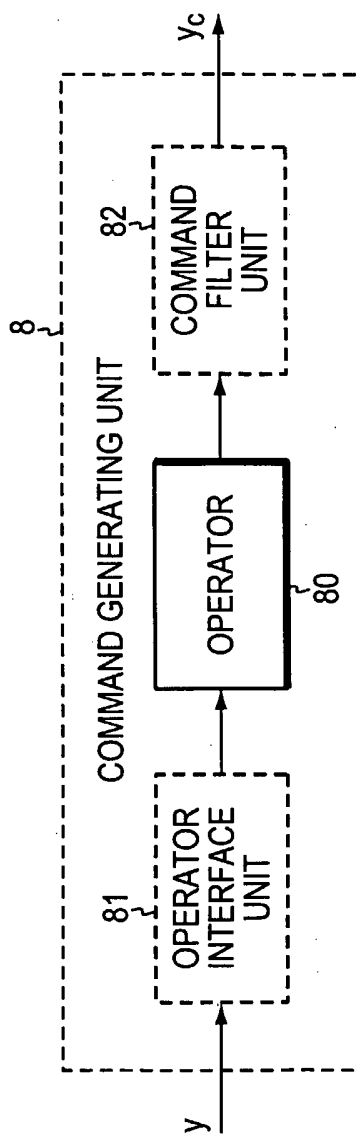


FIG. 3

PROCESSOR-BASED ADAPTIVE
OUTPUT FEEDBACK CONTROL APPARATUS CAPABLE
OF CONTROLLING A NON-MINIMUM PHASE SYSTEM

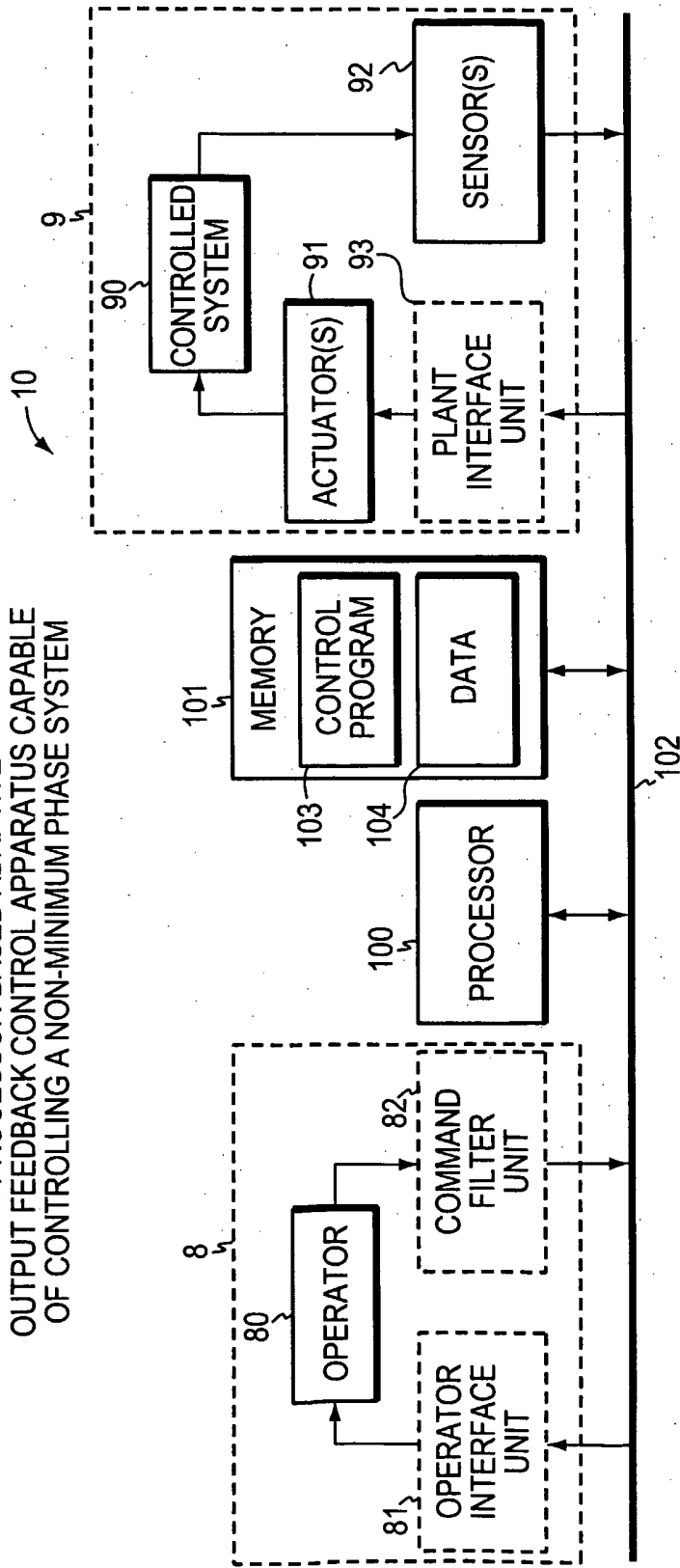


FIG. 4

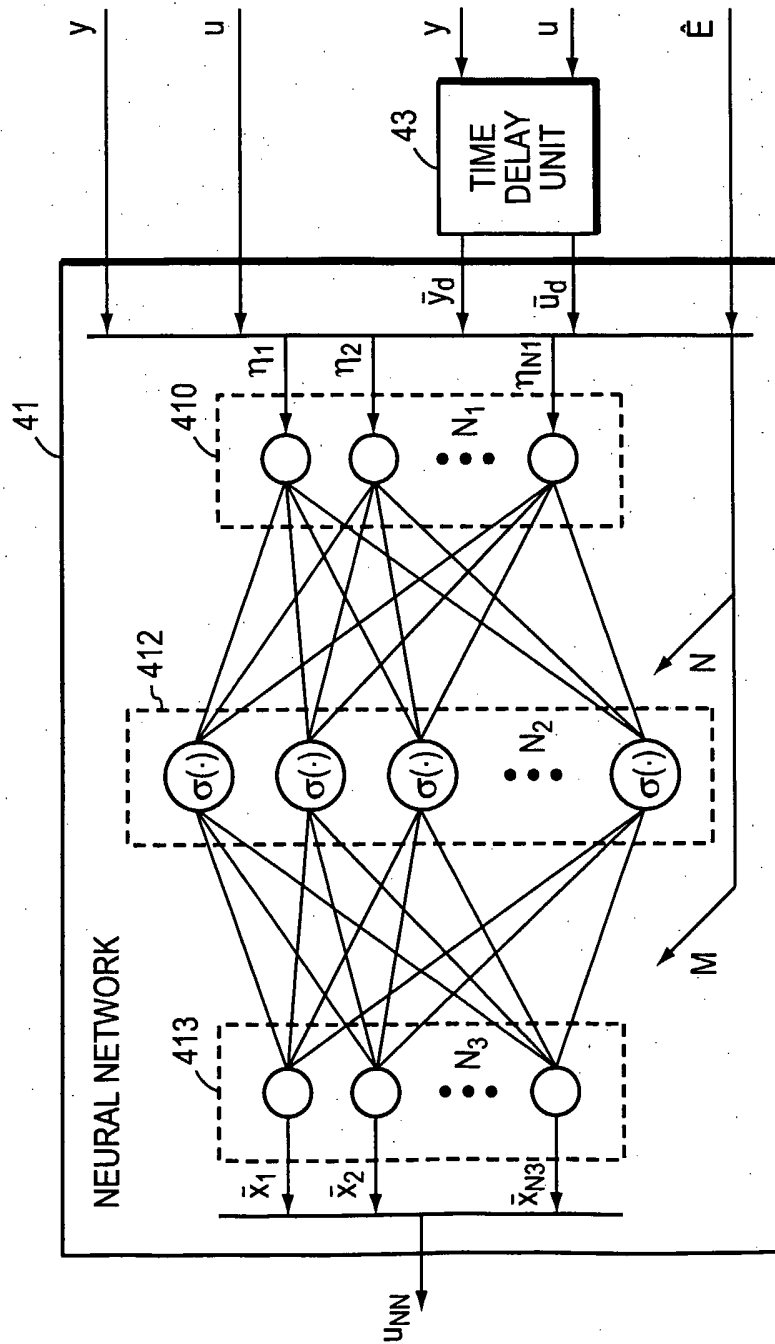


FIG. 5

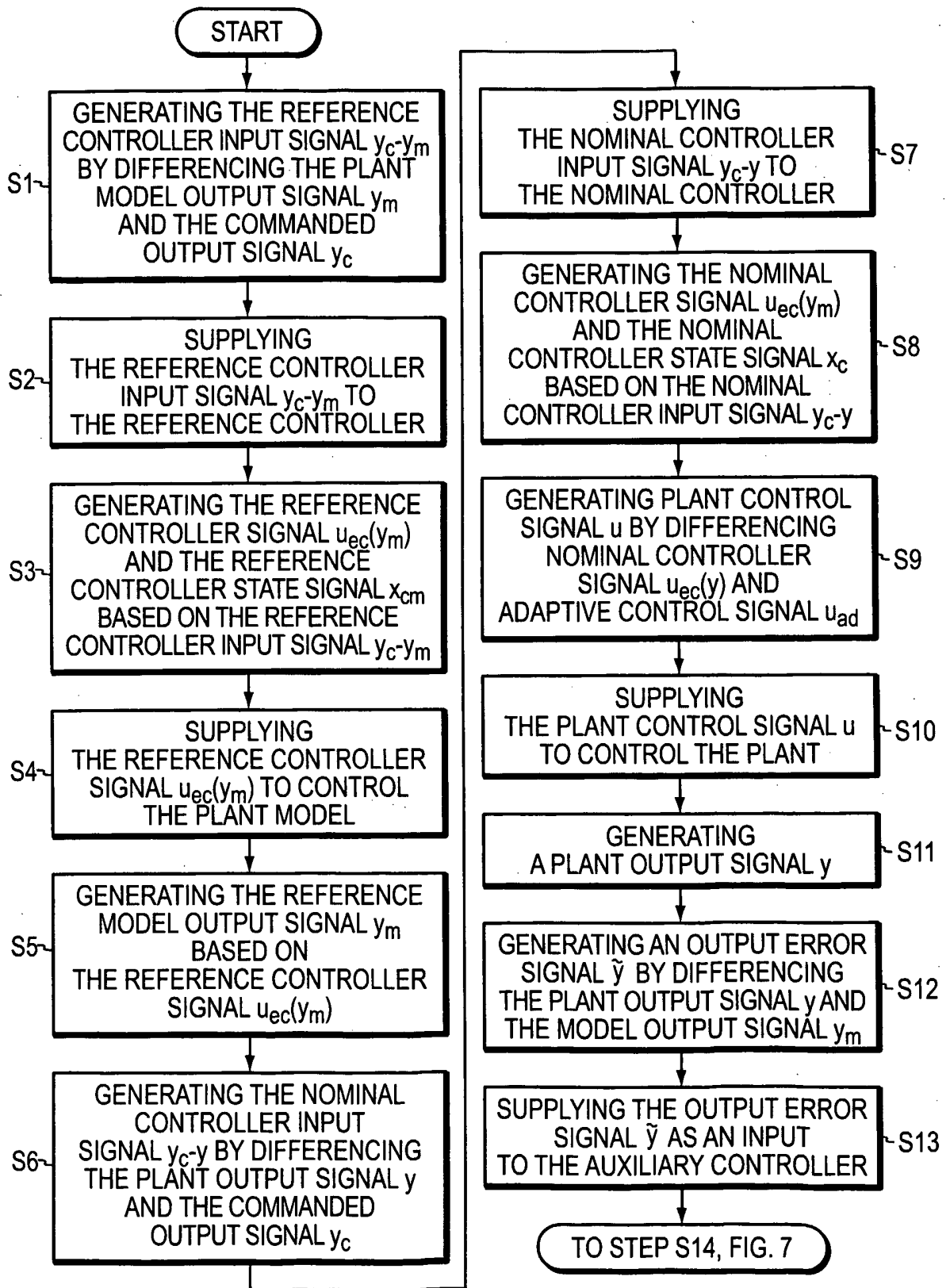


FIG. 6

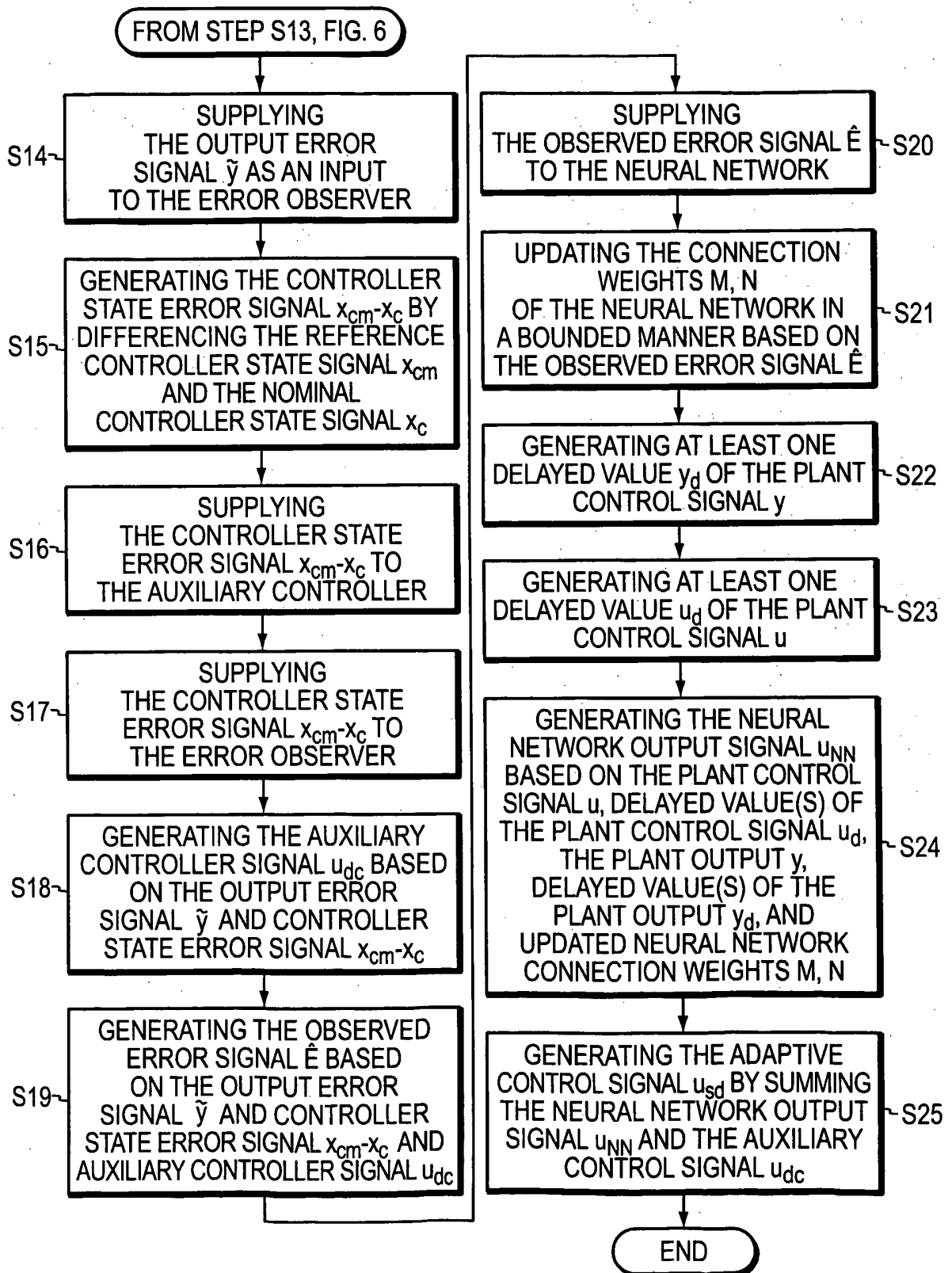


FIG. 7