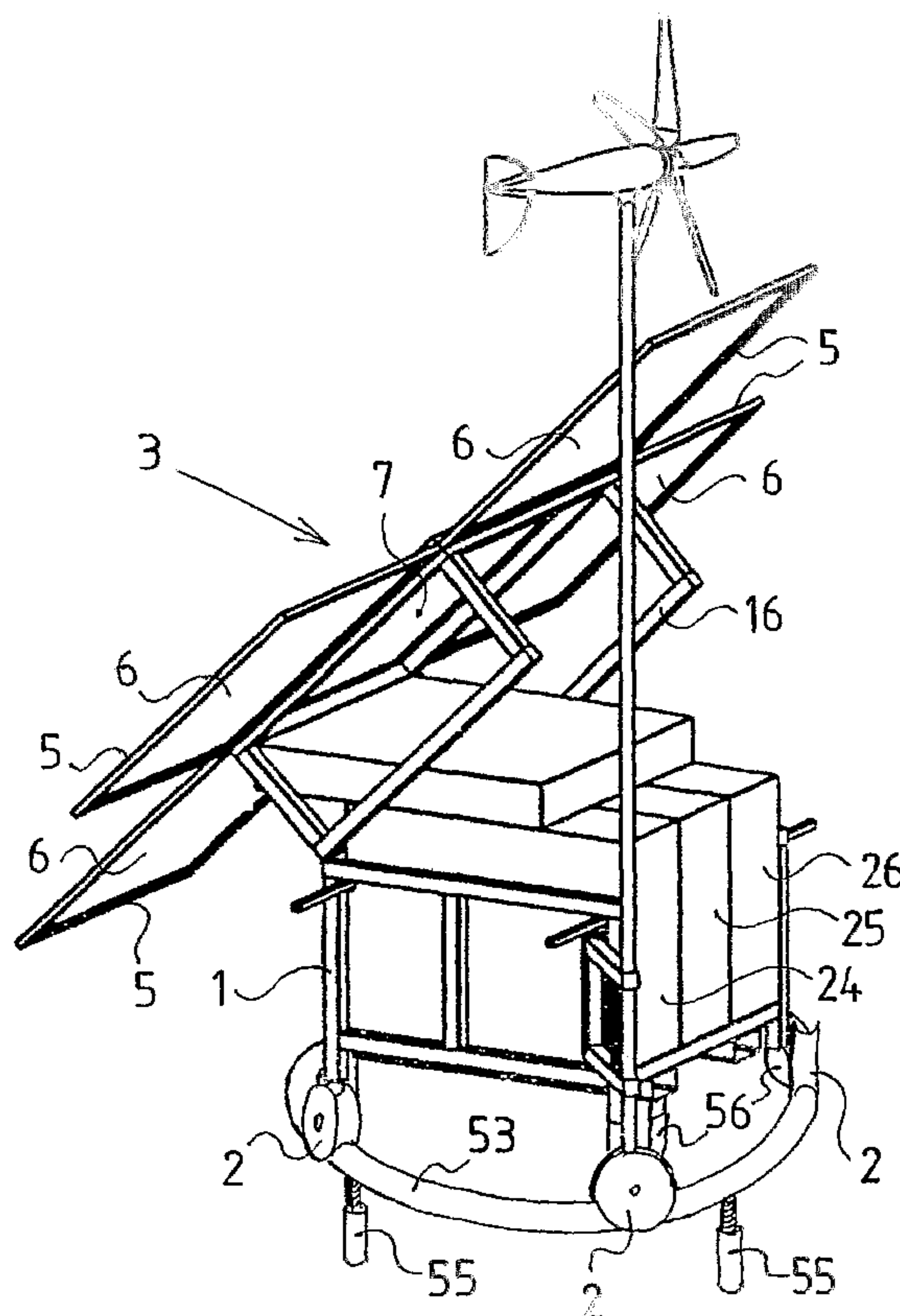




(86) Date de dépôt PCT/PCT Filing Date: 2004/04/06
 (87) Date publication PCT/PCT Publication Date: 2004/10/21
 (85) Entrée phase nationale/National Entry: 2005/10/07
 (86) N° demande PCT/PCT Application No.: CH 2004/000215
 (87) N° publication PCT/PCT Publication No.: 2004/090327
 (30) Priorité/Priority: 2003/04/07 (635/03) CH

(51) Cl.Int.⁷/Int.Cl.⁷ F03D 9/00
 (71) Demandeur/Applicant:
 NIEDERER, ROBERT, CH
 (72) Inventeur/Inventor:
 NIEDERER, ROBERT, CH
 (74) Agent: BORDEN LADNER GERVAIS LLP

(54) Titre : UNITE D'ALIMENTATION DE COURANT ET D'EAU A BASE D'ENERGIES RENOUVELABLES
 (54) Title: SUPPLY UNIT FOR POWER AND WATER BASED ON RENEWABLE ENERGY



(57) **Abrégé/Abstract:**

The supply unit consists of a box-shaped sectional frame (1), whose base side stands on wheels (2), a frame (16) that is quadratic when seen from the top being arranged on the top side (3) thereof, said frame containing a solar panel (7). Said panel can be hinged pivotally about a horizontal axis (8) in the top side of the box-shaped sectional frame (1). A peripheral quadratic frame (5) having the same size and containing a solar panel (6) is pivotally hinged on all sides of said quadratic frame (16) so that a cube shape is formed from the five quadratic frames (16;5) during their pivoting position. The peripherally hinged quadratic frames (5)

(57) **Abrégé(suite)/Abstract(continued):**

can be pivoted on the plane of the central quadratic frame (16) and can be locked in said pivoting position with respect to the central quadratic frame (16). The box-shaped sectional frame (1) contains modules (24-26) which can be pushed in in a drawer-like manner from one side and which locked in the pushed-in position, said modules enabling different functions such as accumulation of sun and wind energy, processing of drinking water, pumping of water, supply of electrical power or direct current-hydrogen generation using fuel cells.

Abstract

The supply unit comprises a box type profile frame (1), whose base rests on wheels (2) and on whose top side (3), a square frame (16), as seen from above, is placed, said frame containing a solar panel (7). This can be swiveled about a horizontal axis (8) and is so connected to one of the top sides of the box type profile frame (1). A peripheral, square frame (5) of same size, each containing a solar panel (6), is connected in a swiveling way to each side of this square frame (16), so that out of the five square frames (16;5), a cube is formed when these frames are swiveled down. The peripherally connected square frames (5) can be swiveled to the plane of the central square frame (16) and can be locked in this position to the central square frame (16). The box type profile frame (1) contains several box type modules (24-26), which can be inserted like drawers from one side and can be arrested in these inserted positions; these modules are for various functions like accumulation of energy from sun and wind, preparation of drinking water, pumping water, delivery of electric power or Direct Current-Hydrogen generation through fuel cells.

SUPPLY UNIT FOR ELECTRIC POWER AND WATER DERIVED FROM RENEWABLE ENERGIES

This invention relates to a supply unit for energy and water, with which, a house, a
5 cottage or a construction site can be supplied in a self sufficient manner with
electric power and also with adequate drinking water, if need be, from a public or
private energy and water utility. Sunlight and wind provide the energy for driving
this supply unit and the water is taken either from a nearby stretch of water like
lakes, rivers or canals or from ground water.

10

For everyday consumption and maintenance, approximately 25 KWH is
considered as sufficient, for a family, which lives in an apartment or a simple
house, i.e., daily electrical energy requirement for operating the usual electrical
appliances like vacuum cleaner, cooking pan, shaving equipment, food processor,
15 freezer, refrigerator etc. A house vacuum cleaner has a power consumption of
approx. 1000 W and hence 25 KWH is enough to operate the same round the
clock, which gives a fairly good idea of the energy requirement, discussed
hereinafter. In colder climate zones, the energy requirement is naturally higher
than in mild zones and again, in very hot climate zones, the energy requirement is
20 similarly higher when the living space has to be cooled; in hotter climate zones,
however, the sun shines more strongly and, as a rule, for longer period. On the
contrary, the wind often blows consistently, which can be utilized as dispenser of
energy. In many instances, the sun- and wind energies thus complement each
other.

25

An overview of power consumption for some typical equipment is given below, as
these are operated customarily in a single- or multi person household. The
consumption of each equipment or equipment type for a household, inhabited by
1, 2, 3 and 4 persons, is given, the household being situated in the climate zone
30 of central Europe. Source: Household power consumption 1997, Association of
Electrical Industries (VDEW), Stresemannallee 23, 60596 Frankfurt am Main,
Germany:

Equipment/Use	Yearly electricity use of individual appliances/equipment in KWh based on the number of household members			
	1	2	3	4
Number of Household Members	1	2	3	4
Electric Stove	210	405	465	600
1 Refrigerator	290	320	340	370
1 Freezer	310	360	430	435
Washing Machine	80	140	220	300
Dishwasher	130	210	260	430
Hot water for bath	470	780	1080	1390
Hot water for kitchen (without dishwasher)	250	300	350	420
Total hot water including dishwasher	720	1080	1430	1810
1 Television Set	110	140	175	190
Auxilliary equipment for central heating/heating system for 1 floor of a building	250	290	330	370
Light	200	295	340	450
Others, like radio, small appliances, hobby and handyman tools	290	450	520	600
Total Electricity use per year	3310	4770	5940	7365
Ø Total Electricity Use per Day	9.07	13.07	16.27	20.18

It is therefore understood that to meet all needs of a 4-person family, an average amount of energy of 20.18 kWh per day should suffice. The supply of water is not considered here. The pumping up of and providing for water, however, requires

5 comparatively less additional energy.

Although the supply of energy in industrialized nations, and in countries, which are at the stage of economic take off, take place from central power plants these days, this is not the case yet with many developing countries. A major portion of

10 the population has to wait for a power connection and would have been delighted

to have it and change their lives for the better. A lot of work would have been made simpler for the population with a supply of energy and water and also, thanks to an adequate supply of water, their hygiene and health condition would have improved drastically. The water is often available in wells or in water spots at
5 some distance but making it available, however, is troublesome. Water often has to be pumped by hand from a well or has to be obtained from a water source and carried over long distances to the dwelling places. Moreover, the quality of this water is often not pure and is even alarming. Not only in poor or underdeveloped countries generally, but also in remote settlement areas, in hilly- and desert areas,
10 natural parks, in holiday areas or on beaches, there is a shortage of power and water. There can also be temporary, local needs for electric power and water, not only in developing or about-to-be developed countries but also in industrial countries, caused by natural events, accidents, natural catastrophes or even war like situations when the public power supply has failed and the associated
15 infrastructure has also been destroyed. Till now, one has fallen back on emergency power supply units, which are driven by a diesel engine. In some countries, where the public electric power supply is less reliable, such units are found in many houses and commercial establishments, to be available in case of emergency, or electrical power is even produced permanently through such units.
20 One should think of fast growing cities in certain countries, where the exhaust pipes open directly into the streets and spread smoke and stench all round.

Therefore, there is a need for finding a supply unit for electric power and water, which works noiselessly, reliably, maintenance free, odour free and efficiently, and
25 can be operated by renewable energies. Such a supply unit also must be compact, light and mobile so that it can be transported, without much problem, by land, by water and by air to any desired place of use. This supply unit must be simple to operate and, according to the actual demand, should be quickly adaptable to the local need. It should be able to meet the demand for electric
30 power as well as drinking water, as long as water in the surrounding area is available in the form of ground water or a stretch of standing or flowing water. It must also be able to purify the water to the quality of potable water. Finally, one should be able to manufacture it economically so that it can be used by a large

number of people in places, where they live permanently or make a temporary stopover and where no power is otherwise available, the unit being so cost effective to procure and operate that people can afford it.

- 5 It is therefore an objective of the present invention to create a supply unit for electric power and water derived from renewable energies, which satisfies the above criteria and meets the electric power and water requirements of an average 4-person family and, to this end, can provide for an average daily amount of energy of at least 25 KWH, out of which a part is set aside for pumping water and
10 its purification to potable.

This objective is met through a supply unit for electric power and/or water derived from renewable energies, which is distinguished by the features that it comprises a box type profile frame, wherein the box sides build foldable solar panels in the
15 plane of the top side of the box and the cross shaped solar panel arrangement, so configured, can be tilted about a horizontal axis on the profile frame.

An embodiment of a supply unit according to the invention is shown in different representations in the drawings. The construction, the individual components and
20 the functioning of the supply unit for electric power and water are described later with the help of these drawings.

It is shown in:

- 25 Figure 1: The supply unit in a state for transportation.
- Figure 2: The supply unit in operating condition with open solar panels and the mounted wind mill.
- 30 Figure 3: The lower part of box type profile frame of the supply unit with open solar panels, with the hinge on the rear side of the picture and part of the open solar panel removed.

Figure 4: The lower part of the box type profile frame of the supply unit with the upper box type profile frame slightly swiveled up and the open solar panels thereupon, with the hinge on the right side of picture and the open solar panels removed.

5

Figure 5: A view on the inside of the module for water supply with the electric water pump, as seen from one side.

Figure 6: A view on the inside of the module for water supply with the filtering arrangement, as seen from the other side.

10

Figure 7: The push-in type module with the generator, which is driven by the windmill, with the carrier rod for that and the wind tail unit, and also the folded in blades of the wind mill in a state for transportation.

15

Figure 8: The push-in type module with the generator, which is driven by the windmill, the side control unit, carrier rod and windmill blades, as seen from the opposite side.

20

Figure 9: The push-in type module with the batteries.

Figure 10: The supply unit on a tubular ring on casters for swivelling about its normal axis.

25

The supply unit is shown in Figure 1 in non-operating condition or in the condition of transport. It is made up of a box type profile frame 1, which is made from a commercial grade aluminium profile, which has a square cross section and has a T-shaped spline with corresponding undercut on each of its length side. This box type profile frame 1 has identical length and width, while its height is somewhat smaller, for example, between $2/3^{\text{rd}}$ or $4/5^{\text{th}}$ of the length and width, which is made clearer through another Figure. The box type profile frame 1 stands on wheels 2, which are four freely steerable wheels 2 in the shown example and are mounted

30

at the bottom corners of profile frame 1. The whole supply unit becomes easily portable in this way and it can be rolled in all directions, which allows easy loading and unloading in a truck, loading in a container or moving about at a place. Two adjacent wheels 2 can be blocked around their vertical swivel axis, so that they
5 take the same rolling direction, which extends along the length of a frame side. The supply unit can then be pulled or pushed with rope by several persons or by a vehicle and it can also be then well steered. At the top side 3 of the box type profile frame 1 lies one box type profile frame 4, which has an identical outline as the former and contains a solar panel in its square upper side 3 which solar panel
10 is not shown in this illustration. This segregated box type 4 has a height of approximately one-fifth to one-third of the length and width of the box type profile frame 1, which means a height of about 20 cm to 35 cm and it lies congruent upon the lower profile frame 1. One of its bottom sides is coupled in a swivelling manner with one of the upper sides of the cuboid shaped profile frame 1, so that the upper
15 profile frame 4 can swivel around this axis together with the solar panel, which has been accommodated on its top side. A peripherally square profile frame 5 is connected in a swivelling manner at each of the four upper longitudinal edges of this profile frame 4, wherein each of these profile frame 5 takes in a solar panel 6. When all these peripheral profile frame 5, together with the solar panels 6 are
20 swivelled down, as shown here, a cube is formed, whose width, length and height are the same. Ideally, this cube should have a side length of 1 m, which is most advantageous for transportation in a container, whether it is by truck, ship or aircraft, as the available space as per the international norm is then best utilized. At the same time, a cube of such dimensions can be moved straightaway by two
25 persons, without a lifting tackle or vehicle being necessary for every movement.

Figure 2 shows the supply unit with folded open solar panels 6 and the central solar panel 7, which has been swung up, as the unit looks in operation. In this illustration, the central solar panel is now visible, which is enclosed by the square
30 profile frame 16, which again makes up the upper side of the top box type profile frame 4. From the starting position, as shown in figure 1, the four square profile frames 5, which are connected at the upper side of the top profile frame 4, would have swung up first with the enclosed solar panels 6 to a plane, in which the

upper side of the top profile frame 4 with the solar panel 7, as enclosed by it, lies. In this way, a cross of solar panels 6, 7 is formed. The upper profile frame 4 is later tilted towards the front about a horizontal axis 8, which is shown here in dashed line, or its side, which is away from the observer, is lifted up to certain
5 extent so that this upper profile frame 4 and specially the solar panel 7, which is contained in the square profile frame 16, which is formed on the top side of profile frame 4, is tilted by about 30 degrees from the horizontal. In similar fashion, all the other solar panels 6, which are connected to the square profile frame 16, also take up then the same amount of tilt automatically. This tilt can be changed from 0
10 degrees to about 60 degrees and can be locked in each set position. The horizontal axis 8 extends along the length of the upper outer edge of the bottom profile frame 1 and the lower outer edge of the adjacent top profile frame 4. The solar panel 7 does not fill up completely on one side the frame of the upper side of the top profile frame 4 and a slit 9 is formed there, which runs perpendicularly to
15 the swiveling axis 8. This slit 9 accommodates the pole 10 of a windmill 11. In the starting position, as shown in figure 1, this pole 10 is lodged totally inside the cube shaped supply unit. The pole 10 can be either telescopic or one of several segments fitted together or one with hinged elements. The pole 10 is designed in such a way that it can be set at different heights, wherein either the telescope can
20 be locked at different pulled heights or the pole can be held at the desired height with tubular clamps or it can be pulled out to different heights through mechanical opening of its joints. For a pole, which is built up of several jointed segments, these joints can be opened by a crank drive, where, for example, a screw drive can be provided on the joints, whose screw (worm) can be turned from the crank
25 through a string. At the tip of the pole, which is at a height of maximum about 3 m, a windmill 11 is mounted, which comprises here three blades 12, which, with their roots, can be screwed on the central hub 13 of a generator 17 for the windmill 11. The blade 12 of the windmill 11 has a length of somewhat less than 1 m, so that this can be stowed away in the inside of the cube along its length for
30 transportation. The generator 17 is mounted on the upper end of a pipe segment 18 of approximately 0.60 m to 0.80 m length, which is clinched on the pole 10, in such a way that it can rotate around the pipe axis. Its driving axis runs at right angle to this pipe segment 18. At the rear side of the generator 17 extends a

carrier rod 14 by about half meter to the back. A wind tail unit 15 is mounted at its end. It is built in such a compact fashion that for transportation, it can be lodged in the inside of the cube, as is presented in figure 1.

5 Figure 3, shows the rear side view of the supply unit is with the opened / swiveled up solar panels. The box type profile frame 1 is made of aluminium or stainless steel profiles with a T- slot put in on each length side. This box type profile frame 1 has an identical length and width, whereas its height is about $4/5^{\text{th}}$ of these dimensions in the shown example. For the purpose of strengthening, a vertical
10 middle post 19 is provided for the top box type frame 4 on the side of the horizontal swiveling axis 8 as well as on the opposite side. On account of the profile system with T-slots, all the corners of the profile frame 1 and profile frame 4 are built through screwing. No welding is thus necessary to assemble the frames 1, 4. The torsional stability of the box type frames 1, 4 is realized through corner
15 braces 20, which are likewise screwed on the profiles. It can be seen from this illustration that the swiveled up portion on top of profile frame 1, builds another box type profile frame 4 on its part, wherein the four profiles, which form its upper side, again form a square profile frame 16, which frames and encloses the central solar panel 7. Along the length of this rear, top horizontal profile of the box type
20 profile frame 1, extends the horizontal axis 8, about which the top profile frame 4 can be swiveled up. Two gas springs 21 are placed between the lower box type frame 1 and the upper box type frame 4 so that this high swiveling becomes lighter. On one side, these are connected with the profiles, which run perpendicularly to the horizontal axis and even on that side, which is away from
25 the hinge, made by the horizontal axis 8, and from there it leads up in a slanted way to the top profile frame 16 of the upper box type profile frame 4, where they are connected closer to the hinge. These gas springs 21 develop such a force that the swiveling up of the top box type profile frame 4, together with the peripheral solar panels 6, which are connected with the same, proceed lightly. In similar
30 fashion as the gas springs 21, adjusting supports can be connected to the frames 1,4, wherein one end of them has a longitudinal slit, through which a screw passes and about this the support can be swiveled as well as shifted. By pulling the screw tight, the support can be made rigid in any desired adjusting position

and can be locked in its length, so that every desired swivel position of the upper box type profile frame 4 can be locked. In the rear right hand corner of the profile frame 1 in the picture, the pole 10 can be recognized. This extends along the length of two profiles 22, which are specially arranged for stabilizing the pole, said
5 profiles running vertically with little space between them in the box type profile frame 1. A kennel like profile runs on its side, which faces the inner side of the box and the pole rests on that. The pole 10 is pulled against the kennel like profile by means of three U-shaped tension rods, whose ends run through the profiles 22, said U-shaped tension rods being pulled by the threads 38 against the profiles 22.
10 The pole 10 extends above through a slit 9, which runs between the solar panel 7 and the profile 16 there and the solar panel 7 does not fill up the square profile 16 completely on this side. Through this slit, the pole moves up either telescopically or as parts fitted together or can be opened up by a crank drive, depending on its construction. The peripheral, square profile frame 5 is coupled by at least two
15 hinges 23, which on their part are put in on the upper profile 16 of the square profile frames 4 for the central solar panel 7. These square profile frames 5 are propped up by gas springs 21 at the bottom corners of the upper box type profile frame 4 so that the swiveling up of the peripheral square profile frames 5 together with solar panels 6, whom they enclose, proceed lightly. The peripheral square
20 profile frames 5 with the solar panels 6 are swiveled up at the plane of the solar panel 7 and are held securely in this swiveled position by locking pins, props or braces.

At the inside of the lower box type frame 1, three box type modules 24, 25, 26,
25 which are arranged adjacent to each other inside the frame, can be identified. These modules 24-26 are made of a profile frame at their inside and are closed with plates at the outside. In the embodiment shown, these plates are made of plastic and the box, so constructed, is open at the top and can be closed by an additional cover. The base of the box is perforated so that, if any water enters or
30 the condensation can flow out. The frames of the modules 24 – 26 can obviously be closed with sheet metal but plastic is more suitable because it is corrosion proof and acid resistant. Each box type module 24-26 is fitted at both ends with a handgrip 27, by which it can be pulled out like a drawer from inside of the box type

profile frame 1. Moreover, each module 24-26 lies on one or more insertion rails. As shown in the fully inserted position, the modules 24-26 can be secured. On their front side, which are visible here, as well as on their back side, which are not visible, the modules are further fitted with hooks. Ropes or belts from a lifting
5 tackle can be fastened on them, so that, when an individual module has been pulled out from the frame 1 over the insertion rails, it can be held by a crane and moved out. These modules 24-26 contain various components for the operation of the supply unit, but these components are not visible in the shown example. At the front, on the side facing the viewer, two hoses 29, 30 can be identified with
10 couplings 31, 32, which are again fitted with a stop cock 33, 34 each. These couplings 31, 32 are built on the profile segments 35, 36, which are screwed on a vertical profile of the box type profile frame 1. The hoses 29, 30 lead up to the inside of the module 24, in which the facility for treatment of water is accommodated, which is described by more illustrations hereinafter. In module 25,
15 the batteries and the electronic control for controlling the entire supply unit are well kept and protected. Through the solar panels 6, 7, sunlight is converted photovoltaic ally to electrical direct current and is fed into the batteries. The direct current is then transformed to 110 V or 220 V alternating current by an inverter for consumption. Further, the windmill can also generate electrical alternating current,
20 which, after rectification is similarly fed into the batteries. During the day, when the sun shines, solar electricity predominates. At night, however, when there is no sunlight, the electrical current is generated exclusively by the windmill as the wind then prevails. During the day, the solar panels and the windmill can complement each other depending on the weather condition, that is, how the sun shines or the
25 wind blows. The producible energy is thus subjected to a 24 hour variation, on one hand due to change of day and night and on the other, due to variation in weather, which affects the availability of sunlight or wind. Such inconsistent pattern of the producible energy must therefore be evened out over a period of time. On the other side, it is the energy requirement, which is variable during a 24-hour day.
30 The energy need is less during the night, and during the day it depends on the momentary activity of the inhabitant or the user of the supply unit. All these fluctuations have to be absorbed by the batteries, which act as an energy storage device. They are constantly recharged by the different amounts of electrical

energy, which are straightaway cumulatively generated by the solar panels and the windmill and they deliver the amount of energy, which is required at that point of time, in a definite band of energy per unit of time. It is, however, so designed that the batteries never get totally discharged during normal household operation.

5

Figure 4 shows the supply unit when the solar panels are opened, with the hinge now on the right side of the illustration. The hinge 8 or the horizontal axis 8, about which the upper box type profile frame 4 can be swiveled up against the lower profile frame 1, can be easily ascertained. Further identified can be the middle
10 post 29, built on this side of the supply unit, and the two vertical profiles 22, which, with little gap between them, hold the pole 10 on their back side and the pole resting on a kennel shaped profile, which is fastened to the two vertical profiles 22. By means of U-shaped tension rods, whose threaded ends pass through the profiles 22 and also the flats 37, which are shown here, the pole 10 is held in
15 tension with the nuts 38. In case of a jointed pole, it comprises several segments, which are connected with each other through an articulated hinge so that the segments can be folded together by 180 degrees. In folded condition, the segments then lie one over the other, sidewise on the floor of the profile box 1. Through a screw drive, the articulated hinges respectively can be swiveled up and
20 can be held secure in every swivel position. The screws (worms) can be driven through a string respectively, which, on its part, is activated by a respective crank.

Figure 5 gives a view of the inside of the module 24 with the electric water pump 41, as seen from the side. For better understanding, the box type module 24 is
25 open on one side. In module 24, a central inner wall 40 is seen, which divides the module in two halves. Each box type module in this way is made of a profile frame of the similar aluminium- or stainless steel profiles 39 as the box type profile frame 1 and 4, which has a T-slot along each side. The pump 41 is built on the wall 40 and, by its side, the electric motor 42 with power cable 43 for driving the pump 41
30 can be seen. This pump 41 generates a pressure of 820 psi and sucks water from a nearby water source, for example a fountain, a stream or a standing stretch of water via hose 54 through a pre-filtering device, which is built on the back side of the wall 40. It then hauls the water at high pressure of 820 psi through the high

pressure hose to another filtering device, which is similarly built on the on the back side of the wall 40. The high pressure hose 44 returns from here again to the pump 41 and a cycle is formed, in which the this high pressure of 820 psi is always maintained. The valve 45 serves towards evacuation of the whole system.

5

As seen from the other side of the box type module 24, Figure 6 gives a view on the back side of the partition wall 40. Here, the pre-filtering device 47 with a filter cartridge 48, which is made of paper or a textile fleece-substance, is built and a commercial grade micro filter device 49 above that. This contains a ceramic
10 membrane with pore size of $0.2 \mu\text{m}$. Water sucked by the pump 41 reaches via hose 54 first through the pre-filter 47 and later again back to the pump via hose 52, which is shown in Figure 5. At a high pressure of 820 psi, it is hauled from the pump 41 via the high pressure hose to the ceramic filter 49. After the ceramic filter 49, a part of water reaches via the high pressure hose to the pump 41, so that a
15 high pressure cycle is formed, in which this pressure of 820 is maintained. The other part of water is conducted via hose 29 to a spigot, from which the process water can be received.

Figure 7 gives a view of the inside of the box type module 26. It contains in non-
20 operating condition the generator 17 with its driving hub 13 and the pipe segment 18 and also a socket 65 for taking in the carrier rod 14 for the wind tail unit 15. These elements form an assembly unit, which sits in its own holder, in which it is held tightly by metal bands 60 and is secured against sliding. The pipe segment 18 is connected to a strengthening profile 61 by a pipe clamp 63 and a rod 64, the
25 carrier rod 14 for the wind tail unit 15 being threaded firmly on the profile 61. The wind tail unit 15 is threaded firmly on the other side of the strengthening profile 61. At the top side of the module, the windmill blades 12 are accommodated, said blades being packed here and hence not visible. One can also recognize that the lower profiles of the module are fitted with rollers 62 and this makes the
30 movement of the module inside the box type profile frame 1 considerably lighter.

In Figure 8, one sees the same as in Figure 7 but from the other side. The wind tail unit 15 is fastened with a screw to the strengthening profile 61 and is made up

of four star shaped, protruding blades. In the assembled condition, these blades take care of the orientation of the windmill against the wind and also a good stabilizing of the windmill in the general air stream. The electric cable 66 can also be seen, which leads from the generator 17 to the socket 65, from which the
5 electric current can be taken through a socket, which is not visible and is on the bottom side.

Figure 9 shows the box type module 25 with the batteries 67. Four lead batteries are shown here. These serve as buffering for the energy produced to even out the
10 generation peaks as well as the fluctuating consumption. The profile frame for this module 25 at the middle is somewhat less high and the inverter/ rectifier unit 68 is built on the frame at the top, this unit working to convert the direct current from the battery to alternating current of voltage 110 or 220 V and also to rectify the generator current for feeding to the batteries. Further, the electronic control 69 for
15 the entire supply unit is accommodated in this module 25, which undertakes the total energy management between solar panels, generator, batteries and electric pump. For all the essential components of the equipment, which means for the solar panels, the batteries, the inverter/ rectifier and also for the pump, the filter- and reverse osmosis device and also for the windmill generator, only the proven,
20 standard components are considered.

The use of batteries can be totally dispensed with in an alternative version and the storage of electrical energy, which is generated through solar and through wind forces, can take place with hydrogen. For this purpose, a hydrogen generator is
25 built in the same module, which otherwise would carry the batteries; this hydrogen generator produces hydrogen and oxygen through electrolysis of water by means of the generated direct current and the oxygen can then be burnt again by a similarly built fuel cell.

30 The importance of coupling together and integration of these components lies in the fact that the supply unit is extremely compact. The wind and solar energy ideally complementing each other, getting stored and being ready for use for average consumption of at least one 4-person family and the modular construction

of the individual components, the unit is quickly adaptable to special needs. The individual modules 24, 25, 26 act as interfaces such that the supply unit offers a choice of the following possibilities, depending on the need:

- Accumulation of electrical energy from sunlight, and / or
 - 5 • Accumulation of electrical energy from a separate wind generator and/ or
 - Pumping water from standing, flowing stretch of water or ground water
 - Treatment of drinking water through purification of given dirty water and/or
 - Delivery of electrical power for different consumers
 - Direct current-hydrogen generation by means of fuel cells.
- 10 It is then possible, for example, that the entire water supply unit, which means the module 24 together with its components is exchanged for another box with batteries, when no supply of water is needed but some extra electrical energy. The water supply unit in module 24 can also be replaced with another box 26 with windmill and generator, so that two windmills are then deployed, when the supply
- 15 unit is installed at a place with regular and strong wind and where provision for water is not necessary. The capacity for electrical power generation also falls sharply correspondingly. The supply unit can also be made more powerful through use of more components like inserting a micro-hydrogenerator, which is a small turbine with generator, which is placed in flowing water and can contribute a
- 20 further about 500 W. With the standard equipment, that is, with five solar panels measuring one square meter each, producing about 650 W power in all and with a windmill, having a diameter of approximately two meters, producing upto approximately 750 W, 25 KWH of electrical energy on average can be daily produced. In a typical use situation, as electrical power generator as well as water
- 25 supply unit, the capacity amounts to about 17.5 KWH of electrical energy in a 24 hour cycle for free use and also providing approximately 500 litres of potable water in this 24 hour cycle.

On the other hand, in places with strong and consistent sunshine but with less

30 wind and where water is of paramount importance, the module for wind energy can be replaced by a water treatment module, so that potable water is made available in the first place with the full capacity of the solar panels and correspondingly less electrical energy for other purposes, since that is of less

significance in such regions. This supply unit can thus be made quickly adaptable for specific requirements. For short term, modules or boxes with the suitable components can be exchanged, quickly connected and be brought in operation.

5 In a special embodiment, the entire supply unit can be placed on a motorized, plane rotating disc and, instead of gas springs, the solar panel can be moved to its swiveled position and held there by means of piston- cylinder units. If a GPS- System and suitable software is deployed for controlling the hydraulic pumps, which turn the rotating disc as well as actuate the piston- cylinder units, the
10 optimal tracking of the supply unit at any place on earth, in accordance with the nature of the sunshine there, can be done. The solar panels then are always turned towards the sun and are held at the ideal inclination for the incident sunlight. Figure 10 shows how the supply unit can be made to track the sun's position. It encloses a horizontal tubular ring 53, which stands on minimum three
15 height adjustable props 55. It can then be levelled on a horizontal ground or can be anchored in a horizontal position on a base. The diameter of the tubular ring 53 corresponds with the diagonals between two of the four wheels 2 respectively on the device. The wheels 2 have a U-shaped running surface, on which they move reliably when they are placed on the tubular ring 53, so that the supply unit on the
20 tubular ring 53 can be swiveled or rotated about its normal axis. At least one of the wheels 2 or better two wheels, which are opposite each other, are driven by an electric motor 56. The electronic control unit 69 is programmable logic controlled so that the supply unit, by means of the wheels drive, tracks the sun in accordance with the calendar dates and the time of the day.

25

This supply unit is extremely light in operation; moreover, it works maintenance - free and without emission. With its weight of approximately 300 kgs and its compact external dimensions of a cube of side length 1 m, it can be transported to any desired place without much problem, can be installed there and brought into
30 operation. In places, where a strong wind blows, it is recommended that the supply unit is lashed down heavily on all sides when the solar panels are folded open.

CLAIMS:

1. Supply unit for electric power and/or water derived from renewable energies comprising a box type profile frame (1), characterized in that the box sides in the plane of the upper side of the box form openable solar panels (6) and the cross-shaped arrangement of the solar panels, so formed, can tilt about a horizontal axis on the profile frame (1).
2. Supply unit for electric power and/or water derived from renewable energies according to Claim 1, characterized in that various modules (24, 25, 26), working as interfaces, are built in the inside the box-type profile frame (1) so that the supply unit offers a choice of the following possibilities in accordance with the need:
 - Accumulation of electrical energy from sunlight, and/or
 - Accumulation of electrical energy from a separate wind generator, and/or
 - Pumping water from stationary, flowing stretch of water or ground water
 - Treatment of drinking water through purification of supplied dirty water, and/or
 - Delivery of electric power for different consumers
 - Direct current–Hydrogen generation through fuel cells.
3. Supply unit for electric power and/or water derived from renewable energies according to any of the preceding Claims, characterized in that the box type profile frame (1) with its base side stands on wheels (2) and on its top side (3), as seen from above, a further square, box type frame (16) is arranged, which contains a solar panel (7) and is connected to one top side of the box type profile frame (1) in such a way that it can be swiveled about a horizontal axis (8), wherein on all sides of this square-at-top frame (16), a peripheral square frame (5) each of same size, each containing a solar panel (6), is connected in a swiveling way, so that a cube is formed from the five square frames (16;5) when these are swiveled downwards, and that the peripherally connected square frame (5) can be swiveled in the plane of the central square frame (16) and can be locked against the central square frame (16) in this swiveled

condition, that the central square frame (16) can be locked in each of its swiveled position, further that in the inside space of the box type profile frame 1, on whose one side a telescopic pole or a pole, built from several segments or an openable vertical pole (10) is arranged, on which a wind mill (11) with blades (12), generator (17) and wind tail elements (15) can be mounted and which can be similarly accommodated in the inside space of the box type profile frame 1, and that the box type profile frame 1 has several box type modules (24-26), which can be inserted drawer like from one side and can be locked in the inserted position, wherein one of them contains at least an inverter/ rectifier (68) with battery (67) or a direct current-hydrogen generator with fuel cells and the electronic control unit (69) for all the electronic components, one more contains the wind mill blades (12), the generator (17) with wind mill hub (13) and wind tail element (15), and one more contains a water pump (41) and filtering device (47) with connections for supply and delivery of water.

4. Supply unit for electric power and water derived from renewable energies according to any of the preceding Claims, characterized in that with the swiveled down central, square solar panel frame (16), which is on top side of the box type lower profile frame 1 and with the profile frame 5, which is connected to the former and is folded down at right angle to the same, a cube shaped box is formed.
5. Supply unit for electric power and water derived from renewable energies according to any of the preceding Claims, characterized in that the box type profile frame (1), standing on wheels (2), contains three box type modules (24-26), which are adjacent to each other and fill up the space, said modules being inserted like drawers exactly into this profile frame (1), wherein at least one of the modules encloses a number of batteries (67) and also a inverter/ rectifier (68) with an electronic control unit (69) for all electronic components and at least one of the modules encloses a pump (41) with electric motor (42) and filtering device (47) for supplying drinking water.

6. Supply unit for electric power and water derived from renewable energies according to any of the preceding Claims, characterized in that the filtering device (47) includes a UV-treatment equipment for providing drinking water and / or a reverse osmosis device.
7. Supply unit for electric power and water derived from renewable energies according to any of the preceding Claims, characterized in that the upper box type profile frame 4, which can be swiveled about the horizontal axis (8), is supported by two gas springs (21) opposite the lower box type profile frame 1, wherein adjusting supports are placed between the upper box type profile frame 4, which can be swiveled about the horizontal axis (8) and lower box type profile frame 1, by means of which the swiveled position of the upper profile frame 4 can be locked for every position, and the profile frame 5 for the solar panels (6) is propped up by two gas springs at the lower edges of the top profile frame 4.
8. Supply unit for electric power and water derived from renewable energies according to any of the Claims 5 to 7, characterized in that it includes an accompanying horizontal tubular ring (53), which stands on at least three height adjustable props (55) and can be levelled horizontally on an underground or can be anchored in a horizontal position on a base, and that the diameter of the tubular ring (53) corresponds with the diagonals between two of the four wheels (2) respectively of the equipment, said wheels(2) having a U-shaped running surface, so that the supply unit on the tubular ring (53) can be swiveled about its normal axis.
9. Supply unit for electric power and water derived from renewable energies according to any of the Claims 5 to 7, characterized in that at least one of the wheels (2) can be driven by an electric motor (56) and that the electronic control unit (69) is programmable logic controlled, so that the supply unit can be tracked according to the position of the sun by means of the wheel drive, depending on the date on the calendar and the time of the day.

10. Supply unit for electric power and water derived from renewable energies according to any of the preceding Claims, characterized in that the central solar panel can be changed in its swiveled position by means of the hydraulic piston-cylinder units or through the electric motor, and that control of these piston-cylinder units or electric motors takes place through GPS data, so that optimal tracking of the supply unit in accordance with the sun's position can be guaranteed at any place on earth.

FIG. 1

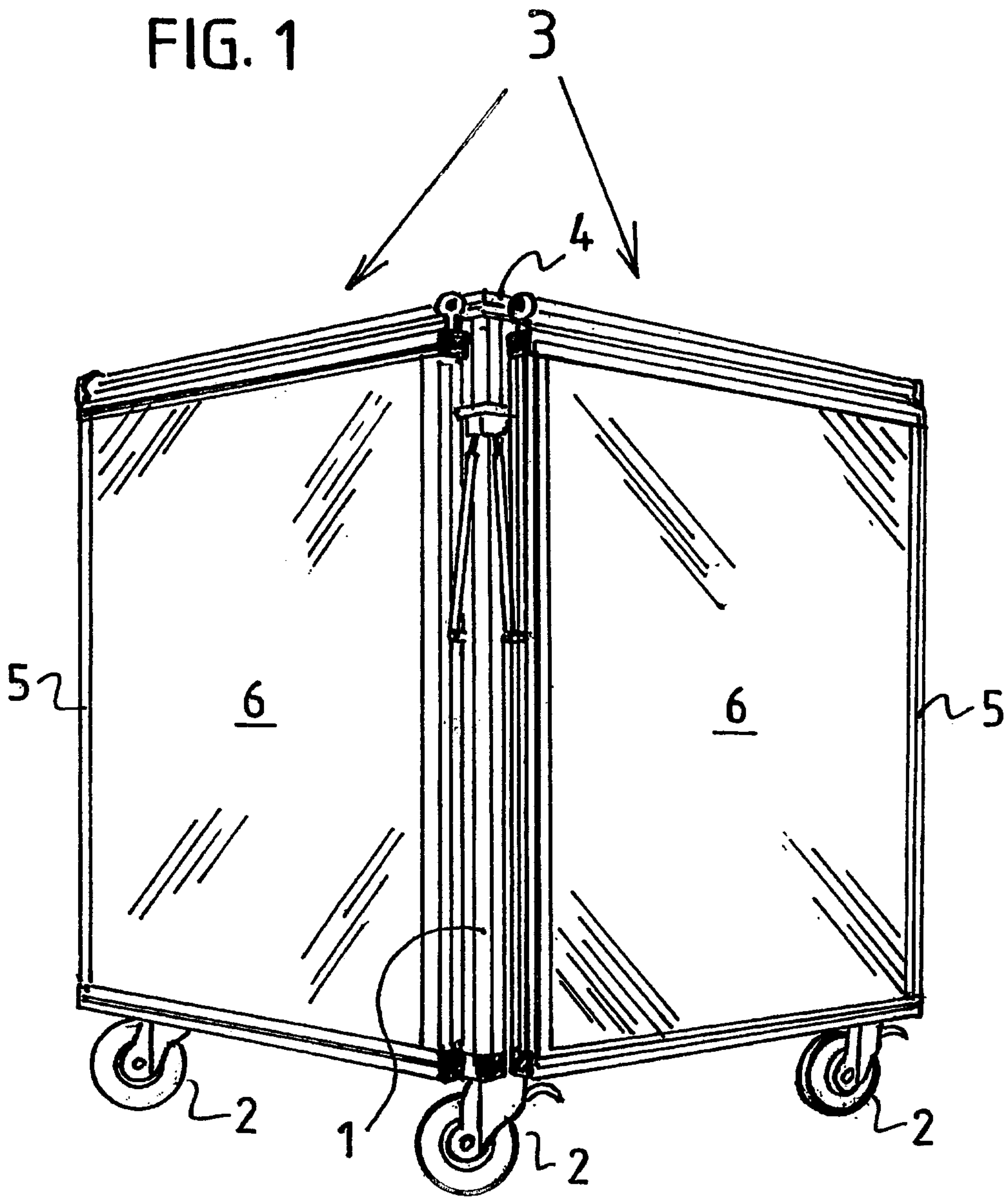


FIG. 3

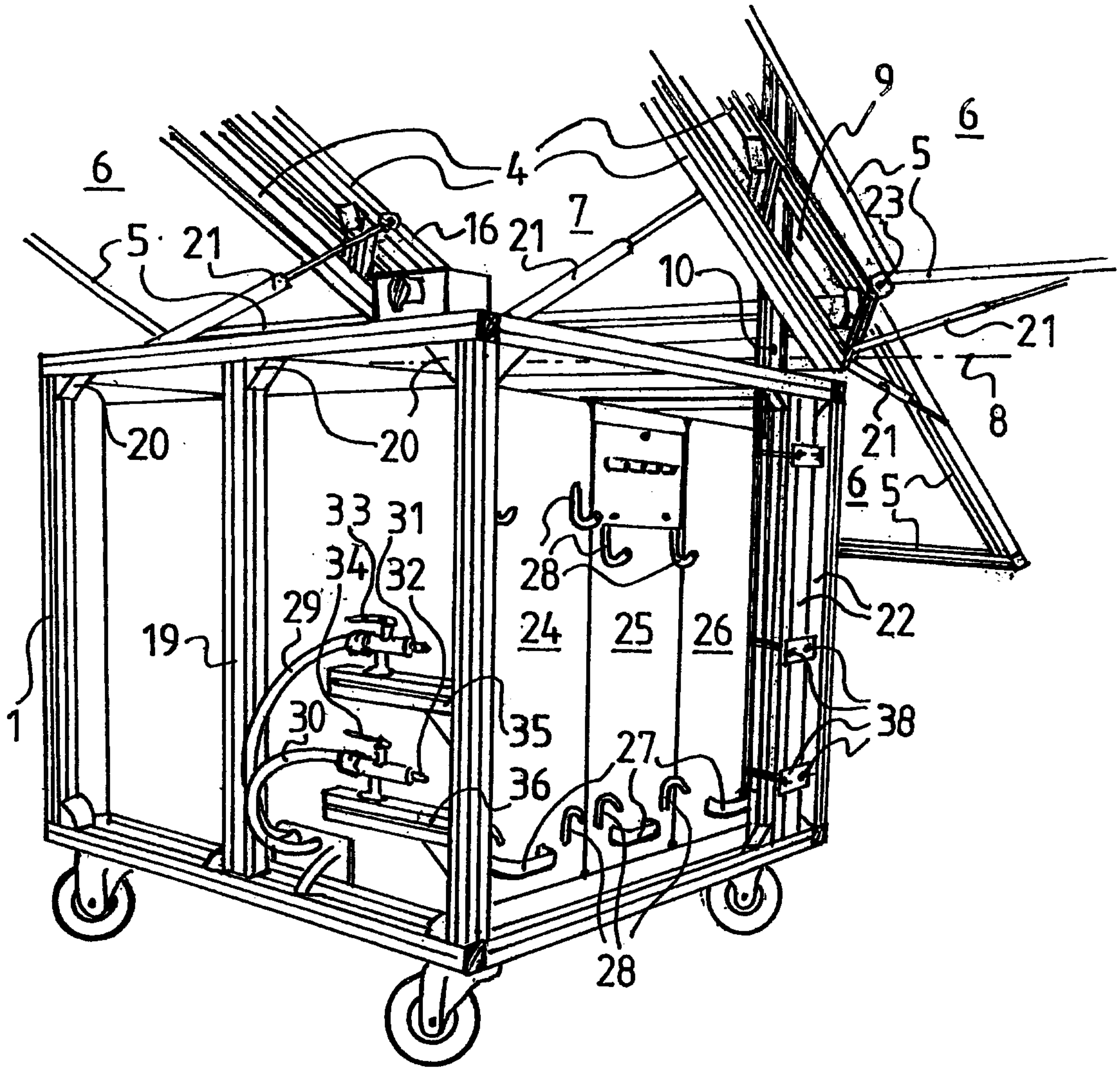


FIG. 4

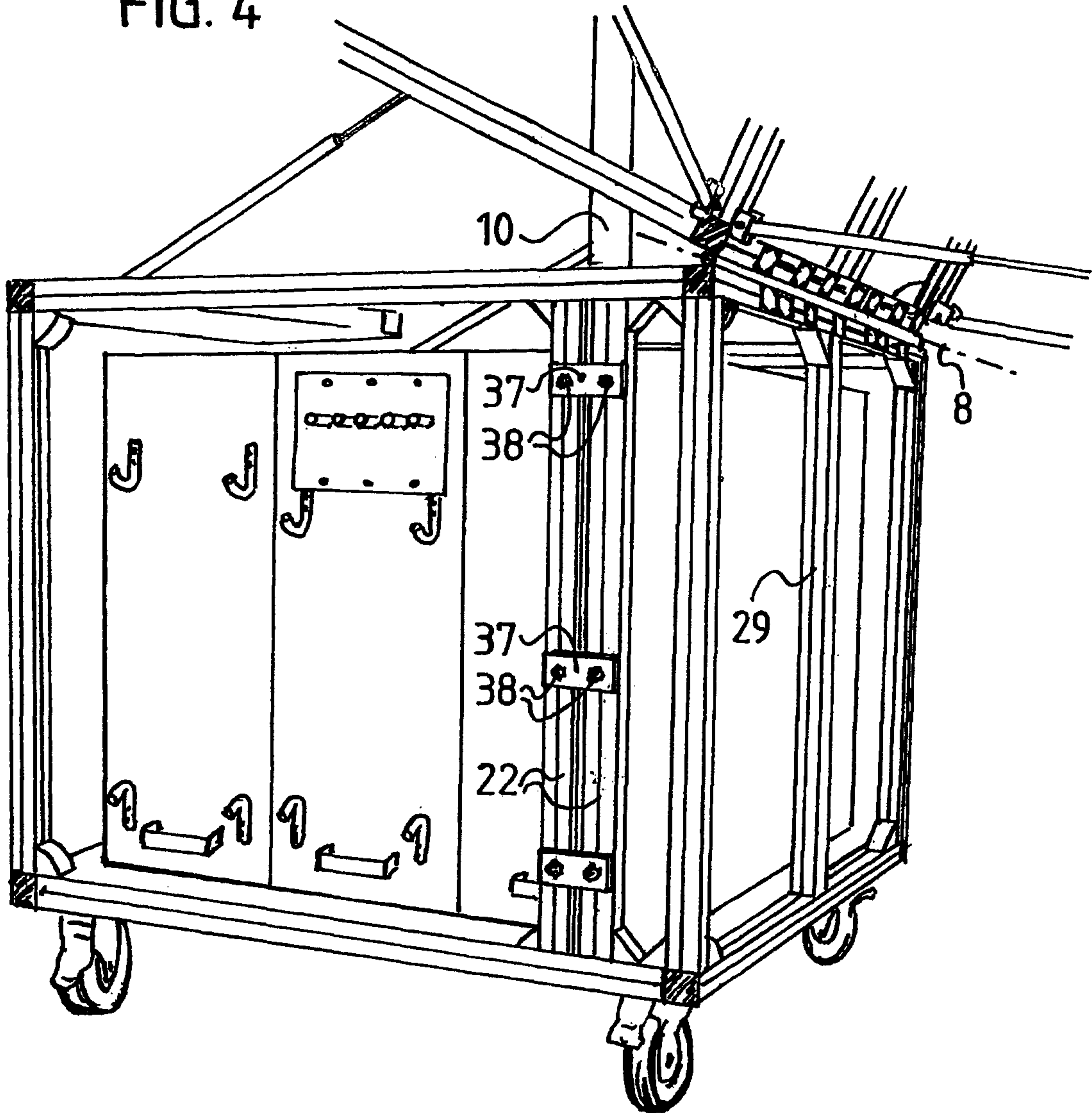


FIG. 5

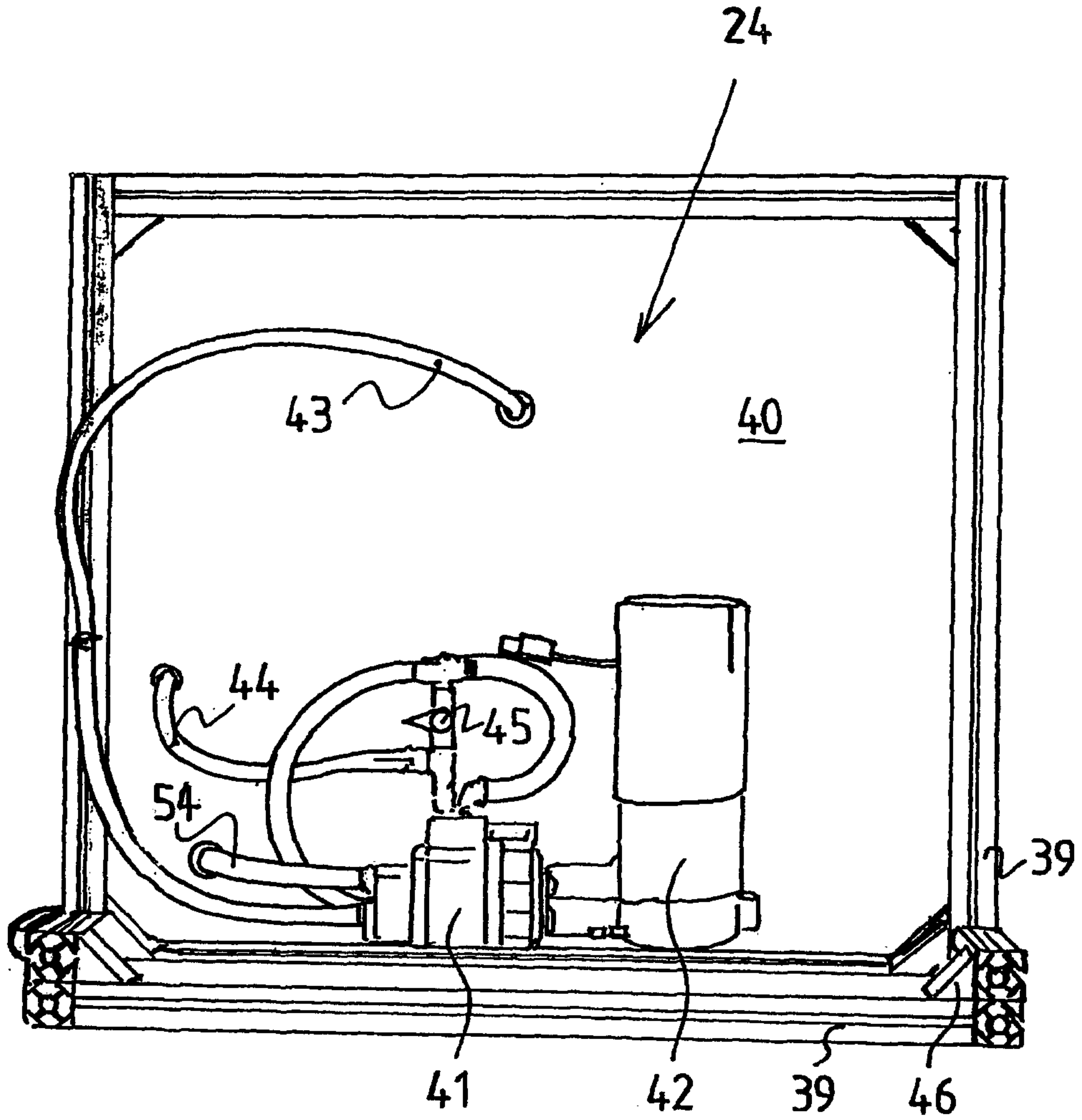


FIG. 6

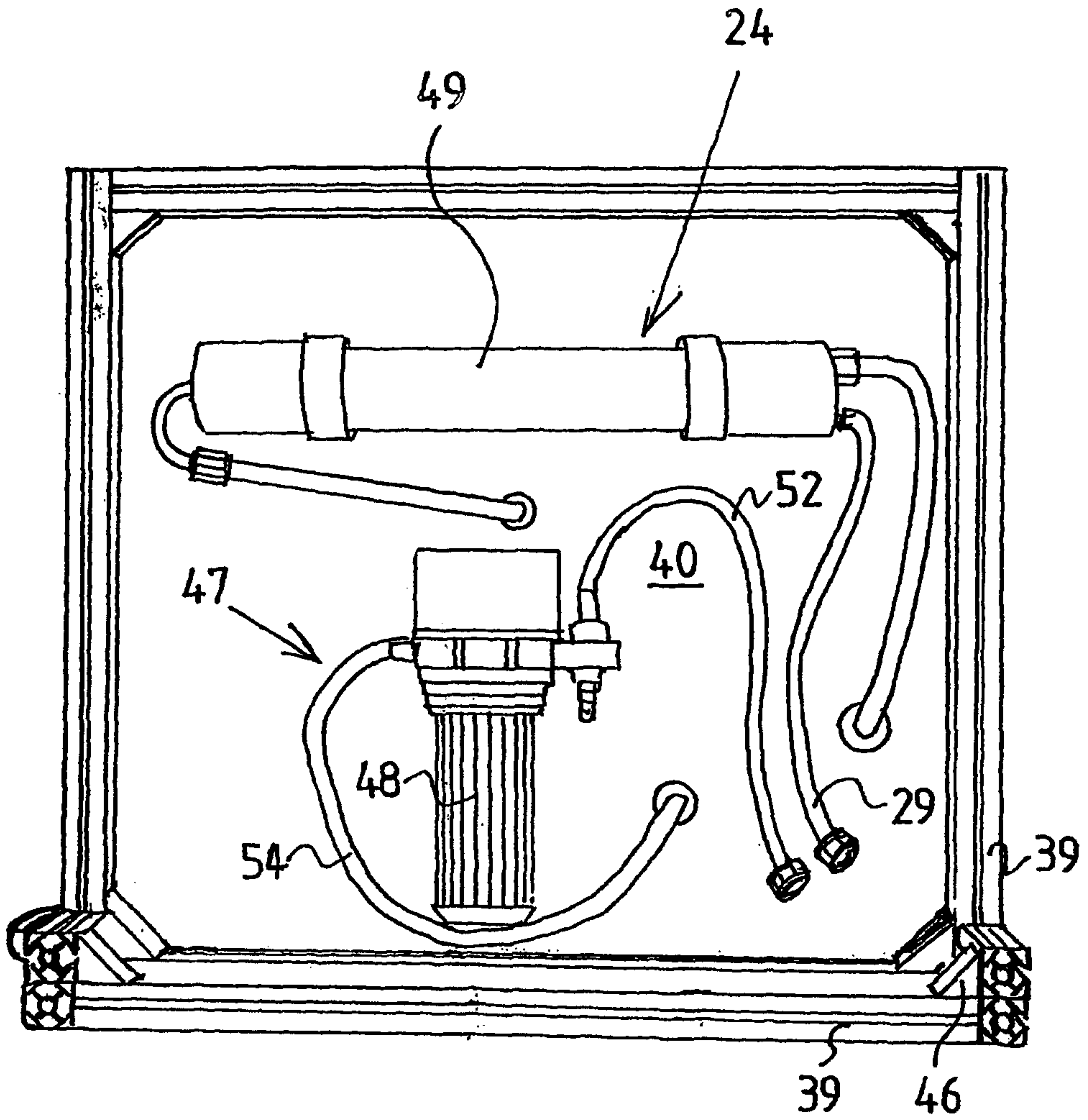


FIG. 7

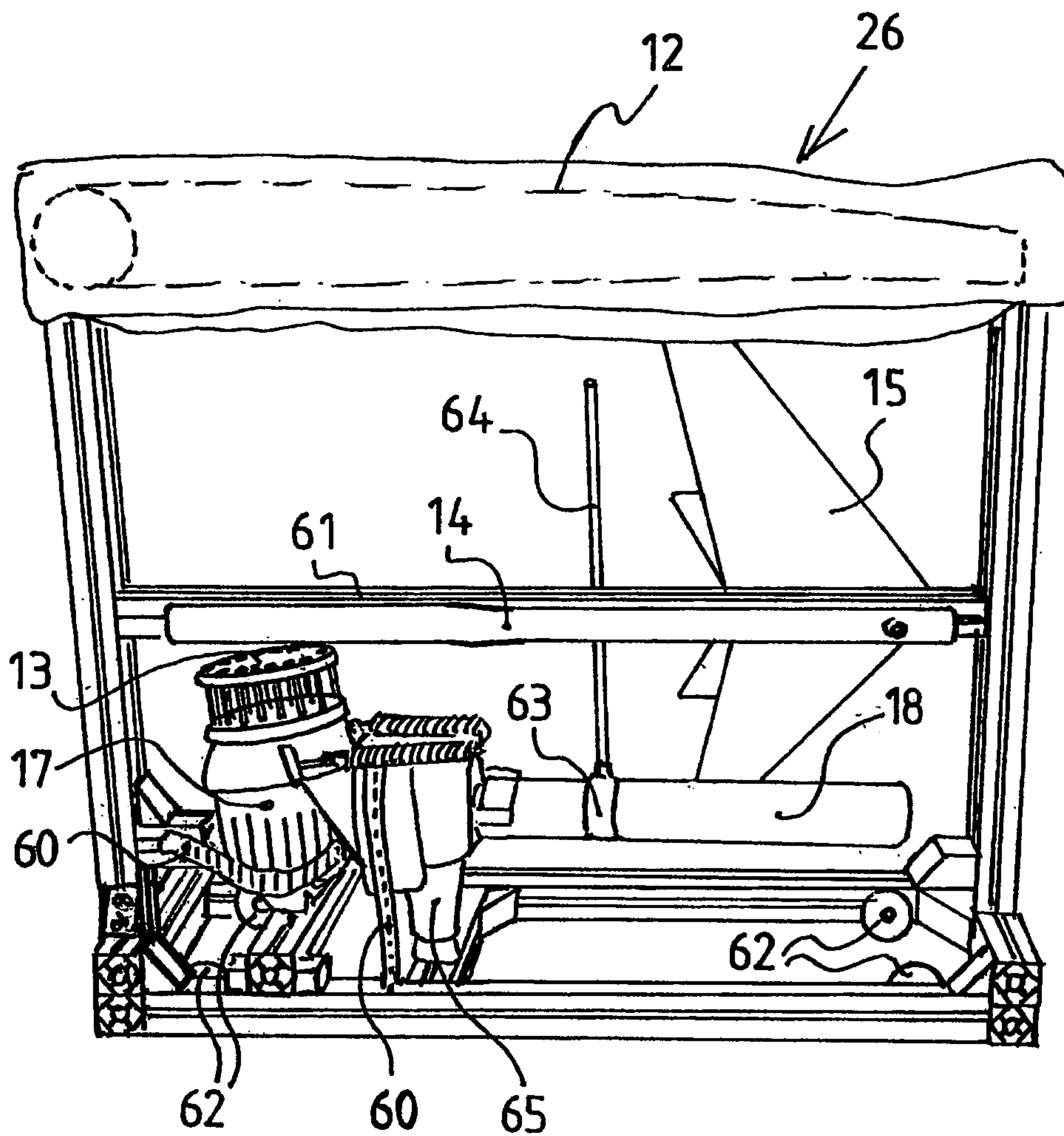


FIG. 8

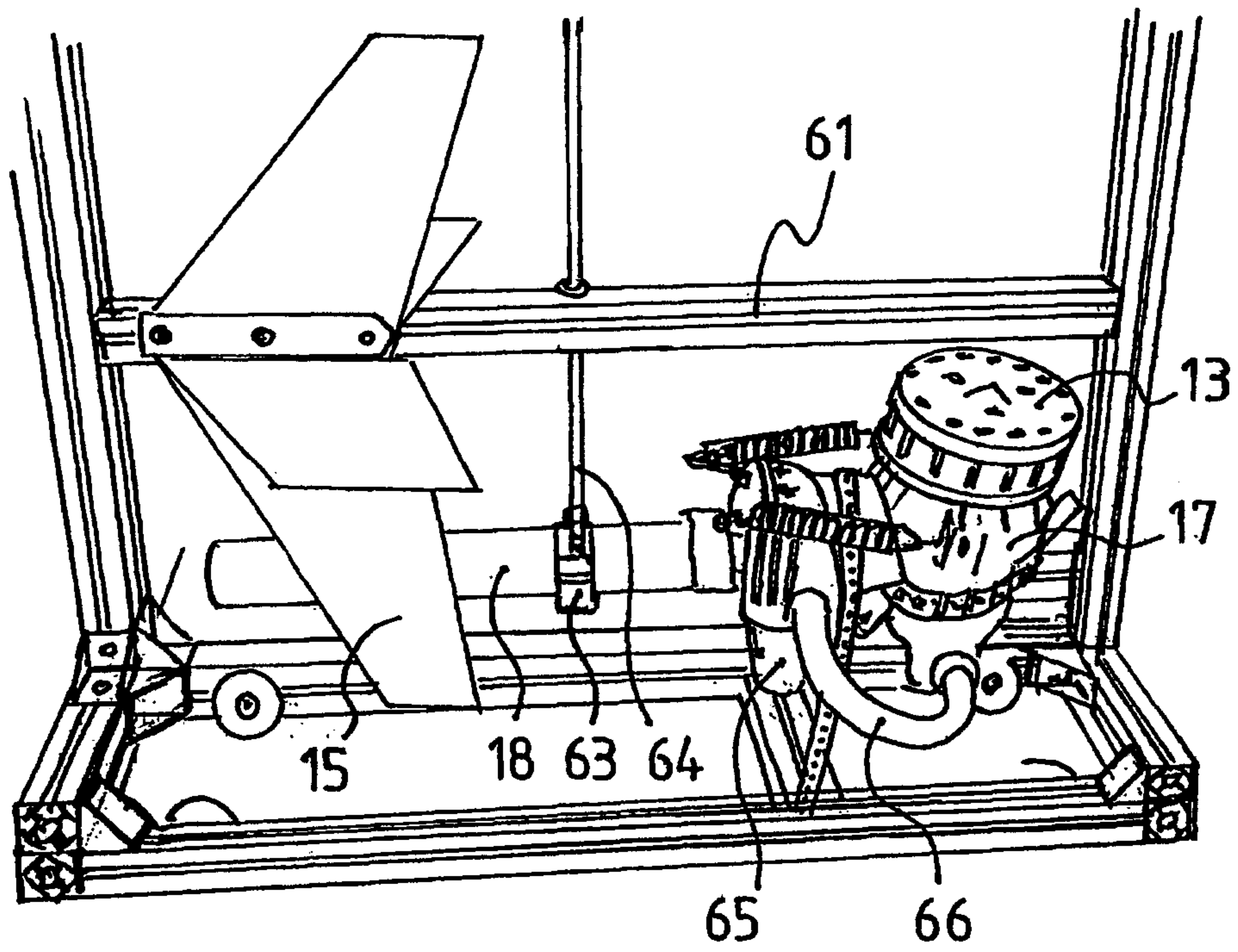


FIG. 9

