



US00D349037S

United States Patent [19]

[11] Patent Number: **Des. 349,037**

Carsello

[45] Date of Patent: **** Jul. 26, 1994**

[54] **DOOR LOCK PLATE**

[75] Inventor: **Anthony J. Carsello**, Chino, Calif.

[73] Assignee: **Emhart Inc.**, Newark, Del.

[**] Term: **14 Years**

[21] Appl. No.: **742,658**

[22] Filed: **Aug. 8, 1991**

[52] U.S. Cl. **D8/350**

[58] Field of Search **D8/350, 353, 352, 302; 292/357; 70/91, 101, 452**

[56] **References Cited**

U.S. PATENT DOCUMENTS

D. 86,377 3/1932 Katz **D8/302**

OTHER PUBLICATIONS

Grand Openings—Dexter Designer Series Cat.; printed Jun. 1987.

Baldwin Hardware Corp. Cat.; rev. Jan. 1986; p. f-17; Rosette No. 5036.

Primary Examiner—B. J. Bullock
Attorney, Agent, or Firm—Spencer T. Smith

[57] **CLAIM**

The ornamental design for a door lock plate, as shown and described.

DESCRIPTION

FIG. 1 is a front elevational view of my new design of a door lock plate;

FIG. 2 is a right side elevational view of my new design of the door lock plate with a left side elevational view of the door lock plate being a mirror image thereof;

FIG. 3 is a bottom view of my new design of the door lock plate with a top elevational view of the door lock plate being a mirror image thereof;

FIG. 4 is a rear elevational view of my new design of the door lock plate; and,

FIG. 5 is a perspective view of my new design of the door lock plate.

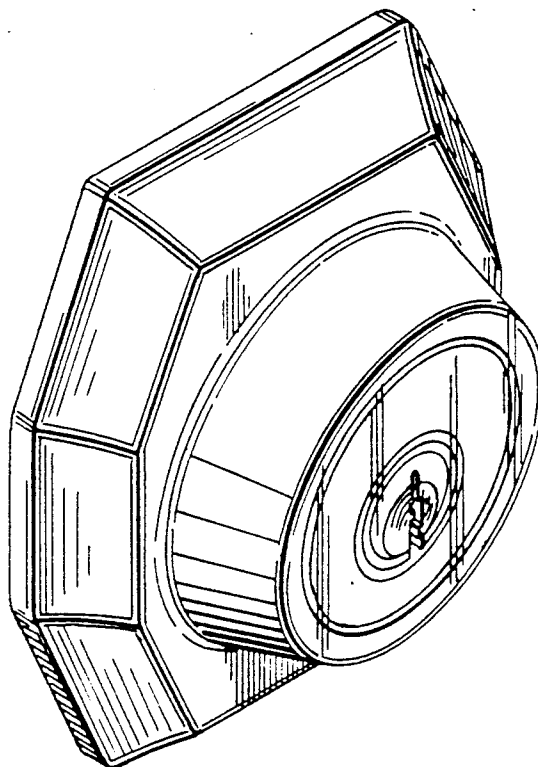


Fig. 1

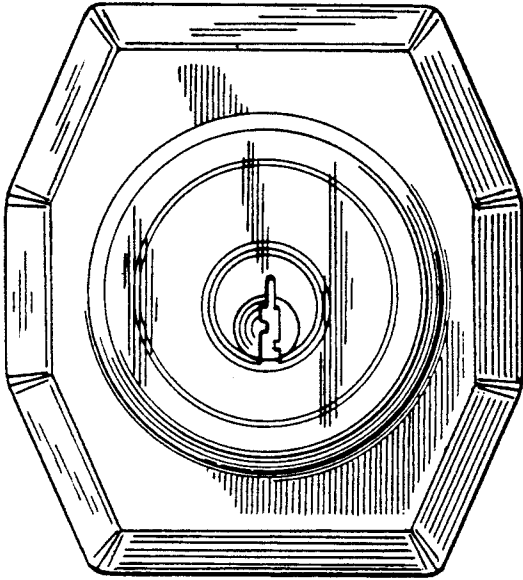


Fig. 2

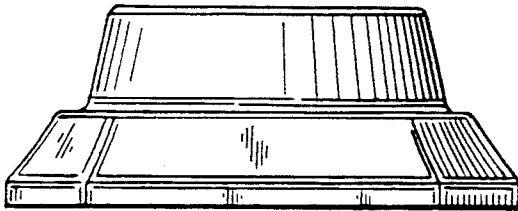
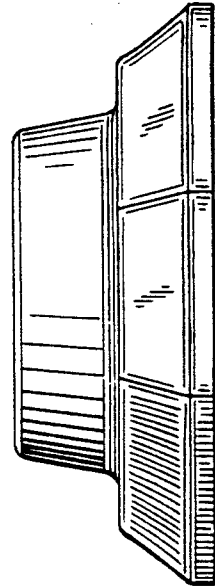


Fig. 3

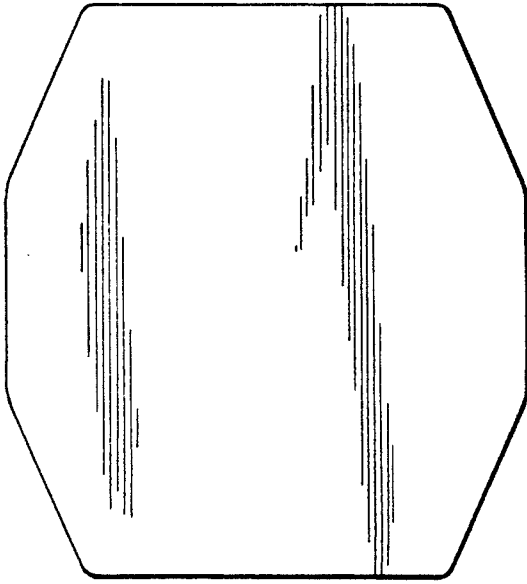


FIG. 4

FIG. 5

