

(19) World Intellectual Property Organization
International Bureau



(43) International Publication Date
26 October 2000 (26.10.2000)

PCT

(10) International Publication Number
WO 00/63463 A3

(51) International Patent Classification⁷: C25C 3/08

(21) International Application Number: PCT/IB00/00476

(22) International Filing Date: 17 April 2000 (17.04.2000)

(25) Filing Language: English

(26) Publication Language: English

(30) Priority Data:
PCT/IB99/00698 16 April 1999 (16.04.1999) IB

(71) Applicant (for all designated States except US):
MOLTECH INVENT S.A. [LU/LU]; 68-70, Boulevard de la Pétrusse, L-2320 Luxembourg (LU).

(72) Inventor; and

(75) Inventor/Applicant (for US only): DE NORA, Vittorio
[IT/BS]; Sandrigham House, Nassau (BS).

(74) Agent: CRONIN, Brian; Route de Troinex 9, CH-1227
Carouge (CH).

(81) Designated States (national): AE, AG, AL, AM, AT, AU, AZ, BA, BB, BG, BR, BY, CA, CH, CN, CR, CU, CZ, DE, DK, DM, DZ, EE, ES, FI, GB, GD, GE, GH, GM, HR, HU, ID, IL, IN, IS, JP, KE, KG, KP, KR, KZ, LC, LK, LR, LS, LT, LU, LV, MA, MD, MG, MK, MN, MW, MX, NO, NZ, PL, PT, RO, RU, SD, SE, SG, SI, SK, SL, TJ, TM, TR, TT, TZ, UA, UG, US, UZ, VN, YU, ZA, ZW.

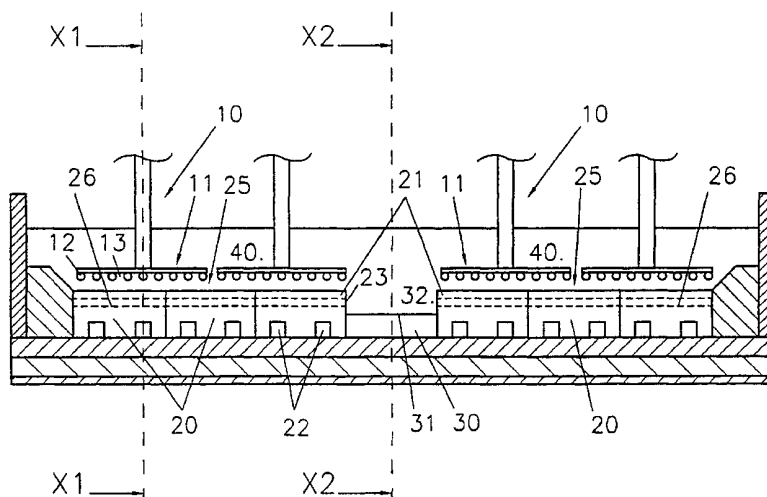
(84) Designated States (regional): ARIPO patent (GH, GM, KE, LS, MW, SD, SL, SZ, TZ, UG, ZW), Eurasian patent (AM, AZ, BY, KG, KZ, MD, RU, TJ, TM), European patent (AT, BE, CH, CY, DE, DK, ES, FI, FR, GB, GR, IE, IT, LU, MC, NL, PT, SE), OAPI patent (BF, BJ, CF, CG, CI, CM, GA, GN, GW, ML, MR, NE, SN, TD, TG).

Published:
— With international search report.

(88) Date of publication of the international search report:
18 January 2001

For two-letter codes and other abbreviations, refer to the "Guidance Notes on Codes and Abbreviations" appearing at the beginning of each regular issue of the PCT Gazette.

(54) Title: ALUMINIUM ELECTROWINNING CELLS HAVING A V-SHAPED CATHODE BOTTOM



(57) Abstract: A cell for the electro-winning of aluminium comprises a plurality of metal-based anodes (11) facing and spaced apart from an aluminium-wettable drained cathode surface (21) on which aluminium is produced. The drained cathode surface is formed along the cell by upper surfaces of a series of juxtaposed carbon cathode blocks (20), the cathode blocks extending across the cell. The drained cathode surface is divided into quadrants by a longitudinal aluminium collection groove (26) along the cell and by a central aluminium collection reservoir across the cell. Pairs of quadrants across the cell are inclined in a V-shape relationship, the collection groove being located along the bottom of the V-shape and arranged to collect molten aluminium draining from the drained cathode surface and evacuate it into the aluminium collection reservoir during cell operation.



WO 00/63463 A3

INTERNATIONAL SEARCH REPORT

Inter national Application No
PCT/IB 00/00476

A. CLASSIFICATION OF SUBJECT MATTER
IPC 7 C25C3/08

According to International Patent Classification (IPC) or to both national classification and IPC

B. FIELDS SEARCHED

Minimum documentation searched (classification system followed by classification symbols)
IPC 7 C25C

Documentation searched other than minimum documentation to the extent that such documents are included in the fields searched

Electronic data base consulted during the international search (name of data base and, where practical, search terms used)

EPO-Internal, WPI Data

C. DOCUMENTS CONSIDERED TO BE RELEVANT

Category °	Citation of document, with indication, where appropriate, of the relevant passages	Relevant to claim No.
P,A	WO 99 41429 A (MOLTECH INVENT S.A.) 19 August 1999 (1999-08-19) page 17, line 22 -page 19, line 10 page 21, line 26 -page 22, line 10 page 23, line 5 - line 14 figures 4,5 ---	1,13,19
A	WO 96 07773 A (MOLTECH INVENT S.A.) 14 March 1996 (1996-03-14) cited in the application page 20, line 25 -page 21, line 38 figures 7,8 ---	1,13,19
A	US 3 400 061 A (R. A. LEWIS) 3 September 1968 (1968-09-03) cited in the application column 4, line 71 - line 73 figure 1 -----	1,13,19

Further documents are listed in the continuation of box C.

Patent family members are listed in annex.

° Special categories of cited documents :

- "A" document defining the general state of the art which is not considered to be of particular relevance
- "E" earlier document but published on or after the international filing date
- "L" document which may throw doubts on priority claim(s) or which is cited to establish the publication date of another citation or other special reason (as specified)
- "O" document referring to an oral disclosure, use, exhibition or other means
- "P" document published prior to the international filing date but later than the priority date claimed

- "T" later document published after the international filing date or priority date and not in conflict with the application but cited to understand the principle or theory underlying the invention
- "X" document of particular relevance; the claimed invention cannot be considered novel or cannot be considered to involve an inventive step when the document is taken alone
- "Y" document of particular relevance; the claimed invention cannot be considered to involve an inventive step when the document is combined with one or more other such documents, such combination being obvious to a person skilled in the art.
- "&" document member of the same patent family

Date of the actual completion of the international search

Date of mailing of the international search report

6 October 2000

13/10/2000

Name and mailing address of the ISA

European Patent Office, P.B. 5818 Patentlaan 2
 NL - 2280 HV Rijswijk
 Tel. (+31-70) 340-2040, Tx. 31 651 epo nl,
 Fax: (+31-70) 340-3016

Authorized officer

Groseiller, P

INTERNATIONAL SEARCH REPORT

...formation on patent family members

Inter onal Application No PCT/IB 00/00476

Patent document cited in search report	Publication date	Patent family member(s)	Publication date
WO 9941429 A	19-08-1999	AU 2293399 A	30-08-1999
WO 9607773 A	14-03-1996	AU 688098 B	05-03-1998
		AU 3190195 A	27-03-1996
		AU 708455 B	05-08-1999
		AU 6593298 A	30-07-1998
		CA 2199288 A	14-03-1996
		DE 69509540 D	10-06-1999
		DE 69509540 T	30-09-1999
		EP 0782636 A	09-07-1997
		EP 0905284 A	31-03-1999
		NO 971060 A	07-03-1997
		US 6093304 A	25-07-2000
		US 5683559 A	04-11-1997
		US 5888360 A	30-03-1999
US 3400061 A	03-09-1968	CH 444498 A	
		DE 1251962 B	
		FR 1414509 A	10-01-1966
		GB 1093185 A	