

CORRECTED VERSION

(19) World Intellectual Property Organization
International Bureau

(43) International Publication Date
07 June 2018 (07.06.2018)



(10) International Publication Number
WO 2018/102703 A8

- (51) International Patent Classification:
A24F 47/00 (2006.01)
- (21) International Application Number:
PCT/US20 17/064244
- (22) International Filing Date:
01 December 2017 (01.12.2017)
- (25) Filing Language: English
- (26) Publication Language: English
- (30) Priority Data:
62/429,348 02 December 2016 (02.12.2016) US
62/465,419 01 March 2017 (01.03.2017) US
- (71) Applicant: VMR PRODUCTS LLC [US/US]; 560 20th Street Building 104, San Francisco, CA 94107 (US).
- (72) Inventors: VERLEUR, Jan, Andries; 560 20th Street Building 104, San Francisco, CA 94107 (US). RECIO, Dan; 560 20th Street Building 104, San Francisco, CA 94107 (US). LIU, Zhiyuan; 560 20th Street Building 104, San Francisco, CA 94107 (US). VERLEUR, Hans; 560 20th Street Building 104, San Francisco, CA 94107 (US).
- (74) Agent: ROAN, Alexander, G. et al.; Mintz Levin Cohn Ferris Glovsky and Popeo, PC, One Financial Center, Boston, MA 021 11 (US).
- (81) Designated States (unless otherwise indicated, for every kind of national protection available): AE, AG, AL, AM, AO, AT, AU, AZ, BA, BB, BG, BH, BN, BR, BW, BY, BZ, CA, CH, CL, CN, CO, CR, CU, CZ, DE, DJ, DK, DM, DO, DZ, EC, EE, EG, ES, FI, GB, GD, GE, GH, GM, GT, HN, HR, HU, ID, IL, IN, IR, IS, JO, JP, KE, KG, KH, KN, KP, KR, KW, KZ, LA, LC, LK, LR, LS, LU, LY, MA, MD, ME, MG, MK, MN, MW, MX, MY, MZ, NA, NG, NI, NO, NZ, OM, PA, PE, PG, PH, PL, PT, QA, RO, RS, RU, RW, SA, SC, SD, SE, SG, SK, SL, SM, ST, SV, SY, TH, TJ, TM, TN, TR, TT, TZ, UA, UG, US, UZ, VC, VN, ZA, ZM, ZW.
- (84) Designated States (unless otherwise indicated, for every kind of regional protection available): ARIPO (BW, GH, GM, KE, LR, LS, MW, MZ, NA, RW, SD, SL, ST, SZ, TZ, UG, ZM, ZW), Eurasian (AM, AZ, BY, KG, KZ, RU, TJ, TM), European (AL, AT, BE, BG, CH, CY, CZ, DE, DK, EE, ES, FI, FR, GB, GR, HR, HU, IE, IS, IT, LT, LU, LV, MC, MK, MT, NL, NO, PL, PT, RO, RS, SE, SI, SK, SM,

(54) Title: COMBINATION VAPORIZER

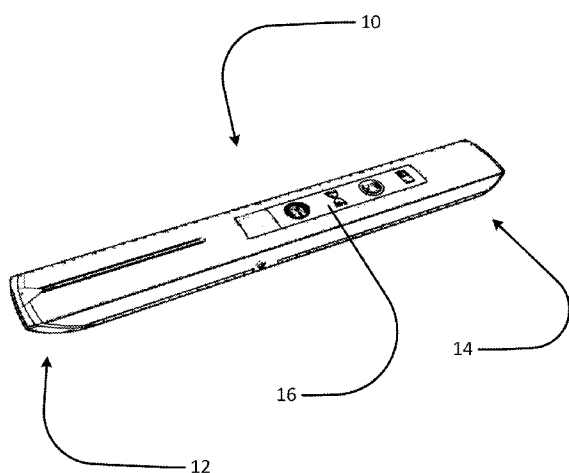


FIG. 1

(57) Abstract: A combination vaporizer (10) is disclosed. The vaporizer includes a first body (20) having a cavity for receiving a cartridge (18) containing a first product, and a second body containing a second product. An atomizer (13) in the first cartridge vaporizes the first product and an atomizer (52) in the second body vaporizes the second product. The two vapors are combined in a controlled amount and exit through an outlet of the first body.



WO 2018/102703 A8

TR), OAPI (BF, BJ, CF, CG, CI, CM, GA, GN, GQ, GW,
KM, ML, MR, NE, SN, TD, TG).

Published:

— *with international search report (Art. 21(3))*

(48) Date of publication of this corrected version:

04 July 2019 (04.07.2019)

(15) Information about Correction:

see Notice of 04 July 2019 (04.07.2019)