



US0D1000418S

(12) **United States Design Patent**
Qiu

(10) **Patent No.:** **US D1,000,418 S**

(45) **Date of Patent:** **** Oct. 3, 2023**

(54) **COMBINED PHONE STAND AND SPEAKER**

(71) Applicant: **Bing Qiu, Jiangxi (CN)**

(72) Inventor: **Bing Qiu, Jiangxi (CN)**

(**) Term: **15 Years**

(21) Appl. No.: **29/894,861**

(22) Filed: **Jun. 14, 2023**

(51) **LOC (14) Cl.** **14-01**

(52) **U.S. Cl.**

USPC **D14/209.1; D14/226; D14/253**

(58) **Field of Classification Search**

USPC ... D14/209.1, 217, 251, 252, 253, 243, 137,
D14/496, 447, 434, 225, 226, 227, 229;

D3/201, 218, 294; D16/135; 40/725,

40/733; 248/456, 472; 312/119;

320/114; 381/386-388, 391, 164

CPC H04R 25/00; H04R 25/02; H04R 1/02;

G06F 1/16; H05K 7/18; F16M 11/38;

H04W 4/00; A47B 19/00

See application file for complete search history.

(56) **References Cited**

U.S. PATENT DOCUMENTS

2,486,457 A * 11/1949 Anitole A47F 7/02

D10/18

2,595,682 A * 5/1952 Lipa A47B 23/044

248/460

D234,851 S * 4/1975 Tyson D14/149

4,371,077 A * 2/1983 Solitt A47F 7/03

206/759

4,633,323 A * 12/1986 Haberkern G11B 33/121

D316,416 S * 4/1991 Cant D14/252

5,108,062 A * 4/1992 Detwiler F16M 11/10

248/185.1

D362,565 S * 9/1995 Tubbs D6/310

D453,155 S * 1/2002 Michel D14/253

D461,461 S * 8/2002 Adamson D14/147

D470,161 S * 2/2003 Lee D21/333

6,637,139 B1 * 10/2003 Chan A45D 42/18

40/733

D520,013 S * 5/2006 Yang D14/434

D556,212 S * 11/2007 Hussaini D14/496

D592,188 S * 5/2009 Huang D14/447

D615,527 S * 5/2010 Hwang D14/203.7

7,770,864 B2 * 8/2010 Phifer A47B 23/043

248/455

(Continued)

FOREIGN PATENT DOCUMENTS

CN 307918554 * 3/2023

CN 308135798 * 7/2023

Primary Examiner — Paula Allen Greene

(74) *Attorney, Agent, or Firm* — Kunzler Bean &
Adamson, PC; Alandra Adams

(57) **CLAIM**

The ornamental design for a combined phone stand and speaker, as shown and described.

DESCRIPTION

FIG. 1 is a front, right and top perspective view of a combined phone stand and speaker, showing my design.

FIG. 2 is a rear, left and bottom perspective view thereof.

FIG. 3 is a front elevation view thereof.

FIG. 4 is a rear elevation view thereof.

FIG. 5 is a left side elevation view thereof.

FIG. 6 is a right side elevation view thereof.

FIG. 7 is a top plan view thereof.

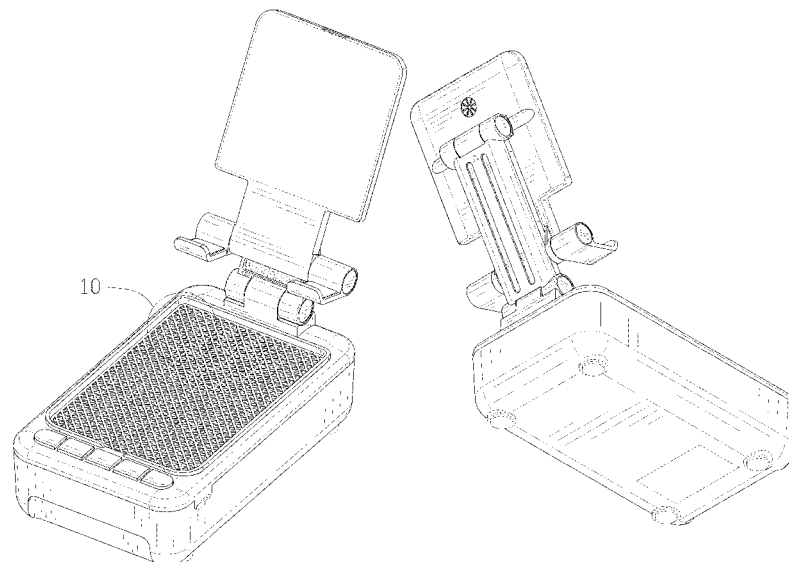
FIG. 8 is a bottom plan view thereof.

FIG. 9 is a front, right, top perspective view of the combined phone stand and speaker in an alternate position; and,

FIG. 10 is an enlarged view of detail 10 in FIG. 1.

The dot dash broken lines encircling a portion of the combined phone stand and speaker in FIG. 1 and illustrated in the enlarged view of FIG. 10 form no part of the claimed design.

1 Claim, 10 Drawing Sheets



(56)

References Cited

U.S. PATENT DOCUMENTS

D637,952	S *	5/2011	Tan	D13/102	D910,103	S *	2/2021	Park	D16/135
D644,230	S *	8/2011	Lin	D14/447	D918,190	S *	5/2021	Hong	D14/253
D645,156	S *	9/2011	Reitze	D24/227	D929,986	S *	9/2021	Chen	D14/253
D653,167	S *	1/2012	Dunn	D11/184	D930,641	S *	9/2021	Zhou	D14/447
D659,147	S *	5/2012	Hu	D14/447	D934,169	S *	10/2021	Huang	D14/447
D666,995	S *	9/2012	TerMeer	D14/447	D937,251	S	11/2021	Peng		
8,311,244	B2 *	11/2012	Qian	H04R 23/002 381/164	D946,640	S *	3/2022	Lin	D16/135
D676,418	S *	2/2013	Suzuki	D14/209.1	D952,725	S *	5/2022	Wang	D16/135
D682,905	S *	5/2013	Kendall	D16/130	D964,979	S *	9/2022	Hong	D14/252
D685,366	S *	7/2013	Ding	D14/253	D965,579	S *	10/2022	Hong	D14/252
D688,235	S *	8/2013	Song	D14/253	D966,386	S *	10/2022	Hong	D14/172
D689,478	S *	9/2013	Wikel	D14/253	D974,348	S *	1/2023	Luo	D14/253
D693,824	S *	11/2013	Erdfarb	D14/447	D975,101	S *	1/2023	Luo	D14/447
D699,246	S *	2/2014	Ringlein	D14/447	D986,235	S *	5/2023	Chen	D14/251
D703,659	S *	4/2014	Werth	D14/253	D986,876	S *	5/2023	Zhou	D14/253
D723,536	S *	3/2015	Werth	D14/253	D990,464	S *	6/2023	Wu	D14/434
D730,888	S *	6/2015	Malsan	D14/253	2005/0121594	A1 *	6/2005	Kuo	F16M 13/00 248/676
9,121,541	B2 *	9/2015	Jones	F16M 13/00	2006/0124822	A1 *	6/2006	Munda	A47B 19/00 108/1
D763,823	S *	8/2016	Holzer	D14/209.1	2010/0170194	A1 *	7/2010	Leone	E04B 1/215 52/745.21
9,420,362	B1 *	8/2016	Daley	H04R 1/02	2010/0315041	A1 *	12/2010	Tan	H04M 1/04 320/115
D816,027	S *	4/2018	Chen	D13/108	2012/0138766	A1 *	6/2012	Chen	F16M 11/041 248/456
D819,643	S *	6/2018	Hu	D14/434	2017/0010635	A1 *	1/2017	Lockwood	G06F 1/1626
D829,216	S *	9/2018	Belitz	D14/447	2017/0223862	A1 *	8/2017	Justiss	F16M 13/022
D829,725	S *	10/2018	Luo	D14/447						
D839,869	S *	2/2019	Wang	D14/447						
D898,017	S *	10/2020	Zhang	D14/447						

* cited by examiner

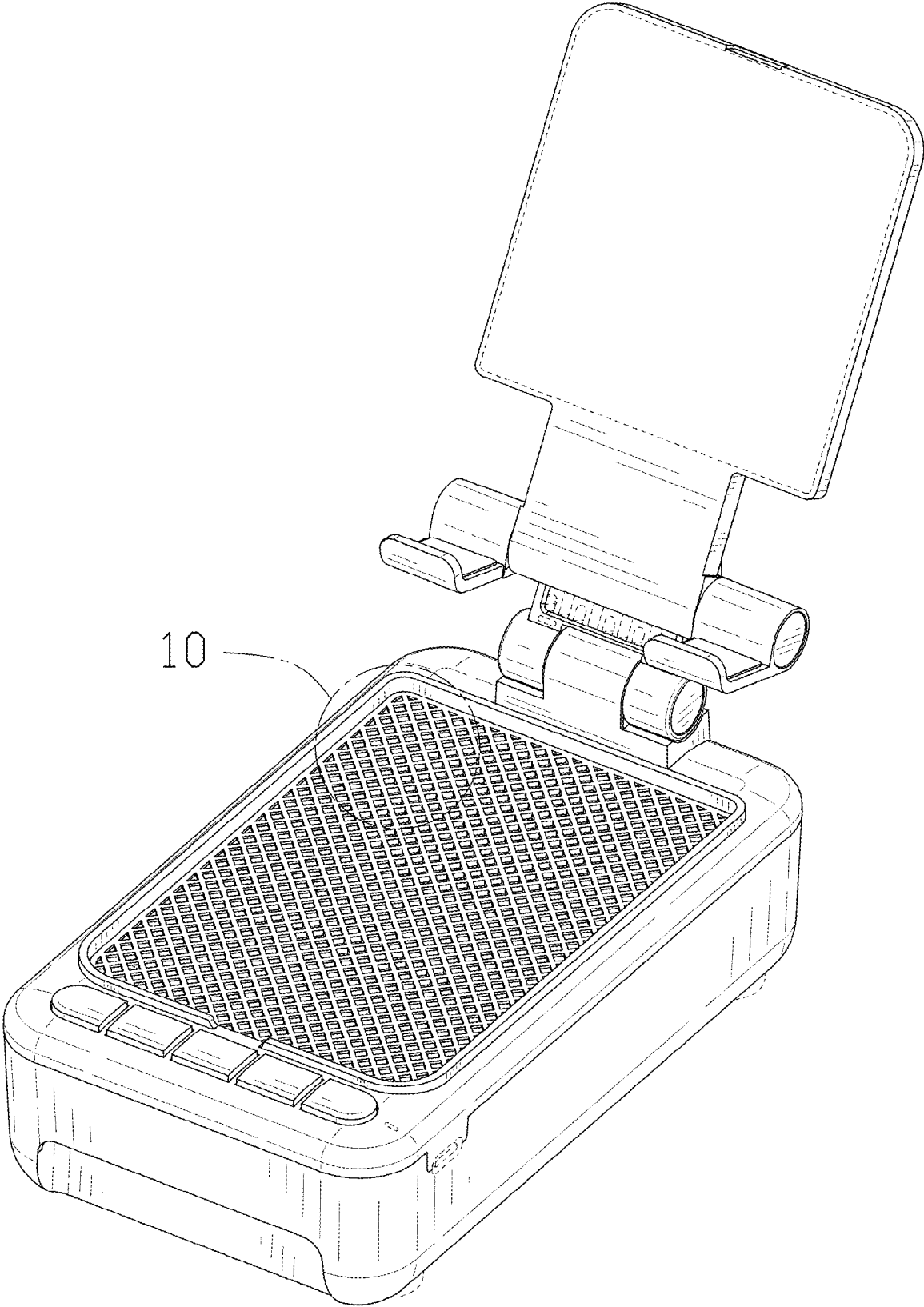


FIG. 1

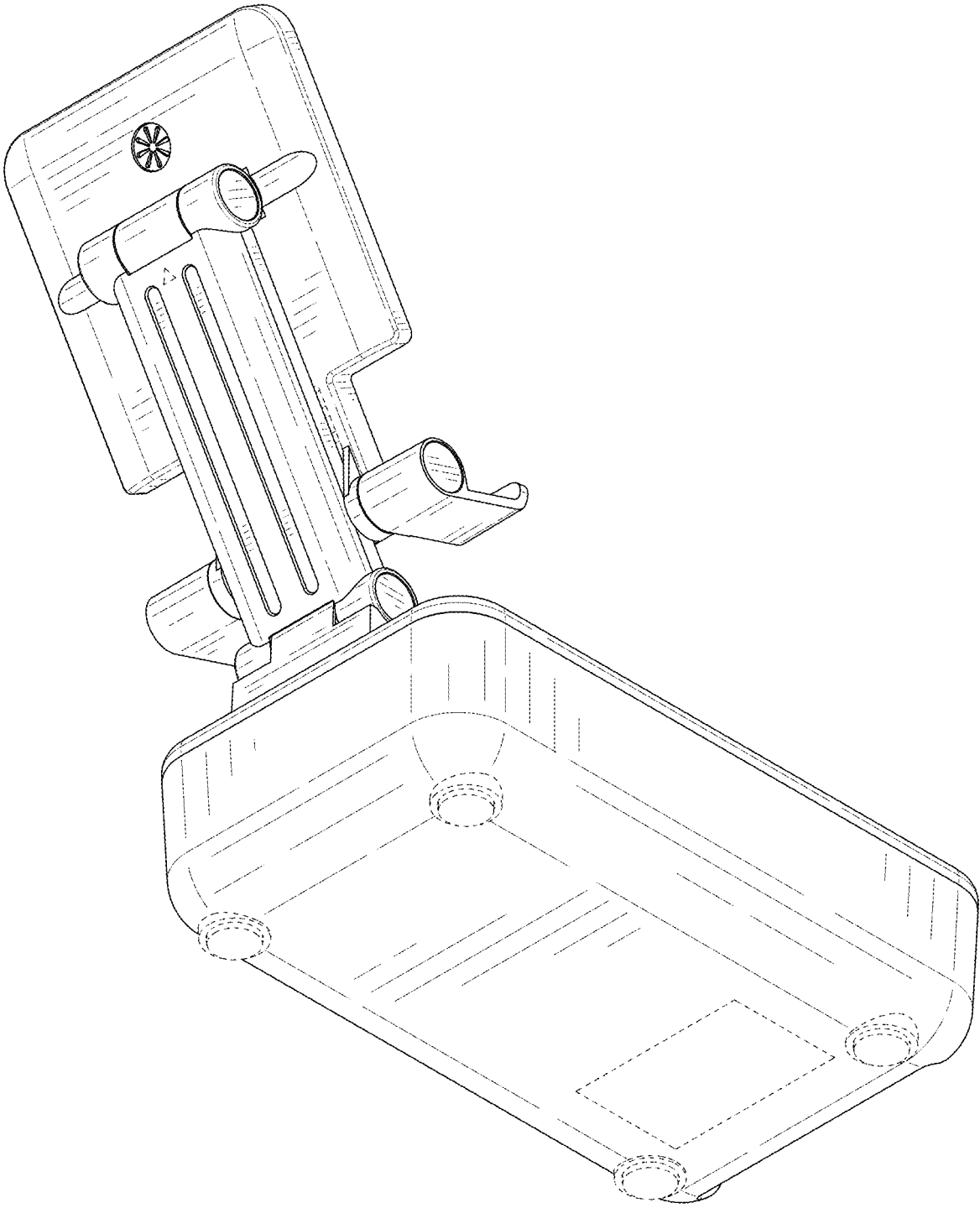


FIG. 2

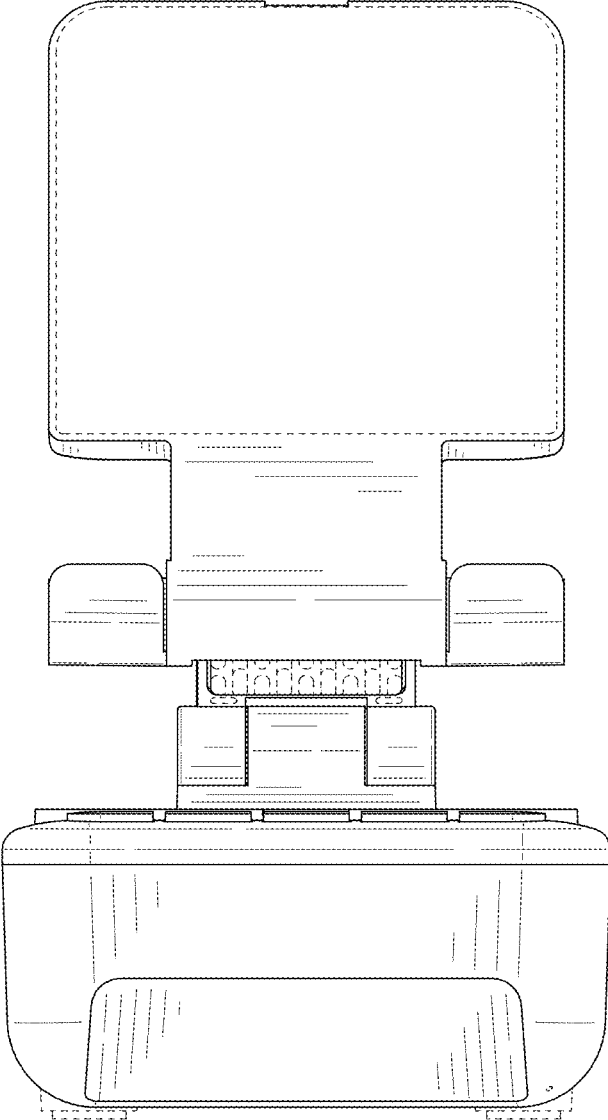


FIG. 3

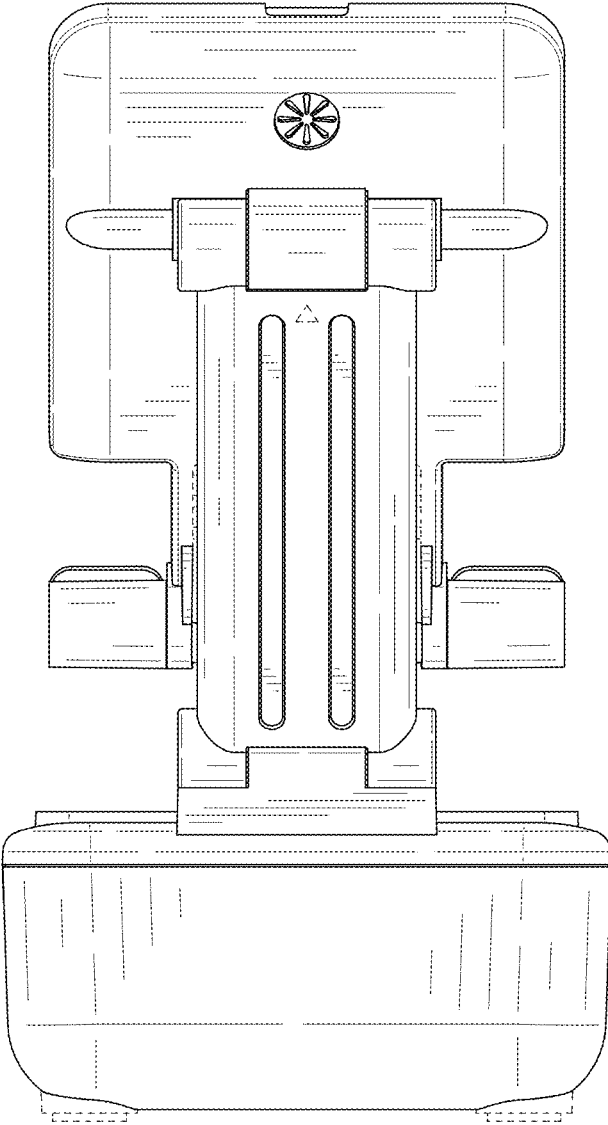


FIG. 4

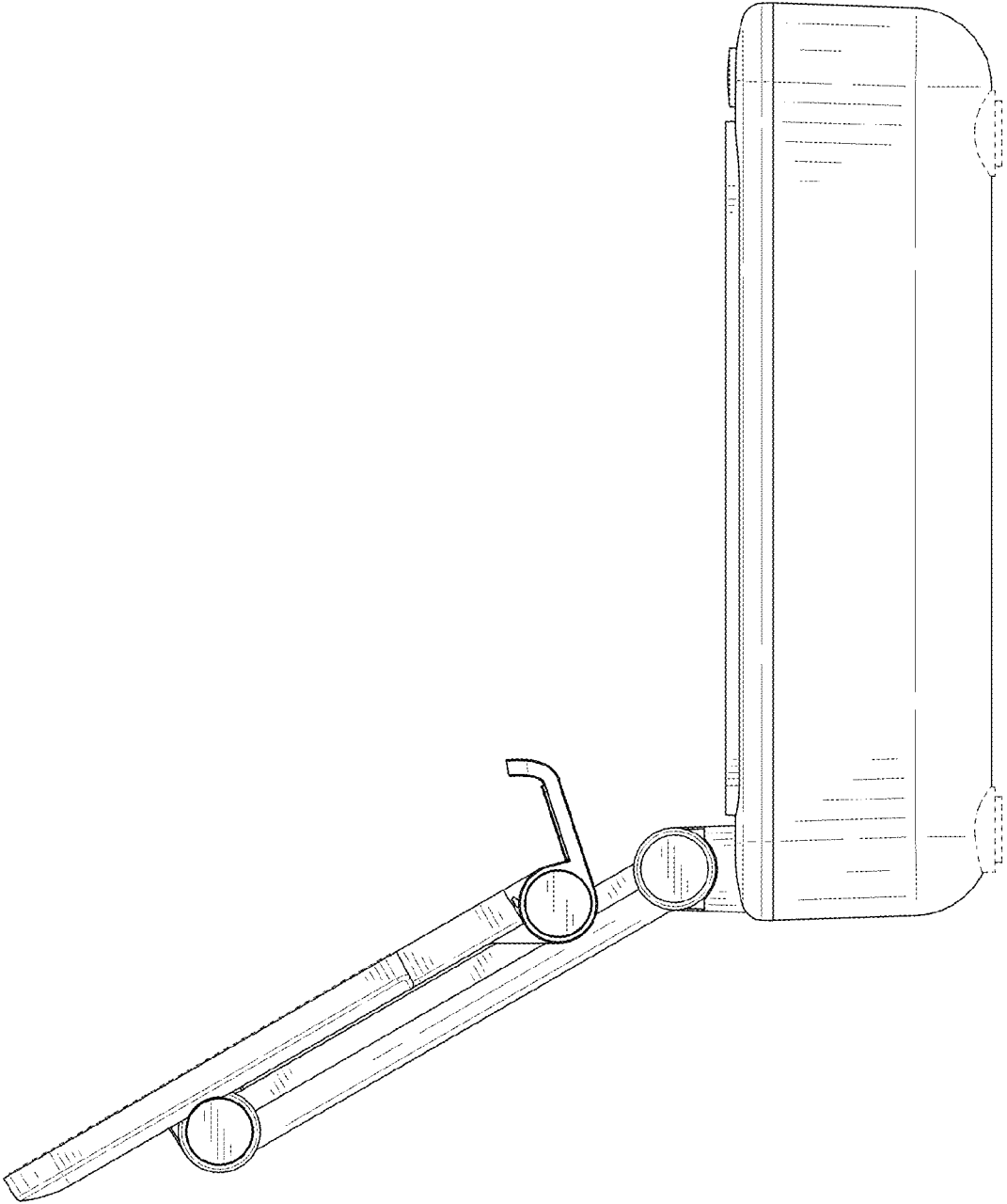


FIG. 5

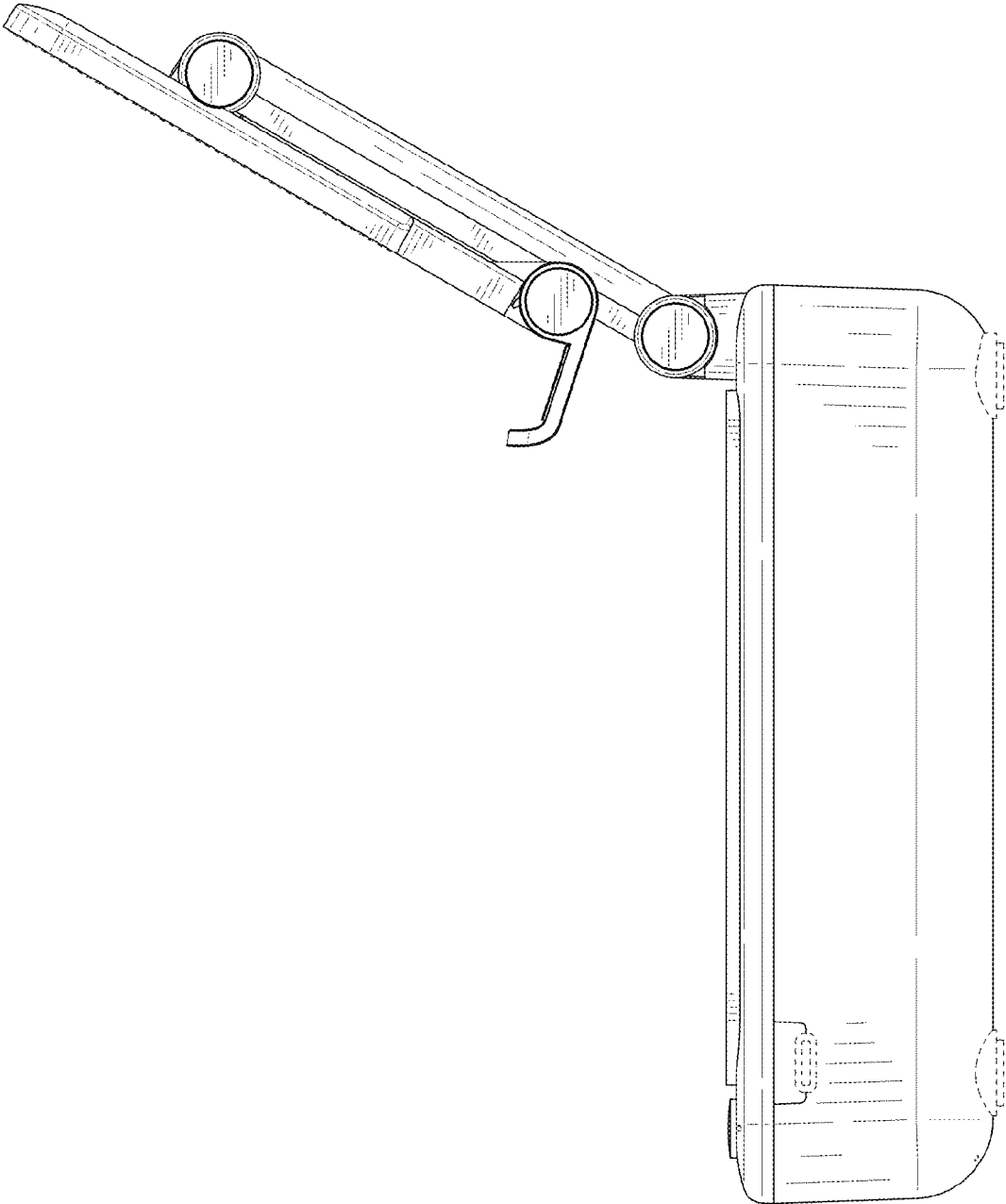


FIG. 6

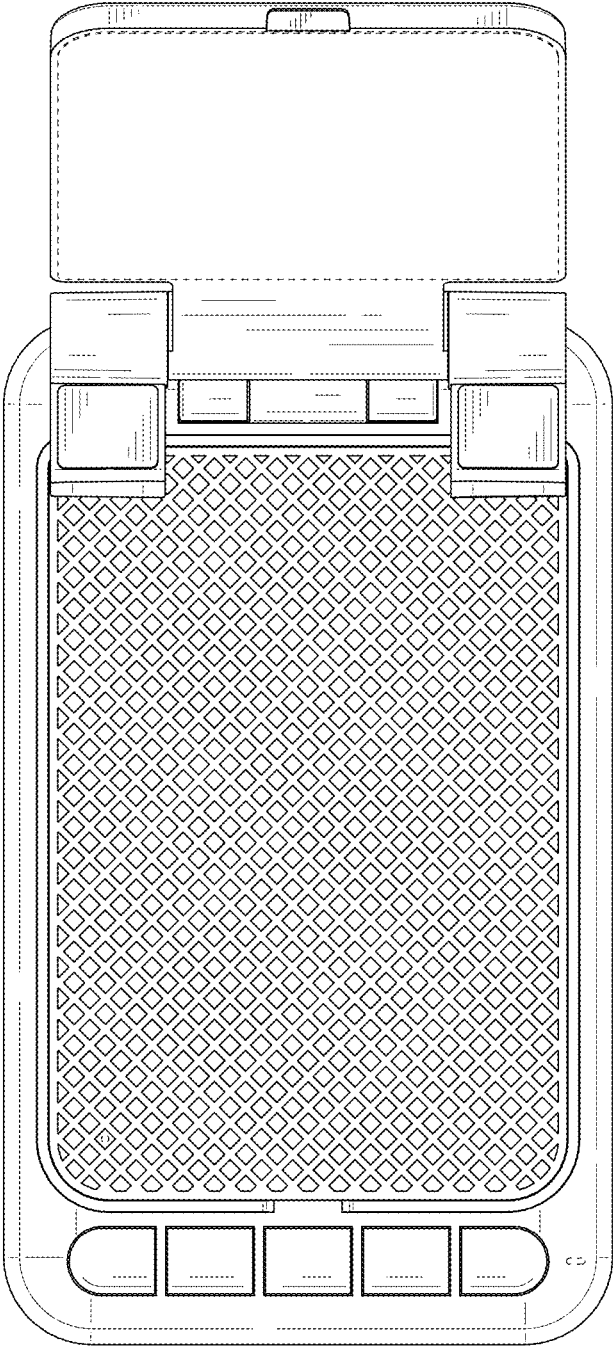


FIG. 7

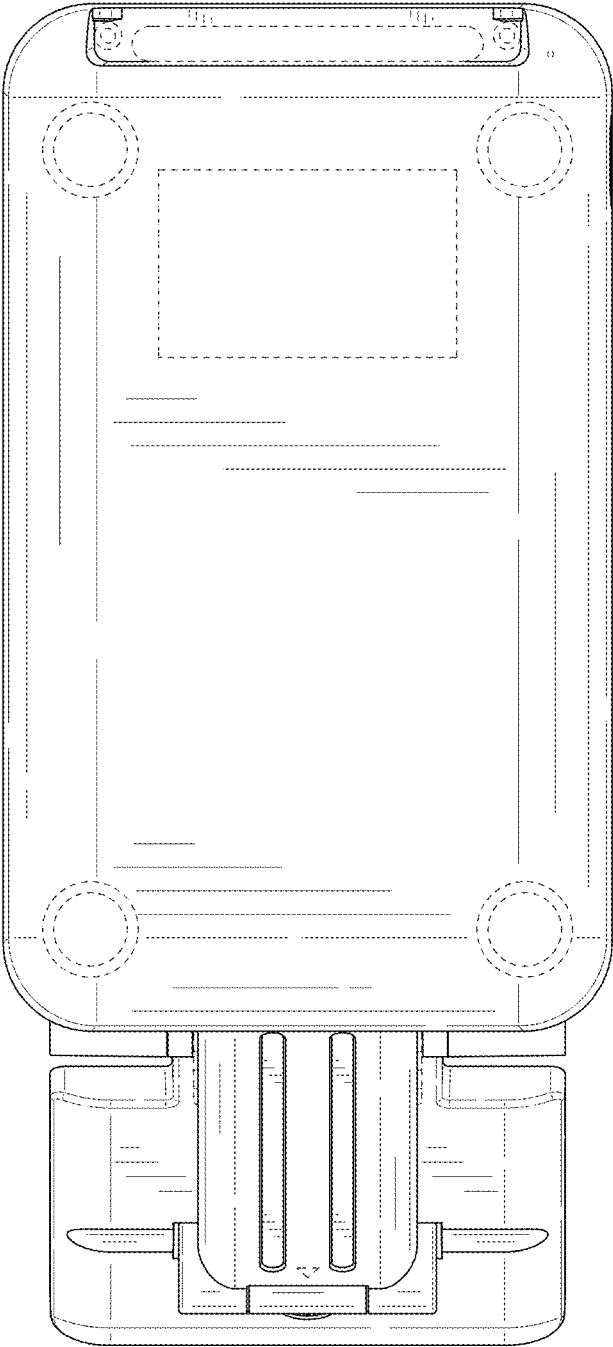


FIG. 8

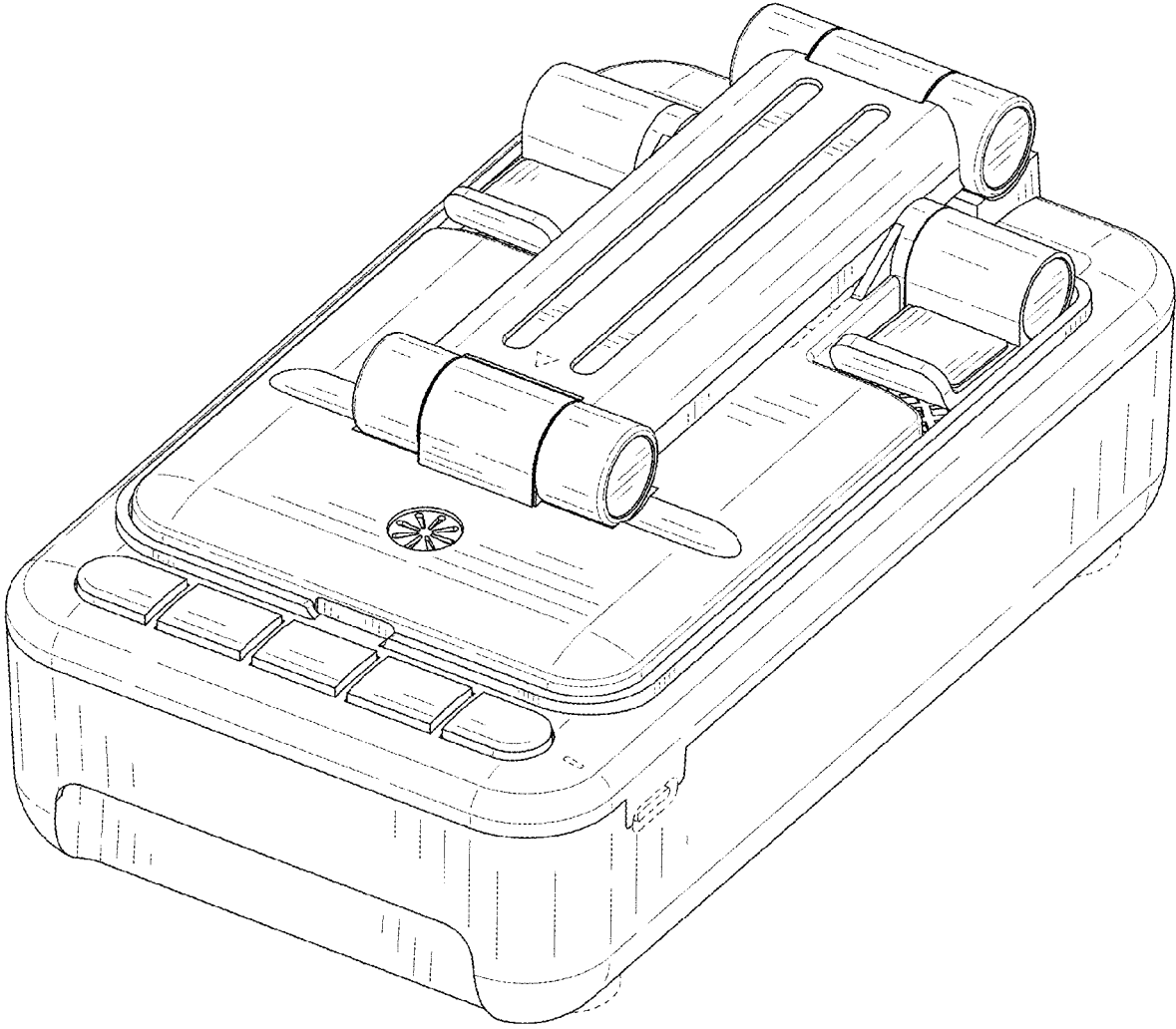


FIG. 9

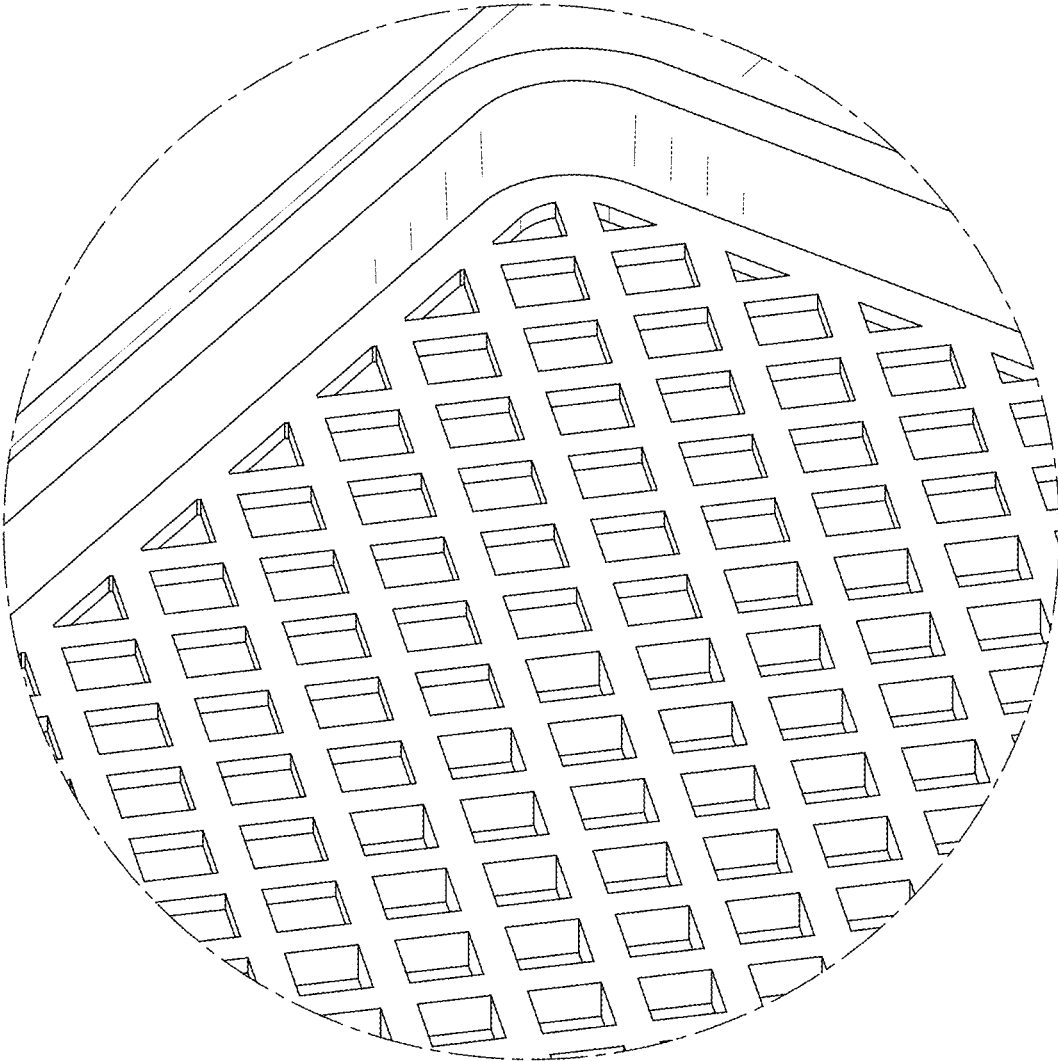


FIG. 10