



US00D488129S

(12) **United States Design Patent**  
**Kim**

(10) **Patent No.:** **US D488,129 S**

(45) **Date of Patent:** **\*\* Apr. 6, 2004**

(54) **TERMINAL FOR STORAGE BATTERY**

6,517,390 B2 \* 2/2003 Kim ..... 439/754

(76) **Inventor:** **Hwan-Chang Kim**, San 313-2 (2/2)  
A-2, Nam-dong, Yongin-shi,  
Gyeonggi-do (KR), 449-030

\* cited by examiner

*Primary Examiner*—Joel Sincavage  
(74) *Attorney, Agent, or Firm*—Lathrop & Gage LC

(\*\*) **Term:** **14 Years**

(57) **CLAIM**

(21) **Appl. No.:** **29/169,274**

The ornamental design for a terminal for storage battery, as shown and described.

(22) **Filed:** **Oct. 15, 2002**

**DESCRIPTION**

(30) **Foreign Application Priority Data**

Apr. 15, 2002 (KR) ..... 30-2002-0010852

(51) **LOC (7) Cl.** ..... **13-03**

(52) **U.S. Cl.** ..... **D13/120**

(58) **Field of Search** ..... D13/120; 439/761-764;  
429/121, 178

FIG. 1 is a perspective view of a terminal for storage battery, showing the new design;

FIG. 2 is a front elevational view of the terminal for storage battery;

FIG. 3 is a rear elevational view of the terminal for storage battery;

FIG. 4 is a right-side elevational view of the terminal for storage battery;

FIG. 5 is a left-side elevational view of the terminal for storage battery.

FIG. 6 is a top plan view of the terminal for storage battery; and,

FIG. 7 is a bottom plan view of the terminal for storage battery.

(56) **References Cited**

**U.S. PATENT DOCUMENTS**

5,302,142	A	*	4/1994	Tabata	.....	439/762
5,486,434	A	*	1/1996	Aoyama	.....	429/178
5,492,780	A	*	2/1996	Okada	.....	429/121
5,595,511	A	*	1/1997	Okada	.....	439/762
5,851,129	A	*	12/1998	Matsunaga et al.	.....	439/764
6,340,319	B1	*	1/2002	Matsunaga	.....	439/761

**1 Claim, 3 Drawing Sheets**

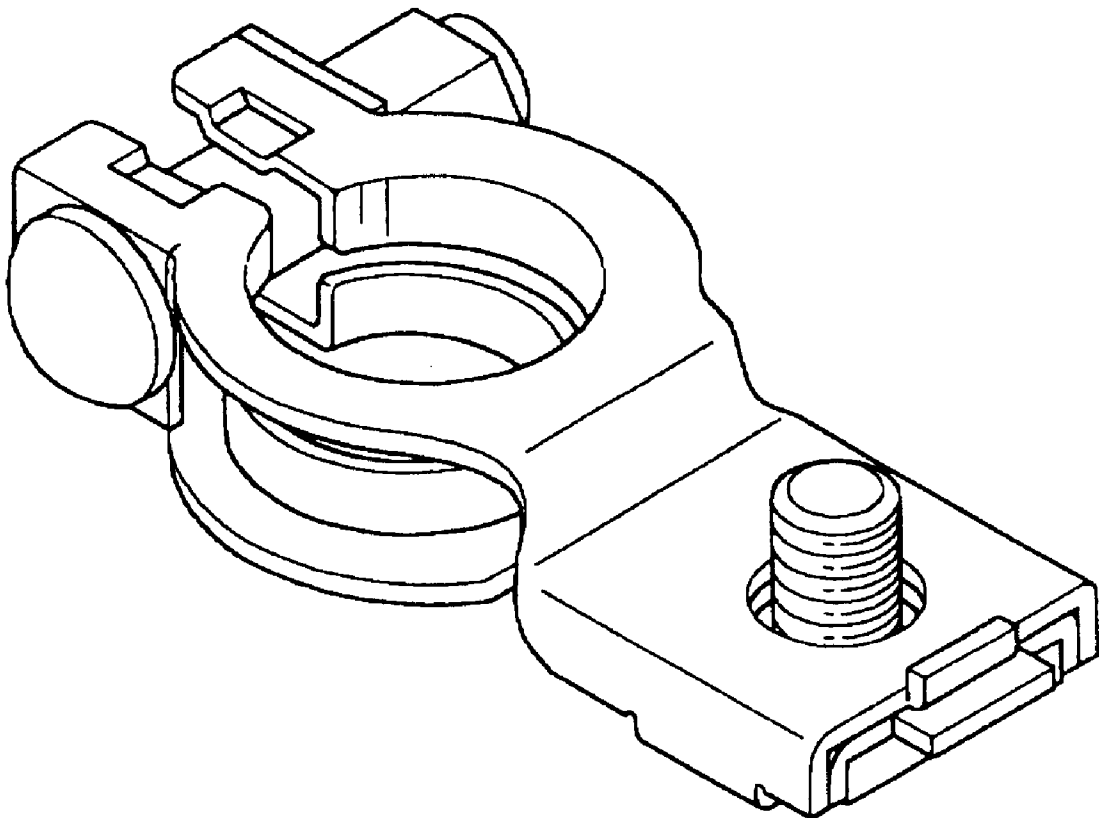


FIG. 1

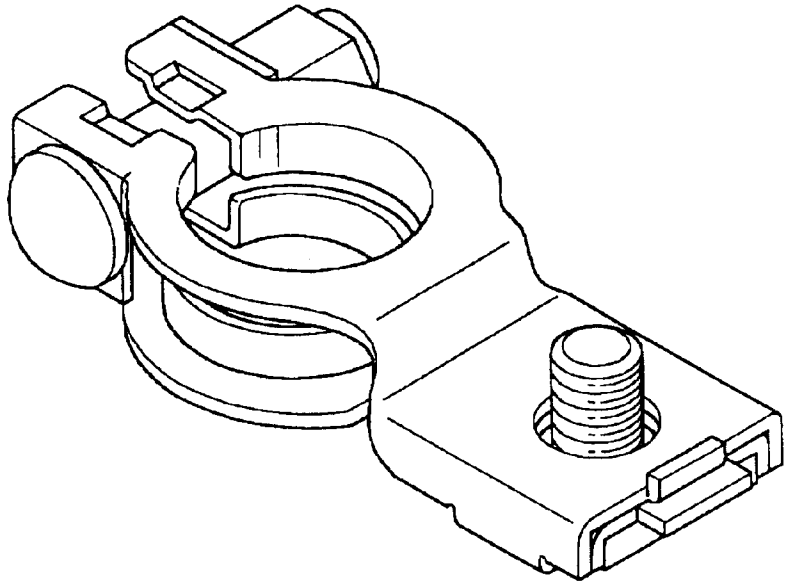


FIG. 2

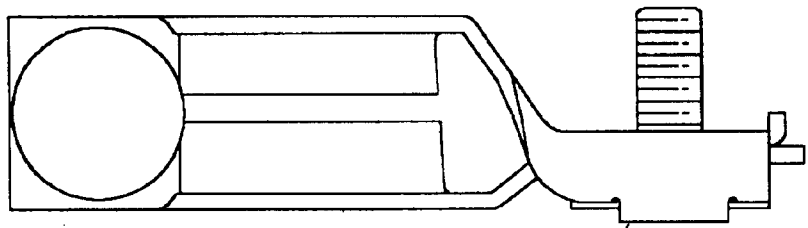


FIG. 3

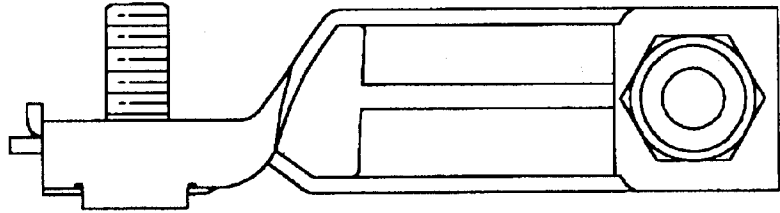


FIG. 4

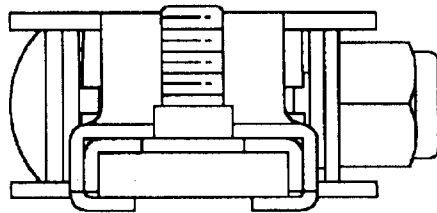


FIG. 5

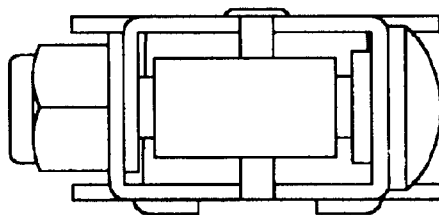


FIG. 6

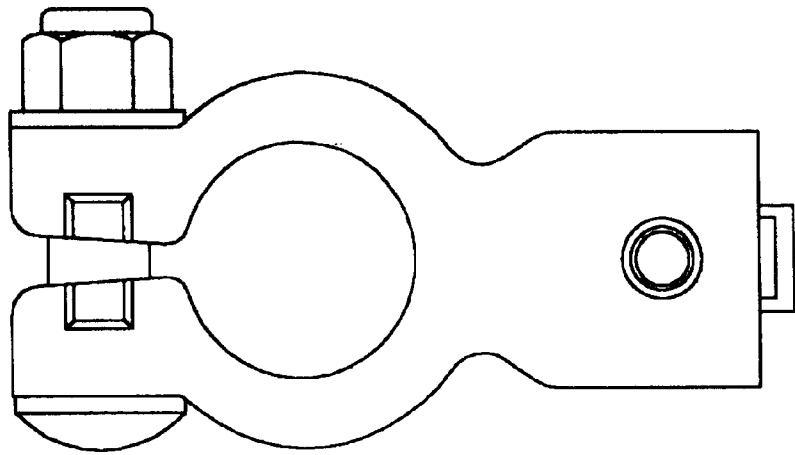


FIG. 7

