



US00D843471S

(12) **United States Design Patent**  
**Castro et al.**

(10) **Patent No.:** **US D843,471 S**  
(45) **Date of Patent:** **\*\* Mar. 19, 2019**

- (54) **GAMING TERMINAL**
- (71) Applicant: **Bally Gaming, Inc.**, Las Vegas, NV (US)
- (72) Inventors: **Christian L. Castro**, Chicago, IL (US);  
**Paul M. Lesley**, Blue Island, IL (US);  
**John Torpey**, Chicago, IL (US)
- (73) Assignee: **BALLY GAMING, INC.**, Las Vegas, NV (US)
- (\*\*) Term: **15 Years**
- (21) Appl. No.: **29/595,718**
- (22) Filed: **Mar. 1, 2017**
- (51) **LOC (11) Cl.** ..... **21-03**
- (52) **U.S. Cl.**  
USPC ..... **D21/369**
- (58) **Field of Classification Search**  
USPC ..... D21/369, 370, 371, 385, 329, 325, 394;  
D14/307, 172, 129, 325, 401, 371, 126,  
D14/439, 432, 450, 128, 375, 248, 374,  
D14/341, 138 G, 127; 463/28, 13, 11,  
463/16, 20, 25, 31, 46, 23, 30, 17, 36, 29,  
463/42, 34, 32, 35, 19, 21, 22; 273/292,  
273/203, 138.2, 143 R, 142 R, 138.1;  
D19/60; D16/226; D8/335, 331, 334;  
D26/141; D7/641  
CPC ..... G07F 17/32; G07F 17/34; G07F 17/3211;  
G07F 17/3244; G07F 17/3267  
See application file for complete search history.

- D446,252 S 8/2001 Yamaguchi
- D450,094 S 11/2001 Hedrick et al.
- D450,096 S 11/2001 Legras et al.
- D450,310 S 11/2001 Hedrick et al.
- D450,353 S 11/2001 LeSourd et al.
- D450,780 S 11/2001 Holtz et al.
- D451,148 S 11/2001 Hedrick et al.
- D451,153 S 11/2001 Hedrick et al.
- D452,535 S 12/2001 Johnson et al.
- D454,921 S 3/2002 Legras et al.
- D456,046 S 4/2002 Hedrick et al.
- D456,457 S 4/2002 Hedrick et al.
- D456,855 S 5/2002 Hedrick et al.
- D458,971 S 6/2002 Stephan
- D459,402 S 6/2002 Wurz et al.
- D459,759 S 7/2002 Shepherd et al.
- D462,397 S 9/2002 Baker et al.
- D463,503 S 9/2002 Stephan
- D463,504 S 9/2002 Stephan
- D464,377 S 10/2002 Wurz et al.
- D465,813 S 11/2002 Randall

(Continued)

*Primary Examiner* — Ryan Harvey  
(74) *Attorney, Agent, or Firm* — Banner & Witcoff, Ltd.

(57) **CLAIM**

The ornamental design for a gaming terminal, as shown and described.

**DESCRIPTION**

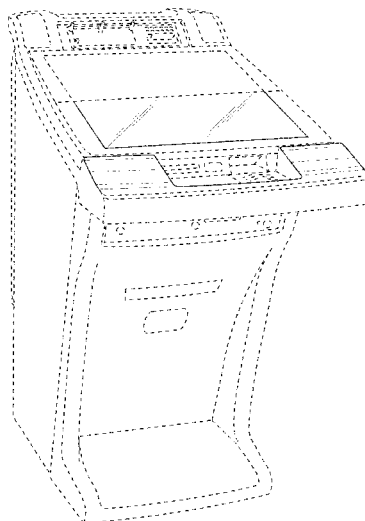
FIG. 1 is a front perspective view of a gaming terminal showing our new design;  
FIG. 2 is a front view thereof;  
FIG. 3 is a left side view thereof;  
FIG. 4 is a right side view thereof; and,  
FIG. 5 is a top view thereof.  
The broken lines immediately adjacent to the shaded regions define the bounds of the claimed design and form no part thereof. The broken line showing of the remainder of the gaming terminal illustrates environmental structure and forms no part of the claimed design.

**1 Claim, 5 Drawing Sheets**

(56) **References Cited**

**U.S. PATENT DOCUMENTS**

- D284,592 S 7/1986 Drews et al.
- D351,869 S 10/1994 Rothschild et al.
- D406,612 S \* 3/1999 Johnson ..... D21/327
- D406,865 S 3/1999 Heidel



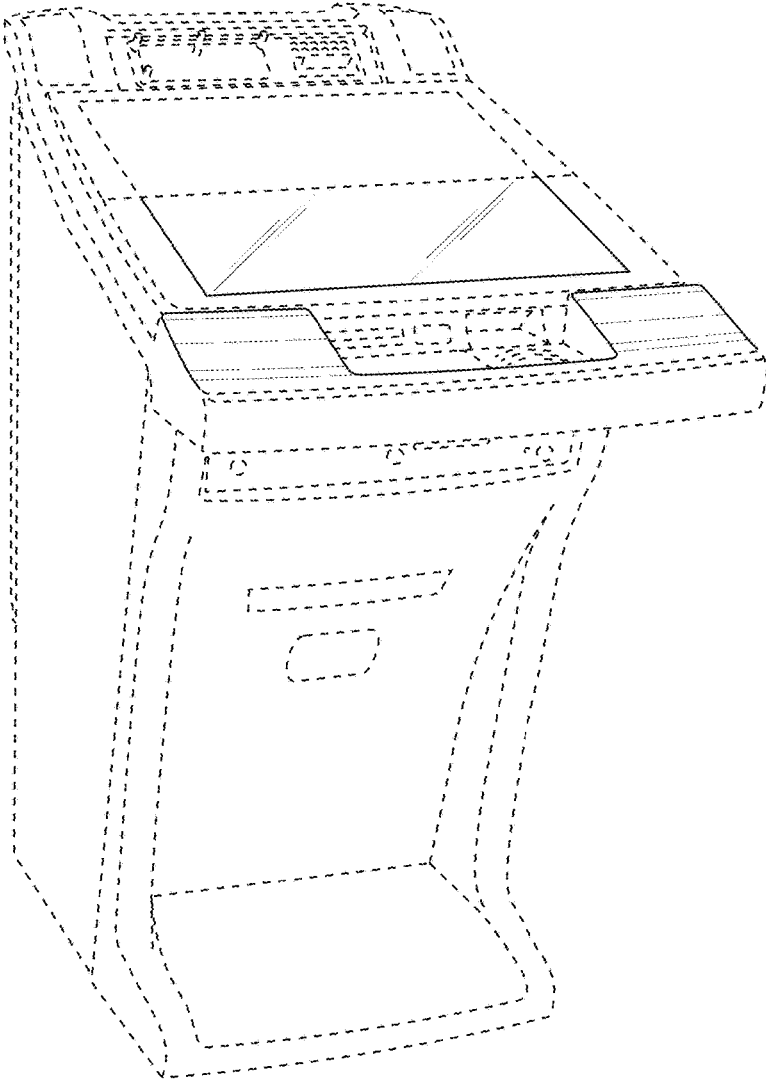
(56)

References Cited

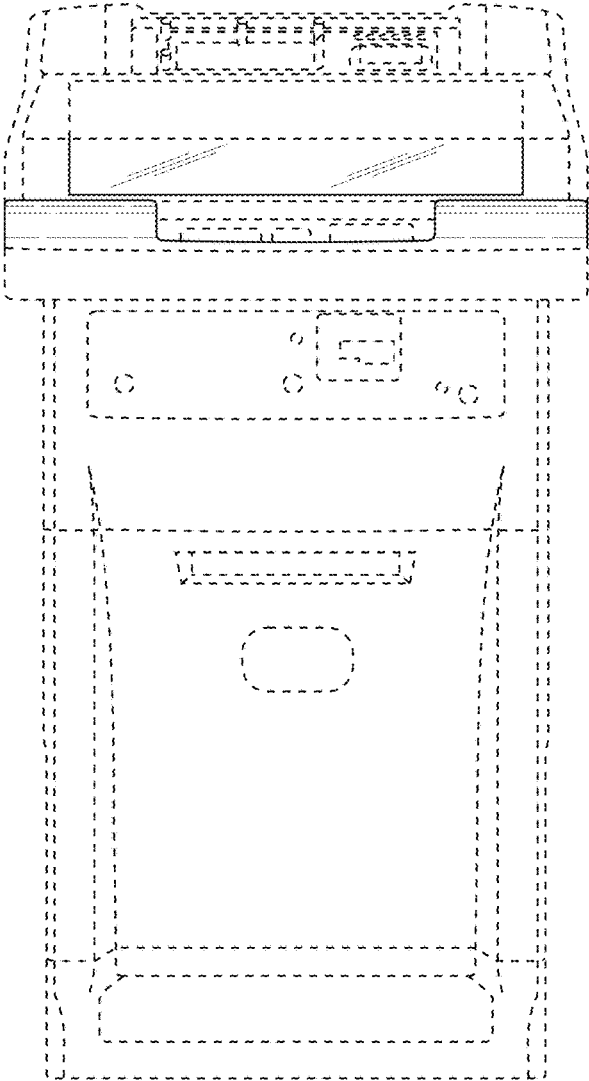
U.S. PATENT DOCUMENTS

D486,869 S	2/2004	Webb et al.	RE40,671 E	3/2009	Wurz et al.	
D487,582 S	3/2004	McGahn et al.	D595,783 S	7/2009	Anderson	
D490,478 S	5/2004	McGahn et al.	D595,784 S	7/2009	Wells et al.	
D492,734 S	7/2004	Karstens	D595,785 S	7/2009	Wells et al.	
D494,636 S	8/2004	Chudd et al.	D596,678 S *	7/2009	Myers	D21/370
D494,637 S	8/2004	Chudd	D597,144 S	7/2009	Myers	
D494,638 S	8/2004	Chudd et al.	D599,858 S	9/2009	Lesley et al.	
D495,754 S	9/2004	Wurz et al.	D599,859 S	9/2009	Lesley et al.	
D495,755 S	9/2004	Wurz et al.	D599,860 S	9/2009	Lesley et al.	
D496,407 S	9/2004	Gadda et al.	D601,637 S	10/2009	Myers et al.	
D496,968 S	10/2004	Baerlocher	D602,995 S	10/2009	Takeuchi	
D497,188 S	10/2004	Mahaffey	D602,996 S	10/2009	Takeuchi	
D498,268 S	11/2004	Kaminkow et al.	D603,459 S	11/2009	Tsuchida et al.	
D498,504 S	11/2004	Karstens	D603,460 S	11/2009	Taniguchi	
D498,796 S	11/2004	Karstens	D604,368 S	11/2009	Lesley et al.	
D498,797 S	11/2004	Karstens	D611,996 S	3/2010	Shimizu et al.	
D502,243 S	2/2005	King	D613,802 S *	4/2010	Meyers	D21/370
D503,450 S	3/2005	King	D616,042 S	5/2010	Shimizu et al.	
D503,751 S	4/2005	Kaminkow et al.	D617,388 S	6/2010	Wildner et al.	
D503,951 S	4/2005	Karstens	D617,389 S	6/2010	Wildner et al.	
D504,161 S	4/2005	Chudd et al.	D622,780 S	8/2010	Lesley et al.	
D504,473 S	4/2005	Baerlocher	D622,781 S	8/2010	Lesley et al.	
D508,268 S	8/2005	Hanchar et al.	D622,782 S *	8/2010	Chudek	D21/385
D508,270 S	8/2005	McGahn et al.	D624,604 S	9/2010	Wudtke	
D509,254 S	9/2005	Rasmussen et al.	D625,368 S	10/2010	Nelson et al.	
D510,752 S	10/2005	Baerlocher	D642,224 S	7/2011	Taniguchi	
D511,549 S	11/2005	Kaminkow et al.	D646,336 S	10/2011	Kelly et al.	
D512,105 S	11/2005	Chitrapongse et al.	D646,337 S	10/2011	Kelly et al.	
D512,464 S	12/2005	Karstens	D673,620 S *	1/2013	Johnson	D21/369
D512,465 S	12/2005	Karstens	D673,622 S	1/2013	Wudtke	
D514,168 S	1/2006	Kaminkow et al.	D678,955 S	3/2013	Lesley et al.	
D514,170 S	1/2006	Kaminkow et al.	D678,956 S	3/2013	Lesley et al.	
D519,571 S	4/2006	Myers	D678,957 S	3/2013	Cesaroni et al.	
D519,572 S	4/2006	Myers	D678,958 S	3/2013	Cesaroni et al.	
D519,573 S	4/2006	Myers	D681,130 S	4/2013	Lesley et al.	
D519,574 S	4/2006	Myers	D682,948 S	5/2013	Cesaroni et al.	
D519,575 S	4/2006	Myers	D685,033 S	6/2013	Wudtke	
D519,576 S	4/2006	Wagg	D685,435 S *	7/2013	Hohman	D21/370
D520,074 S	5/2006	Myers	D691,665 S	10/2013	Chudek	
D520,075 S	5/2006	Wagg	D691,666 S	10/2013	Lesley et al.	
D520,076 S	5/2006	McGahn et al.	D697,558 S *	1/2014	Myers	D21/325
D521,077 S	5/2006	Myers	D704,273 S	5/2014	Chudek	
D521,078 S	5/2006	McGahn et al.	D704,274 S	5/2014	Ono	
D522,589 S	6/2006	Myers	D704,275 S	5/2014	Lesley et al.	
D523,908 S	6/2006	Hedrick et al.	D705,363 S	5/2014	Inoue et al.	
D525,316 S	7/2006	De Palma	D706,359 S	6/2014	Wudtke	
D529,965 S	10/2006	Hedrick et al.	D706,741 S *	6/2014	Myers	D14/172
D532,831 S	11/2006	Baerlocher et al.	D707,301 S	6/2014	Inoue et al.	
D537,127 S	2/2007	Kaminkow et al.	D707,302 S	6/2014	Inoue et al.	
D537,885 S	3/2007	Gadda et al.	D712,975 S	9/2014	Lesley et al.	
D539,854 S	4/2007	Luciano et al.	D714,392 S	9/2014	Arabian	
D540,398 S	4/2007	Gadda et al.	D714,875 S	10/2014	Wudtke et al.	
D540,399 S	4/2007	Gadda et al.	D715,364 S	10/2014	Wudtke et al.	
D548,288 S	8/2007	Baerlocher et al.	D719,615 S	12/2014	Inoue et al.	
D548,800 S	8/2007	Kaminkow et al.	D719,616 S	12/2014	Inoue et al.	
D549,785 S	8/2007	Luciano, Jr. et al.	D719,617 S	12/2014	Inoue	
D550,301 S	9/2007	Luciano, Jr. et al.	D723,626 S	3/2015	Vasquez et al.	
D560,255 S	1/2008	Luciano, Jr. et al.	D729,321 S	5/2015	Arabian	
D560,724 S	1/2008	Johnson	D740,888 S *	10/2015	DePalma	D21/370
D560,725 S	1/2008	Johnson	D742,974 S	11/2015	Lesley et al.	
D562,912 S	2/2008	Myers	D742,975 S *	11/2015	Myers	D21/370
D564,600 S	3/2008	Greenberg et al.	D763,361 S	8/2016	Rosander et al.	
D564,601 S	3/2008	Strahinic et al.	RE46,169 E	10/2016	Kelly et al.	
D566,197 S	4/2008	Greenberg et al.	9,741,200 B2 *	8/2017	Lesley	G07F 17/3211
D572,314 S	7/2008	Vallejo et al.	D808,354 S *	1/2018	Castro	D14/127
D577,077 S	9/2008	Mitchell et al.	D808,467 S *	1/2018	Huang	D21/369
D577,078 S	9/2008	Shimizu et al.	D812,149 S *	3/2018	Castro	D21/369
D579,500 S	10/2008	Luciano, Jr. et al.	2010/0124962 A1 *	5/2010	Chudek	G07F 17/32
RE40,625 E	1/2009	Wurz et al.				463/13
			2016/0364946 A1 *	12/2016	Castro	G07F 17/3216
			2017/0039803 A1 *	2/2017	Lesley	G07F 17/3216

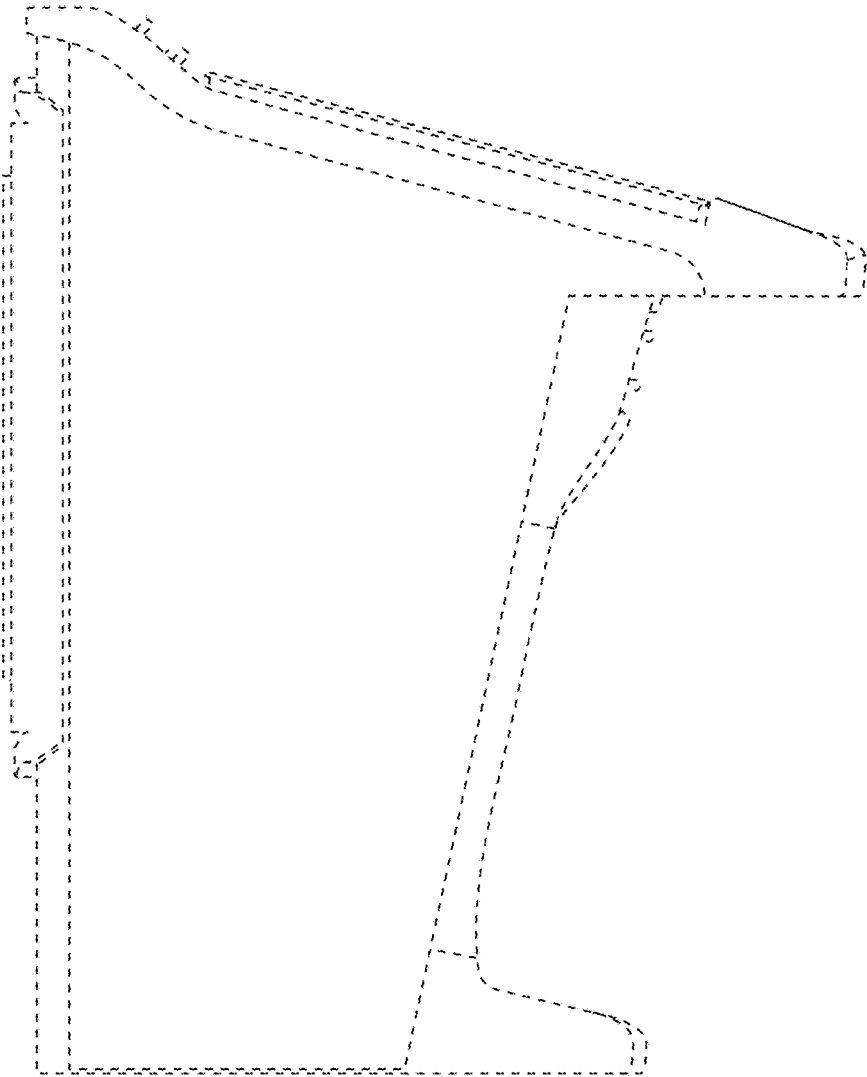
\* cited by examiner



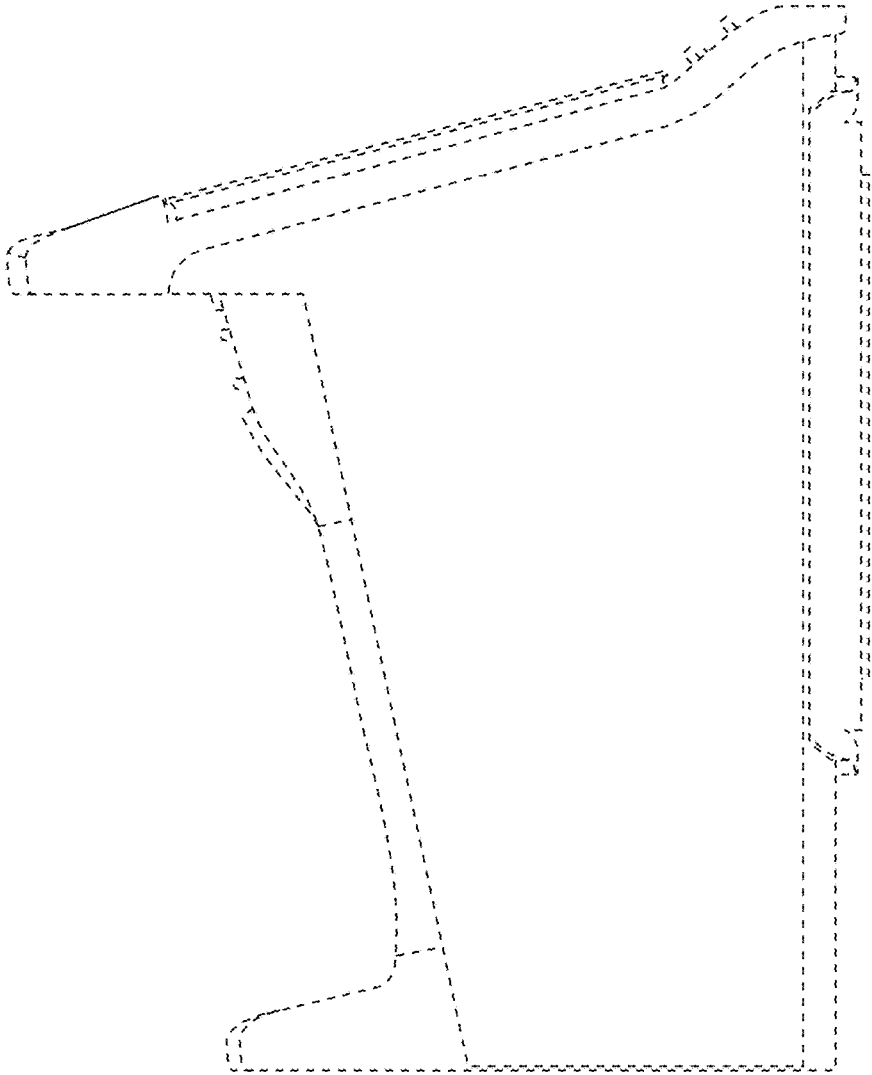
**FIG. 1**



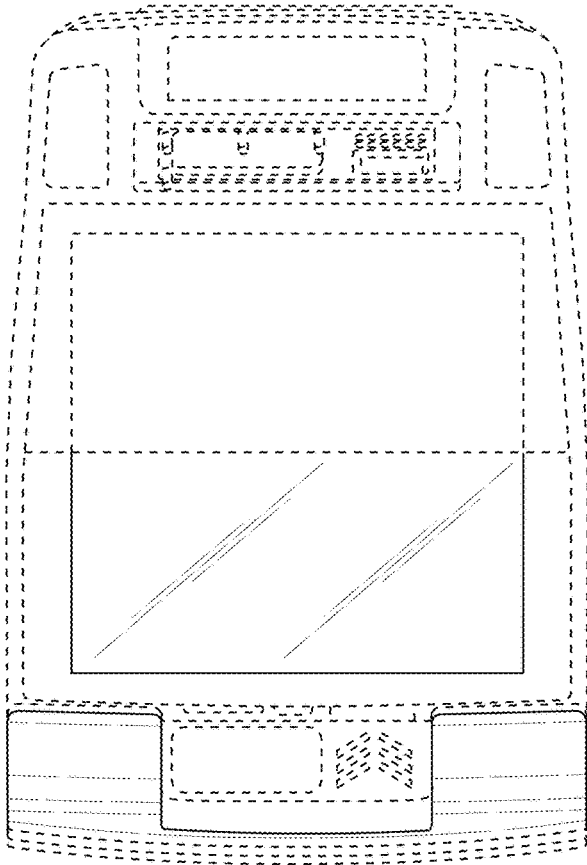
**FIG. 2**



**FIG. 3**



**FIG. 4**



**FIG. 5**