



US00D682147S

(12) **United States Design Patent**
Dubow

(10) **Patent No.:** **US D682,147 S**

(45) **Date of Patent:** **** May 14, 2013**

- (54) **WOODY CORK HOLDER**
- (71) Applicant: **Epic Products, Inc.**, Santa Ana, CA (US)
- (72) Inventor: **Ardeen Dubow**, Santa Ana, AR (US)
- (73) Assignee: **Epic Products, Inc.**, Santa Ana, CA (US)

D309,429 S *	7/1990	Grimm	D3/271.1
D436,145 S *	1/2001	Chan	D21/541
D545,925 S *	7/2007	Milner	D21/533
D617,611 S *	6/2010	DuBow	D7/628
D617,612 S *	6/2010	DuBow	D7/628
D626,325 S *	11/2010	DuBow	D3/202
D639,159 S *	6/2011	Dubow	D9/439
D672,684 S *	12/2012	Dubow	D11/157
D674,317 S *	1/2013	Dubow	D11/157

* cited by examiner

(**) Term: **14 Years**

Primary Examiner — T. Chase Nelson
Assistant Examiner — Michelle E Wilson
 (74) *Attorney, Agent, or Firm* — Nath, Goldberg & Meyer;
 Jerald L. Meyer; Scott C. Langford

(21) Appl. No.: **29/440,707**

(22) Filed: **Dec. 26, 2012**

(51) **LOC (9) Cl.** **11-02**

(52) **U.S. Cl.**
USPC **D11/157**

(58) **Field of Classification Search** D11/130,
 D11/157, 164, 184; D17/19, 20, 14; D7/560,
 D7/564, 563, 571, 628, 604, 606, 625, 601;
 D9/681, 600; D3/270, 271.1; 206/206
 See application file for complete search history.

(56) **References Cited**

U.S. PATENT DOCUMENTS

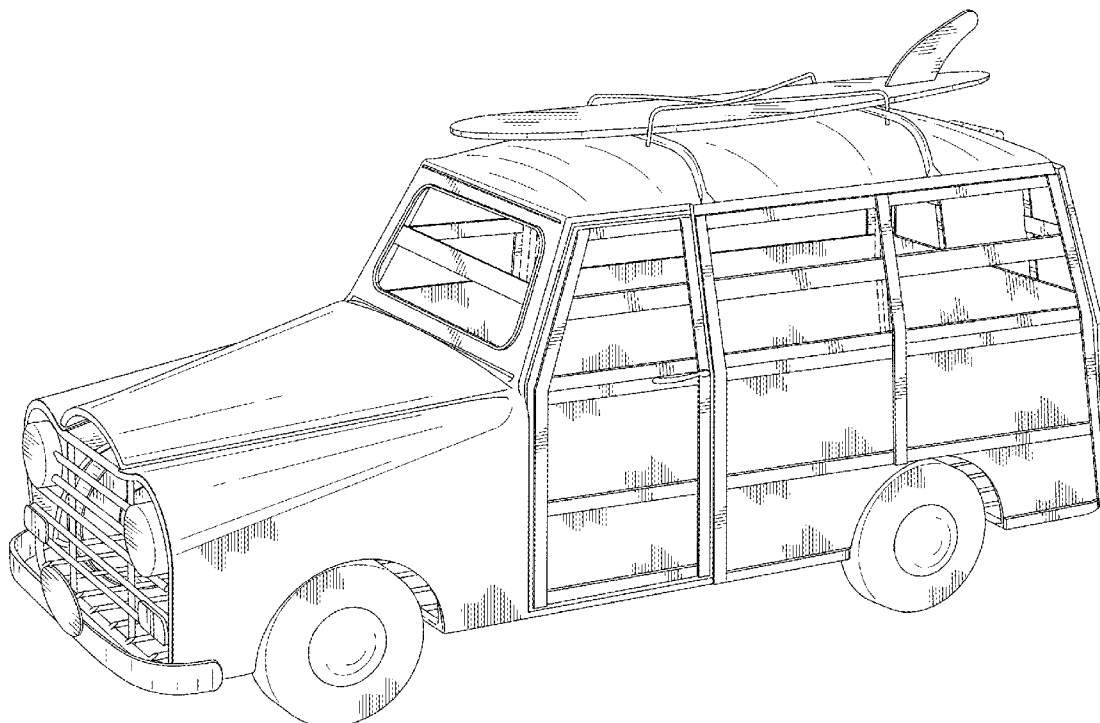
D287,650 S *	1/1987	Braeuner	D30/110
D309,047 S *	7/1990	Small	D30/114

(57) **CLAIM**
The ornamental design for a woody cork holder, as shown and described.

DESCRIPTION

FIG. 1 is a front, right side and top perspective view of a woody cork holder showing my new design;
 FIG. 2 is a left side, front and top perspective view thereof;
 FIG. 3 is a back, bottom and left side view thereof;
 FIG. 4 is a right side, bottom and back view thereof;
 FIG. 5 is a front view thereof; and,
 FIG. 6 is a back view thereof.
 The broken lines depict portions of the woody cork holder that form no part of the claimed design.

1 Claim, 6 Drawing Sheets



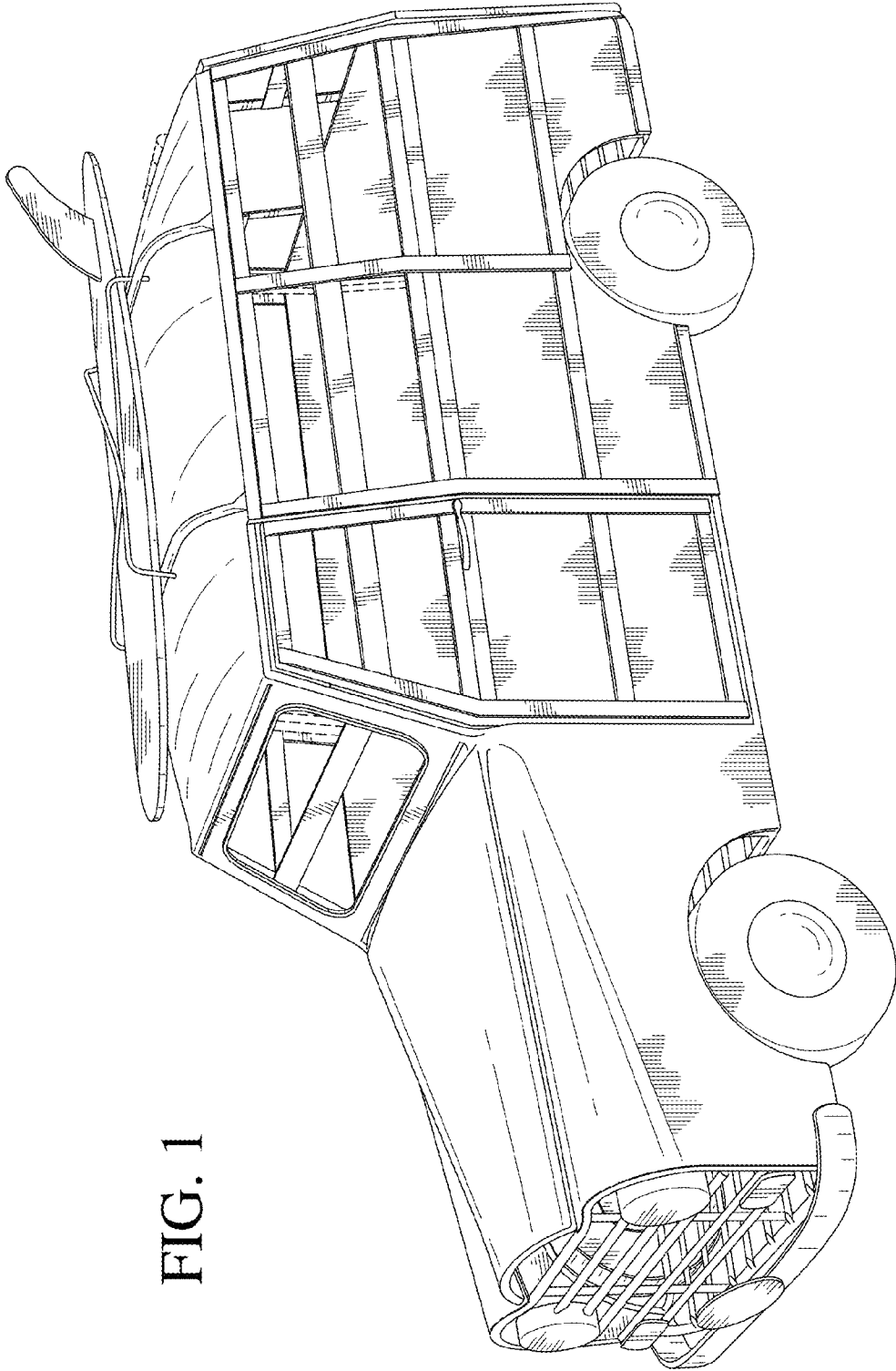


FIG. 1

FIG. 2

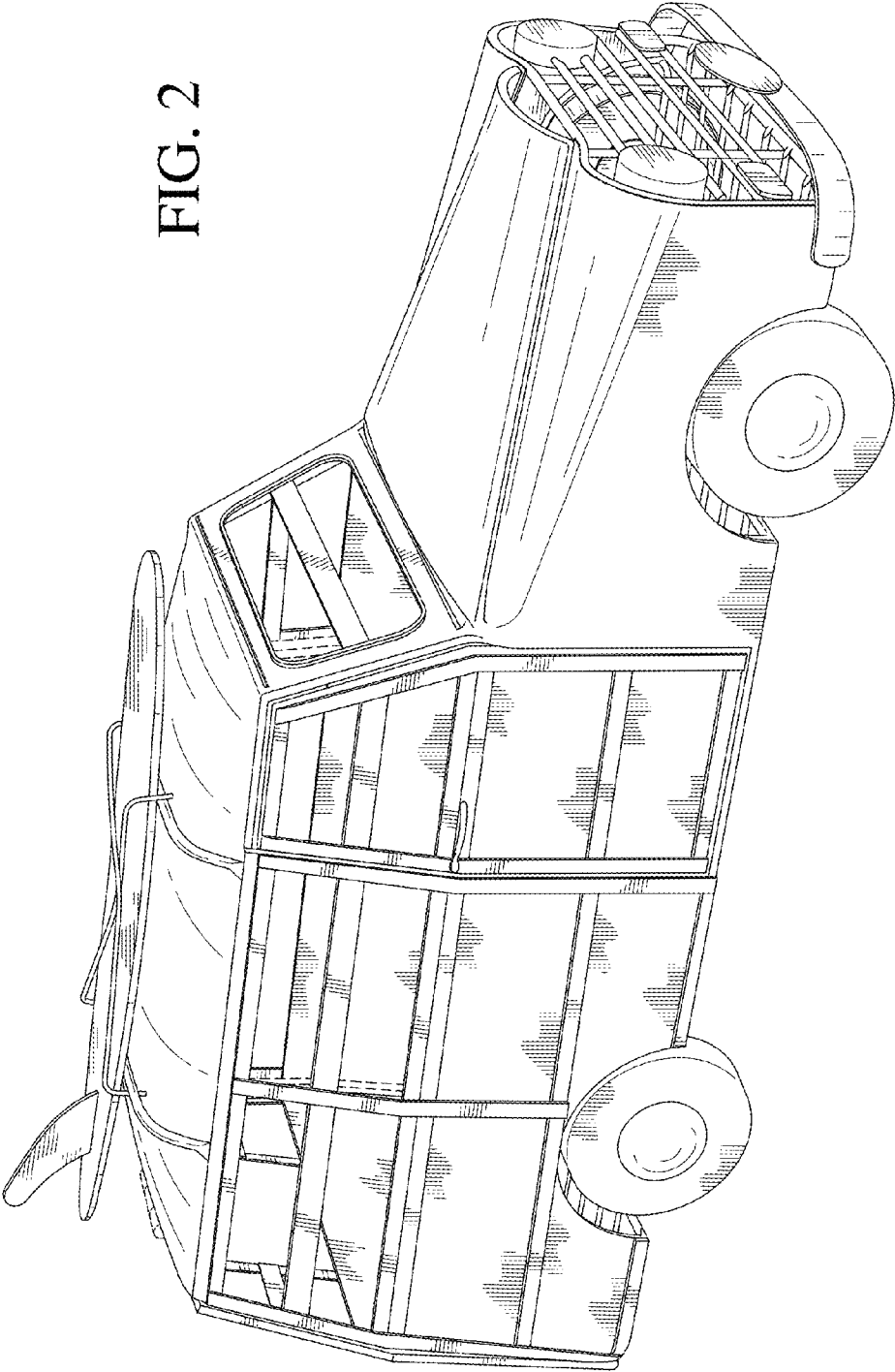
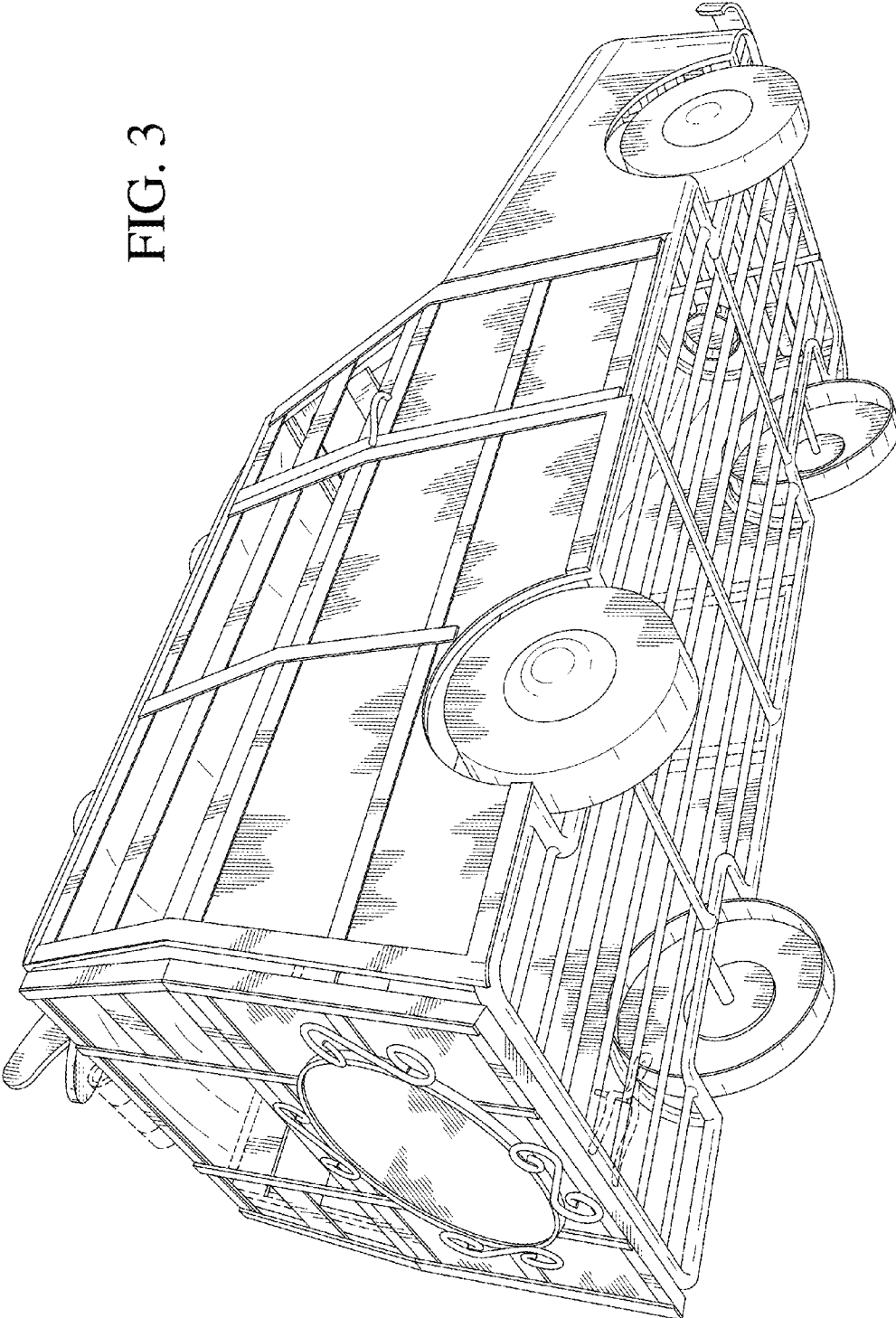


FIG. 3



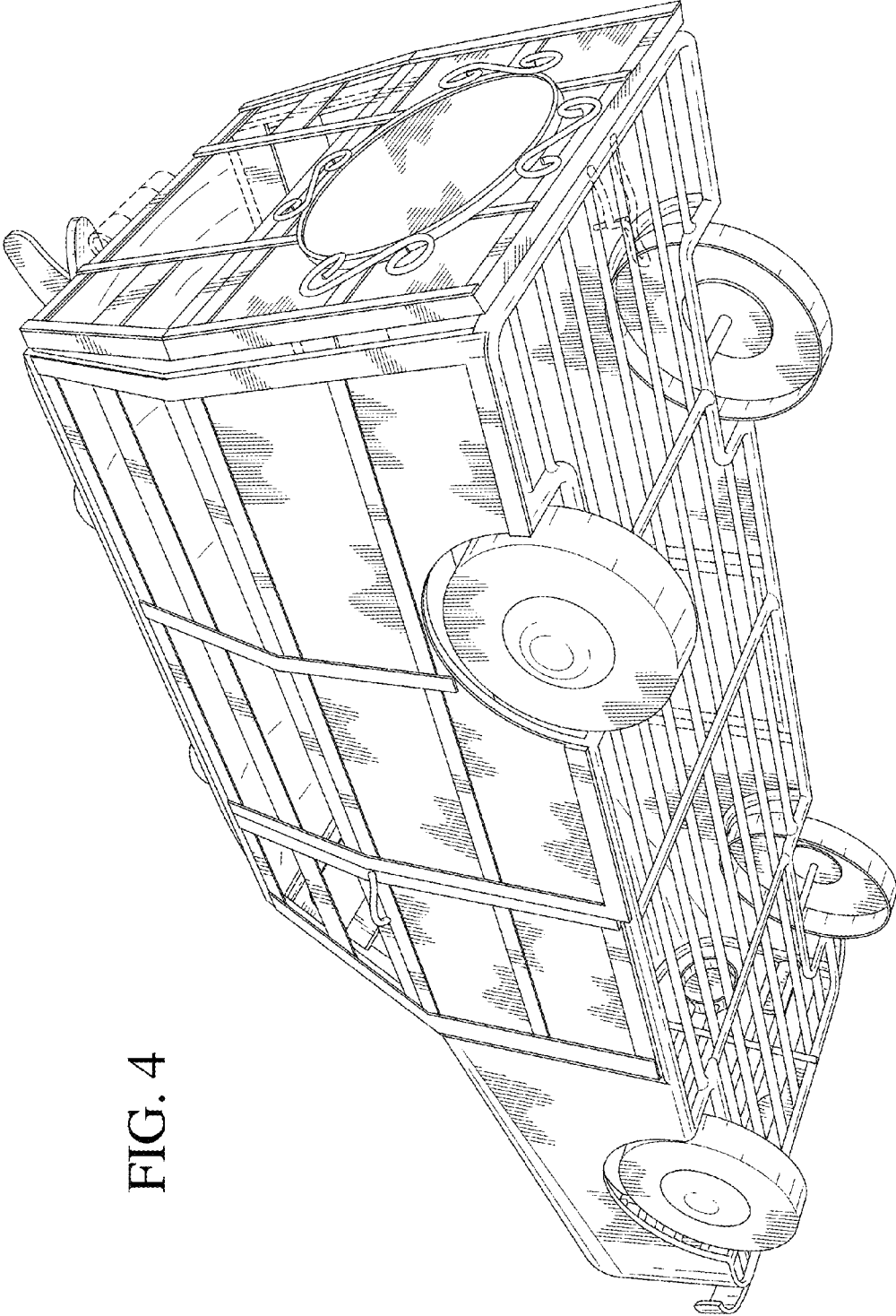


FIG. 4

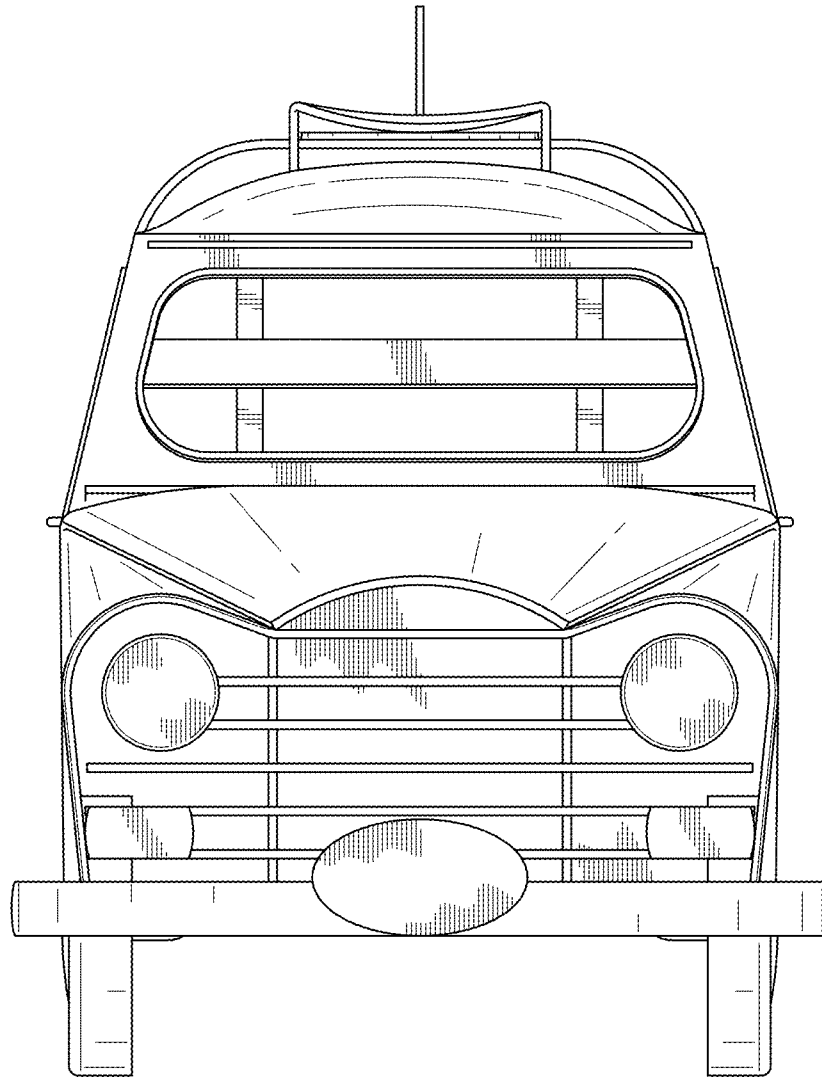


FIG. 5

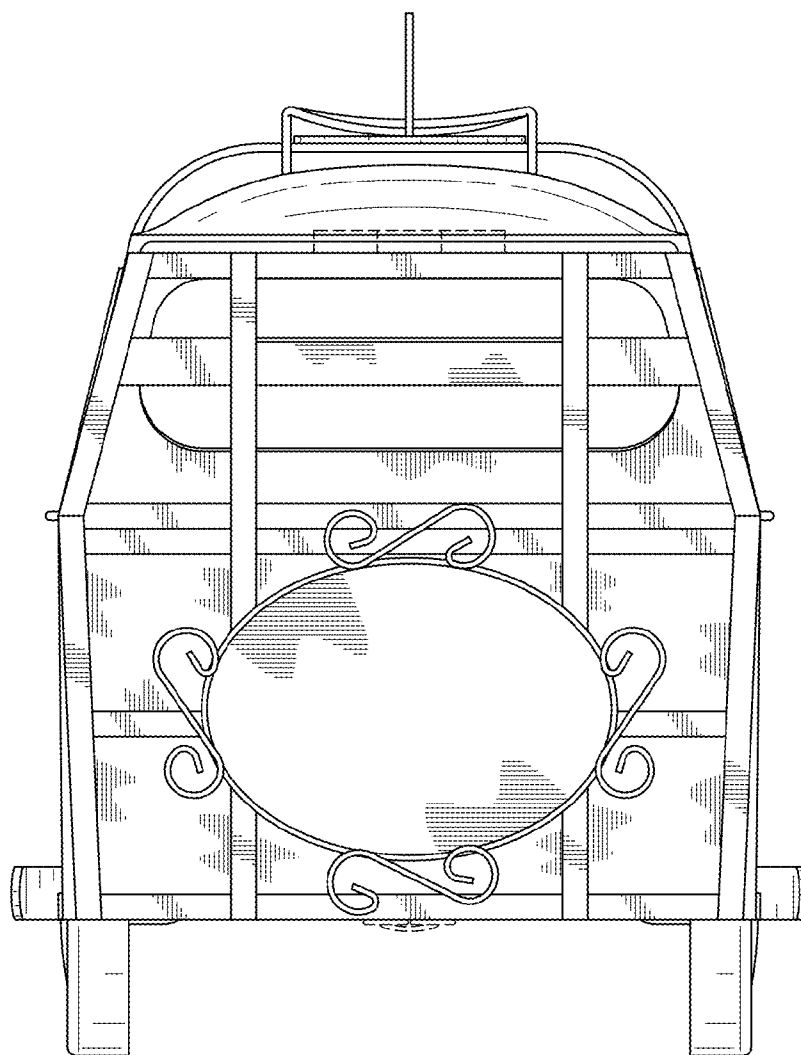


FIG. 6