



(43) International Publication Date  
27 September 2012 (27.09.2012)

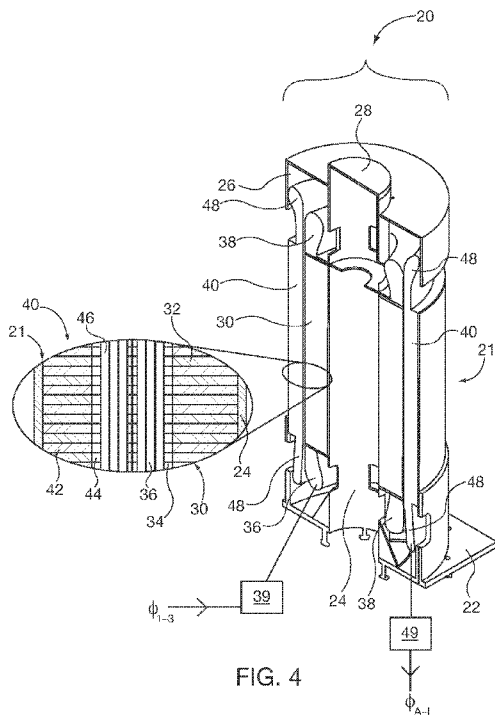
- (51) International Patent Classification:  
H01F 30/14 (2006.01) H02M 5/14 (2006.01)
- (21) International Application Number:  
PCT/US2012/027837
- (22) International Filing Date:  
6 March 2012 (06.03.2012)
- (25) Filing Language: English
- (26) Publication Language: English
- (30) Priority Data:  
13/053,666 22 March 2011 (22.03.2011) US
- (71) Applicant (for all designated States except US):  
SIEMENS INDUSTRY, INC. [US/US]; 3333 Old Milton Parkway, Alpharetta, Georgia 30005-4437 (US).
- (72) Inventor; and
- (75) Inventor/Applicant (for US only): CURIAC, Radu Stefan [CA/US]; 3935 Deer Walk Court, Erlanger, Kentucky 41018 (US).
- (74) Agents: KOWALEWSKI, Filip Aleksander et al.; Siemens Corporation - Intellectual Property Dept., 170 Wood Avenue South, Iselin, New Jersey 08830 (US).

- (81) Designated States (unless otherwise indicated, for every kind of national protection available): AE, AG, AL, AM, AO, AT, AU, AZ, BA, BB, BG, BH, BR, BW, BY, BZ, CA, CH, CL, CN, CO, CR, CU, CZ, DE, DK, DM, DO, DZ, EC, EE, EG, ES, FI, GB, GD, GE, GH, GM, GT, HN, HR, HU, ID, IL, IN, IS, JP, KE, KG, KM, KN, KP, KR, KZ, LA, LC, LK, LR, LS, LT, LU, LY, MA, MD, ME, MG, MK, MN, MW, MX, MY, MZ, NA, NG, NI, NO, NZ, OM, PE, PG, PH, PL, PT, QA, RO, RS, RU, RW, SC, SD, SE, SG, SK, SL, SM, ST, SV, SY, TH, TJ, TM, TN, TR, TT, TZ, UA, UG, US, UZ, VC, VN, ZA, ZM, ZW.
- (84) Designated States (unless otherwise indicated, for every kind of regional protection available): ARIPO (BW, GH, GM, KE, LR, LS, MW, MZ, NA, RW, SD, SL, SZ, TZ, UG, ZM, ZW), Eurasian (AM, AZ, BY, KG, KZ, MD, RU, TJ, TM), European (AL, AT, BE, BG, CH, CY, CZ, DE, DK, EE, ES, FI, FR, GB, GR, HR, HU, IE, IS, IT, LT, LU, LV, MC, MK, MT, NL, NO, PL, PT, RO, RS, SE, SI, SK, SM, TR), OAPI (BF, BJ, CF, CG, CI, CM, GA, GN, GQ, GW, ML, MR, NE, SN, TD, TG).

Published:  
— with international search report (Art. 21(3))

[Continued on next page]

(54) Title: MODULAR RECONFIGURABLE POLYPHASE POWER TRANSFORMER



(57) Abstract: An AC transformer having a cylindrical core configurable for single or polyphase power input and/or output transformer applications. The transformer core structure is capable of being configured to provide for single or polyphase inputs or outputs by varying the transformer primary and secondary winding configurations. A polyphase input configuration can be utilized in polyphase output transformers, such as for variable frequency drive (VFD) applications. Additional methods for winding transformer cores minimize the quantity of core winding wire necessary for transformer manufacture.





---

— *before the expiration of the time limit for amending the claims and to be republished in the event of receipt of amendments (Rule 48.2(h))*

**(88) Date of publication of the international search report:**  
15 November 2012

INTERNATIONAL SEARCH REPORT

International application No  
PCT/US2012/027837

A. CLASSIFICATION OF SUBJECT MATTER  
INV. H01F30/14 H02M5/14  
ADD.  
According to International Patent Classification (IPC) or to both national classification and IPC

B. FIELDS SEARCHED  
Minimum documentation searched (classification system followed by classification symbols)  
H01F H02M

Documentation searched other than minimum documentation to the extent that such documents are included in the fields searched

Electronic data base consulted during the international search (name of data base and, where practicable, search terms used)  
EPO-Internal, WPI Data

C. DOCUMENTS CONSIDERED TO BE RELEVANT

Category*	Citation of document, with indication, where appropriate, of the relevant passages	Relevant to claim No.
X	US 2009/058584 A1 (RASTOGI MUKUL [US] ET AL) 5 March 2009 (2009-03-05)  figures 5,11 paragraphs [0035], [0003], [0028], [0057] - [0059]  -----	1-7, 9-11, 13-15,19
A	US 6 335 872 B1 (ZHOU DONGSHENG [US] ET AL) 1 January 2002 (2002-01-01) the whole document  -----	1-20
A,P	WO 2011/094743 A1 (HOWARD IND INC [US]; OWEN D W [US]) 4 August 2011 (2011-08-04) the whole document  -----	1-20

Further documents are listed in the continuation of Box C.

See patent family annex.

\* Special categories of cited documents :

- "A" document defining the general state of the art which is not considered to be of particular relevance
- "E" earlier application or patent but published on or after the international filing date
- "L" document which may throw doubts on priority claim(s) or which is cited to establish the publication date of another citation or other special reason (as specified)
- "O" document referring to an oral disclosure, use, exhibition or other means
- "P" document published prior to the international filing date but later than the priority date claimed

- "T" later document published after the international filing date or priority date and not in conflict with the application but cited to understand the principle or theory underlying the invention
- "X" document of particular relevance; the claimed invention cannot be considered novel or cannot be considered to involve an inventive step when the document is taken alone
- "Y" document of particular relevance; the claimed invention cannot be considered to involve an inventive step when the document is combined with one or more other such documents, such combination being obvious to a person skilled in the art
- "&" document member of the same patent family

Date of the actual completion of the international search  3 September 2012	Date of mailing of the international search report  14/09/2012
---	--

Name and mailing address of the ISA/ European Patent Office, P.B. 5818 Patentlaan 2 NL - 2280 HV Rijswijk Tel. (+31-70) 340-2040, Fax: (+31-70) 340-3016	Authorized officer  Weisser, Wolfgang
--	---

# INTERNATIONAL SEARCH REPORT

Information on patent family members

International application No PCT/US2012/027837
---

Patent document cited in search report	Publication date	Patent family member(s)	Publication date
US 2009058584	A1	05-03-2009	CA 2698101 A1 05-03-2009
			CN 101802940 A 11-08-2010
			EP 2181452 A1 05-05-2010
			JP 2010538472 A 09-12-2010
			US 2009058584 A1 05-03-2009
			WO 2009029789 A1 05-03-2009
-----			
US 6335872	B1	01-01-2002	NONE
-----			
WO 2011094743	A1	04-08-2011	US 2011187484 A1 04-08-2011
			WO 2011094743 A1 04-08-2011
-----			