



US00D735846S

(12) **United States Design Patent**
McCoy et al.

(10) **Patent No.:** **US D735,846 S**

(45) **Date of Patent:** **** Aug. 4, 2015**

(54) **INTEGRATED MASK AND HOOD**

(75) Inventors: **Theresa M. McCoy**, Cumming, GA (US); **Damon R. Larkin**, Alpharetta, GA (US); **Tong J. Kim**, Roswell, GA (US); **Herb F. Velazquez**, Alpharetta, GA (US); **Jaime-Ramon Cassar**, Reigate (GB)

(73) Assignee: **Kimberly-Clark Worldwide, Inc.**, Neenah, WI (US)

(**) Term: **14 Years**

(21) Appl. No.: **29/424,492**

(22) Filed: **Jun. 13, 2012**

(51) **LOC (10) Cl.** **29-02**

(52) **U.S. Cl.**

USPC **D24/110.6**

(58) **Field of Classification Search**

USPC D24/110.1–110.6; D29/1; 128/201.13–201.28, 205.24–205.25, 128/206.14–206.24, 207.12; 2/421–424

See application file for complete search history.

(56) **References Cited**

U.S. PATENT DOCUMENTS

3,839,738	A *	10/1974	Coslett	2/421
3,885,558	A	5/1975	Belkin		
3,943,575	A	3/1976	Bolker		
4,032,991	A	7/1977	Vandeweghe		
D261,073	S *	10/1981	Spruill et al.	D24/110.3
4,411,023	A *	10/1983	Pinson	2/7
4,589,408	A	5/1986	Singer		
D303,166	S *	8/1989	Stackhouse et al.	D29/110
4,870,959	A *	10/1989	Reisman et al.	128/201.25
4,961,232	A	10/1990	Hulsey		
4,998,534	A *	3/1991	Claxton et al.	600/483
5,027,810	A *	7/1991	Patureau et al.	128/206.24
5,040,530	A *	8/1991	Bauer et al.	128/206.12

5,067,174	A	11/1991	Ritchey et al.		
5,103,815	A *	4/1992	Siegel et al.	128/205.23
5,140,980	A *	8/1992	Haughey et al.	128/201.25
5,253,642	A	10/1993	Stackhouse et al.		
5,269,024	A	12/1993	Wyatt		

(Continued)

FOREIGN PATENT DOCUMENTS

GB	2468160	A	9/2010
JP	2003049312	A	2/2003
JP	2008237358	A	10/2008

Primary Examiner — Richard E Chilcot

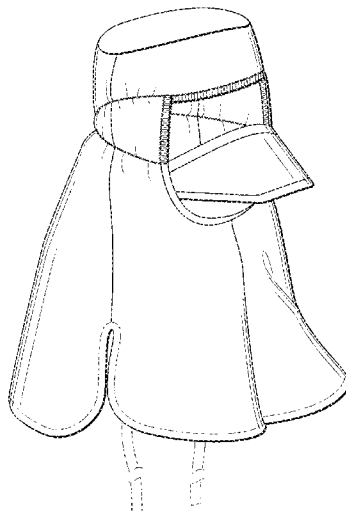
(57) **CLAIM**

We claim the ornamental design for an integrated mask and hood, as shown and described.

DESCRIPTION

FIG. 1 is a perspective view showing a first embodiment of our new design of an integrated mask and hood; FIG. 2 is a front view of the integrated mask and hood; FIG. 3 is a right side view of the integrated mask and hood; FIG. 4 is a left side view of the integrated mask and hood; FIG. 5 is a top view of the integrated mask and hood; FIG. 6 is a bottom view of the integrated mask and hood; FIG. 7 is a front view of another embodiment of the integrated mask and hood; FIG. 8 is a right side view of the integrated mask and hood shown in FIG. 7; FIG. 9 is a left side view of the integrated mask and hood shown in FIG. 7; FIG. 10 is a top view of the integrated mask and hood shown in FIG. 7; and, FIG. 11 is a rear view of the integrated mask and hood of the present invention. In the drawings, the broken lines shown in FIGS. 1-11 depict portions of the design that form no part of the claim.

1 Claim, 11 Drawing Sheets



(56)

References Cited

U.S. PATENT DOCUMENTS

D389,910 S * 1/1998 Brunson et al. D24/110.3
5,937,445 A 8/1999 Nicolo et al.
6,266,828 B1 * 7/2001 Corsini 2/424
D480,476 S * 10/2003 Martinson et al. D24/110.6
6,895,960 B2 * 5/2005 Fabin 128/201.23

D547,442 S * 7/2007 Hine et al. D24/110.3
7,251,841 B2 * 8/2007 Corsini 2/424
7,540,039 B2 6/2009 Reaux
7,603,724 B2 10/2009 Mickle
7,937,775 B2 * 5/2011 Manzella et al. 2/171.3
2005/0132459 A1 6/2005 Cheng
2009/0320835 A1 12/2009 Lin

* cited by examiner



FIG. 1

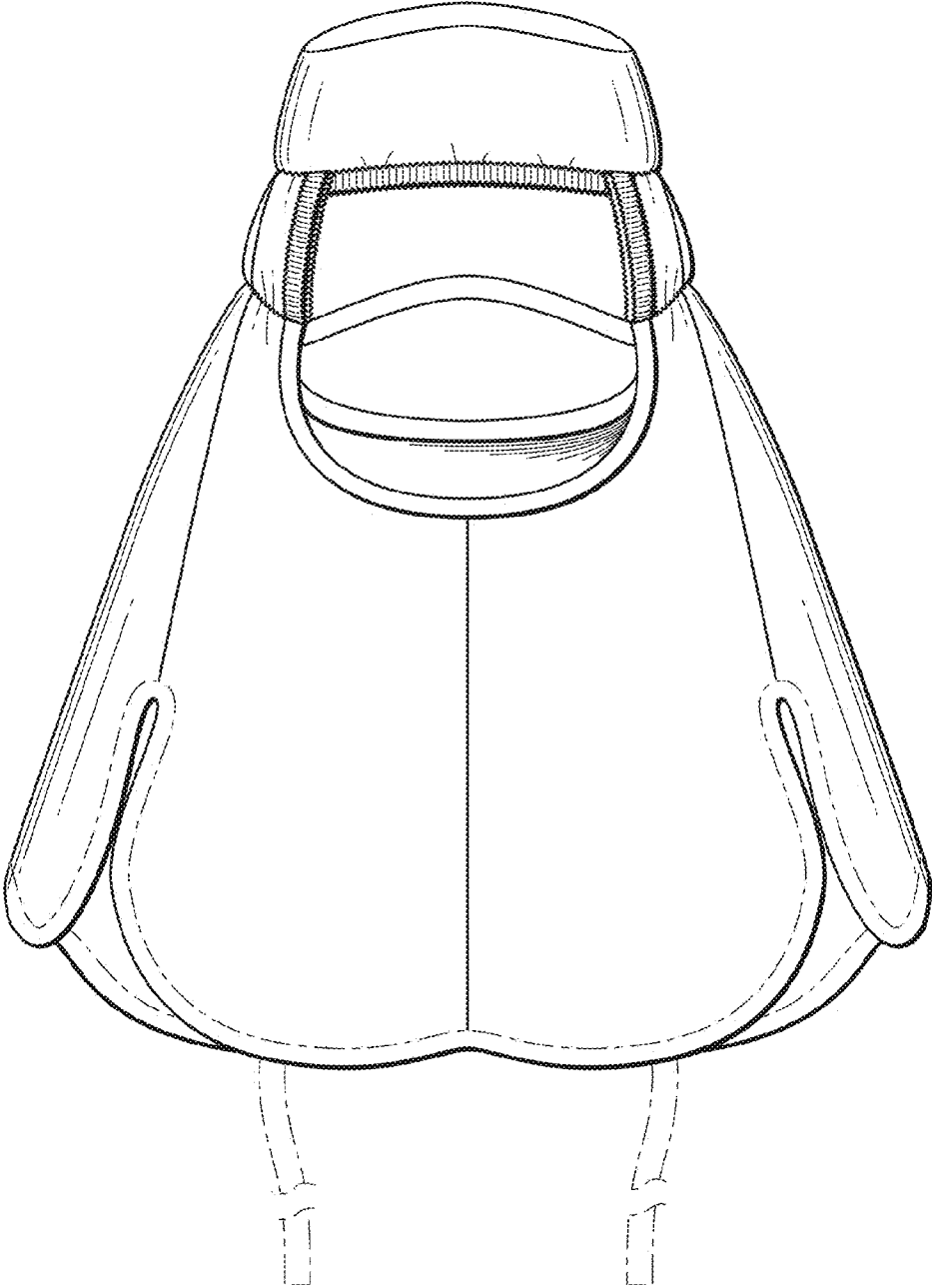


FIG. 2

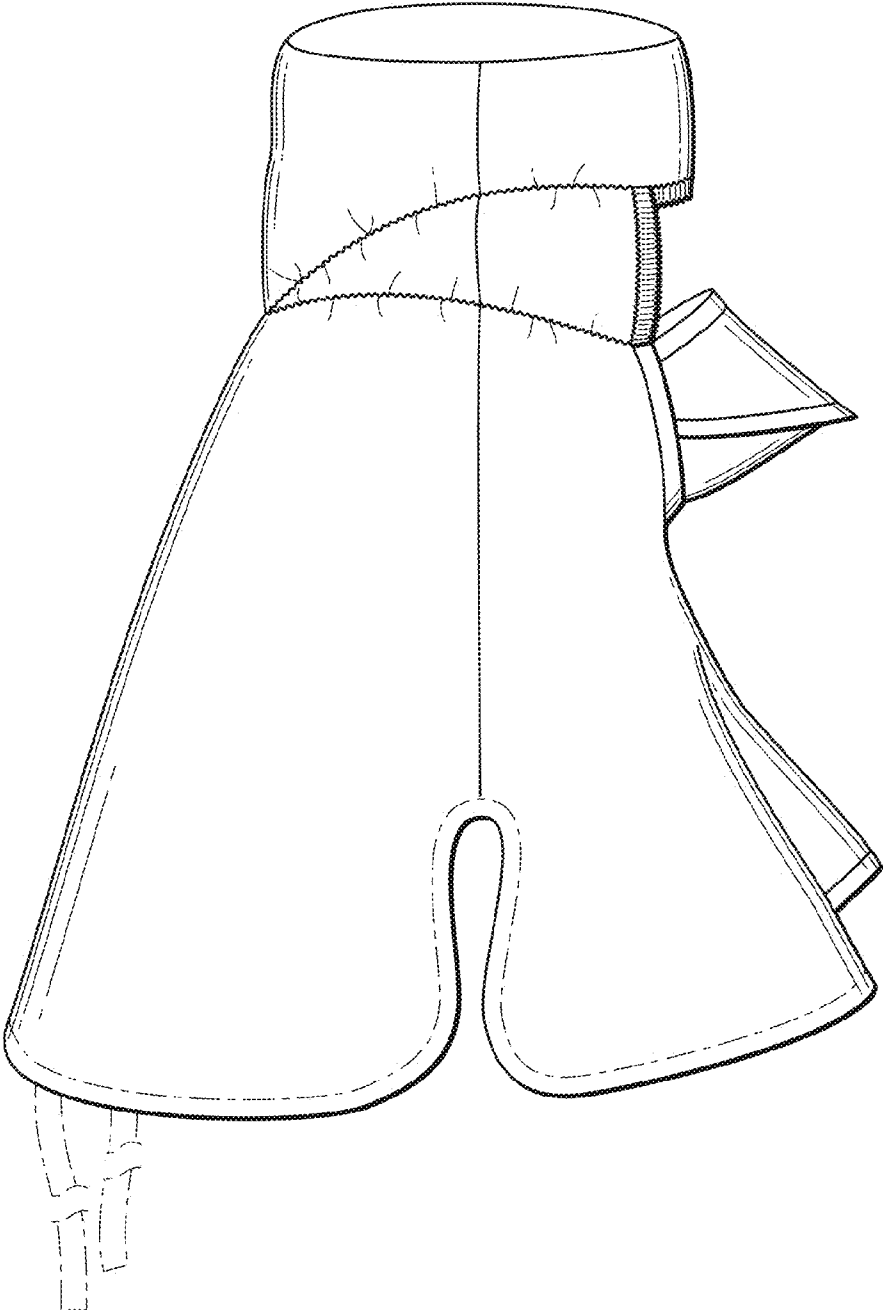


FIG. 3

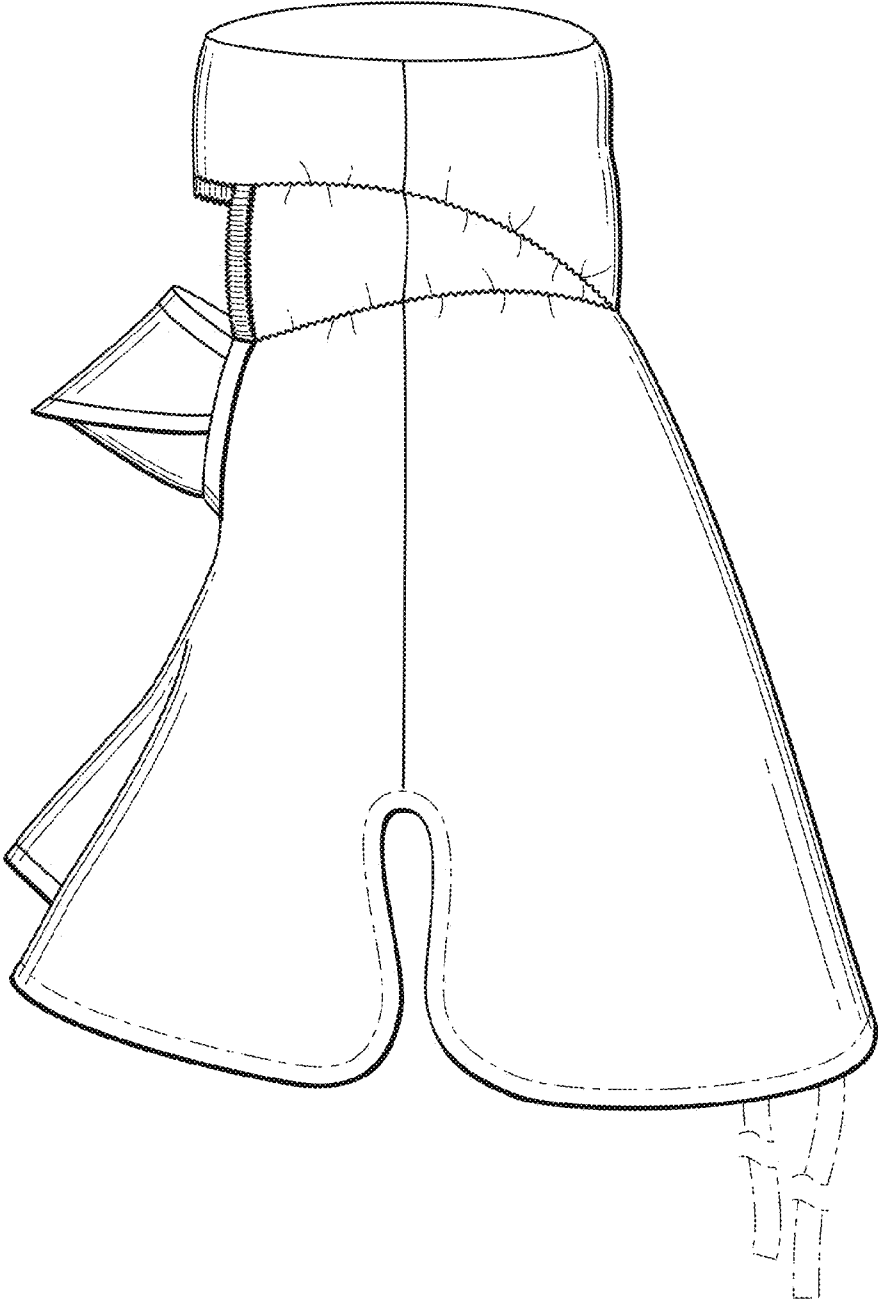


FIG. 4

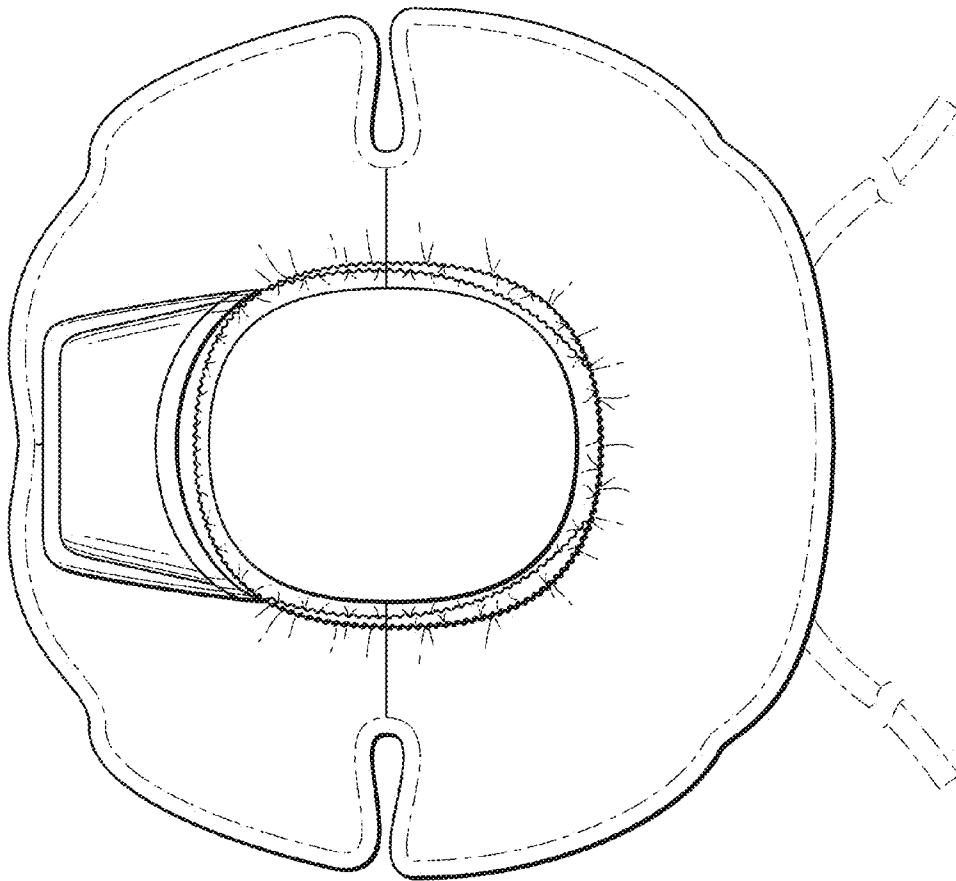


FIG. 5

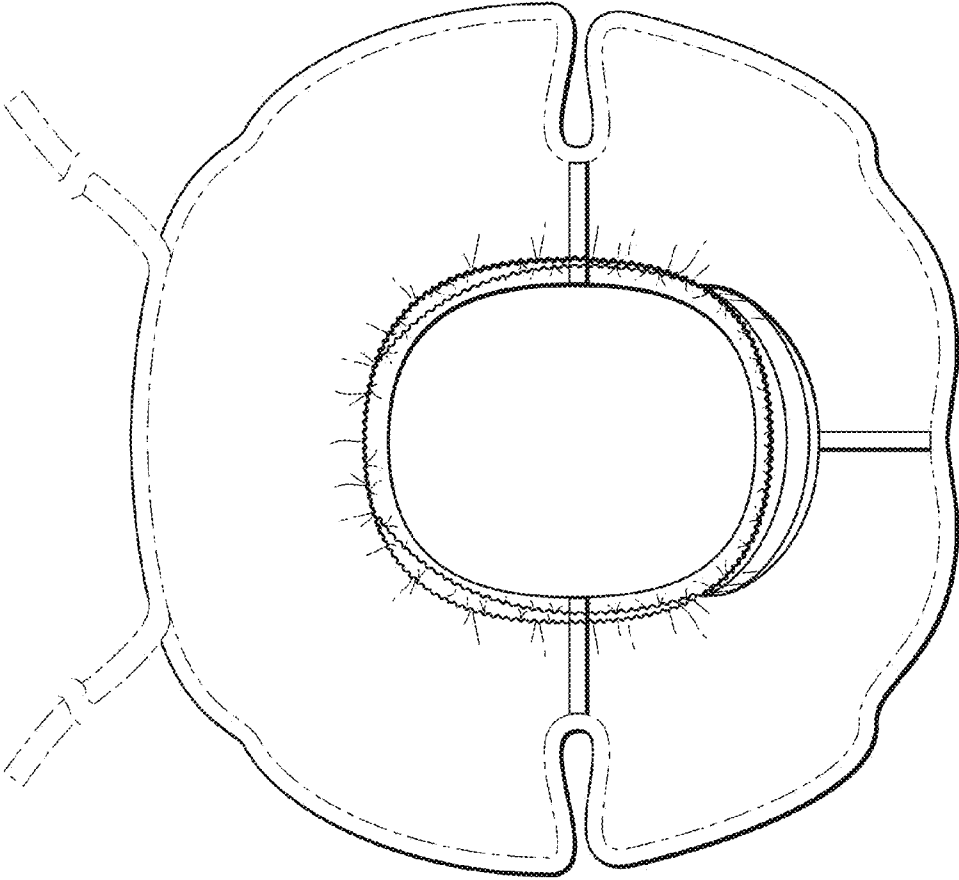


FIG. 6

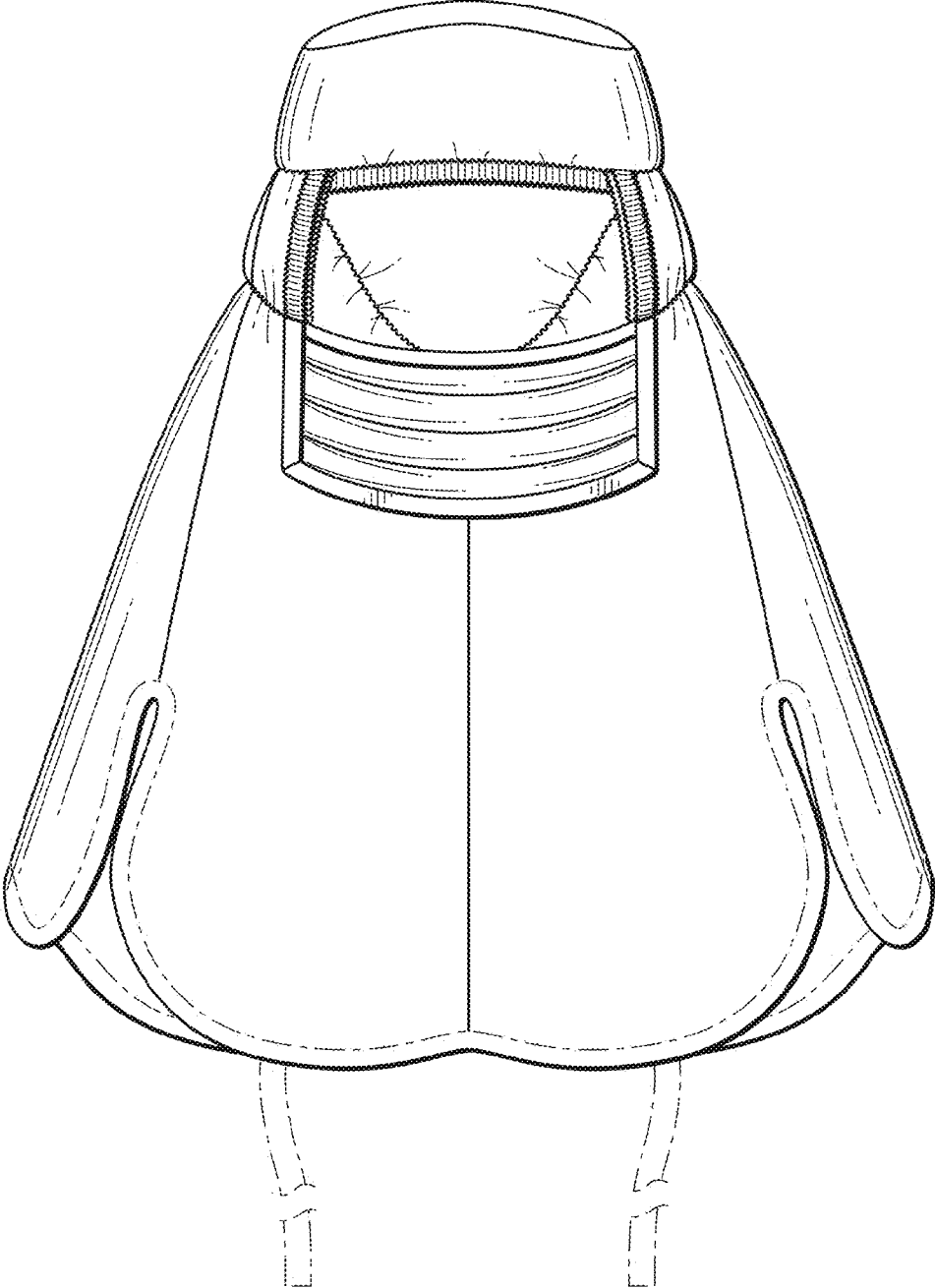


FIG. 7

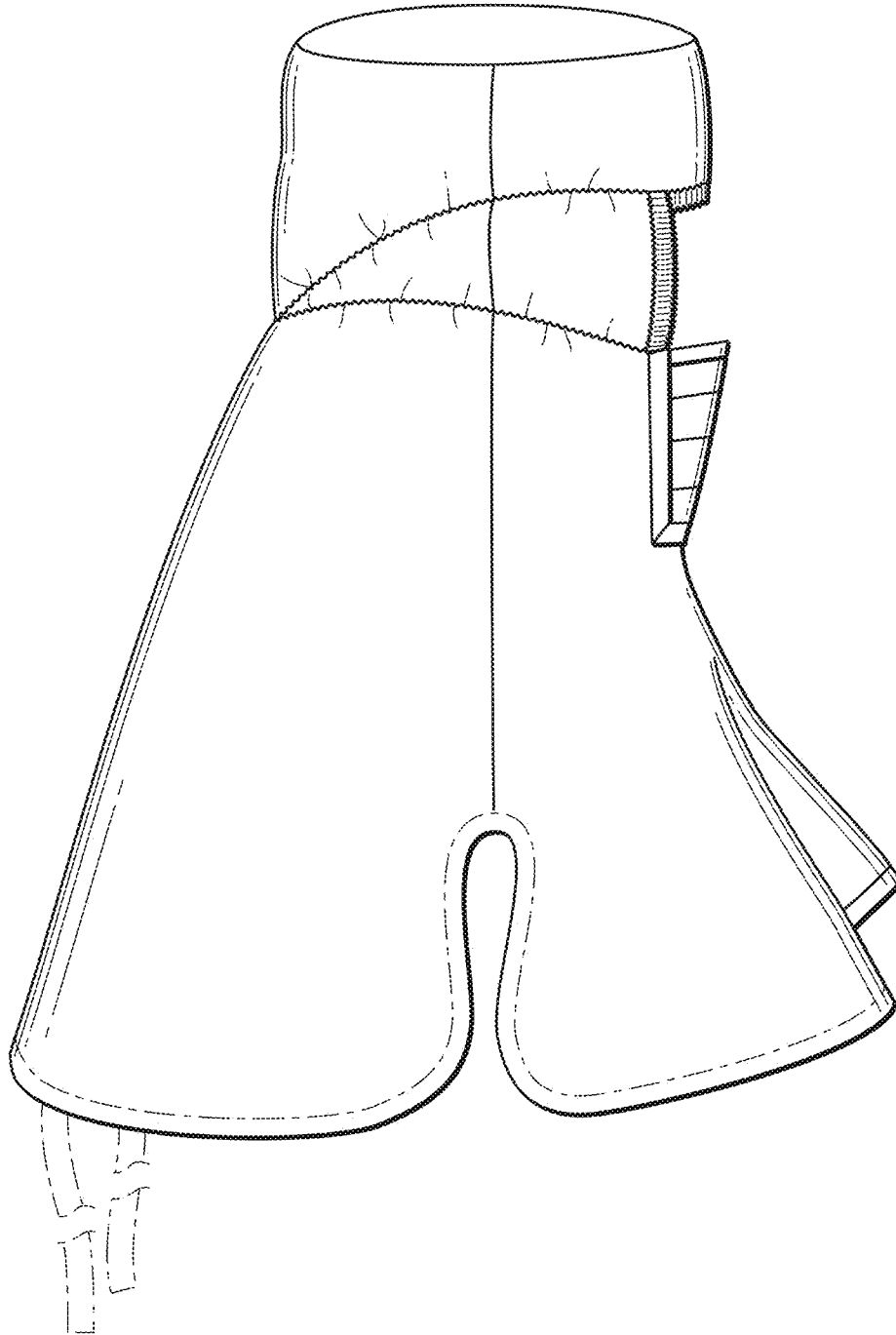


FIG. 8



FIG. 9

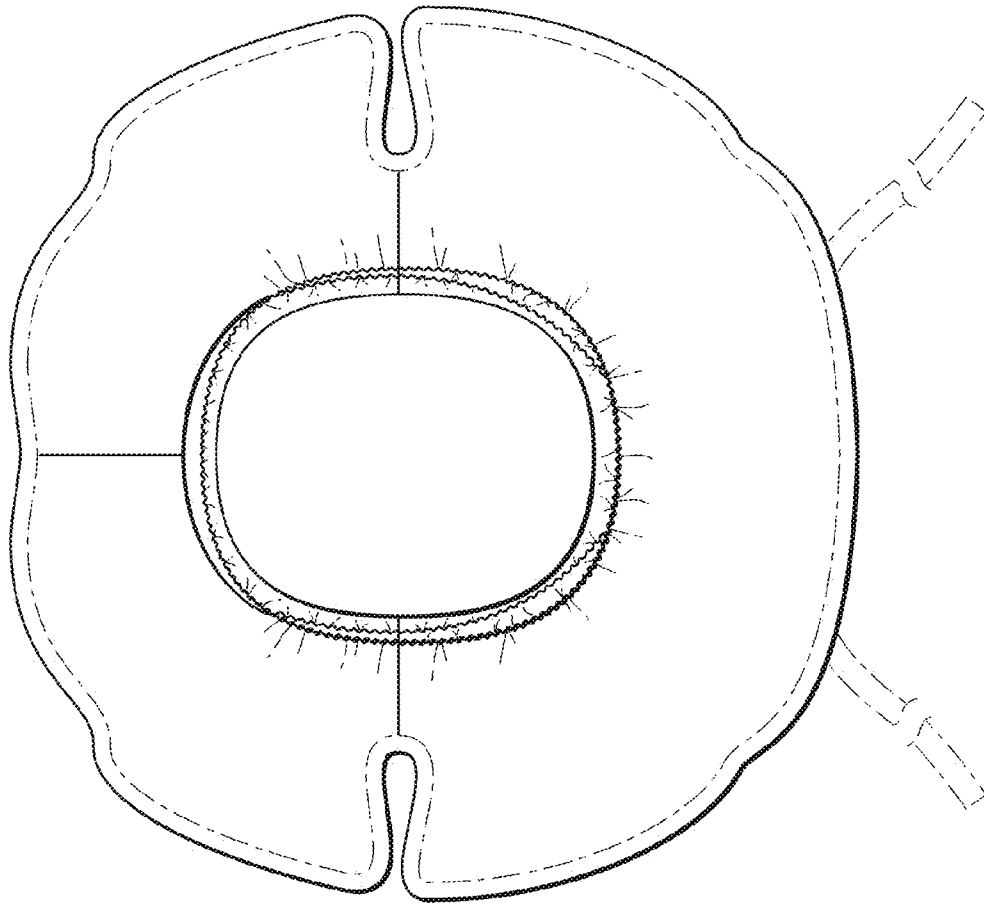


FIG. 10

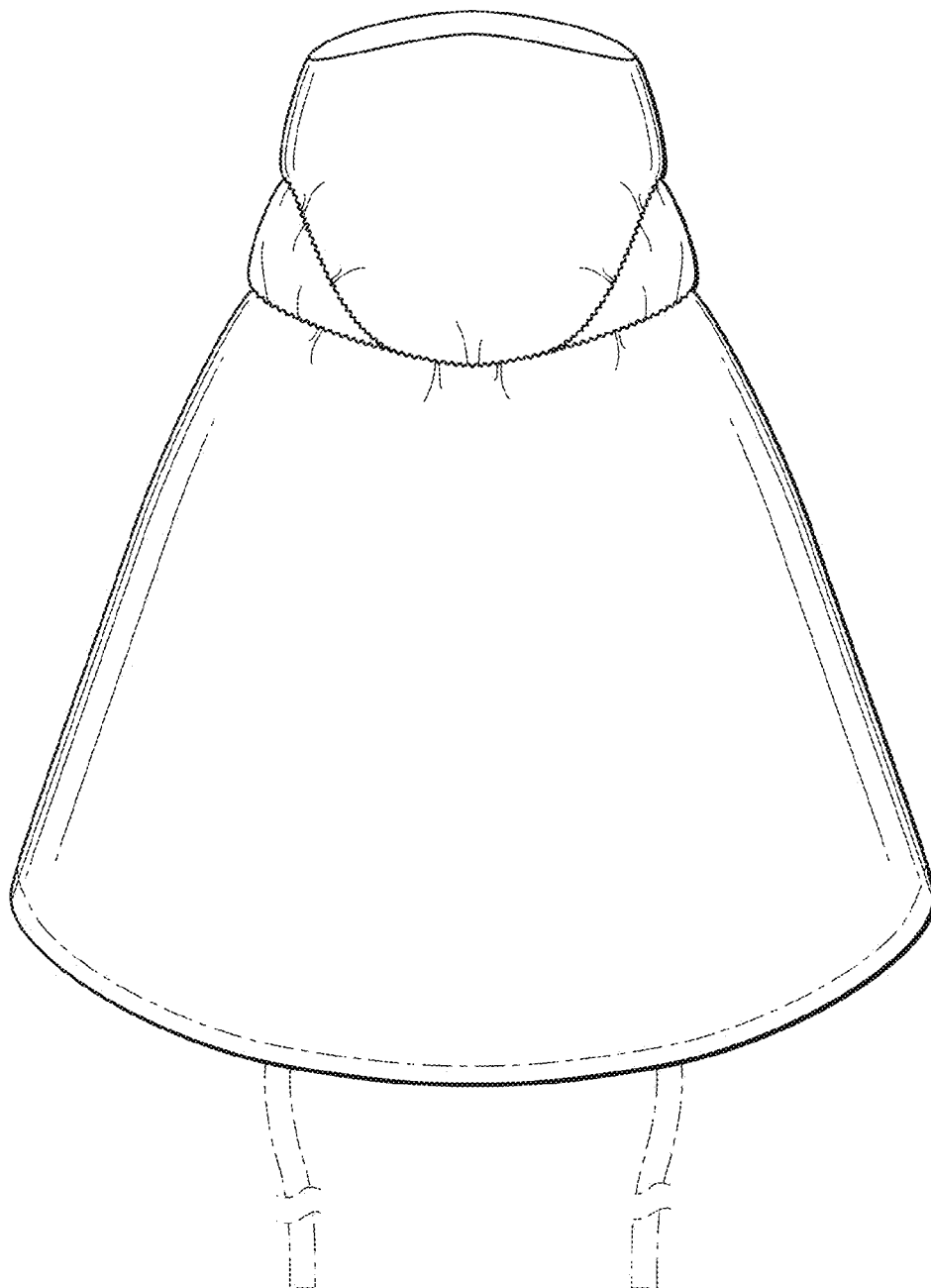


FIG. 11