

(19) World Intellectual Property Organization
International Bureau



(43) International Publication Date
13 August 2009 (13.08.2009)

(10) International Publication Number
WO 2009/100103 A3

(51) International Patent Classification:
H05K 1/14 (2006.01) *H05K 3/46* (2006.01)

(74) Agents: **FLORCZAK, Yen Tong**, et al.; 3M Center, Office of Intellectual Property Counsel, Post Office Box 33427, Saint Paul, Minnesota 55133-3427 (US).

(21) International Application Number:
PCT/US2009/033029

(81) Designated States (unless otherwise indicated, for every kind of national protection available): AE, AG, AL, AM, AO, AT, AU, AZ, BA, BB, BG, BH, BR, BW, BY, BZ, CA, CH, CN, CO, CR, CU, CZ, DE, DK, DM, DO, DZ, EC, EE, EG, ES, FI, GB, GD, GE, GH, GM, GT, HN, HR, HU, ID, IL, IN, IS, KE, KG, KM, KN, KP, KR, KZ, LA, LC, LK, LR, LS, LT, LU, LY, MA, MD, ME, MG, MK, MN, MW, MX, MY, MZ, NA, NG, NI, NO, NZ, OM, PG, PH, PL, PT, RO, RS, RU, SC, SD, SE, SG, SK, SL, SM, ST, SV, SY, TJ, TM, TN, TR, TT, TZ, UA, UG, US, UZ, VC, VN, ZA, ZM, ZW.

(22) International Filing Date:
4 February 2009 (04.02.2009)

(25) Filing Language: English

(26) Publication Language: English

(30) Priority Data:
2008-025438 5 February 2008 (05.02.2008) JP

(71) Applicant (for all designated States except US): **3M INNOVATIVE PROPERTIES COMPANY** [US/US]; 3M Center, Post Office Box 33427, Saint Paul, Minnesota 55133-3427 (US).

(84) Designated States (unless otherwise indicated, for every kind of regional protection available): ARIPO (BW, GH, GM, KE, LS, MW, MZ, NA, SD, SL, SZ, TZ, UG, ZM, ZW), Eurasian (AM, AZ, BY, KG, KZ, MD, RU, TJ, TM), European (AT, BE, BG, CH, CY, CZ, DE, DK, EE, ES, FI, FR, GB, GR, HR, HU, IE, IS, IT, LT, LU, LV, MC, MK, MT, NL, NO, PL, PT, RO, SE, SI, SK, TR),

(72) Inventor; and

(75) Inventor/Applicant (for US only): **YOSHIDA, Yasuhiro** [JP/JP]; 33-1, Tamagawadai 2-chome, Setagaya-ku, Tokyo 158-8583 (JP).

[Continued on next page]

(54) Title: METHOD OF CONNECTION OF FLEXIBLE PRINTED CIRCUIT BOARD AND ELECTRONIC DEVICE OBTAINED THEREBY

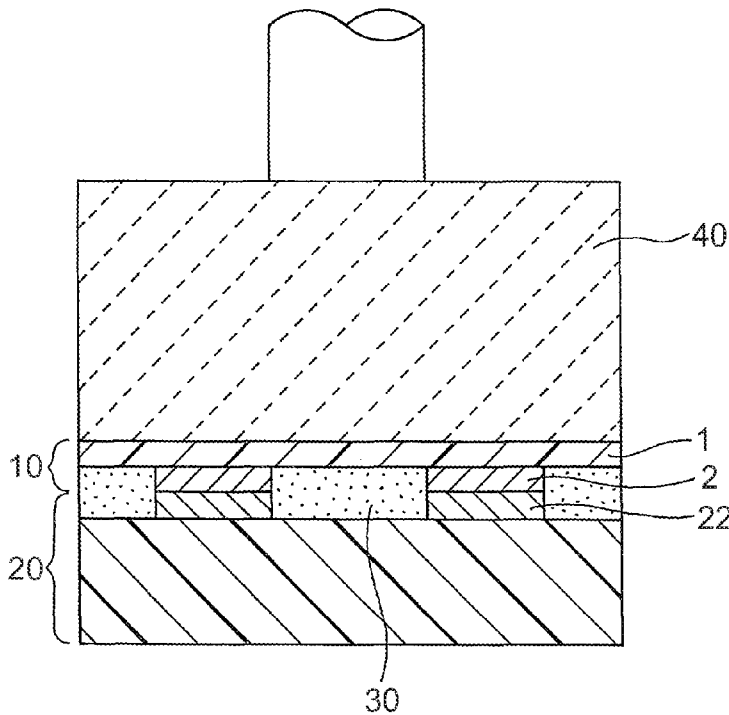


Fig. 8

(57) Abstract: An FPC and another circuit board having terminals parts where a plurality of conductive interconnects are arranged are prepared. An adhesive film is arranged between the terminal part of the FPC and the terminal part of the circuit board to form a stack. A rigid head having a pushing face on which a plurality of convex parts are formed is used to hot-press the stack from the FPC side to soften the adhesive film and locally expel the softened adhesive film at the locations pressed by the convex parts of the rigid head.

WO 2009/100103 A3



OAPI (BF, BJ, CF, CG, CI, CM, GA, GN, GQ, GW, ML,
MR, NE, SN, TD, TG).

— *before the expiration of the time limit for amending the
claims and to be republished in the event of receipt of
amendments (Rule 48.2(h))*

Published:

— *with international search report (Art. 21(3))*

(88) Date of publication of the international search report:

5 November 2009

A. CLASSIFICATION OF SUBJECT MATTER**H05K 1/14(2006.01)i, H05K 3/46(2006.01)i**

According to International Patent Classification (IPC) or to both national classification and IPC

B. FIELDS SEARCHED

Minimum documentation searched (classification system followed by classification symbols)

IPC: H05K

Documentation searched other than minimum documentation to the extent that such documents are included in the fields searched
KOREAN UTILITY MODELS AND APPLICATIONS FOR UTILITY MODELS SINCE 1975
JAPANESE UTILITY MODELS AND APPLICATIONS FOR UTILITY MODELS SINCE 1975

Electronic data base consulted during the international search (name of data base and, where practicable, search terms used)

eKOMPASS(KIPO internal), PAJ; flexible, adhesive, circuit board, connect, press

C. DOCUMENTS CONSIDERED TO BE RELEVANT

Category*	Citation of document, with indication, where appropriate, of the relevant passages	Relevant to claim No.
A	WO 2007-002099 A1 (3M INNOVATIVE PROPERTIES COMPANY) 4 January 2007 (2007-01-04) see the abstract, figures 7a~7c	1-7,13-15
A	JP 2004-319703 A (SHIN ETSU POLYMER CO., LTD.) 11 November 2004 (2004-11-11) see the abstract, figures 1-6	1-7,13-15
A	JP 08293656 A (KYOCERA CORP) 05 November 1996 (1996-11-05) see the abstract, figures 1-6	1-7,13-15
A	WO 2006-017037 A1 (3M INNOVATIVE PROPERTIES COMPANY) 16 February 2006 (2006-02-16) see the abstract, figures 7-10	1-7,13-15

 Further documents are listed in the continuation of Box C. See patent family annex.

* Special categories of cited documents:

"A" document defining the general state of the art which is not considered to be of particular relevance

"E" earlier application or patent but published on or after the international filing date

"L" document which may throw doubts on priority claim(s) or which is cited to establish the publication date of citation or other special reason (as specified)

"O" document referring to an oral disclosure, use, exhibition or other means

"P" document published prior to the international filing date but later than the priority date claimed

"T" later document published after the international filing date or priority date and not in conflict with the application but cited to understand the principle or theory underlying the invention

"X" document of particular relevance; the claimed invention cannot be considered novel or cannot be considered to involve an inventive step when the document is taken alone

"Y" document of particular relevance; the claimed invention cannot be considered to involve an inventive step when the document is combined with one or more other such documents, such combination being obvious to a person skilled in the art

"&" document member of the same patent family

Date of the actual completion of the international search

11 SEPTEMBER 2009 (11.09.2009)

Date of mailing of the international search report

11 SEPTEMBER 2009 (11.09.2009)

Name and mailing address of the ISA/KR

Korean Intellectual Property Office
Government Complex-Daejeon, 139 Seonsa-ro, Seo-gu, Daejeon 302-701, Republic of Korea

Facsimile No. 82-42-472-7140

Authorized officer

KIM, Jong Hee

Telephone No. 82-42-481-8500



Box No. II Observations where certain claims were found unsearchable (Continuation of item 2 of first sheet)

This international search report has not been established in respect of certain claims under Article 17(2)(a) for the following reasons:

1. Claims Nos.:
because they relate to subject matter not required to be searched by this Authority, namely:

2. Claims Nos.:
because they relate to parts of the international application that do not comply with the prescribed requirements to such an extent that no meaningful international search can be carried out, specifically:

3. Claims Nos.: 8-12
because they are dependent claims and are not drafted in accordance with the second and third sentences of Rule 6.4(a).

Box No. III Observations where unity of invention is lacking (Continuation of item 3 of first sheet)

This International Searching Authority found multiple inventions in this international application, as follows:

1. As all required additional search fees were timely paid by the applicant, this international search report covers all searchable claims.
2. As all searchable claims could be searched without effort justifying an additional fee, this Authority did not invite payment of any additional fee.
3. As only some of the required additional search fees were timely paid by the applicant, this international search report covers only those claims for which fees were paid, specifically claims Nos.:

4. No required additional search fees were timely paid by the applicant. Consequently, this international search report is restricted to the invention first mentioned in the claims; it is covered by claims Nos.:

Remark on Protest

- The additional search fees were accompanied by the applicant's protest and, where applicable, the payment of a protest fee.
- The additional search fees were accompanied by the applicant's protest but the applicable protest fee was not paid within the time limit specified in the invitation.
- No protest accompanied the payment of additional search fees.

INTERNATIONAL SEARCH REPORT

Information on patent family members

International application No.

PCT/US2009/033029

Patent document cited in search report	Publication date	Patent family member(s)	Publication date
WO 2007-002099 A1	04.01.2007	CN 101209005 A	25.06.2008
		CN 101209005 A0	25.06.2008
		EP 01894455 A1	05.03.2008
		JP 2007-005640 A	11.01.2007
		KR 10-2008-0017388 A	26.02.2008
		US 2008-0205019 A1	28.08.2008
=====			
JP 2004-319703 A	11.11.2004	None	
=====			
JP 08293656 A	05.11.1996	None	
=====			
WO 2006-017037 A1	16.02.2006	JP 2006-024751 A	26.01.2006
		KR 10-2007-0033016 A	23.03.2007
		US 2007-0224397 A1	27.09.2007
		EP 01785017 A1	16.05.2007
=====			