



US00D770826S

(12) **United States Design Patent** (10) **Patent No.:** **US D770,826 S**
Burden (45) **Date of Patent:** **** Nov. 8, 2016**

(54) **FOOTBOARD**

(71) Applicant: **Ian James Burden**, Sovereign Islands (AU)

(72) Inventor: **Ian James Burden**, Sovereign Islands (AU)

(**) Term: **14 Years**

(21) Appl. No.: **29/525,863**

(22) Filed: **May 4, 2015**

(51) **LOC (10) Cl.** **06-06**

(52) **U.S. Cl.**

USPC **D6/718.22**

(58) **Field of Classification Search**

USPC D6/382-384, 391-395, 718, 718.13, D6/718.19, 718.2, 718.21, 718.22, 718.23, D6/718.3

CPC A47C 17/00; A47C 19/00; A47C 19/02; A47C 19/022; A47D 7/00; A47D 7/01; A47D 11/005

See application file for complete search history.

(56) **References Cited**

U.S. PATENT DOCUMENTS

2,406,496 A * 8/1946 August A63H 3/52 217/12 R
D404,217 S * 1/1999 Zaidman D6/393

D528,331 S * 9/2006 Mohundro D6/718.22
D564,778 S * 3/2008 Juneau D6/393
D623,432 S * 9/2010 Porter D6/383

* cited by examiner

Primary Examiner — Cathron Brooks

(74) *Attorney, Agent, or Firm* — Dykema Gossett PLLC

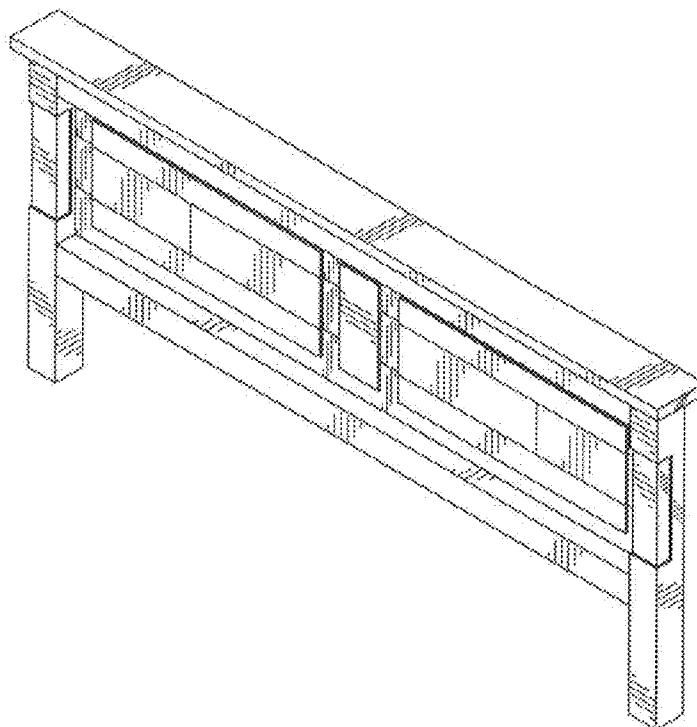
(57) **CLAIM**

The ornamental design for a footboard, as shown and described.

DESCRIPTION

FIG. 1 is an elevational rear view of a footboard showing my new and ornamental design, FIG. 2 is a bottom plan view thereof, FIG. 3 is a top plan view thereof, FIG. 4 is an elevational front view thereof, FIG. 5 is an elevational left side view thereof, FIG. 6 is an elevational right side view thereof, FIG. 7 is a first perspective rear view thereof, FIG. 8 is a perspective front view thereof; and, FIG. 9 is a second perspective rear view thereof.

1 Claim, 7 Drawing Sheets



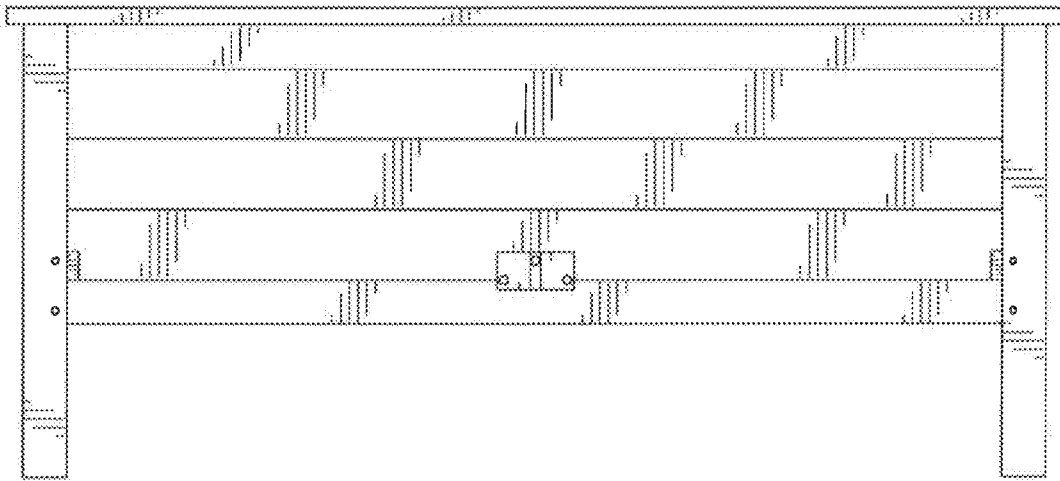


FIG. 1

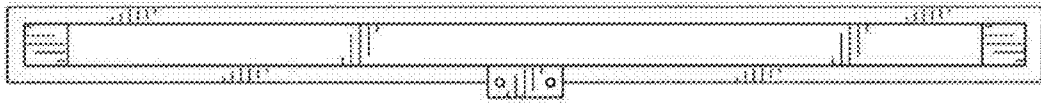


FIG. 2



FIG. 3

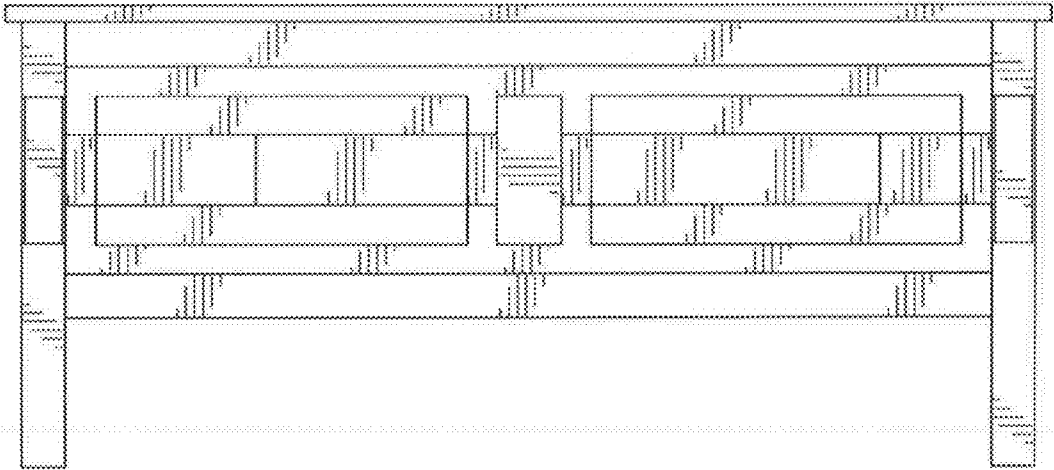


FIG. 4

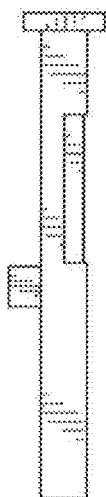


FIG. 5



FIG. 6

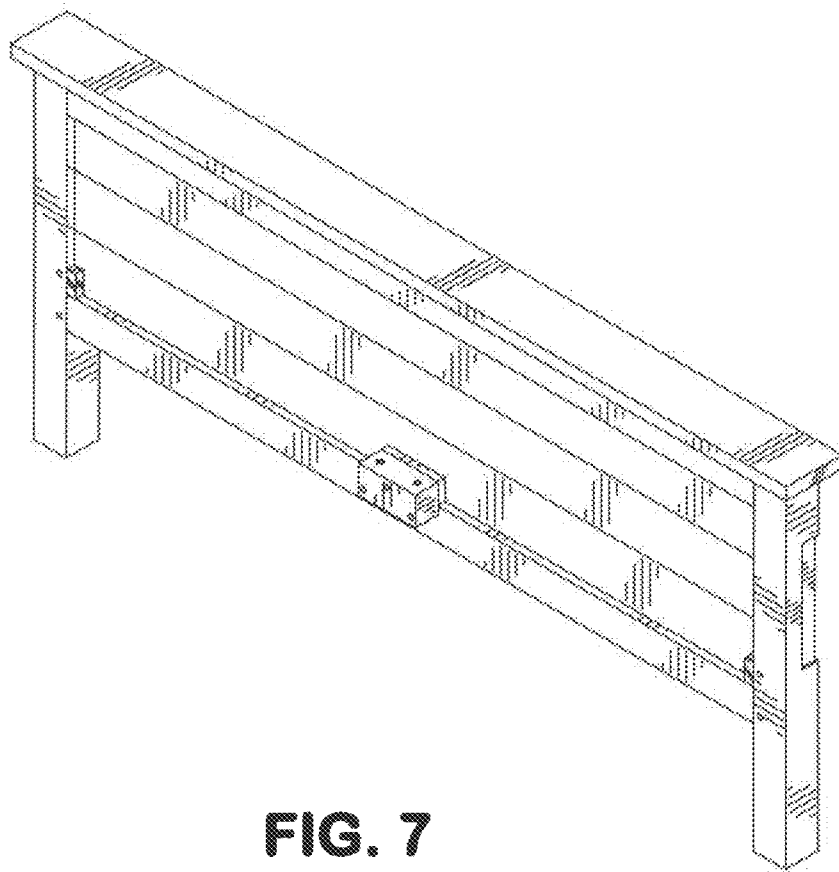


FIG. 7

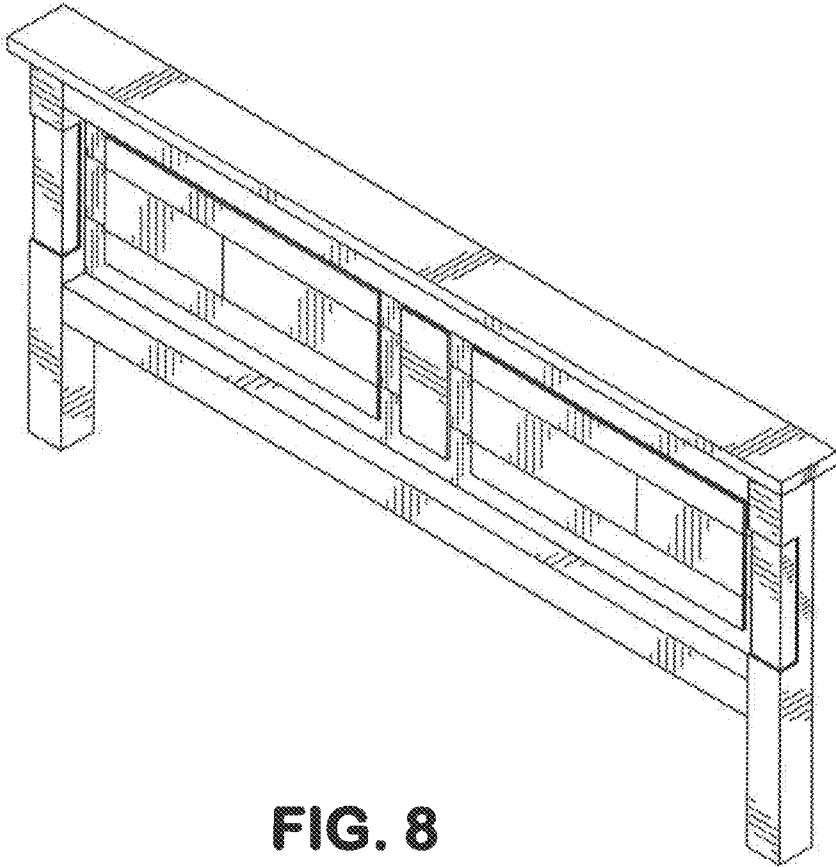


FIG. 8

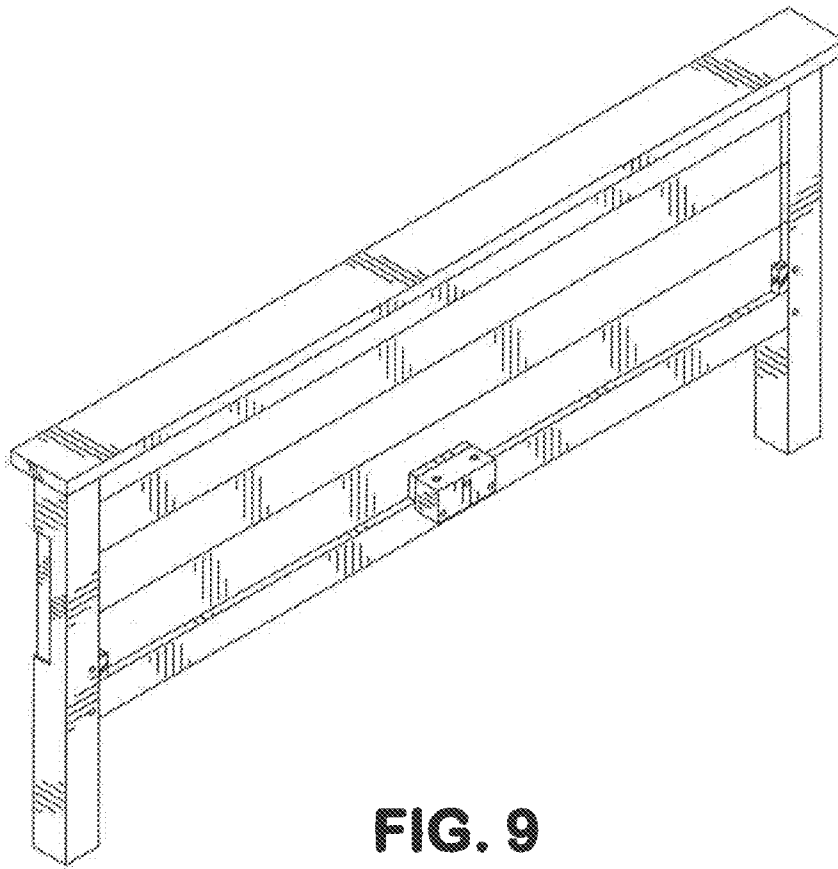


FIG. 9