



(12) **United States Design Patent**  
**Borkholder**

(10) **Patent No.:** **US D797,008 S**  
(45) **Date of Patent:** **\*\* Sep. 12, 2017**

- (54) **STACKED SQUARE TUBE RECEIVER HITCH**
- (71) Applicant: **Carl Borkholder**, Bremen, IN (US)
- (72) Inventor: **Carl Borkholder**, Bremen, IN (US)
- (\*\*) Term: **15 Years**
- (21) Appl. No.: **29/531,498**
- (22) Filed: **Jun. 26, 2015**
- (51) **LOC (10) Cl.** ..... **12-16**
- (52) **U.S. Cl.**  
USPC ..... **D12/162**
- (58) **Field of Classification Search**  
USPC ..... D12/162, 159, 160, 161  
CPC ..... B60D 1/248; B60R 9/06; B66C 23/44  
See application file for complete search history.

visited Nov. 21, 2016]. Available from Internet, <URL: <http://www.hardworkingtrucks.com/gh-524-ballpintle-hitch-kit/>>.\*  
GenY 324 Drop Pintle Hitch Combo posted on Amazon.com, review date Mar. 2014, © 1996-2016 Amazon.com, [online], [site visited Dec. 19, 2016]. Available from Internet, <URL: <https://www.amazon.com/Pintle-Hitch-pintle-adjustable-Receiver/dp/B00EV17J44>>.\*

\* cited by examiner

*Primary Examiner* — Caron D Veynar  
*Assistant Examiner* — Laura Yu  
(74) *Attorney, Agent, or Firm* — Botkin & Hall, LLP

(56) **References Cited**

U.S. PATENT DOCUMENTS

D508,221	S *	8/2005	Rebick	.....	D12/162
D629,338	S *	12/2010	Ceccarelli	.....	D12/162
D682,751	S *	5/2013	Borkholder	.....	D12/162
D697,838	S *	1/2014	Borkholder	.....	D12/162
D727,803	S *	4/2015	Borkholder	.....	D12/162
9,017,002	B1 *	4/2015	Joynt	.....	B60R 9/06 414/462
9,199,520	B2 *	12/2015	Weipert	.....	B60D 1/07
9,333,822	B1 *	5/2016	LaFave	.....	B60R 9/10
9,387,739	B2 *	7/2016	Babuska	.....	B60D 1/54
9,505,281	B1 *	11/2016	Borkholder	.....	B60D 1/248
2008/0122199	A1 *	5/2008	Cearns	.....	B60D 1/52 280/490.1
2010/0294819	A1 *	11/2010	Spera	.....	B60R 9/06 224/519
2016/0288726	A1 *	10/2016	Endrasik	.....	B60R 9/06

OTHER PUBLICATIONS

GH 524 Ball/Pintle Hitch Kit posted at Hardworking Truck, posted date Feb. 3, 2014, © 2016 HardWorking Trucks, [online], [site

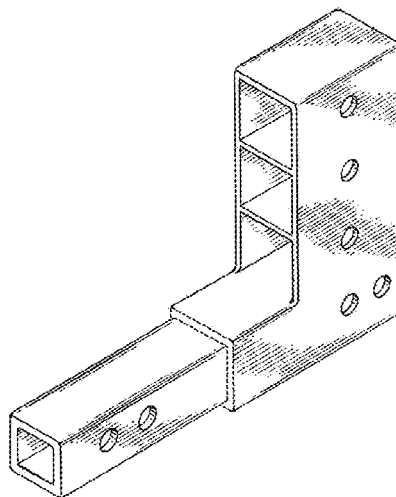
(57) **CLAIM**

The ornamental design for a stacked square tube receiver hitch, as shown and described.

**DESCRIPTION**

FIG. 1 is a perspective view of the stacked square tube receiver hitch;  
FIG. 2 is a top view of the stacked square tube receiver hitch of FIG. 1;  
FIG. 3 is a bottom view of the stacked square tube receiver hitch of FIG. 1;  
FIG. 4 is a back view of the stacked square tube receiver hitch of FIG. 1;  
FIG. 5 is a front view of the stacked square tube receiver hitch of FIG. 1;  
FIG. 6 is a left side view of the stacked square tube receiver hitch of FIG. 1; and,  
FIG. 7 is a right side view of the stacked square tube receiver hitch of FIG. 1.  
“The portions of the stacked square tube receiver hitch shown in hidden lines are provided to show context and form no part of the claimed invention.”

**1 Claim, 3 Drawing Sheets**



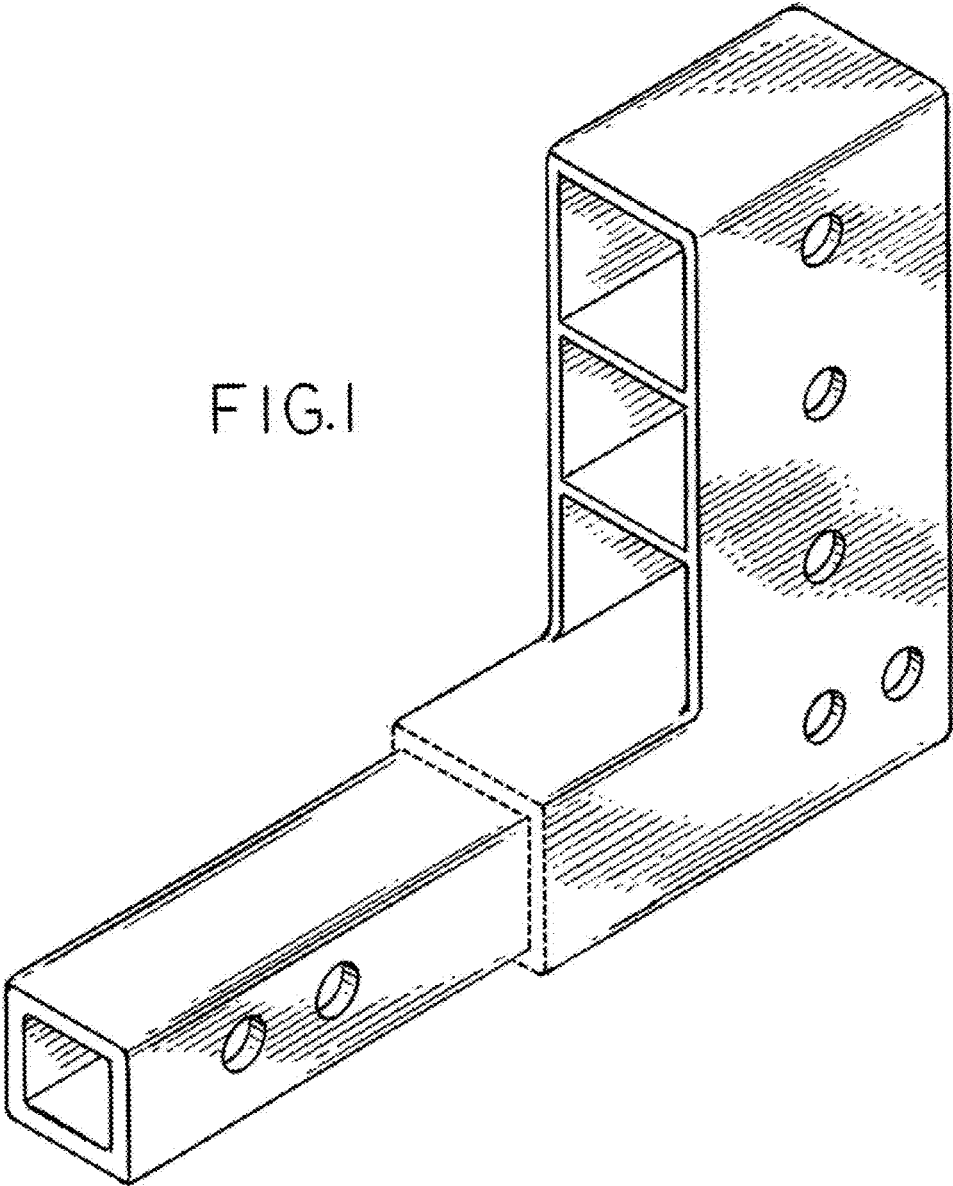


FIG. 1



FIG. 2

FIG. 3



FIG. 4

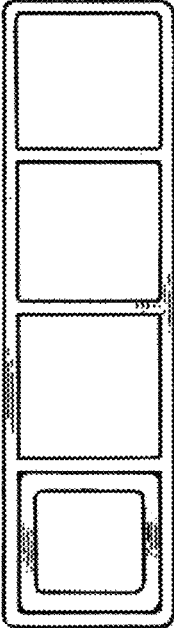


FIG. 5

