



US00D788965S

(12) **United States Design Patent**
Roshak et al.

(10) **Patent No.:** **US D788,965 S**

(45) **Date of Patent:** **** Jun. 6, 2017**

(54) **MOUNTABLE LIGHT**

(57) **CLAIM**

(71) Applicant: **STREAMLIGHT, INC.**, Eagleville, PA (US)

The ornamental design for a mountable light, as shown and described.

(72) Inventors: **Gregory A. Roshak**, Norristown, PA (US); **Cleatis A. Eichelberger**, East Norriton, PA (US)

DESCRIPTION

(73) Assignee: **Streamlight, Inc.**, Eagleville, PA (US)

FIG. 1 is a perspective view of an ornamental design for a mountable light;

(**) Term: **15 Years**

FIG. 2 is a second perspective view thereof from an opposite end;

(21) Appl. No.: **29/551,557**

FIG. 3 side view of a first side thereof;

(22) Filed: **Jan. 14, 2016**

FIG. 4 is a side view of a second side thereof;

(51) **LOC (10) Cl.** **26-03**

FIG. 5 is a side view of a third side thereof;

(52) **U.S. Cl.**

FIG. 6 is a side view of a fourth side thereof;

USPC **D26/63**

FIG. 7 is an end view of a first end thereof;

(58) **Field of Classification Search**

USPC D26/37-51, 56-60, 67

FIG. 8 is an end view of a second end thereof; and

(Continued)

FIG. 9 is a perspective view thereof as in FIG. 2 and including an environment of a remote switch connected to one end of the mountable light by a cable.

(56) **References Cited**

U.S. PATENT DOCUMENTS

D481,816 S 11/2003 Sharrah et al.
D521,170 S 5/2006 Craft et al.

(Continued)

FIG. 10 is a perspective view of a second embodiment of the ornamental design for a mountable light;

FIG. 11 is a second perspective view thereof from an opposite end;

FIG. 12 side view of a first side thereof;

FIG. 13 is a side view of a second side thereof;

FIG. 14 is a side view of a third side thereof;

FIG. 15 is a side view of a fourth side thereof;

FIG. 16 is an end view of a first end thereof;

FIG. 17 is an end view of a second end thereof; and,

FIG. 18 is a perspective view thereof as in FIG. 11 and including the environment of a remote switch connected to one end of the mountable light by a cable.

OTHER PUBLICATIONS

Streamlight, Inc., "ProTac—ProTac HL 3", © 2016, 1 page, <http://www.streamlight.com/en-us/product/product.html?pid=301>.

(Continued)

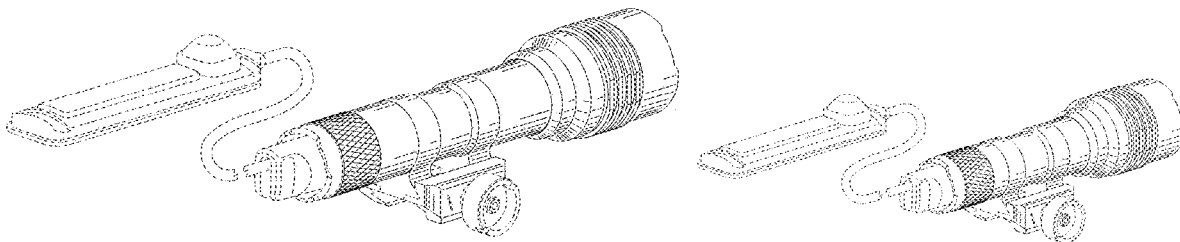
Broken lines (dashed lines) in the illustrations of the DRAWING indicate unclaimed parts of the article and/or unclaimed environment that form no part of the design illustrated and claimed herein, and are not part of the claimed design or of a specified embodiment thereof.

A boundary in the environment indicated by broken lines (dashed lines) does not form part of the claimed design, and any dimension and/or character of the environment between the boundary lines is not part of the claimed design.

Primary Examiner — Brian N Vinson

(74) *Attorney, Agent, or Firm* — Clement A. Berard, Esq.;
Dann, Dorfman, Herrell & Skillman, PC

1 Claim, 10 Drawing Sheets



- (58) **Field of Classification Search**
 CPC ... F21L 4/00; F21L 4/022; F21L 4/025; F21L 4/027; F21L 7/00; F21L 19/00; F21V 21/084; F21V 21/0085; F21W 2111/10
 See application file for complete search history.

OTHER PUBLICATIONS

(56) **References Cited**

U.S. PATENT DOCUMENTS

D521,666 S	5/2006	Chean	
D521,667 S	5/2006	Chean	
D527,476 S	8/2006	Craft	
D530,438 S	10/2006	Maglica	
D531,746 S	11/2006	Zhu	
D532,138 S	11/2006	Wang et al.	
D532,543 S	11/2006	Julius et al.	
D541,454 S	4/2007	Galey	
D548,863 S	8/2007	Shiu et al.	
D549,369 S	8/2007	DeBrunner	
D553,282 S	10/2007	Zhu	
D557,838 S	12/2007	Shiu	
D557,840 S	12/2007	Shiu	
D563,022 S *	2/2008	Hetfield	D26/72
D564,116 S	3/2008	Linardos	
D565,770 S	4/2008	Shiu	
D566,309 S	4/2008	Kornfeld et al.	
D568,515 S	5/2008	Liu	
D572,395 S	7/2008	Guelzow et al.	
D574,982 S	8/2008	Lau	
D576,757 S	9/2008	Hesse et al.	
D577,845 S	9/2008	Shiu	
D578,236 S	10/2008	Dalton	
D586,025 S	2/2009	Bonis	
D586,489 S	2/2009	Shiu	
D595,440 S	6/2009	Rivera et al.	
D603,988 S	11/2009	Sharrah	
D603,989 S	11/2009	Gardner et al.	
D612,970 S *	3/2010	Sharrah	D26/60
D622,428 S	8/2010	Crawford et al.	
D629,542 S	12/2010	Robinson	
D629,544 S	12/2010	Deguglimo et al.	
D629,940 S	12/2010	Osterhout	
D643,561 S	8/2011	Maglica	
D647,232 S	10/2011	Liu	
D647,654 S	10/2011	Li	
D655,027 S	2/2012	Miltz et al.	
D668,806 S	10/2012	Chapman et al.	
D673,709 S *	1/2013	Sharrah	D26/60
D674,943 S	1/2013	Sheikh et al.	
D675,358 S	1/2013	Brands et al.	
D678,562 S *	3/2013	Chan	D26/28
D683,877 S	6/2013	Brands et al.	
D685,940 S	7/2013	Lee	
D686,768 S *	7/2013	Burns	D26/60
D688,402 S *	8/2013	Roshak	D26/49
D698,961 S	2/2014	Dalton	
8,662,701 B2	3/2014	Sharrah et al.	
D749,766 S *	2/2016	Nguyen	D26/49
D769,495 S *	10/2016	Bertken	D26/49
D774,230 S *	12/2016	Prieto	D26/49
2009/0323344 A1	12/2009	Crawford	

Streamlight, Inc., "Tactical Hand-Held Nightfighter X", © 2016, 1 page, <http://www.streamlight.com/en-us/product/product.html?pid=224>.

Streamlight, Inc., "Tactical Hand-Held PolyTac HP", © 2016, 1 page, <http://www.streamlight.com/en-us/product/product.html?pid=180>.

Streamlight, Inc., "Tactical Hand-Held TL-2 LED", © 2016, 2 pages, <http://www.streamlight.com/en-us/product/product.html?pid=36>.

Surefire, LLC, "Scout Light Weaponlights", © 2013, 2 pages, <http://www.surefire.com/illumination/weaponlights/rifle-carbine-smg/scoutlightweaponlights.html>.

Streamlight, PT Series Professional Tactical Lights, 2 pages, Feb. 2010.

Streamlight, NightFighter LED Flashlight, 1 page, Sep. 2009.

Streamlight, Stylus Pro Alkaline Battery-Powered LED Pen Light, 1 page, Apr. 2007.

Streamlight, Stylus Series, Stylus Pro, www.streamlight.com/product/product.aspx?pid=133#, © 2010, 4 pages.

Streamlight, Product Fact Sheet, Streamlight Stylus Pro LED Flashlight, Document #220, 1 page, Nov. 2, 2007, Rev. Nov. 24, 2008.

Streamlight, Polystylus Ultra-Tough Fiberglass Penlight, 2 pages, Rev. A Feb. 2009.

Streamlight, Stylus Series, PolyStylus, www.streamlight.com/product/product.aspx?pid=156#, printed Mar. 15, 2010, 4 pages.

Energizer, Lighting products, 3 sheets, © 2010.

Streamlight, TL-2 L Shock-Proof Flashlight, Aug. 2007, 2 pages.

Streamlight, TL-3 LED Flashlight, Aug. 2007, 2 pages.

Streamlight, Tactical Hand-Held Series, www.streamlight.com/product/product.aspx?pid=35, © 2010, 4 pages.

Eveready Industries India Ltd., "Flashlights—digiLED Torches", 2 pages, © 2009, <http://www.evereadyindustries.com/business/flashlights/led-torches.asp>.

Eveready Industries India Ltd., "Flashlights—Aluminium & Plastic Torches", 2 pages, © 2009, <http://www.evereadyindustries.com/business/flashlights/aluminium-plastic.asp>.

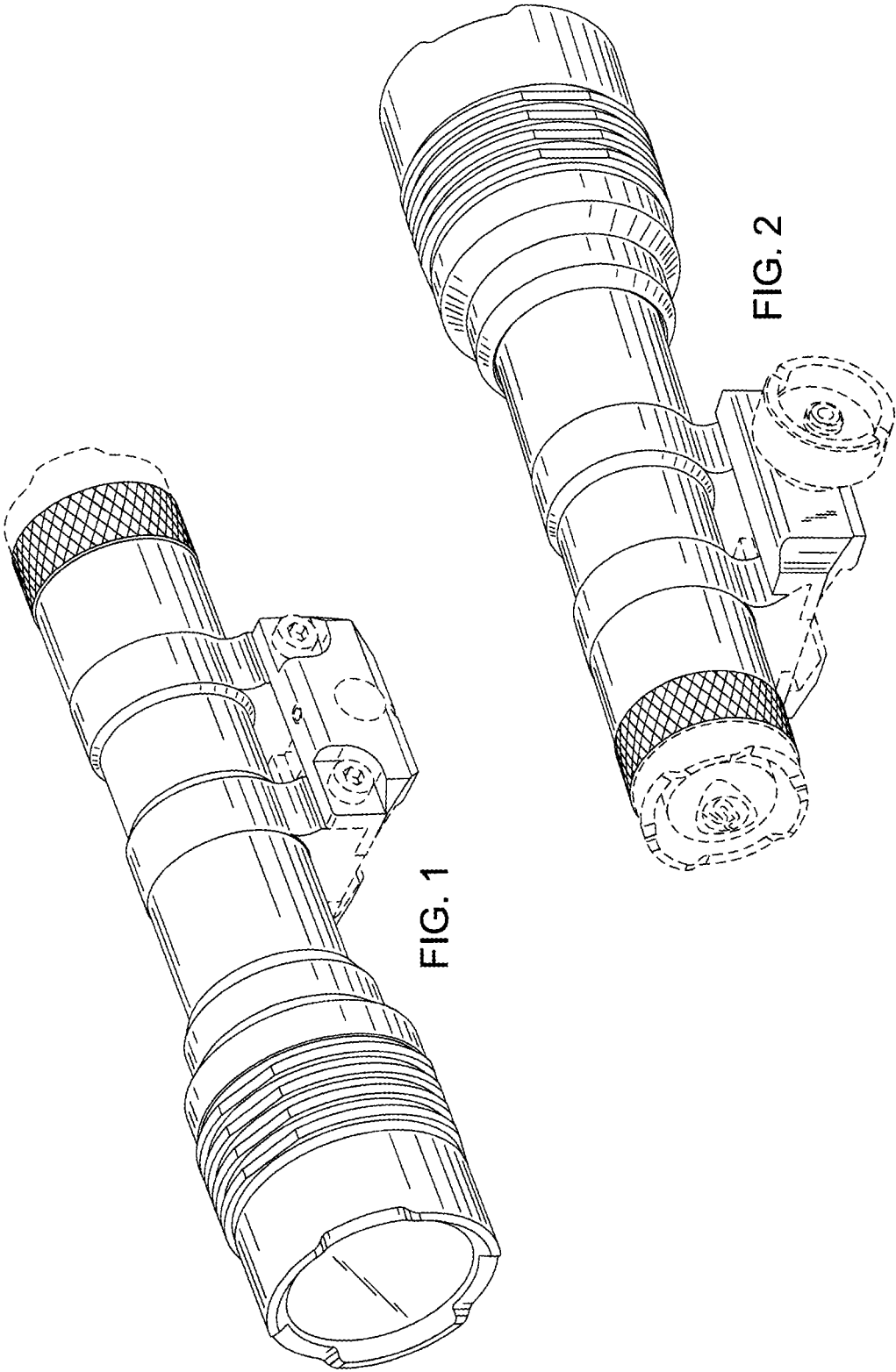
4Sevens, "Products meeting the search criteria ['quark']" and pages for "Neutral White Quark 123^{2*}", "Neutral White Quark AA^{2*}", and "Quark Regular Titanium Collector's Set", http://www.4sevens.com/advanced_search_result.php?keywords=quark © 2010, 23 pages.

4Sevens, "Fenix Lights" and pages for "Fenix E20", "Fenix Digital LD10+", "Fenix Digital LD20+", "Fenix PD20+", and "Fenix PD30+ R4 Edition", © 2010, 19 pages, <http://www.4sevens.com/index.php?cPath=22&osCsid=cfd449e97b829191f16ca2b890c9cf95>.

Fenix Light, Fenix's Homepages: "New Products", and pages for "E21 Neutral White", "LD20 R4", "LD10 R4", "PD30 R4", "PD30", "LD20", "TK12", and "L Series", © 2007, 46 pages, <http://www.fenixlight.com/newping.asp>.

Streamlight, Inc., "ProTac HL—High Lumen Tactical Light", printed Jun. 18, 2012, 5 pages, www.streamlight.com/product/product.aspx?pid=254.

* cited by examiner



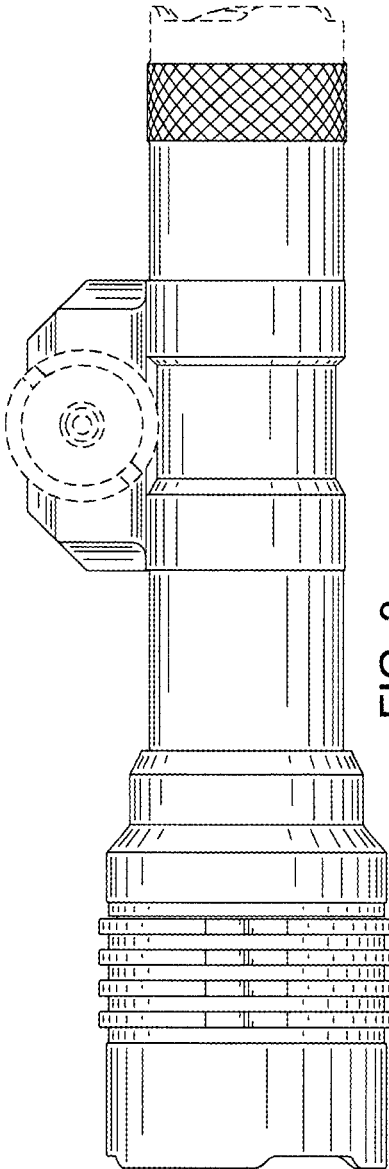


FIG. 3

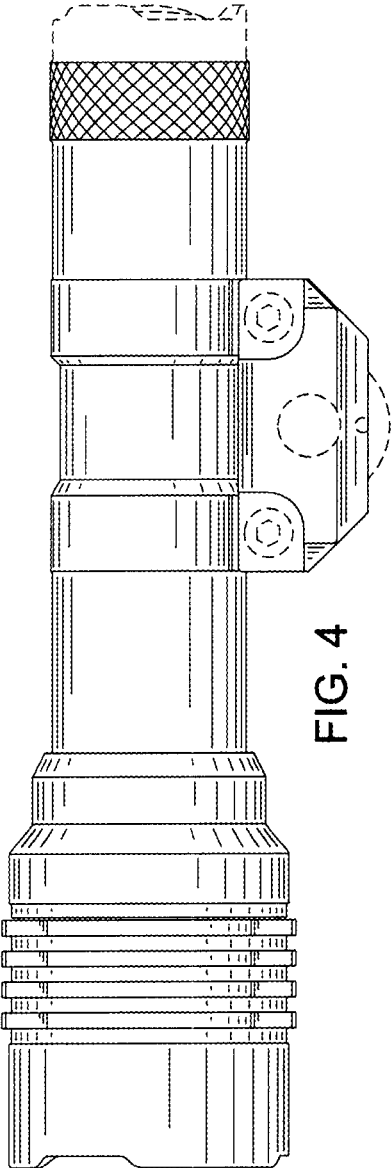


FIG. 4

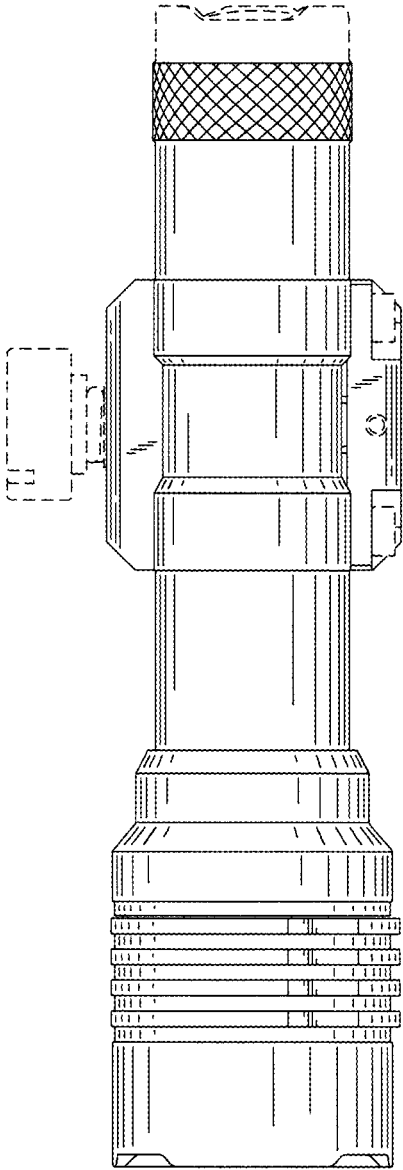


FIG. 5

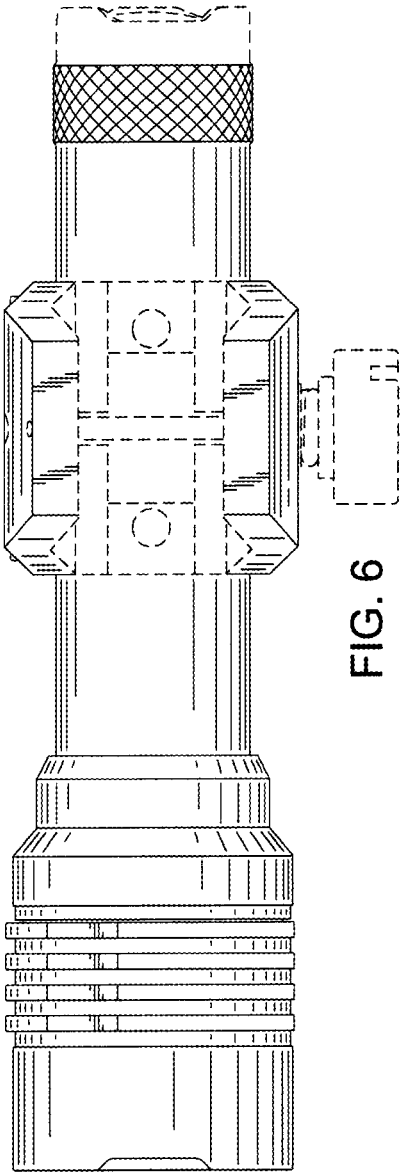


FIG. 6

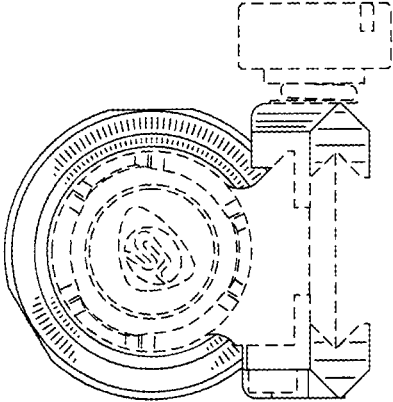


FIG. 8

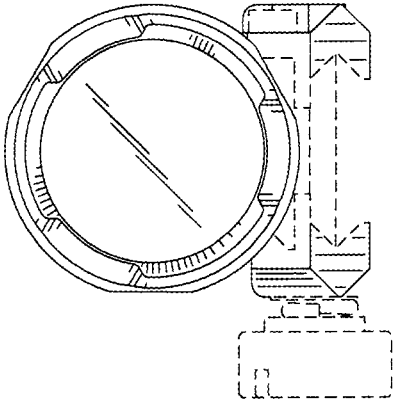


FIG. 7

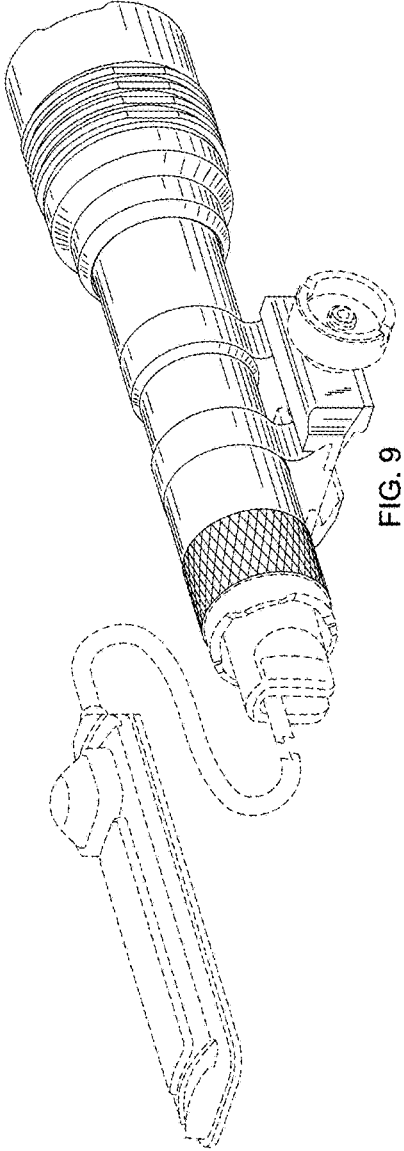


FIG. 9

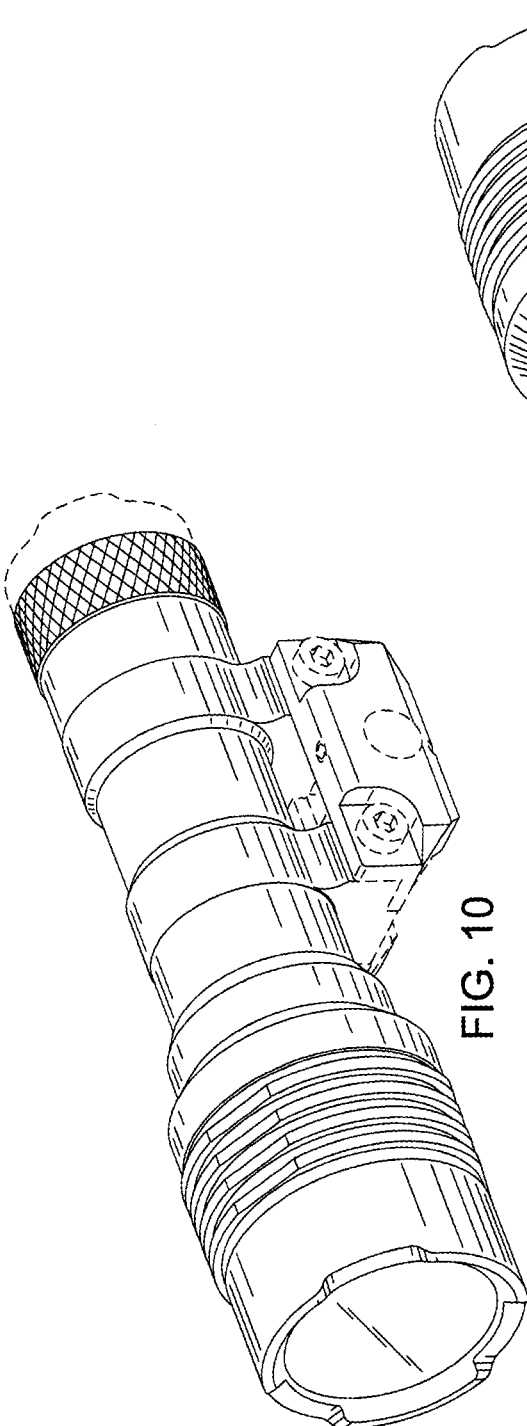


FIG. 10

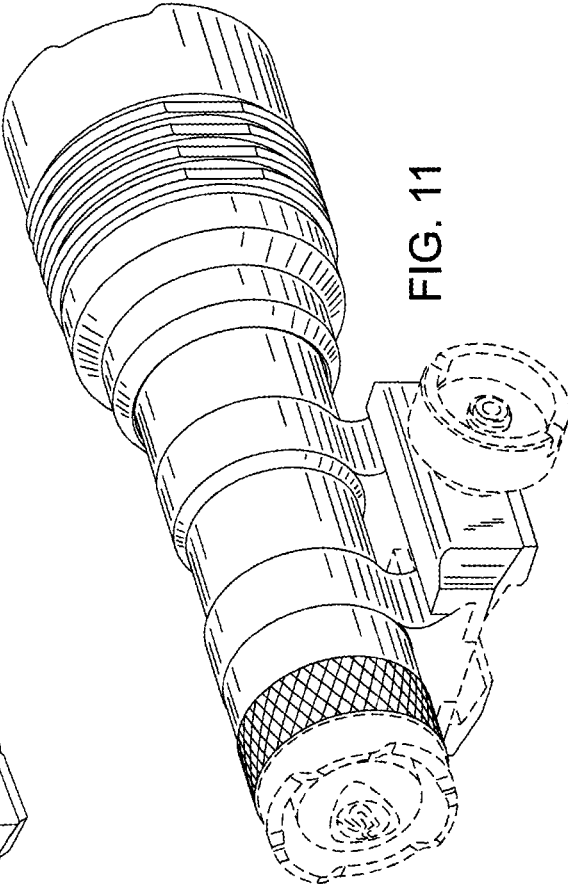


FIG. 11

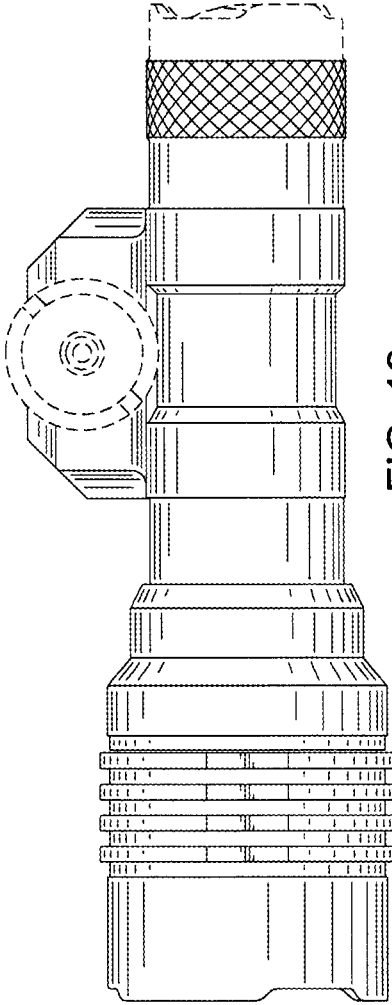


FIG. 12

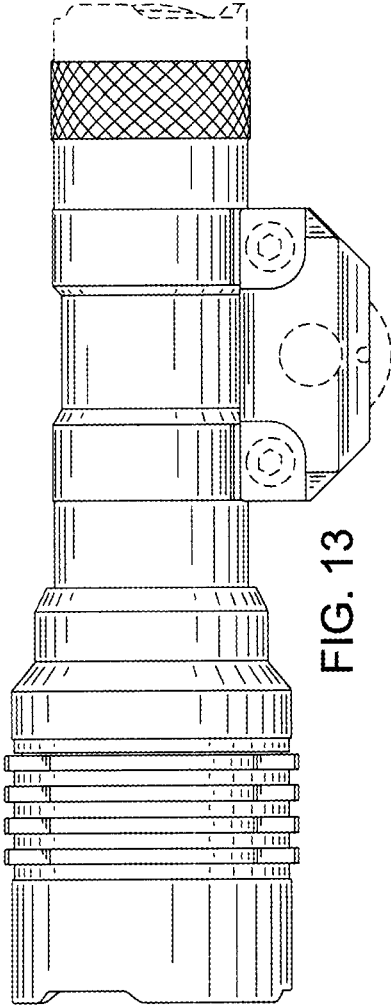


FIG. 13

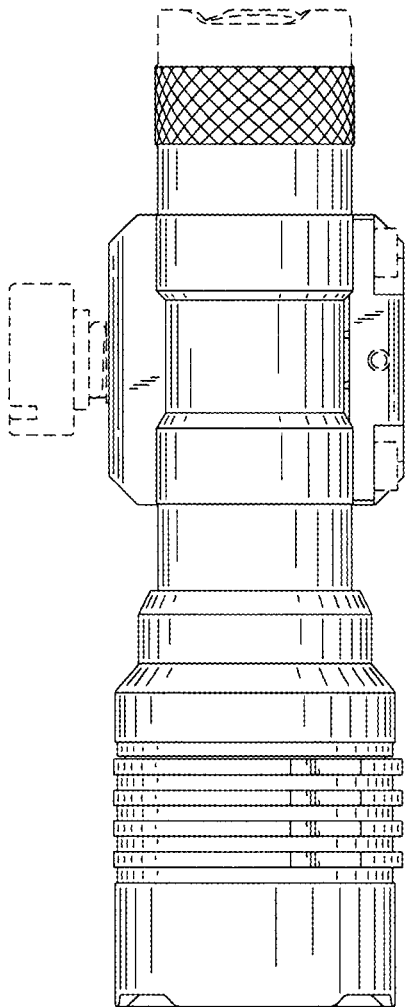


FIG. 14

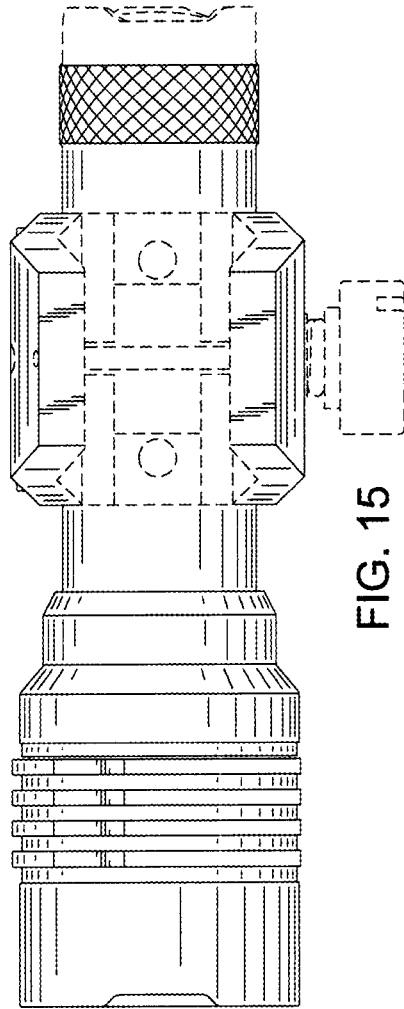


FIG. 15

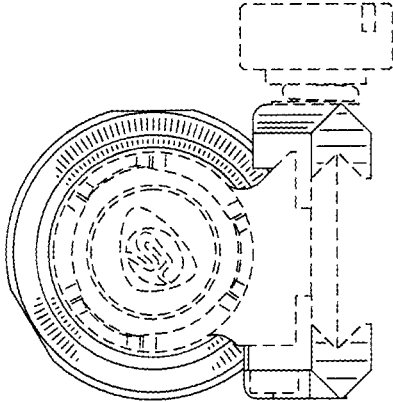


FIG. 17

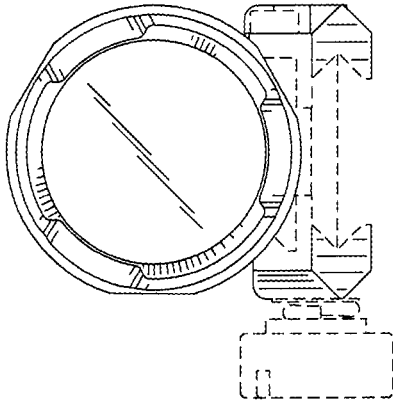


FIG. 16

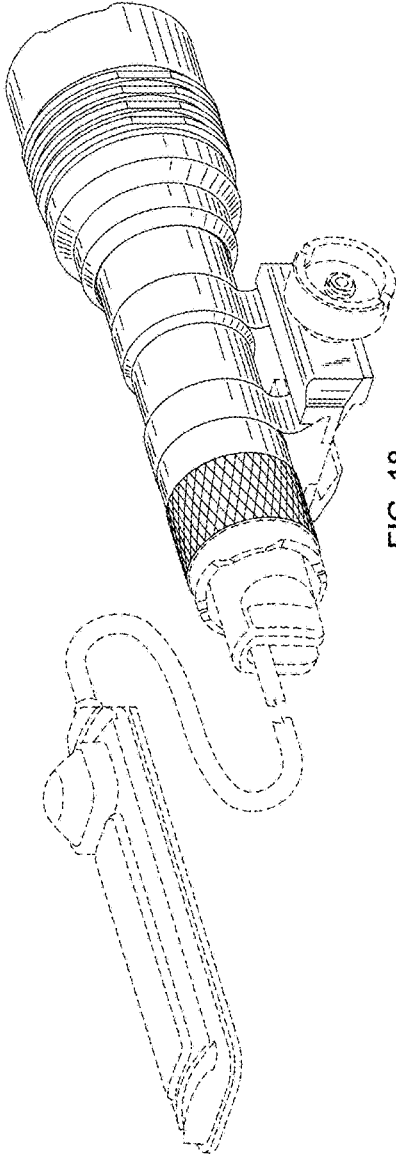


FIG. 18