



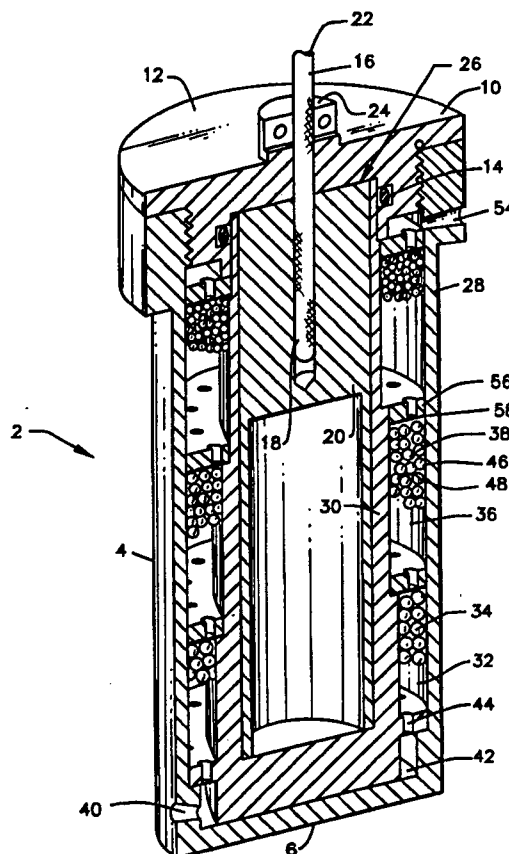
INTERNATIONAL APPLICATION PUBLISHED UNDER THE PATENT COOPERATION TREATY (PCT)

<p>(51) International Patent Classification ⁶ : B03C 5/00, 5/02</p>	<p>A3</p>	<p>(11) International Publication Number: WO 95/26827</p> <p>(43) International Publication Date: 12 October 1995 (12.10.95)</p>
<p>(21) International Application Number: PCT/US95/03665</p> <p>(22) International Filing Date: 23 March 1995 (23.03.95)</p> <p>(30) Priority Data: 08/218,221 25 March 1994 (25.03.94) US</p> <p>(71) Applicant (for all designated States except US): IMSCO, INC. [US/US]; 40 Bayfield Drive, North Andover, MA 01845 (US).</p> <p>(72) Inventors; and (75) Inventors/Applicants (for US only): CROSE, James, R. [US/US]; 5 McCormick Lane, Chelmsford, MA 01824 (US). BERG, Sol, L. [US/US]; 11 Royal Crest Drive, North Andover, MA 01845 (US).</p> <p>(74) Agent: KIPNES, Allen, R.; Watov & Kipnes, P.C., Building 3A., 186 Princeton-Hightstown Road, P.O. Box 247, Princeton Junction, NJ 08550 (US).</p>	<p>(81) Designated States: AM, AT, AU, BB, BG, BR, BY, CA, CH, CN, CZ, DE, DK, EE, ES, FI, GB, GE, HU, JP, KE, KG, KP, KR, KZ, LK, LR, LT, LU, LV, MD, MG, MN, MW, MX, NL, NO, NZ, PL, PT, RO, RU, SD, SE, SI, SK, TJ, TT, UA, US, UZ, VN, European patent (AT, BE, CH, DE, DK, ES, FR, GB, GR, IE, IT, LU, MC, NL, PT, SE), OAPI patent (BF, BJ, CF, CG, CI, CM, GA, GN, ML, MR, NE, SN, TD, TG), ARIPO patent (KE, MW, SD, SZ, UG).</p> <p>Published With international search report. Before the expiration of the time limit for amending the claims and to be republished in the event of the receipt of amendments.</p> <p>(88) Date of publication of the international search report: 2 November 1995 (02.11.95)</p>	

(54) Title: APPARATUS AND METHOD FOR SEPARATING A CHARGED SUBSTANCE FROM A CONDUCTIVE FLUID

(57) Abstract

Apparatus and method for removing a charged substance from a conductive fluid by imposing an electrostatic field on the conductive fluid, the charged substance being drawn to and retained by a charged substance receiving member (38) having a core of a conductive material (50) and an outer surface of a non-conductive material (52).



FOR THE PURPOSES OF INFORMATION ONLY

Codes used to identify States party to the PCT on the front pages of pamphlets publishing international applications under the PCT.

AT	Austria	GB	United Kingdom	MR	Mauritania
AU	Australia	GE	Georgia	MW	Malawi
BB	Barbados	GN	Guinea	NE	Niger
BE	Belgium	GR	Greece	NL	Netherlands
BF	Burkina Faso	HU	Hungary	NO	Norway
BG	Bulgaria	IE	Ireland	NZ	New Zealand
BJ	Benin	IT	Italy	PL	Poland
BR	Brazil	JP	Japan	PT	Portugal
BY	Belarus	KE	Kenya	RO	Romania
CA	Canada	KG	Kyrgystan	RU	Russian Federation
CF	Central African Republic	KP	Democratic People's Republic of Korea	SD	Sudan
CG	Congo	KR	Republic of Korea	SE	Sweden
CH	Switzerland	KZ	Kazakhstan	SI	Slovenia
CI	Côte d'Ivoire	LI	Liechtenstein	SK	Slovakia
CM	Cameroon	LK	Sri Lanka	SN	Senegal
CN	China	LU	Luxembourg	TD	Chad
CS	Czechoslovakia	LV	Latvia	TG	Togo
CZ	Czech Republic	MC	Monaco	TJ	Tajikistan
DE	Germany	MD	Republic of Moldova	TT	Trinidad and Tobago
DK	Denmark	MG	Madagascar	UA	Ukraine
ES	Spain	ML	Mali	US	United States of America
FI	Finland	MN	Mongolia	UZ	Uzbekistan
FR	France			VN	Viet Nam
GA	Gabon				

INTERNATIONAL SEARCH REPORT

International application No.
PCT/US95/03665

A. CLASSIFICATION OF SUBJECT MATTER

IPC(6) :B03C 5/00, 5/02
US CL : 204/186, 302

According to International Patent Classification (IPC) or to both national classification and IPC

B. FIELDS SEARCHED

Minimum documentation searched (classification system followed by classification symbols)

U.S. : 204/180.1, 183.1, 183.3, 186, 188, 189, 190, 191, 299R, 300R, 302, 304, 305, 306, 307, 308; 210, 243, 748; 422/22, 44

Documentation searched other than minimum documentation to the extent that such documents are included in the fields searched

Electronic data base consulted during the international search (name of data base and, where practicable, search terms used)

APS
spheres, beads, balls, particles, bed, core, center, ferrous, iron, polarize, dipole, blood, virus

C. DOCUMENTS CONSIDERED TO BE RELEVANT

Category*	Citation of document, with indication, where appropriate, of the relevant passages	Relevant to claim No.
Y	US, A, 3,766,034 (VELTMAN) 16 October 1973, abstract, column 2, lines 43-54.	1-3, 5-7, 10-16
X	US, A, 3,980,541 (AINE) 14 September 1976, abstract, column 4, lines 38-64, column 9, lines 8-30.	1, 2, 15
A	US, A, 4,594,138 (THOMPSON) 10 June 1986.	1-23
X	US, A, 4,744,910 (BOSSARD) 17 May 1988, abstract.	1, 15
A	US, A, 5,036,365 (LANDA) 30 July 1991.	1-23
X	US, A, 5,106,468 (CHIMENTI) 21 April 1992, column 23, lines 29-54.	1, 15
A	US, A, 5,133,844 (STEVENS) 28 July 1992.	1-23

Further documents are listed in the continuation of Box C. See patent family annex.

* Special categories of cited documents:	"T" later document published after the international filing date or priority date and not in conflict with the application but cited to understand the principle or theory underlying the invention
"A" document defining the general state of the art which is not considered to be of particular relevance	"X" document of particular relevance; the claimed invention cannot be considered novel or cannot be considered to involve an inventive step when the document is taken alone
"E" earlier document published on or after the international filing date	"Y" document of particular relevance; the claimed invention cannot be considered to involve an inventive step when the document is combined with one or more other such documents, such combination being obvious to a person skilled in the art
"L" document which may throw doubts on priority claim(s) or which is cited to establish the publication date of another citation or other special reason (as specified)	"&" document member of the same patent family
"O" document referring to an oral disclosure, use, exhibition or other means	
"P" document published prior to the international filing date but later than the priority date claimed	

Date of the actual completion of the international search

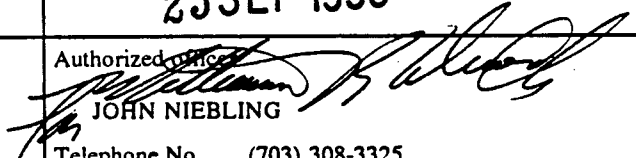
01 SEPTEMBER 1995

Date of mailing of the international search report

25 SEP 1995

Name and mailing address of the ISA/US
Commissioner of Patents and Trademarks
Box PCT
Washington, D.C. 20231

Facsimile No. (703) 305-3230

Authorized officer

JOHN NIEBLING

Telephone No. (703) 308-3325

INTERNATIONAL SEARCH REPORT

International application No.
PCT/US95/03665

C (Continuation). DOCUMENTS CONSIDERED TO BE RELEVANT		
Category*	Citation of document, with indication, where appropriate, of the relevant passages	Relevant to claim No.
A	US, A, 5,139,684 (KAALI ET AL) 18 August 1992.	1-23
Y,P	US, A, 5,372,690 (GARDNER-CLAYSON ET AL) 13 December 1994, abstract, column 4, lines 62-65, column 5, lines 56-62, column 6, lines 1-7.	1-3, 5-7, 10-16