

(19) World Intellectual Property Organization
International Bureau



(43) International Publication Date
7 December 2006 (07.12.2006)

PCT

(10) International Publication Number
WO 2006/130484 A3

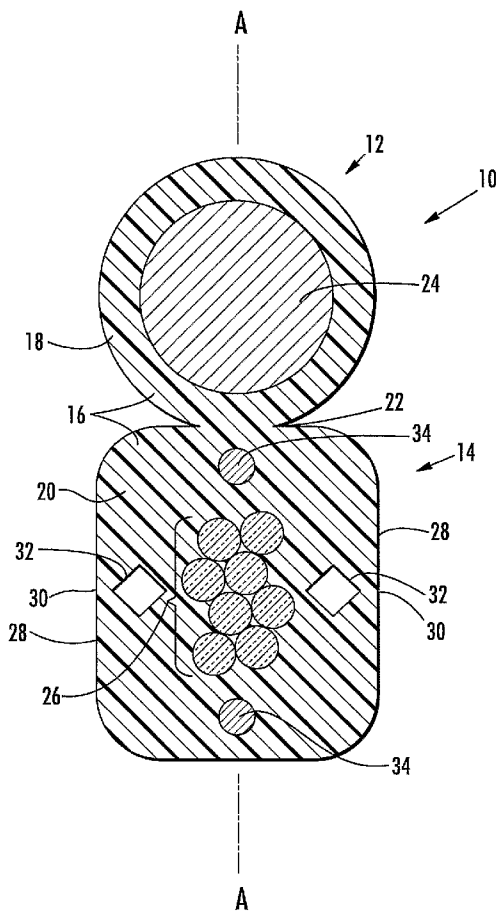
- (51) International Patent Classification:
G02B 6/44 (2006.01)
- (21) International Application Number:
PCT/US2006/020507
- (22) International Filing Date: 26 May 2006 (26.05.2006)
- (25) Filing Language: English
- (26) Publication Language: English
- (30) Priority Data:
11/141,413 31 May 2005 (31.05.2005) US

- (71) Applicants and
- (72) Inventors: **BLAZER, Bradley, J.** [US/US]; 5378 Hazel Lane, Granite Falls, North Carolina 28630 (US). **ABERNATHY, George, Neill** [US/US]; 307 3rd Street, SW, Hildebran, North Carolina 28637 (US). **LOCHKOVIC, Gregory, A.** [US/US]; 1140 McDowell Circle, Conover, NC 28613 (US). **ROBERTS, Reginald** [US/US]; 51 Arbor Springs Drive, Taylorsville, NC 28681 (US).
- (74) Agent: **CARROLL, Michael, E., Jr.**; 800 17th St. NW, Post Office Box 489, Hickory, North Carolina 28603-0489 (US).
- (81) Designated States (*unless otherwise indicated, for every kind of national protection available*): AE, AG, AL, AM, AT, AU, AZ, BA, BB, BG, BR, BW, BY, BZ, CA, CH, CN, CO, CR, CU, CZ, DE, DK, DM, DZ, EC, EE, EG, ES, FI, GB, GD, GE, GH, GM, HR, HU, ID, IL, IN, IS, JP, KE, KG, KM, KN, KP, KR, KZ, LC, LK, LR, LS, LT, LU, LV, LY, MA, MD, MG, MK, MN, MW, MX, MZ, NA, NG, NI, NO, NZ, OM, PG, PH, PL, PT, RO, RU, SC, SD, SE, SG,

(71) Applicant (*for all designated States except US*): **CORNING CABLE SYSTEMS LLC** [US/US]; 800 17th Street, Post Office Box 489, Hickory, North Carolina 28601 (US).

[Continued on next page]

(54) Title: FIBER OPTIC CABLES THAT ARE SEPARABLE FOR OPTICAL FIBER ACCESS



(57) Abstract: A fiber optic cable includes a messenger section (12) having at least one strength member (24), a carrier section (14) having at least one optical fiber (26) therein, and a common jacket material that forms a common jacket (16). In one embodiment, the carrier jacket (20) has a preferential tear portion (30) adjacent to the at least one optical fiber (26) with a substantially continuous outer surface in the carrier jacket adjacent to the preferential tear portion. The preferential tear portion may be defined by at least one of at least one internal void (32), at least one weld line (232), and at least one wing (336) extending from tape disposed about the one or more optical fibers. Various alternatives are possible. For example, the carrier jacket (20) may also or alternatively include at least one gripping area extending for enhancing the gripping of the carrier section when pulling apart the carrier section and messenger section.

WO 2006/130484 A3



SK, SL, SM, SY, TJ, TM, TN, TR, TT, TZ, UA, UG, US,
UZ, VC, VN, YU, ZA, ZM, ZW.

(84) Designated States (*unless otherwise indicated, for every kind of regional protection available*): ARIPO (BW, GH, GM, KE, LS, MW, MZ, NA, SD, SL, SZ, TZ, UG, ZM, ZW), Eurasian (AM, AZ, BY, KG, KZ, MD, RU, TJ, TM), European (AT, BE, BG, CH, CY, CZ, DE, DK, EE, ES, FI, FR, GB, GR, HU, IE, IS, IT, LT, LU, LV, MC, NL, PL, PT, RO, SE, SI, SK, TR), OAPI (BF, BJ, CF, CG, CI, CM, GA, GN, GQ, GW, ML, MR, NE, SN, TD, TG).

Published:

- *with international search report*
- *before the expiration of the time limit for amending the claims and to be republished in the event of receipt of amendments*

(88) Date of publication of the international search report:
26 April 2007

For two-letter codes and other abbreviations, refer to the "Guidance Notes on Codes and Abbreviations" appearing at the beginning of each regular issue of the PCT Gazette.

INTERNATIONAL SEARCH REPORT

International application No.
PCT/US06/20507

A. CLASSIFICATION OF SUBJECT MATTER
 IPC: **G02B 6/44** (2006.01)

 USPC: 385/100,102,103,105
 According to International Patent Classification (IPC) or to both national classification and IPC

B. FIELDS SEARCHED
 Minimum documentation searched (classification system followed by classification symbols)
 U.S. : 385/100,102,103,105

Documentation searched other than minimum documentation to the extent that such documents are included in the fields searched

Electronic data base consulted during the international search (name of data base and, where practicable, search terms used)
 EAST searched; search terms: drop near4 cable, tear or rip, strength or reinforce

C. DOCUMENTS CONSIDERED TO BE RELEVANT

Category *	Citation of document, with indication, where appropriate, of the relevant passages	Relevant to claim No.
X	US 5,651,081 (BLEW et al) 22 July 1997 (22.07.1997), column 7 line 30 through column 8, line 3, figure 5.	1-28
X	US 2003/0072545 A1 (KUSAKARI et al) 17 April 2003 (17.04.2003), see abstract, figures 5 and 6.	17, 18
---		-----
Y		1-16, and 19-28

Further documents are listed in the continuation of Box C. See patent family annex.

* Special categories of cited documents:	"T"	later document published after the international filing date or priority date and not in conflict with the application but cited to understand the principle or theory underlying the invention
"A" document defining the general state of the art which is not considered to be of particular relevance	"X"	document of particular relevance; the claimed invention cannot be considered novel or cannot be considered to involve an inventive step when the document is taken alone
"E" earlier application or patent published on or after the international filing date	"Y"	document of particular relevance; the claimed invention cannot be considered to involve an inventive step when the document is combined with one or more other such documents, such combination being obvious to a person skilled in the art
"L" document which may throw doubts on priority claim(s) or which is cited to establish the publication date of another citation or other special reason (as specified)	"&"	document member of the same patent family
"O" document referring to an oral disclosure, use, exhibition or other means		
"P" document published prior to the international filing date but later than the priority date claimed		

Date of the actual completion of the international search: 12 February 2007 (12.02.2007)
 Date of mailing of the international search report: 08 MAR 2007

Name and mailing address of the ISA/US: Mail Stop PCT, Attn: ISA/US, Commissioner for Patents, P.O. Box 1450, Alexandria, Virginia 22313-1450
 Facsimile No. (571) 273-3201
 Authorized officer: Sung Pak (Signature: Lydia Deuel For)
 Telephone No. (571) 272-2355