



US00D779203S

(12) **United States Design Patent** (10) **Patent No.:** **US D779,203 S**
Kinskey (45) **Date of Patent:** **** Feb. 21, 2017**

(54) **PARTS STORAGE CONTAINER**

(71) Applicant: **LF Centennial Ltd.**, Road Town, Tortola (VG)

(72) Inventor: **Terrence P. Kinskey**, Alpharetta, GA (US)

(73) Assignee: **L.F. CENTENNIAL LTD.**, Road Town, Tortola (VG)

(**) Term: **14 Years**

(21) Appl. No.: **29/504,307**

(22) Filed: **Oct. 3, 2014**

(51) **LOC (10) Cl.** **03-01**

(52) **U.S. Cl.**

USPC **D3/294**

(58) **Field of Classification Search**

USPC D3/273, 274, 275, 276, 281, 284, 292, D3/294, 295, 296, 297, 299, 905, 901, D3/903, 205, 203.1, 279, 282, 242, 301, D3/302; D9/418, 420-423; D28/76-78, D28/82-83; D99/28, 34

CPC A45C 5/00; A45C 5/04; A45C 11/00; A45C 11/16

See application file for complete search history.

(56) **References Cited**

U.S. PATENT DOCUMENTS

2,332,245 A 6/1941 Moll
4,915,913 A 4/1990 Williams et al.
4,920,771 A 5/1990 Jiang

(Continued)

OTHER PUBLICATIONS

Sportsman's Warehouse, Plano 2-3705 Pro Latch Stowaway, <https://web.archive.org/web/20110317013706/http://www.sportsmanswarehouse.com/sportsmans/Plano-2-3705-Pro-Latch-Stowaway/productDetail/Utility-Compartment-Boxes/prod9999000388/cat101127>, first available online Mar. 17, 2011 (retrieved Sep. 6, 2016).*

sportsmanswarehouse.com/sportsmans/Plano-2-3705-Pro-Latch-Stowaway/productDetail/Utility-Compartment-Boxes/prod9999000388/cat101127, first available online Mar. 17, 2011 (retrieved Sep. 6, 2016).*

(Continued)

Primary Examiner — Sandra Snapp

Assistant Examiner — Holly E Thurman

(74) *Attorney, Agent, or Firm* — Duane Morris LLP; J. Rodman Steele, Jr.; Gregory M. Lefkowitz

(57) **CLAIM**

The ornamental design for a parts storage container, as shown and described.

DESCRIPTION

FIG. 1 is a perspective view of the parts storage container showing my new design.

FIG. 2 is a perspective view of an interior of the design of FIG. 1;

FIG. 3 is a front view of the design of FIG. 1;

FIG. 4 is a back view of the design of FIG. 1;

FIG. 5 is a left side view of the design of FIG. 1;

FIG. 6 is a right side view of the design of FIG. 1;

FIG. 7 is a top view of the design of FIG. 1;

FIG. 8 is a bottom view of the design of FIG. 1;

FIG. 9 is a perspective view of an alternate embodiment showing a transparent surface;

FIG. 10 is a perspective view of an interior of the design of FIG. 9;

FIG. 11 is a front view of the design of FIG. 9;

FIG. 12 is a back view of the design of FIG. 9;

FIG. 13 is a left side view of the design of FIG. 9;

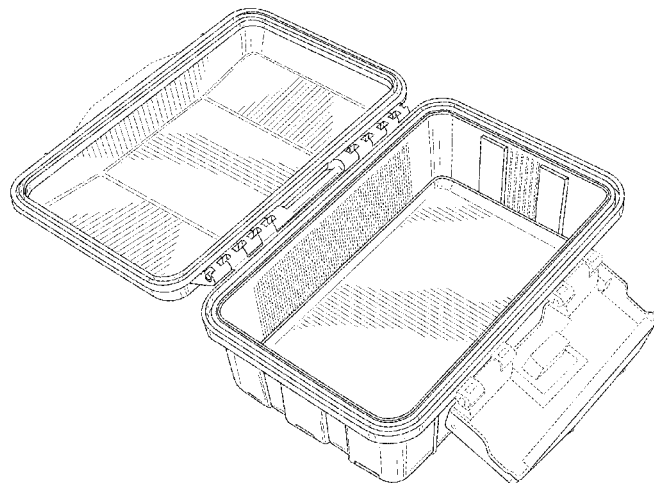
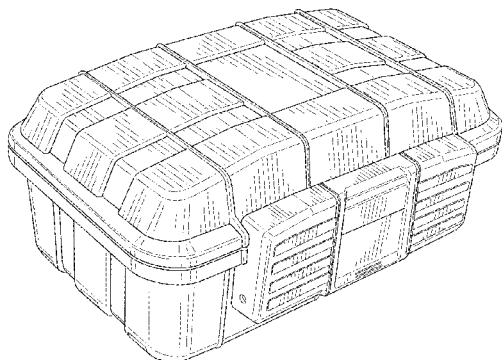
FIG. 14 is a right side view of the design of FIG. 9;

FIG. 15 is a top view of the design of FIG. 9; and,

FIG. 16 is a bottom view of the design of FIG. 9.

The broken lines are included for purposes of illustrating environment and form no part of the claimed design.

1 Claim, 12 Drawing Sheets



(56)

References Cited

U.S. PATENT DOCUMENTS

5,127,684 A 7/1992 Klotz et al.
 D439,407 S 3/2001 Parker
 D441,954 S 5/2001 Parker
 D464,196 S 10/2002 Parker
 D465,330 S 11/2002 Parker
 D473,054 S * 4/2003 Roehrig D3/294
 D483,948 S 12/2003 Parker
 D485,069 S 1/2004 Parker
 6,698,608 B2 3/2004 Parker et al.
 D492,184 S 6/2004 Parker et al.
 6,789,692 B2 9/2004 Prezelin
 6,953,126 B2 10/2005 Parker et al.
 D516,807 S * 3/2006 Richardson D3/273
 D520,237 S * 5/2006 Cheng D3/276
 D523,242 S * 6/2006 Hardigg D3/276
 D578,759 S * 10/2008 Grenier D3/294
 7,533,782 B2 5/2009 Parker et al.
 D634,930 S * 3/2011 Lalo D3/276
 D711,105 S * 8/2014 Brunner D3/281
 D724,320 S * 3/2015 Russell D3/273
 D724,842 S * 3/2015 Whalen D3/294
 8,985,385 B2 * 3/2015 Parker A45C 13/008
 220/326

D727,620 S * 4/2015 Tonelli D3/276
 D738,106 S * 9/2015 Shitrit D3/276
 D742,640 S * 11/2015 Sabbag D3/281
 2002/0043534 A1 4/2002 Uke
 2003/0010783 A1 1/2003 Prezelin
 2006/0186003 A1 8/2006 Dost et al.
 2009/0114646 A1 5/2009 Whalen
 2009/0200300 A1 8/2009 Parker et al.
 2011/0127264 A1 6/2011 Whalen
 2011/0147386 A1 6/2011 Whalen

OTHER PUBLICATIONS

Plano Molding Company, Hunter Guide Series PC Field Box,
https://www.amazon.co.uk/Plano-Molding-Company-Hunter-X-Small/dp/B00VKPRAIO/ref=sr_1_21?ie=UTF8&qid=1473178203&sr=8-21&keywords=plano+molding+waterproof,
 first available online Jul. 20, 2016 (retrieved Sep. 6, 2016).*
 Coleman Watertight Storage Container, <https://www.walmart.com/ip/Coleman-2000014511-Watertight-Storage-Container-Medium/35395633#reviews>, available online Dec. 8, 2014 (retrieved Sep. 6, 2016).*

* cited by examiner

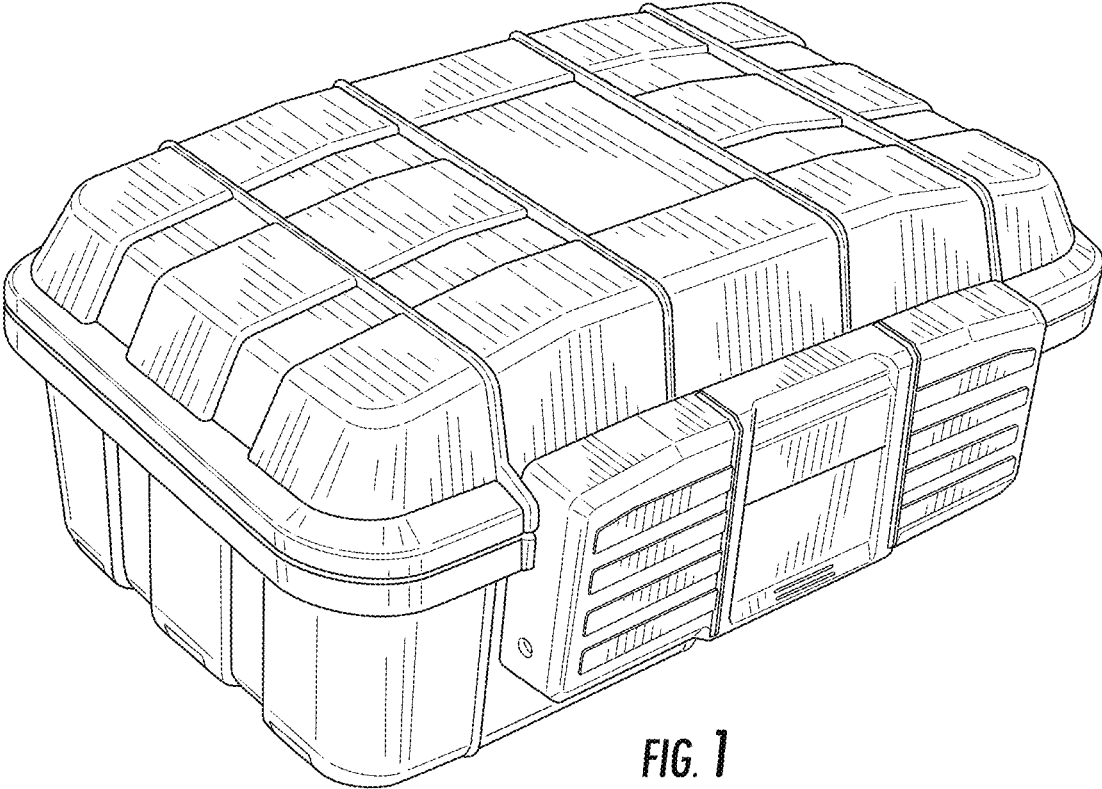


FIG. 1

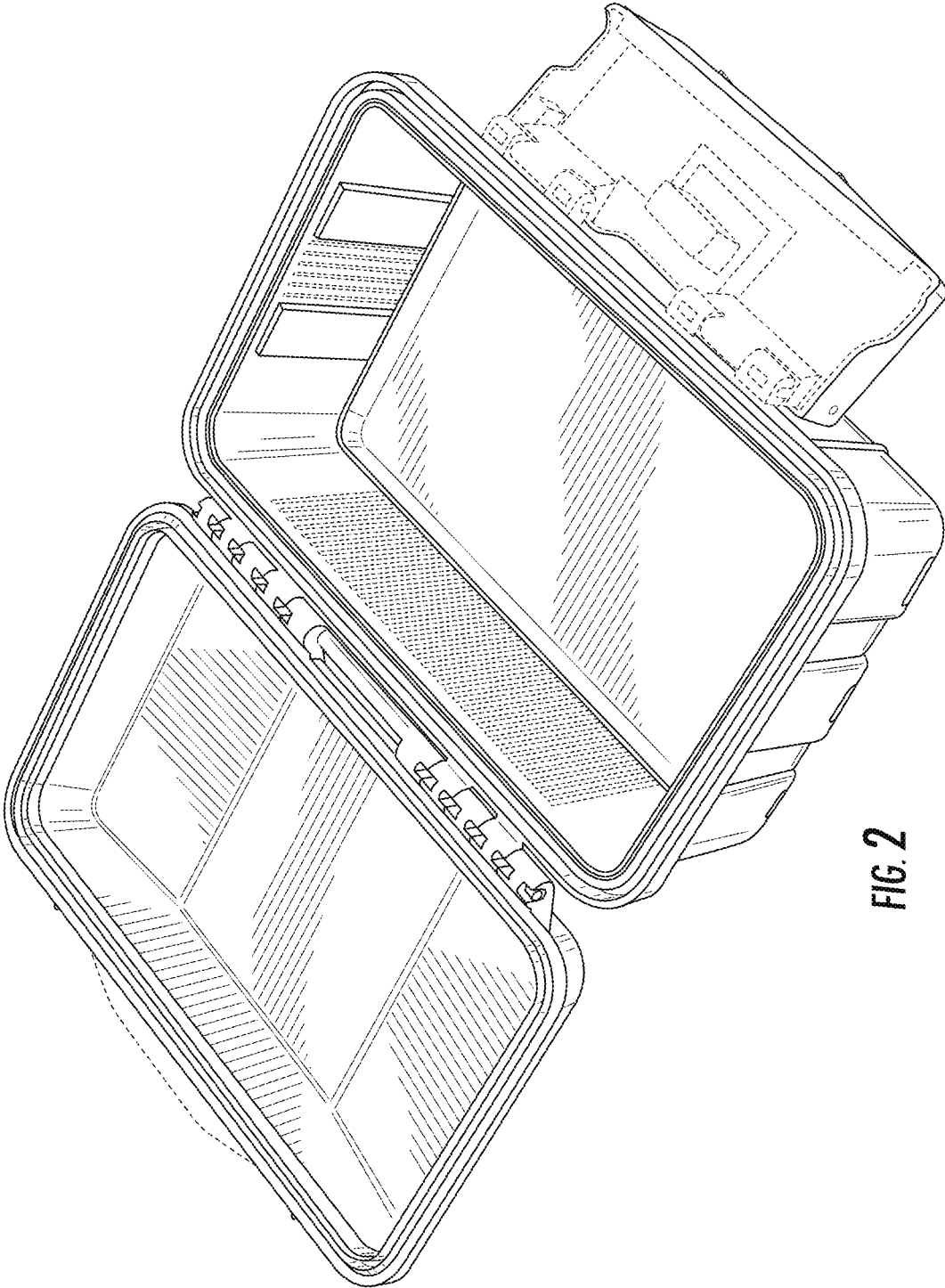


FIG. 2

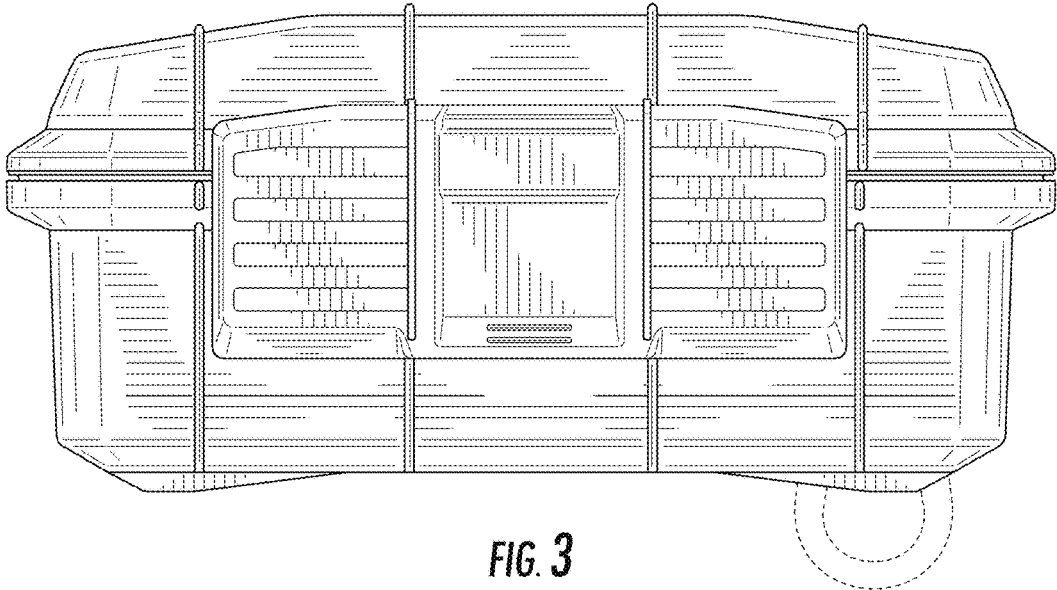


FIG. 3

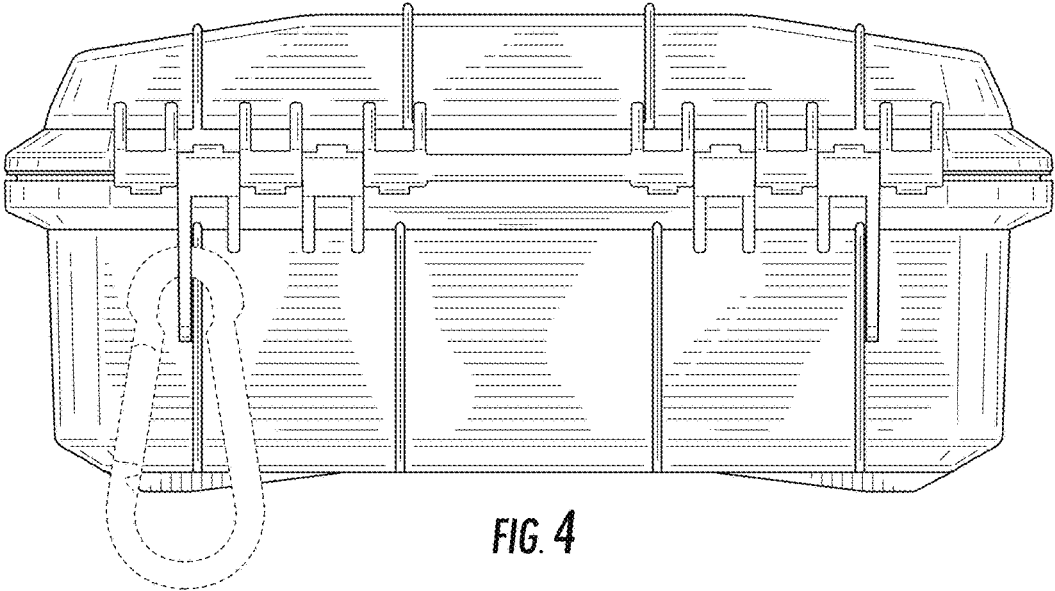


FIG. 4

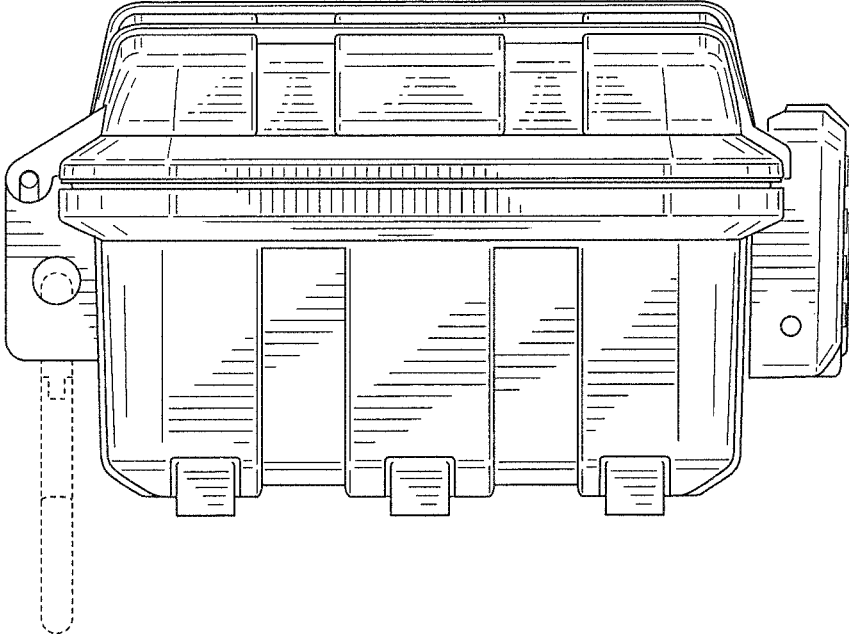


FIG. 5

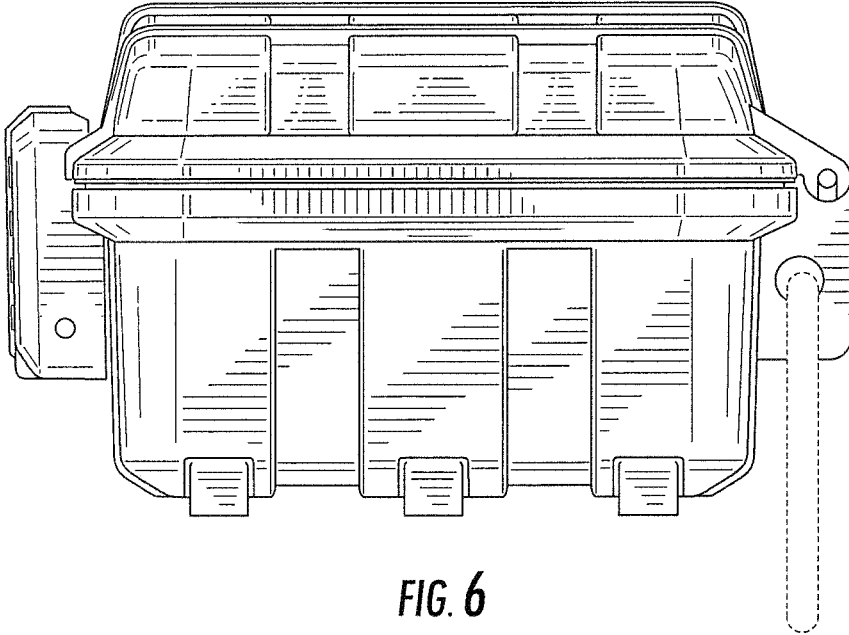


FIG. 6

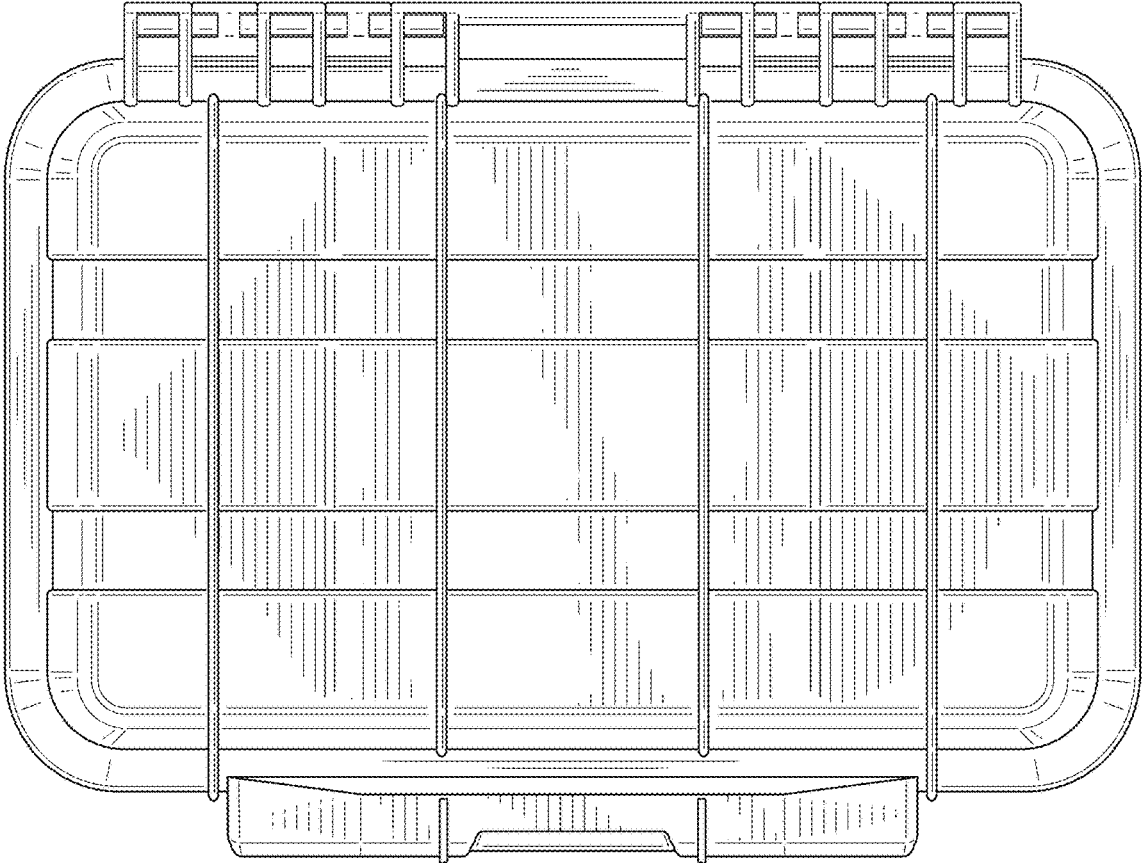


FIG. 7

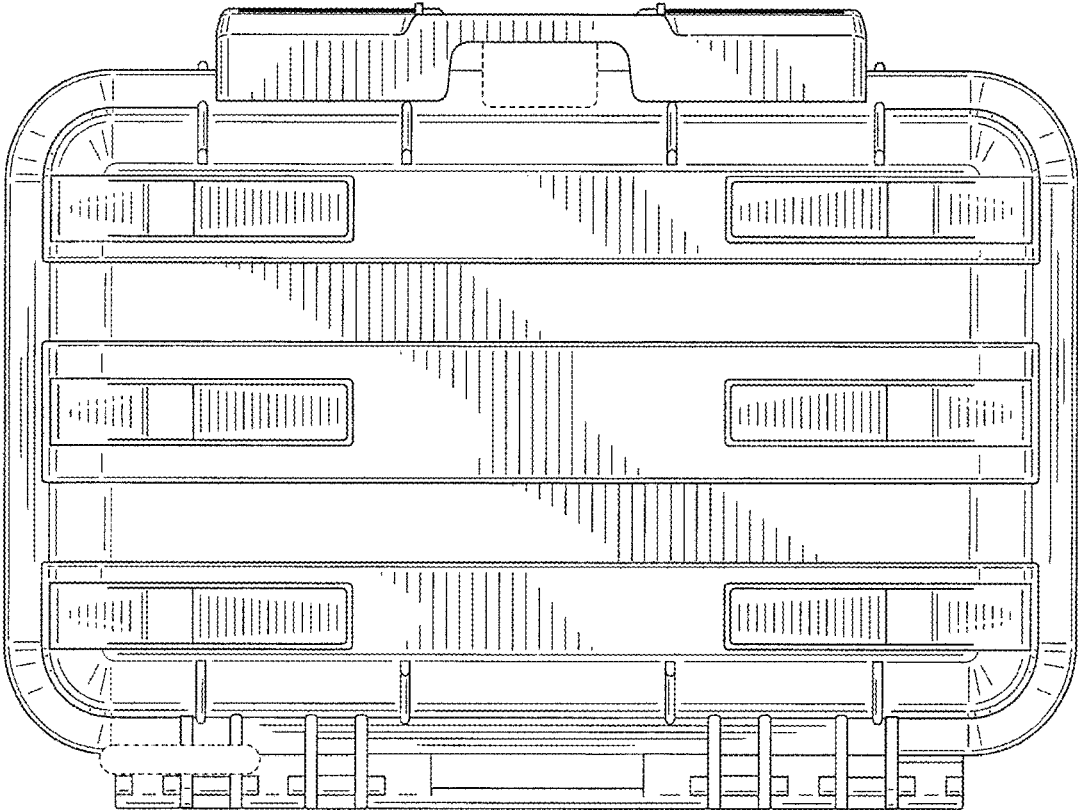


FIG. 8

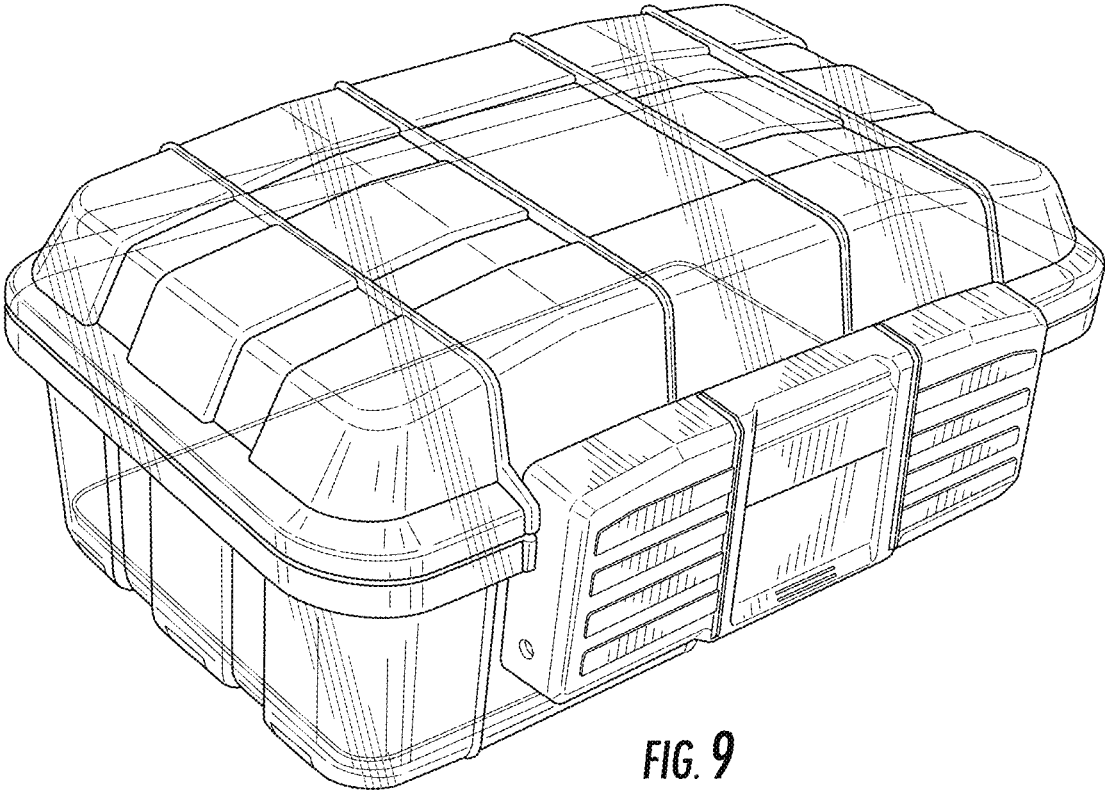


FIG. 9

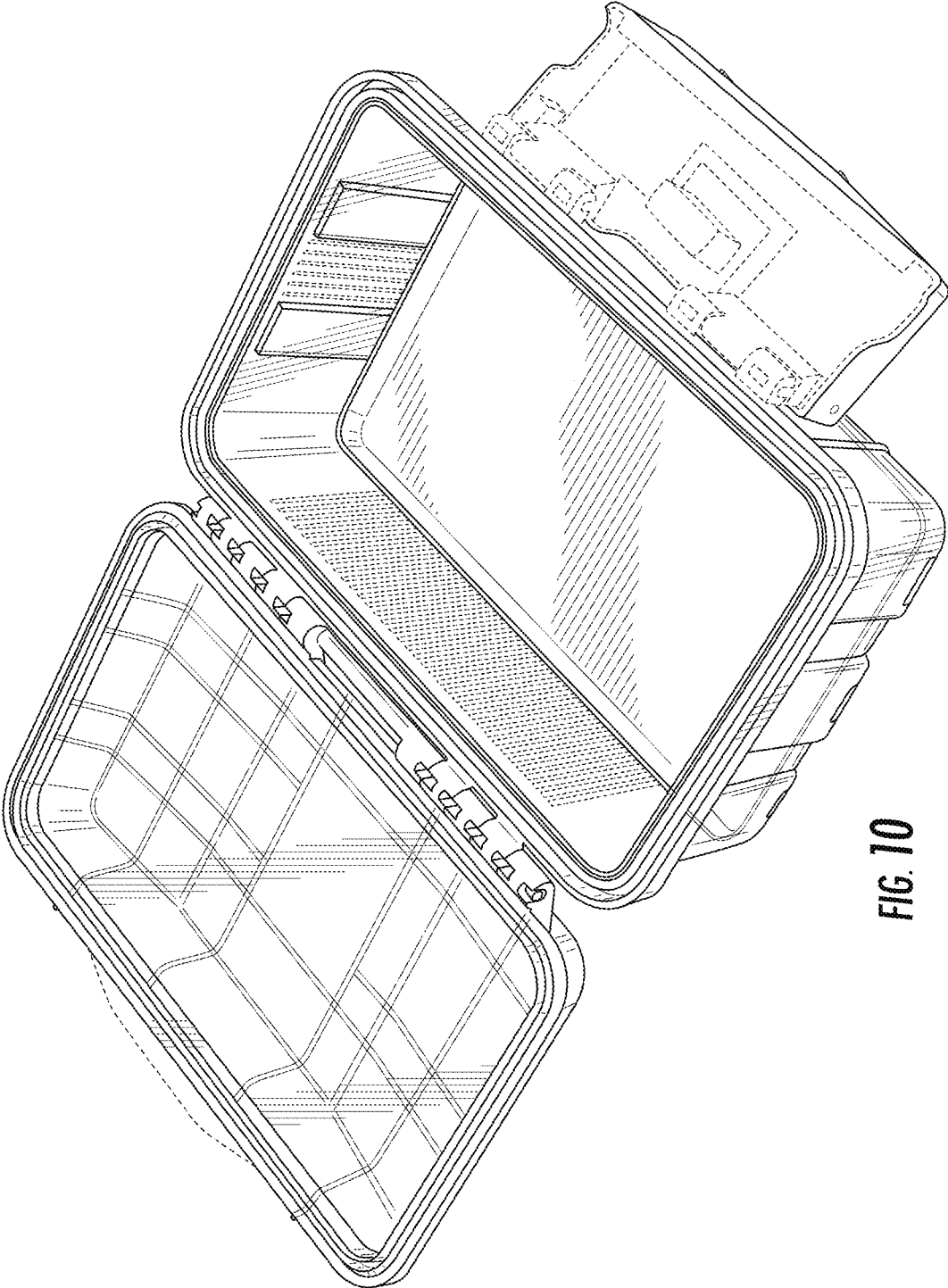


FIG. 10

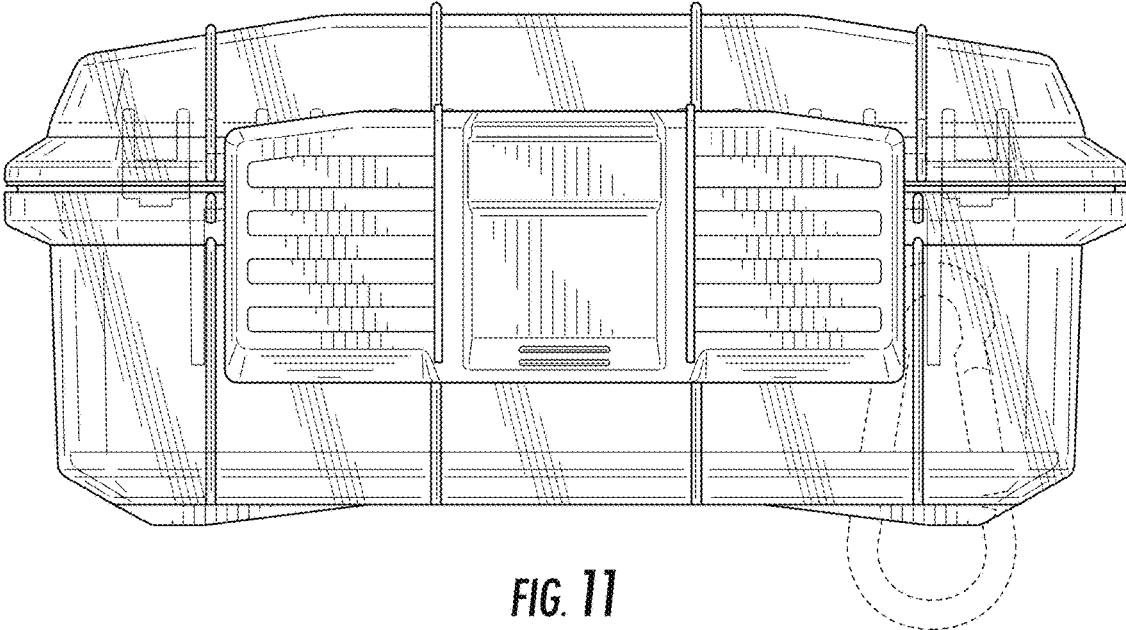


FIG. 11

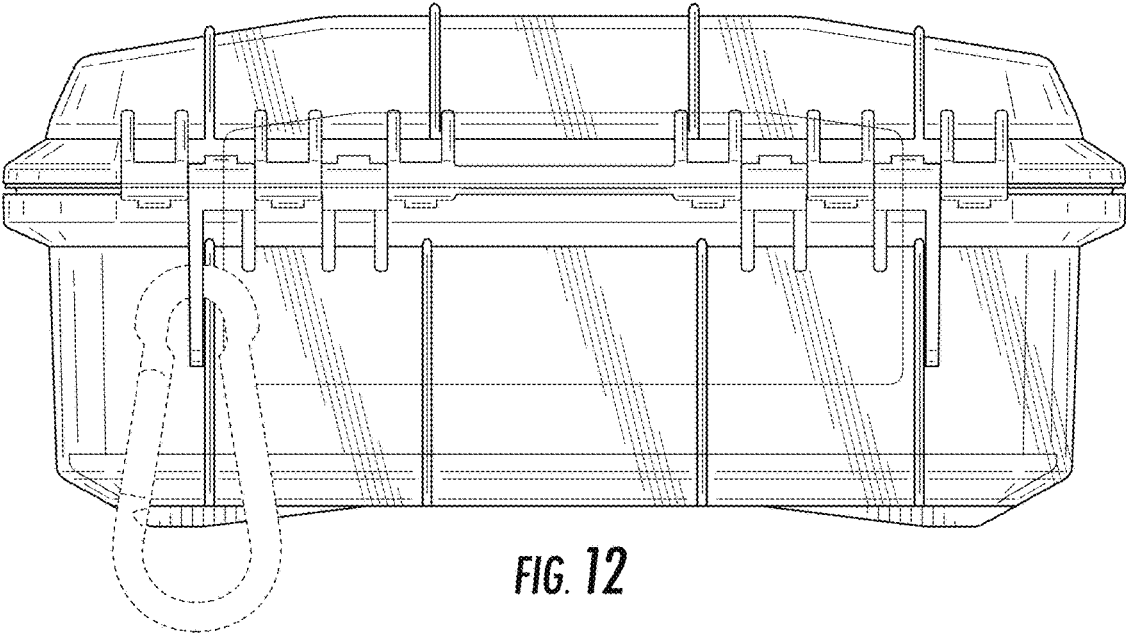


FIG. 12

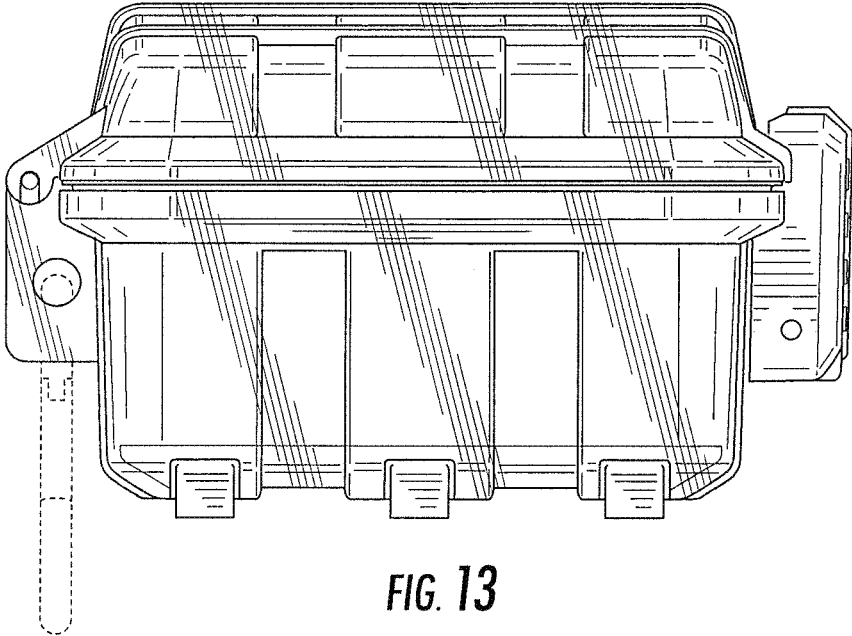


FIG. 13

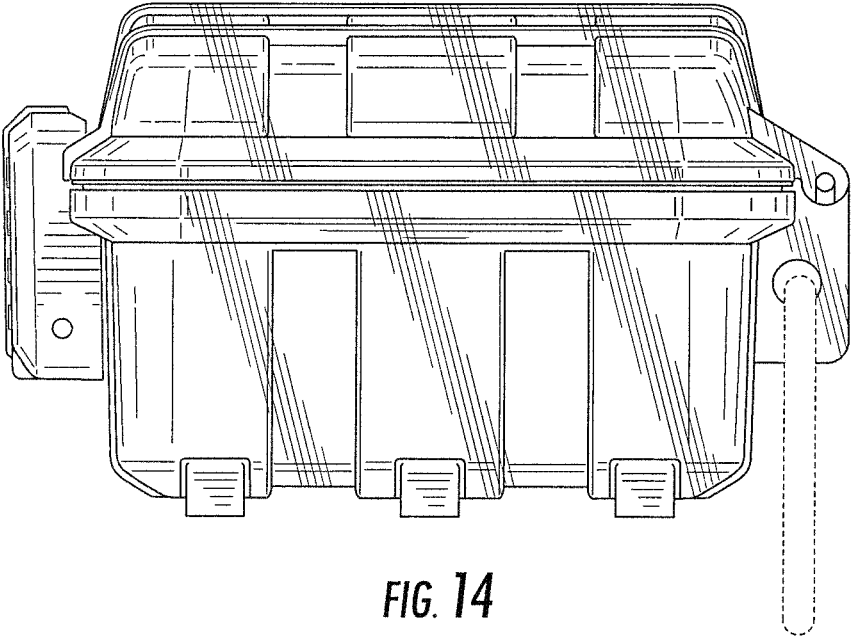


FIG. 14

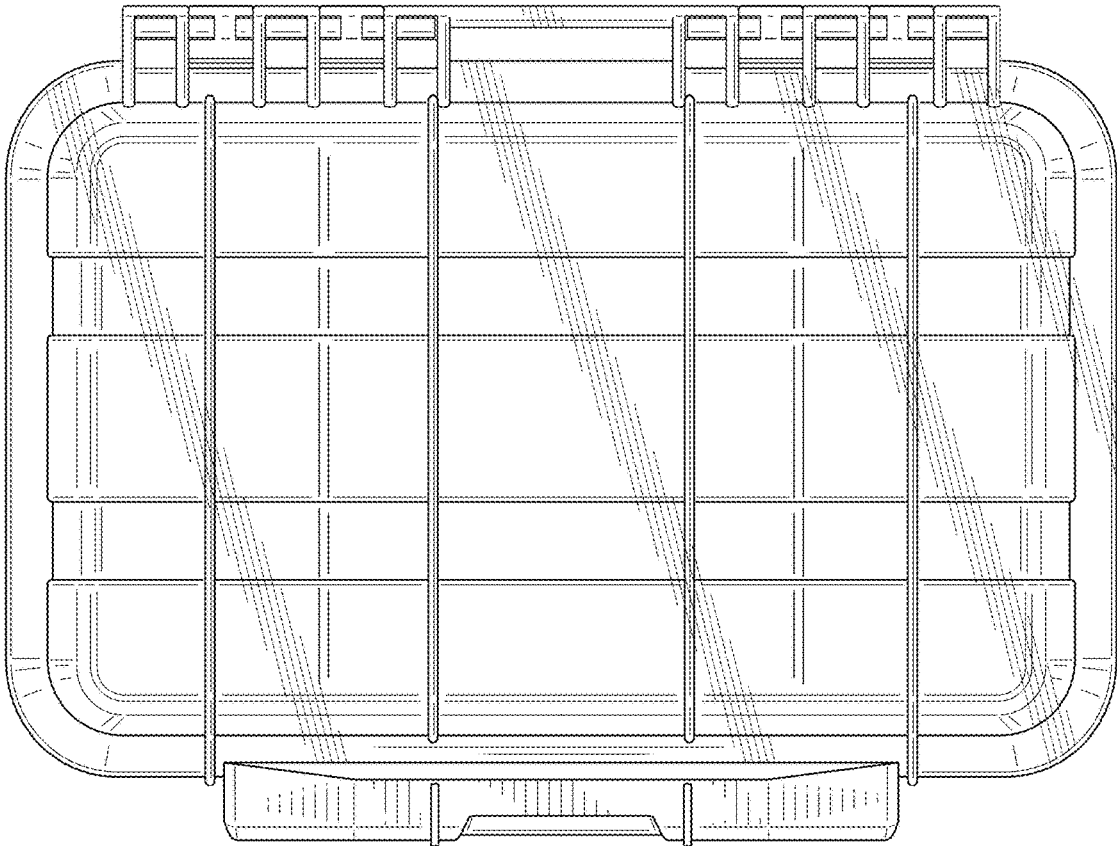


FIG. 15

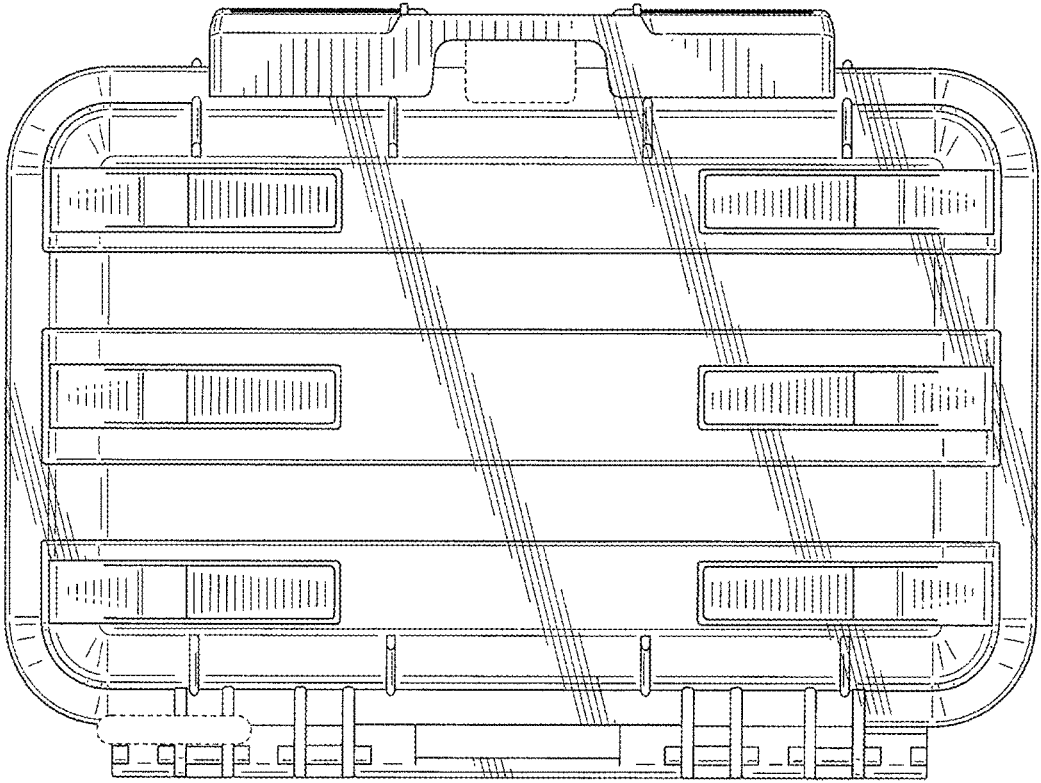


FIG. 16