



US00D994546S

(12) **United States Design Patent**
Wang

(10) **Patent No.:** **US D994,546 S**

(45) **Date of Patent:** **** Aug. 8, 2023**

(54) **ELECTRIC BICYCLE FRAME**

(71) Applicant: **Qingyu Wang**, Henan (CN)

(72) Inventor: **Qingyu Wang**, Henan (CN)

(**) Term: **15 Years**

(21) Appl. No.: **29/871,537**

(22) Filed: **Feb. 22, 2023**

(51) **LOC (14) Cl.** **12-11**

(52) **U.S. Cl.**
USPC **D12/111**

(58) **Field of Classification Search**
USPC D12/111, 117, 406, 407
CPC . B62K 3/00; B62K 3/005; B62K 9/00; B62K
19/00; B62K 19/02
See application file for complete search history.

(56) **References Cited**

U.S. PATENT DOCUMENTS

D586,702 S *	2/2009	Morris	D12/111
D656,455 S	3/2012	Sautter et al.		
D663,675 S	7/2012	Sautter et al.		
D665,708 S *	8/2012	Uimonen	D12/111
D685,684 S	7/2013	Domahidy		
D719,901 S	12/2014	Krusinski et al.		
9,371,105 B2 *	6/2016	Chou	B62K 19/06
D842,761 S *	3/2019	Uimonen	D12/111
D885,985 S *	6/2020	Tan	D12/111
D886,686 S	6/2020	Uimonen et al.		
D901,336 S *	11/2020	Kuehne	D12/111
D906,183 S	12/2020	Uimonen et al.		
D918,777 S	5/2021	Uimonen et al.		
D919,483 S	5/2021	Uimonen et al.		
D922,253 S *	6/2021	Tan	D12/111
D922,254 S *	6/2021	Tan	D12/111
D978,025 S *	2/2023	Zemskov	D12/111
D978,733 S *	2/2023	Sondors	D12/111
D978,734 S *	2/2023	Zemskov	D12/111

OTHER PUBLICATIONS

“City Cruiser Electric Bike” City Cruiser., posted date Aug. 4, 2022 [online], [retrieved on Mar. 20, 2023]. Retrieved from the Internet <URL:https://www.amazon.com/City-Cruiser-Bushless-Removable-Lithium-Ion/dp/B0B8NKL9ZS> (Year: 2022).*

“USIE C91 Electric Bike for Adults” USIE., posted date Dec. 15, 2022 [online], [retrieved on Mar. 20, 2023]. Retrieved from the Internet <URL:https://www.amazon.com/Electric-Bicycles-Removable-Mountain-Suspension/dp/B0BQ732FR7> (Year: 2022).*

“Fucare Gemini X review” Electrek., posted date Jul. 8, 2022 [online], [retrieved on Mar. 20, 2023]. Retrieved from the Internet <URL:https://electrek.co/2022/07/08/fucare-gemini-x-review-electric-bike/> (Year: 2022).*

* cited by examiner

Primary Examiner — Darlington Ly

Assistant Examiner — Nasim Abdulaziz Ali

(57) **CLAIM**

The ornamental design for an electric bicycle frame, as shown and described.

DESCRIPTION

FIG. 1 is a usage state diagram of an electric bicycle frame. FIG. 2 is a perspective view of an electric bicycle frame showing my new design.

FIG. 3 is a front view of an electric bicycle frame.

FIG. 4 is a rear view of an electric bicycle frame.

FIG. 5 is a left side view of an electric bicycle frame.

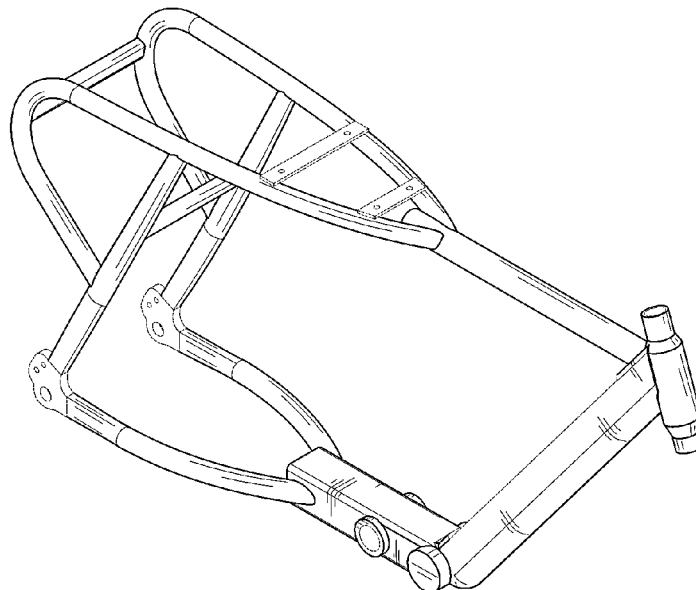
FIG. 6 is a right side view of an electric bicycle frame.

FIG. 7 is a top view of an electric bicycle frame; and,

FIG. 8 is a bottom view of an electric bicycle frame.

The broken lines illustrate portions of the electric bicycle frame that form no part of the claimed design. The use of broken lines in FIG. 1 indicates that the environmental structure and form no part of the claimed design.

1 Claim, 8 Drawing Sheets



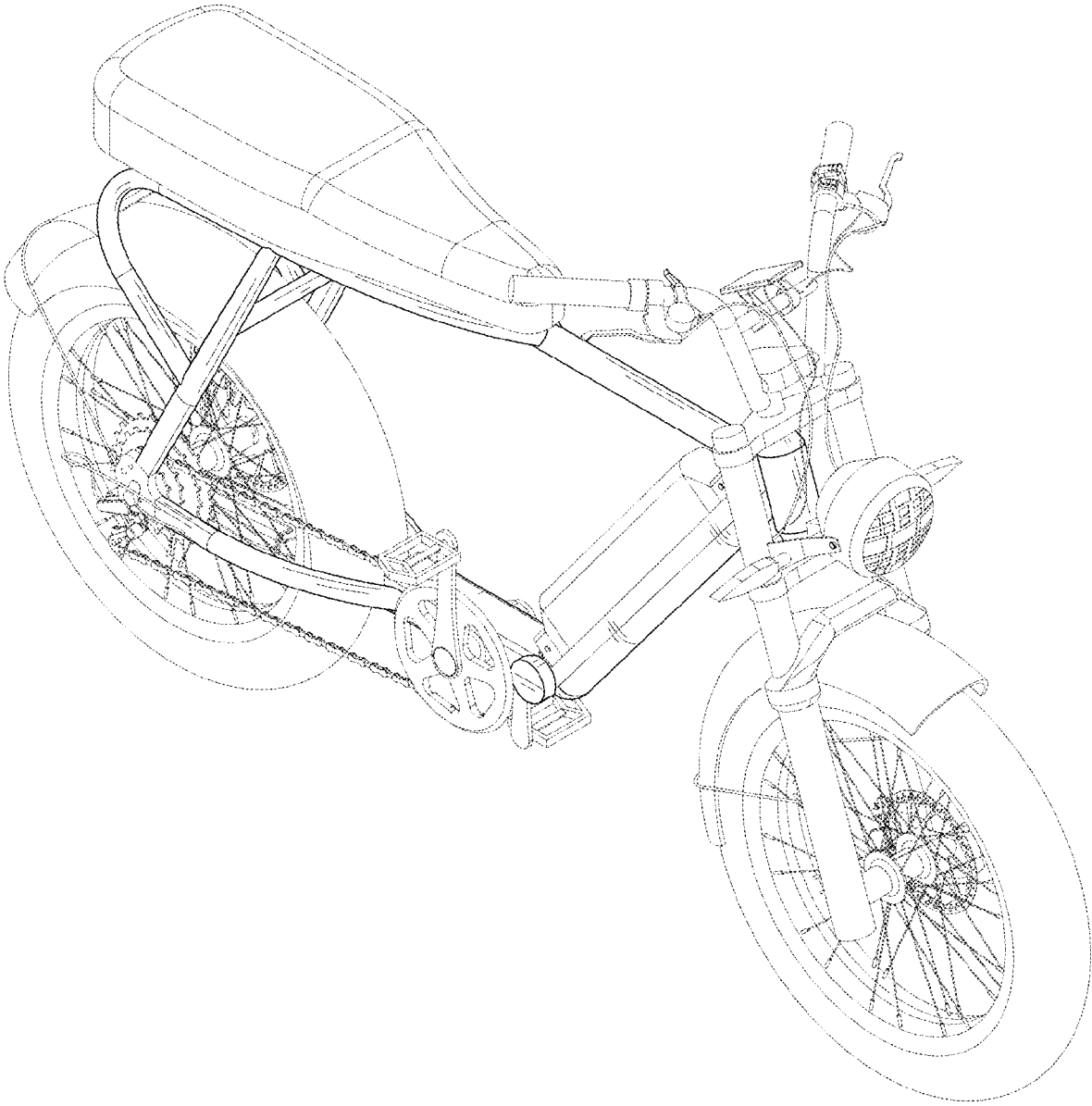


FIG. 1

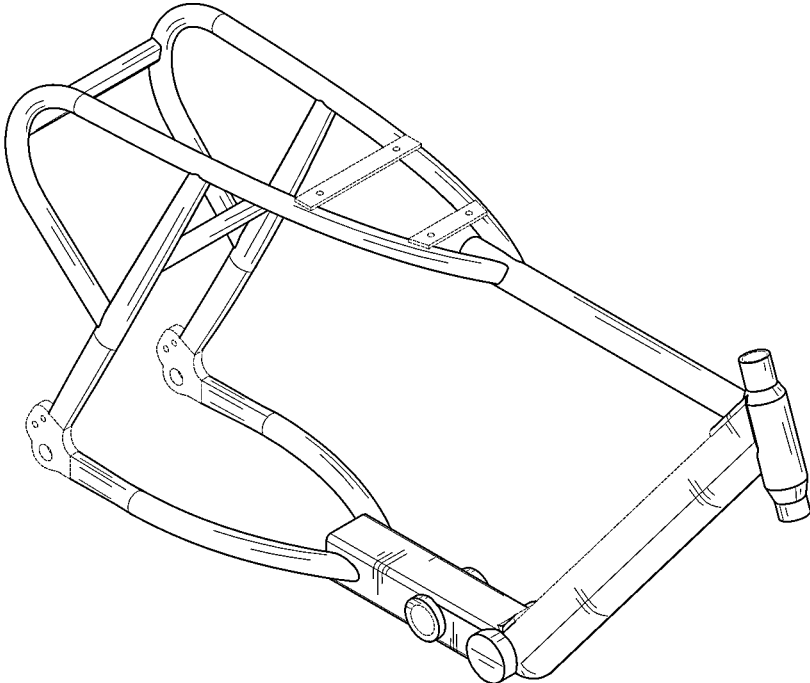


FIG. 2

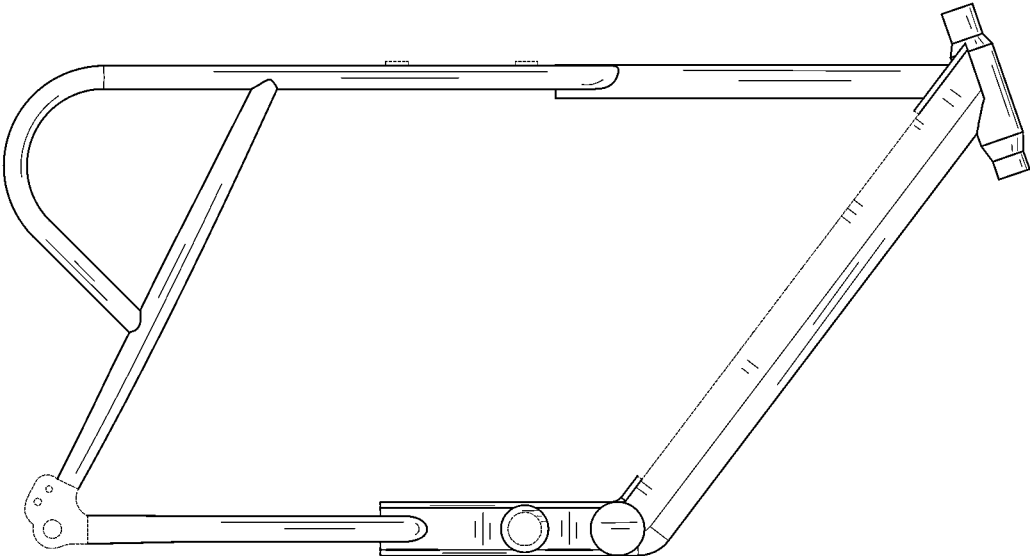


FIG. 3

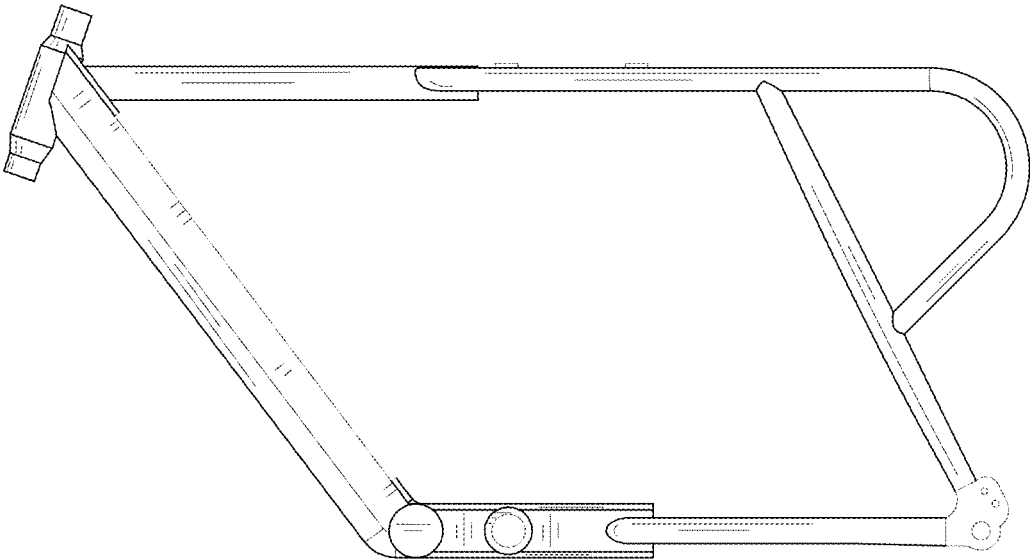


FIG. 4

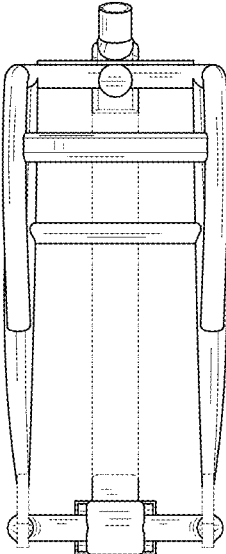


FIG. 5

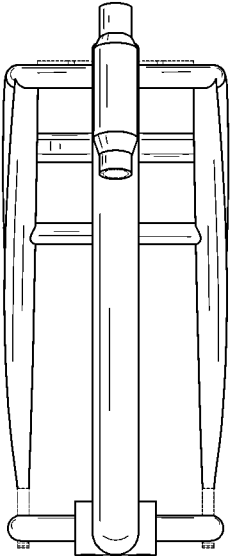


FIG. 6

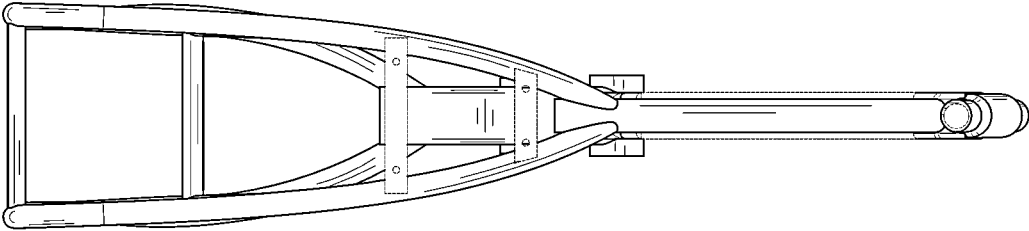


FIG. 7

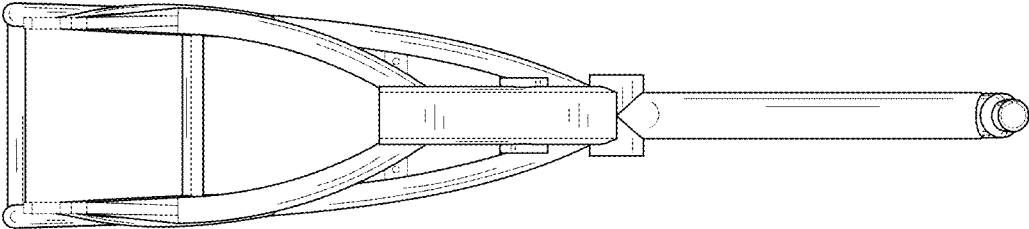


FIG. 8