



US00D736722S

(12) **United States Design Patent**
Chu

(10) **Patent No.:** **US D736,722 S**

(45) **Date of Patent:** **** Aug. 18, 2015**

- (54) **TOUCH SWITCH**
- (71) Applicant: **Ching-Hsiung Chu**, Taipei (TW)
- (72) Inventor: **Ching-Hsiung Chu**, Taipei (TW)
- (**) Term: **14 Years**
- (21) Appl. No.: **29/481,905**
- (22) Filed: **Feb. 12, 2014**
- (51) **LOC (10) Cl.** **13-03**
- (52) **U.S. Cl.**
USPC **D13/171**
- (58) **Field of Classification Search**
USPC D13/171, 173, 174
CPC H01H 3/022; H01H 3/12; H01H 3/122;
H01H 9/02; H01H 9/16; H01H 9/161; H01H
9/18; H01H 9/181; H01H 9/182; H01H
13/023; H01H 13/04; H01H 13/14; H01H
13/20; H01H 13/3086; H01H 25/065; H01H
2221/00; H03K 17/96; H03K 17/962; H03K
17/9222; H03K 17/964; H03K 17/9645;
H03K 17/9647; H03K 2217/96066; H03K
2217/960785

See application file for complete search history.

(56) **References Cited**

U.S. PATENT DOCUMENTS

3,676,630	A *	7/1972	Dennison	200/295
3,740,501	A *	6/1973	Kiessling et al.	200/16 R
4,419,555	A *	12/1983	Kim	200/314
4,644,450	A *	2/1987	Caplin et al.	362/147
4,733,035	A *	3/1988	Ohashi	200/568
D362,841	S *	10/1995	Roza	D13/171
D377,337	S *	1/1997	Schaeffer	D13/171

6,016,020	A *	1/2000	Cline et al.	307/125
6,124,556	A *	9/2000	Thalhammer	200/16 R
D469,411	S *	1/2003	Decosse	D13/174
6,930,267	B2 *	8/2005	Chou	200/520
7,358,654	B2 *	4/2008	Aromin	310/348
7,520,628	B1 *	4/2009	Sloan et al.	362/101
7,884,299	B2 *	2/2011	Glew	200/600
D645,005	S *	9/2011	Menheere	D13/171
D725,612	S *	3/2015	Schlegel et al.	D13/174
2005/0061651	A1 *	3/2005	Chou	200/520
2006/0066427	A1 *	3/2006	Miller	335/132
2006/0209484	A1 *	9/2006	Roell et al.	361/118
2007/0193867	A1 *	8/2007	Lorenzo Riera et al.	200/314
2009/0116239	A1 *	5/2009	Wu et al.	362/253
2010/0220495	A1 *	9/2010	Truesdale et al.	362/581
2013/0001058	A1 *	1/2013	Bowler et al.	200/600
2013/0162417	A1 *	6/2013	Chu	340/407.2
2013/0241579	A1 *	9/2013	Takahashi	324/663
2014/0042002	A1 *	2/2014	Chu	200/313

* cited by examiner

Primary Examiner — Selina Sikder

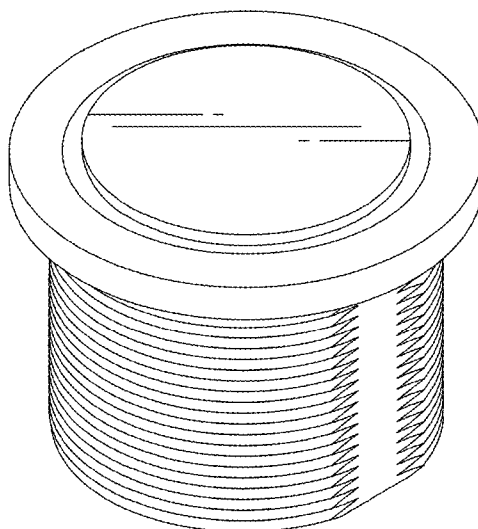
(57) **CLAIM**

The ornamental design for touch switch, as show and described.

DESCRIPTION

FIG. 1 is a perspective view of touch switch showing my new design;
 FIG. 2 is a front elevational view thereof;
 FIG. 3 is a rear elevational view thereof;
 FIG. 4 is a left side view thereof;
 FIG. 5 is a right side view thereof;
 FIG. 6 is a top plan view thereof; and,
 FIG. 7 is a bottom plan view thereof.

1 Claim, 4 Drawing Sheets



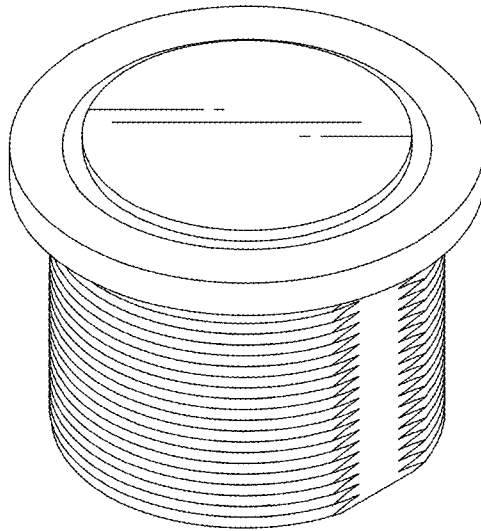


FIG. 1

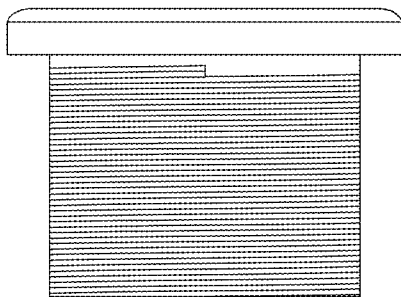


FIG. 2

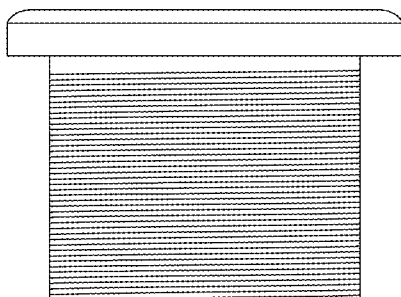


FIG. 3

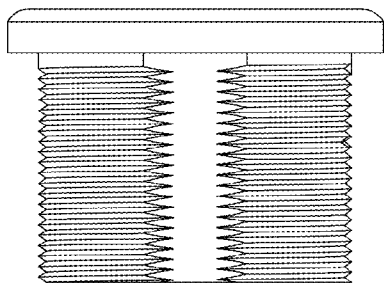


FIG. 4

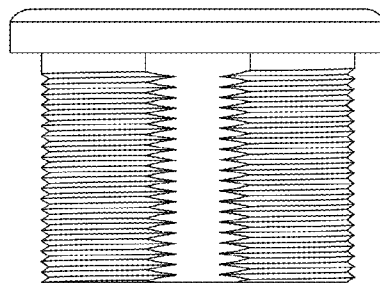


FIG. 5

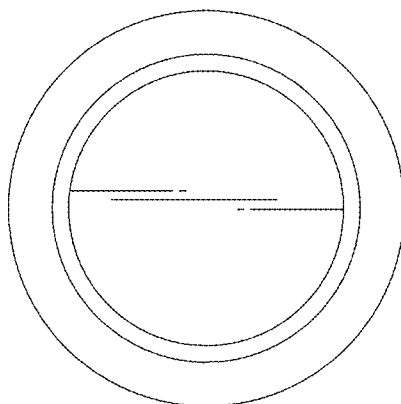


FIG. 6

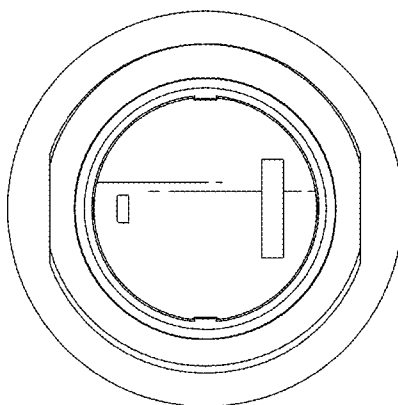


FIG. 7