



US00D825229S

(12) **United States Design Patent**
Massaud

(10) **Patent No.:** **US D825,229 S**

(45) **Date of Patent:** **** Aug. 14, 2018**

(54) **CABINET**

(71) Applicant: **POLTRONA FRAU S.p.A.**, Meda (IT)

(72) Inventor: **Jean-Marie Massaud**, Paris (FR)

(73) Assignee: **POLTRONA FRAU S.p.A.**, Meda (IT)

(**) Term: **15 Years**

(21) Appl. No.: **29/590,449**

(22) Filed: **Jan. 10, 2017**

(30) **Foreign Application Priority Data**

Jul. 13, 2016 (EP) 003304625

(51) **LOC (11) Cl.** **06-06**

(52) **U.S. Cl.** **D6/675**

USPC **D6/675**

(58) **Field of Classification Search**

USPC D6/675, 675.1, 675.2, 672, 673

CPC A47F 5/0018; A47B 57/58; A47B 43/00

See application file for complete search history.

(56) **References Cited**

U.S. PATENT DOCUMENTS

D292,458 S *	10/1987	Doezema	D6/691.8
D465,110 S *	11/2002	Cain	D6/675.1
D554,393 S *	11/2007	Yalif	D6/661
D559,585 S *	1/2008	Lara	D6/657
D560,930 S *	2/2008	Woodward	D6/671.1
D575,555 S *	8/2008	Lewis	D6/675.1

D605,874 S *	12/2009	Zambelli	D6/661
D637,834 S *	5/2011	Lewis	D6/671.1
D644,853 S *	9/2011	Becker	D6/661
D667,653 S *	9/2012	Lenney	D6/671.1
D715,077 S *	10/2014	Everson	D6/675.1
D718,956 S *	12/2014	Heiser	D6/661
D742,142 S *	11/2015	Everson	D6/675.1
D767,752 S *	9/2016	Davis	D23/403
D793,776 S *	8/2017	Davis	D6/675

* cited by examiner

Primary Examiner — Kelley Donnelly

(74) *Attorney, Agent, or Firm* — Hogan Lovells US LLP

(57) **CLAIM**

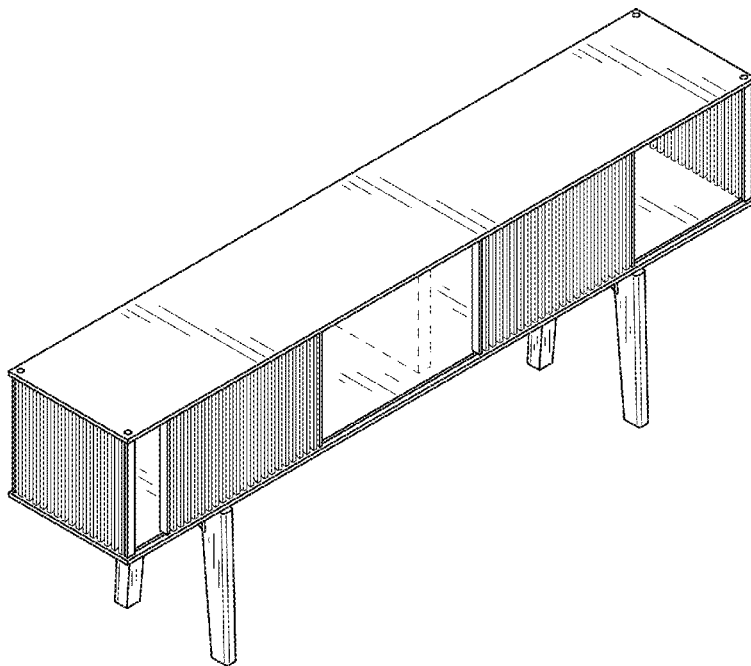
The ornamental design for a cabinet, as shown and described.

DESCRIPTION

FIG. 1 is a perspective view of a cabinet showing the design; FIG. 2 is a front view thereof; FIG. 3 is a back view thereof; FIG. 4 is a right side view thereof; FIG. 5 is a left side view thereof; FIG. 6 is a top view thereof; and, FIG. 7 is a bottom view thereof.

The broken lines showing the rectangle dividers that can be seen in the interior of the cabinet, and the broken lines showing the bottom features of the cabinet are included for the purpose of illustrating environment and form no part of the claimed design.

1 Claim, 4 Drawing Sheets



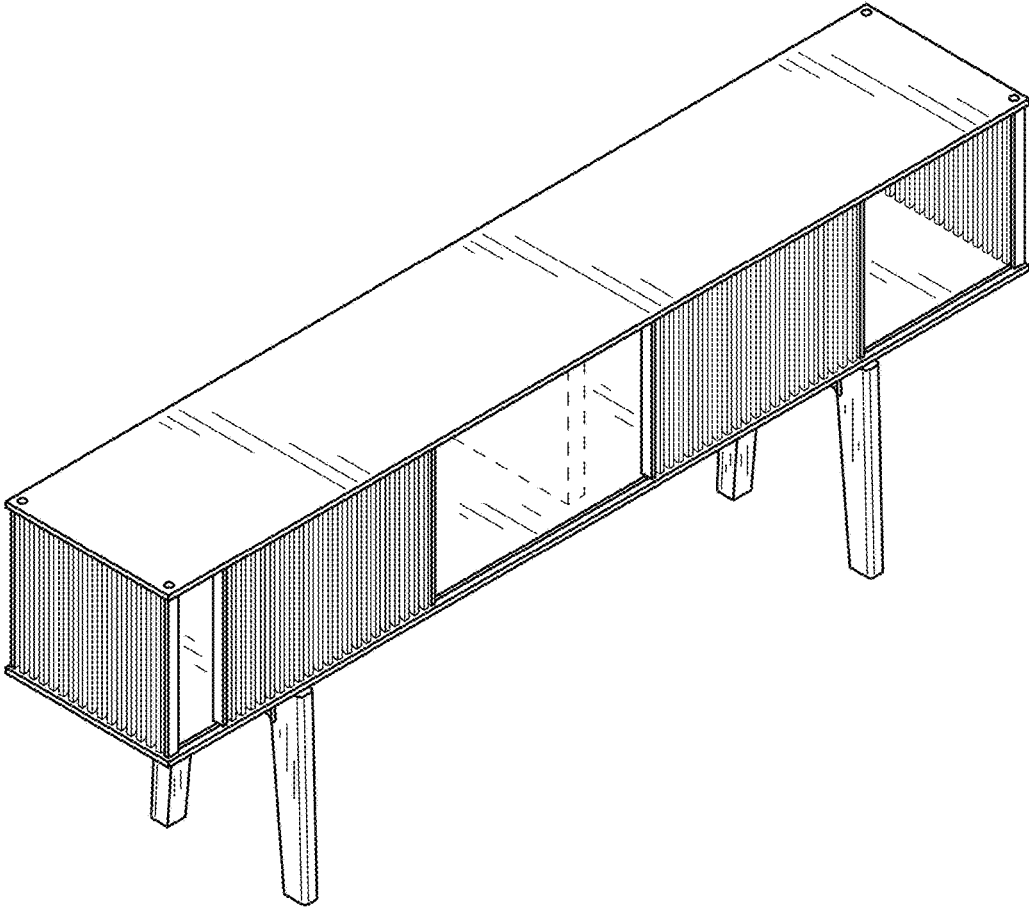


FIG.1

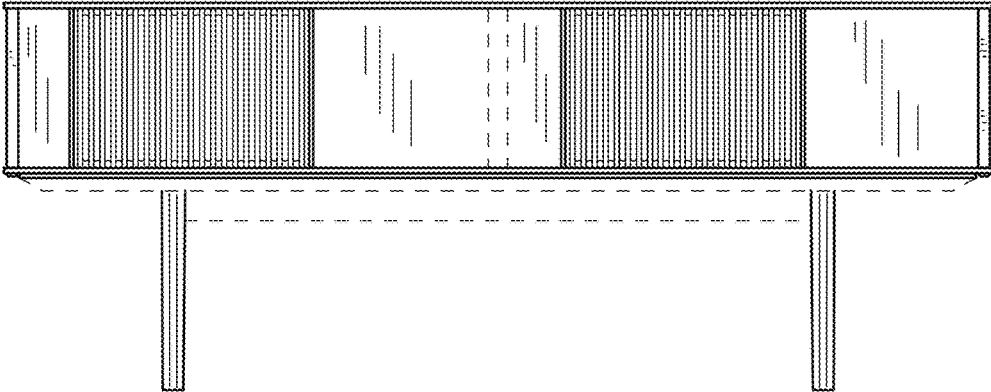


FIG. 2

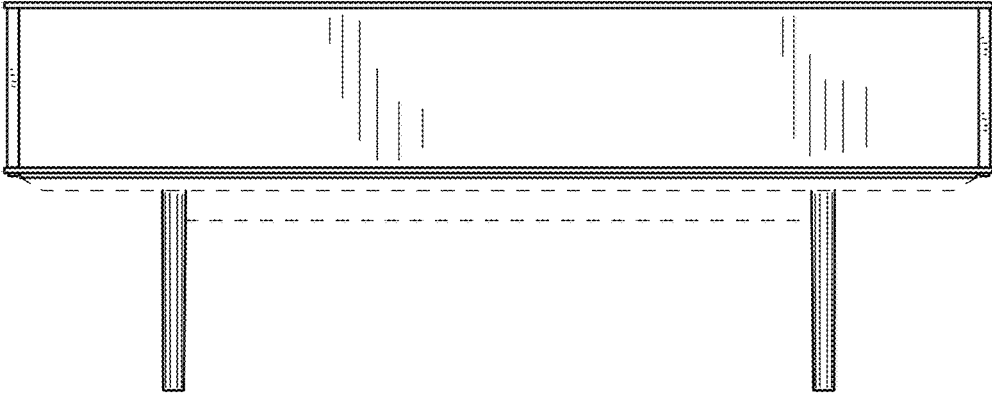


FIG. 3

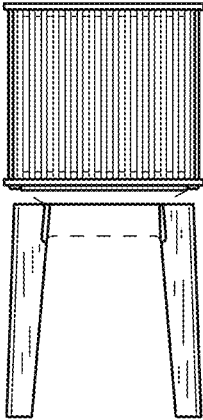


FIG.4

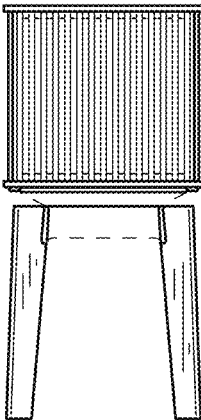


FIG.5

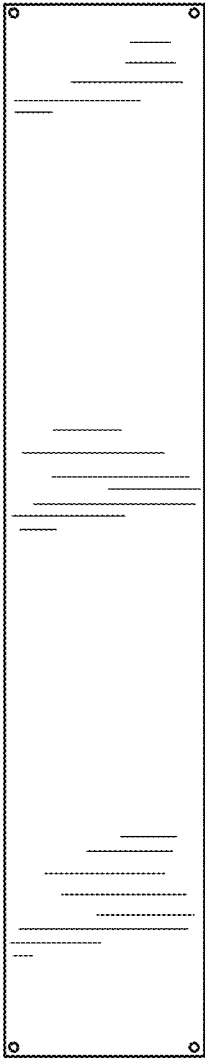


FIG. 6

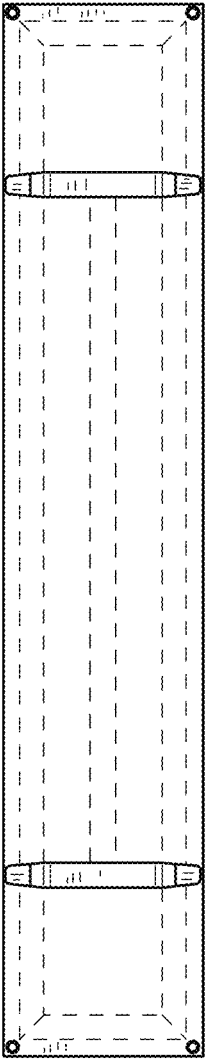


FIG. 7