



US00D650508S

(12) **United States Design Patent**
Wassel et al.

(10) **Patent No.:** **US D650,508 S**

(45) **Date of Patent:** **** Dec. 13, 2011**

- (54) **FACETED ARC LIGHT**
- (75) Inventors: **James J. Wassel**, Fombell, PA (US); **R. Douglas Falk**, Fombell, PA (US)
- (73) Assignee: **Appalachian Lighting Systems, Inc.**, Ellwood City, PA (US)

| | | | |
|-------------------|---------|----------------------|---------|
| D543,652 S * | 5/2007 | Hargreaves | D26/76 |
| D569,026 S * | 5/2008 | Silver | D26/76 |
| D608,929 S * | 1/2010 | Castelli | D26/76 |
| D608,932 S * | 1/2010 | Castelli | D26/76 |
| D611,183 S * | 3/2010 | Duarte | D26/76 |
| D612,088 S * | 3/2010 | Wassel et al. | D26/76 |
| D616,138 S * | 5/2010 | Lasthein et al. | D26/76 |
| 2010/0254132 A1 * | 10/2010 | Wassel et al. | 362/235 |

* cited by examiner

(**) Term: **14 Years**

Primary Examiner — Angela J Lee

(21) Appl. No.: **29/342,286**

(74) *Attorney, Agent, or Firm* — Arent Fox LLP

(22) Filed: **Aug. 21, 2009**

(51) **LOC (9) Cl.** **26-03**

(52) **U.S. Cl.** **D26/76**

(58) **Field of Classification Search** D26/75–85,
D26/88, 89, 72, 25, 3; 362/555, 14, 148,
362/150, 217.01, 217.05, 217.06, 217.07,
362/217.08, 217.09, 217.1, 217.12, 217.13,
362/260, 296.01, 404

See application file for complete search history.

(56) **References Cited**

U.S. PATENT DOCUMENTS

| | | | |
|--------------|---------|--------------------|--------|
| D364,478 S * | 11/1995 | Pesau | D26/76 |
| D397,819 S * | 9/1998 | Thornton, Jr. | D26/77 |
| D463,601 S * | 9/2002 | Ludwig | D26/76 |
| D465,049 S * | 10/2002 | Ludwig | D26/78 |
| D483,510 S * | 12/2003 | Fritze et al. | D26/75 |
| D513,439 S * | 1/2006 | Hetfield | D26/76 |

(57) **CLAIM**

The ornamental design for a faceted ARC light, as shown and described.

DESCRIPTION

FIG. 1 is a perspective view of a faced ARC light in accordance with the present invention;

FIG. 2 is a bottom view of the faceted ARC light of FIG. 1;

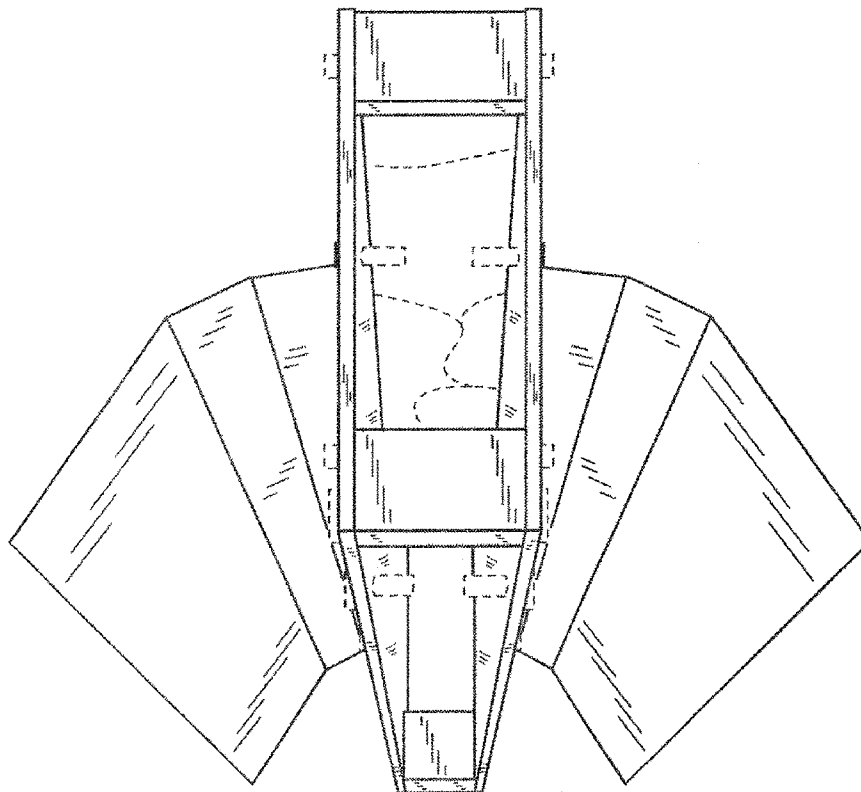
FIG. 3 is a top view of the faceted ARC light of FIG. 1;

FIG. 4 is a side view of the faceted ARC light of FIG. 1; and,

FIG. 5 is a partial side-bottom perspective view of the faceted ARC light of FIG. 1.

The portions of the faceted ARC light shown in broken lines form no part of the claimed design.

1 Claim, 5 Drawing Sheets



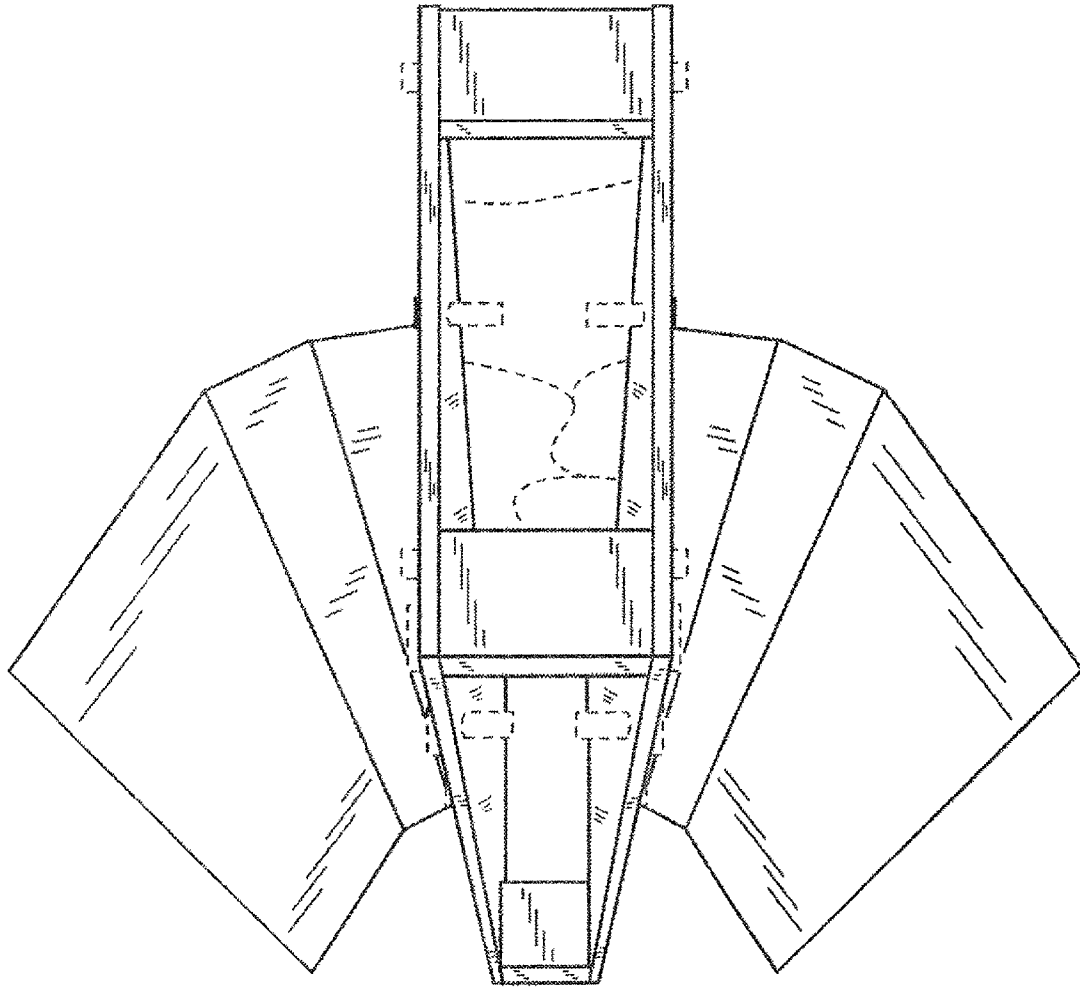


FIG. 1

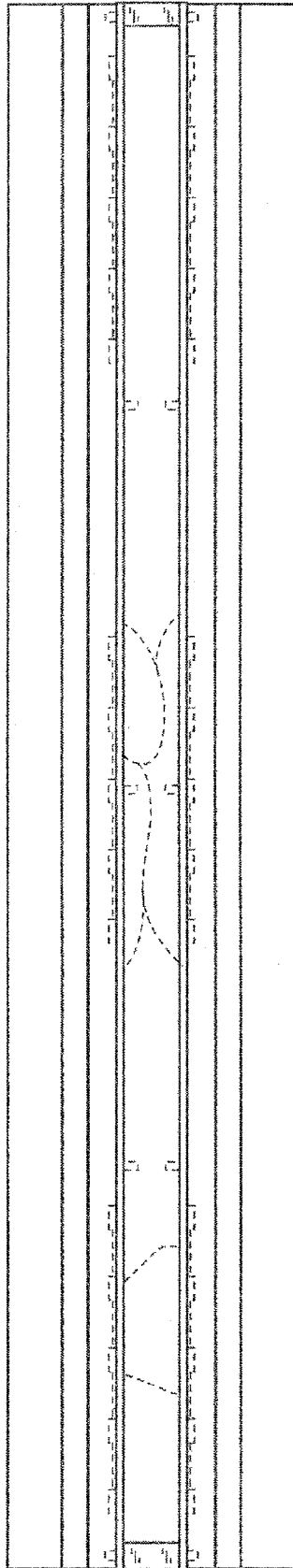


FIG.2

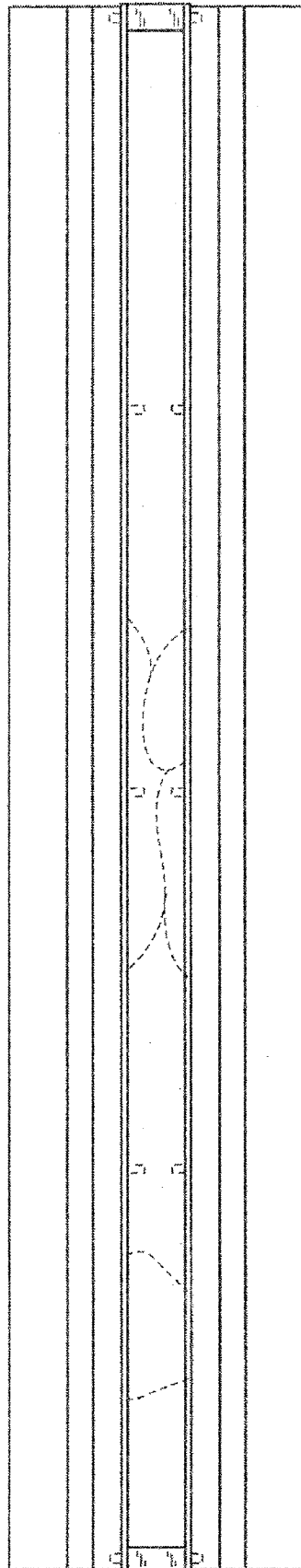


FIG.3

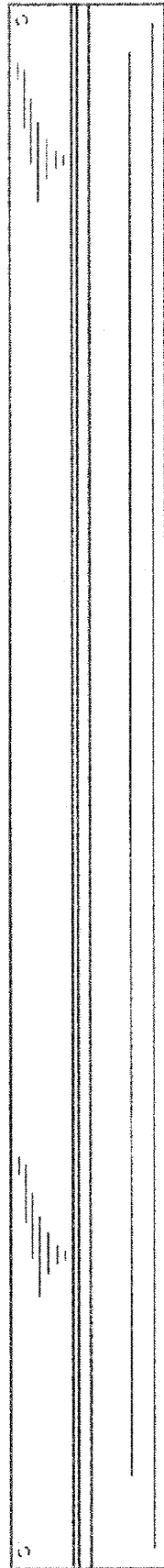


FIG.4

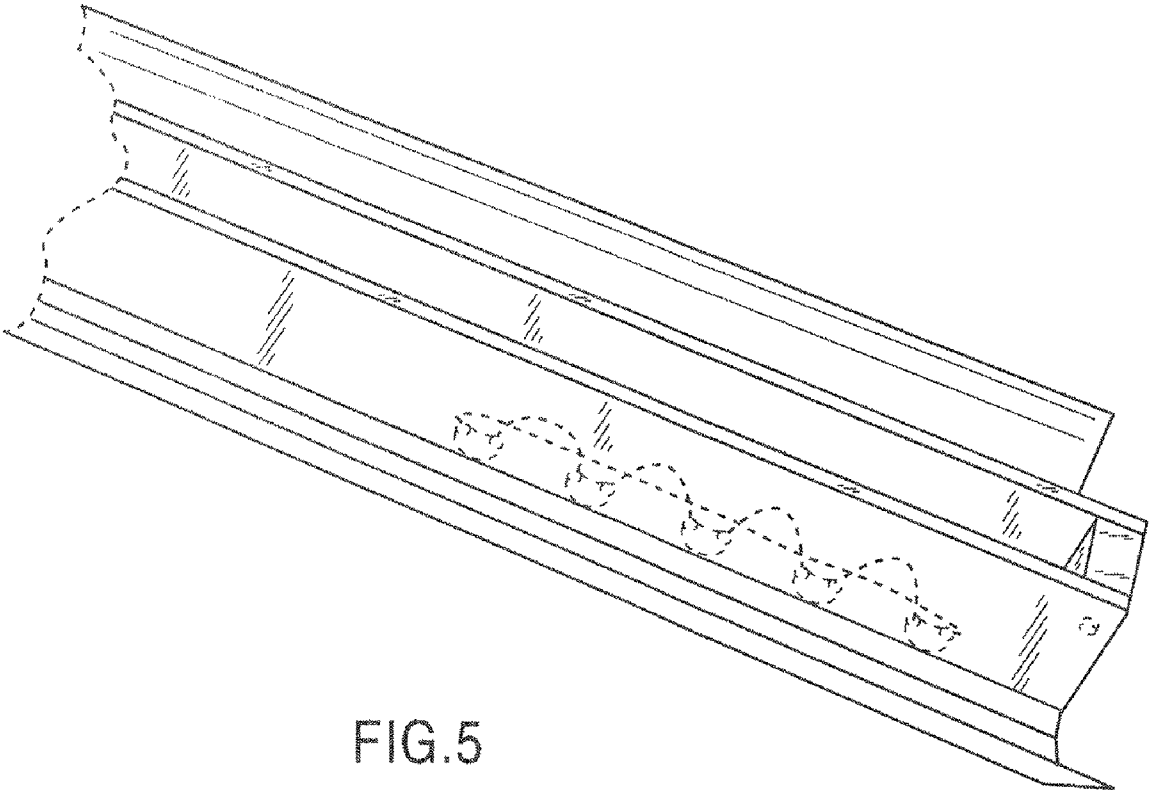


FIG.5