

(12) INTERNATIONAL APPLICATION PUBLISHED UNDER THE PATENT COOPERATION TREATY (PCT)

(19) World Intellectual Property Organization
International Bureau



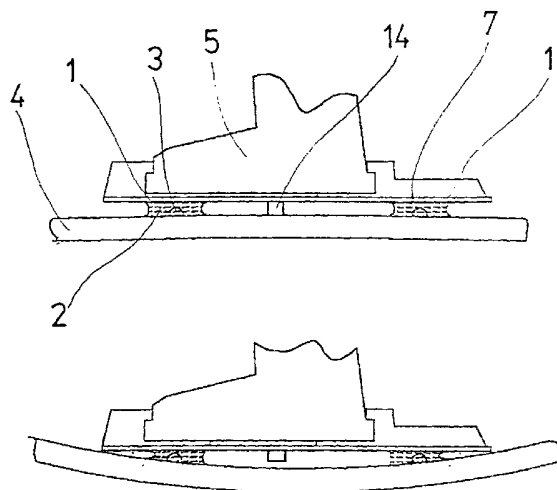
(43) International Publication Date
23 November 2000 (23.11.2000)

PCT

(10) International Publication Number
WO 00/069980 A3

- (51) International Patent Classification⁷: A63C 5/075, 9/00
- (21) International Application Number: PCT/CZ00/00032
- (22) International Filing Date: 10 May 2000 (10.05.2000)
- (25) Filing Language: English
- (26) Publication Language: English
- (30) Priority Data:
PV 1718-99 14 May 1999 (14.05.1999) CZ
- (71) Applicant and
(72) Inventor: TRNKA, Milan [CZ/CZ]; Cyrila Boudy 1584,
272 01 Kladno (CZ).
- (74) Agent: BELFÍN, Vladimír; P.O. Box 117, 272 80 Kladno
(CZ).
- (81) Designated States (*national*): AU, BA, BG, CA, CN, EE, GB, HR, HU, IL, JP, KR, LT, LV, MK, NO, NZ, PL, RO, RU, SI, SK, TR, UA, US, YU.
- (84) Designated States (*regional*): European patent (AT, BE, CH, CY, DE, DK, ES, FI, FR, GB, GR, IE, IT, LU, MC, NL, PT, SE).
- Published:
— with international search report
- (88) Date of publication of the international search report:
24 October 2002
- For two-letter codes and other abbreviations, refer to the "Guidance Notes on Codes and Abbreviations" appearing at the beginning of each regular issue of the PCT Gazette.*

(54) Title: CONNECTOR PLATE FOR BINDINGS



(57) Abstract: The connector plate for ski bindings of snow skis and snowboards consists of two connecting segments (1), constructed from an elastic layer (2) made of an elastic material, for example rubber or silicon, within which located along its lateral axis which lies perpendicular to the longitudinal axis of the ski (4) or snowboard, is at least one solid supporting element (3), which divides the elastic layer (2) into two regions, one region is compressed and the other expands during the flexing of the ski (4) or snowboard, in addition the construction allows for longitudinal movement in the elastic layer (2) of the connecting segments (1), all of which takes place while both connecting segments are interconnected via their upper surface.



WO 00/069980 A3

INTERNATIONAL SEARCH REPORT

International Application No
PCT/CZ 00/00032

A. CLASSIFICATION OF SUBJECT MATTER
IPC 7 A63C5/075 A63C9/00

According to International Patent Classification (IPC) or to both national classification and IPC

B. FIELDS SEARCHED

Minimum documentation searched (classification system followed by classification symbols)
IPC 7 A63C

Documentation searched other than minimum documentation to the extent that such documents are included in the fields searched

Electronic data base consulted during the international search (name of data base and, where practical, search terms used)

EPO-Internal

C. DOCUMENTS CONSIDERED TO BE RELEVANT

Category °	Citation of document, with indication, where appropriate, of the relevant passages	Relevant to claim No.
X A	FR 2 768 937 A (ROSSIGNOL SA) 2 April 1999 (1999-04-02) the whole document ---	1,2,7, 14,15,18 4,12,16
A	EP 0 469 452 A (NORDICA SPA) 5 February 1992 (1992-02-05) the whole document ---	1
A	US 5 143 395 A (MAYR BERNHARD) 1 September 1992 (1992-09-01) the whole document ---	1,17,18
A	US 5 671 939 A (PINEAU DAVID G) 30 September 1997 (1997-09-30) the whole document ---	1
	-/--	

Further documents are listed in the continuation of box C.

Patent family members are listed in annex.

° Special categories of cited documents:

- *A* document defining the general state of the art which is not considered to be of particular relevance
- *E* earlier document but published on or after the international filing date
- *L* document which may throw doubts on priority claim(s) or which is cited to establish the publication date of another citation or other special reason (as specified)
- *O* document referring to an oral disclosure, use, exhibition or other means
- *P* document published prior to the international filing date but later than the priority date claimed

- *T* later document published after the international filing date or priority date and not in conflict with the application but cited to understand the principle or theory underlying the invention
- *X* document of particular relevance; the claimed invention cannot be considered novel or cannot be considered to involve an inventive step when the document is taken alone
- *Y* document of particular relevance; the claimed invention cannot be considered to involve an inventive step when the document is combined with one or more other such documents, such combination being obvious to a person skilled in the art.
- *Z* document member of the same patent family

Date of the actual completion of the international search

Date of mailing of the international search report

5 October 2000

12/10/2000

Name and mailing address of the ISA
European Patent Office, P.B. 5818 Patentlaan 2
NL - 2280 HV Rijswijk
Tel. (+31-70) 340-2040, Tx. 31 651 epo nl,
Fax: (+31-70) 340-3016

Authorized officer
Verelst, P

INTERNATIONAL SEARCH REPORT

International Application No
PCT/CZ 00/00032

C.(Continuation) DOCUMENTS CONSIDERED TO BE RELEVANT		
Category °	Citation of document, with indication, where appropriate, of the relevant passages	Relevant to claim No.
A	DE 198 36 515 A (ATOMIC AUSTRIA GMBH) 18 February 1999 (1999-02-18) the whole document -----	1

INTERNATIONAL SEARCH REPORT
Information on patent family members

International Application No
PCT/CZ 00/00032

Patent document cited in search report	Publication date	Patent family member(s)	Publication date
FR 2768937 A	02-04-1999	NONE	
EP 0469452 A	05-02-1992	IT 1242750 B AT 121959 T DE 69109394 D DE 69109394 T JP 4250181 A US 5167424 A	17-05-1994 15-05-1995 08-06-1995 07-09-1995 07-09-1992 01-12-1992
US 5143395 A	01-09-1992	AT 398039 B AT 82090 A AT 115876 T AT 109016 T CA 2039810 A,C CA 2039831 A DE 59102306 D DE 59103953 D EP 0454655 A EP 0451132 A JP 6190101 A JP 5200139 A US 5199734 A	25-08-1994 15-01-1994 15-01-1995 15-08-1994 06-10-1991 06-10-1991 01-09-1994 02-02-1995 30-10-1991 09-10-1991 12-07-1994 10-08-1993 06-04-1993
US 5671939 A	30-09-1997	EP 0814880 A WO 9628225 A	07-01-1998 19-09-1996
DE 19836515 A	18-02-1999	NONE	